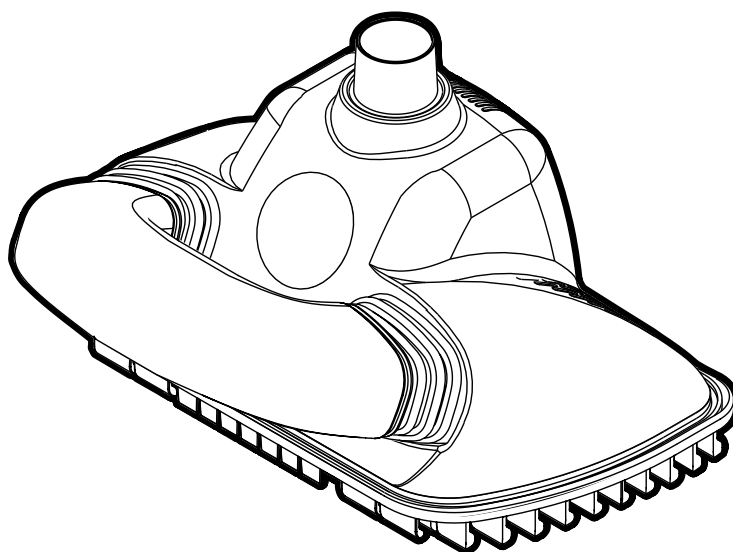


STA-RITE®

PoolShark® Vacuum

O W N E R ' S M A N U A L



INSTALLATION, OPERATION & PARTS



Sta-Rite Pool/Spa Group

293 Wright Street, Delavan, WI 53115

International: 262-728-5551, FAX: 262-728-7550

www.starite.com

Union City, TN • Delavan, WI • Mississauga, ON • Murrieta, CA

© 2005

S788 (4/12/05)

PLEASE READ THE FOLLOWING BEFORE INSTALLING YOUR NEW AUTOMATIC POOL CLEANER!

About Safety:

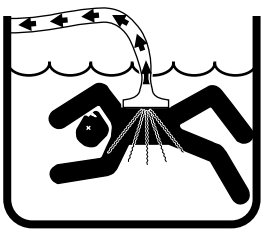
⚠ This is the safety alert symbol. When you see this symbol on your system or in this manual, look for one of the following signal words and be alert to the potential for personal injury.

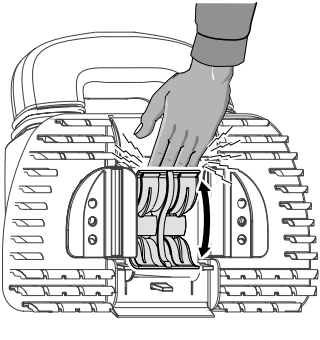
⚠ DANGER warns about hazards that **will** cause death, serious personal injury, or major property damage if ignored.

⚠ WARNING warns about hazards that **can** cause death, serious personal injury, or major property damage if ignored.

⚠ CAUTION warns about hazards that **will** or **can** cause minor personal injury or property damage if ignored.

Carefully read and follow all safety instructions in this manual and on equipment. Keep safety labels in good condition; replace if missing or damaged.

<p>⚠ WARNING</p> 	<p>Hazardous suction. Can trap and tear hair or body parts. Can cause drowning.</p> <p>Do not play with cleaner or hose or apply to body. Do not let children use or play with pool cleaner.</p> <p>Stop pump before attempting to clean unit. Do not allow swimmers in pool while pool cleaner is operating.</p>
---	---

	<p>⚠ CAUTION Oscillator may injure hands or fingers. Stop pump before attempting to clean out pool cleaner head.</p> <p>⚠ WARNING Hose can trip or entangle swimmers. Do not allow swimmers in pool while pool cleaner is operating.</p>
---	---

ABOUT YOUR POOL AND FILTER SYSTEM:

⚠ Before installing your cleaner, review and understand all warnings and safety information on the inside front cover of this manual.

Pre-installation check list

Before installing the cleaner in a vinyl liner pool:

Check liner closely for signs of deterioration or damage from age, chemicals, pool wall damage, etc. If any damage is found, have a qualified pool professional make all necessary repairs. Also, if there are stones, roots, etc., under the liner, remove them before installing the cleaner.

Before installing the cleaner in a gunite pool or a pool that is partially or completely tiled:

Repair loose tiles and tighten any loose light rings.

Before installing the cleaner, clean your filter system:

Make sure you have cleaned the filter, including backwashing, rinsing, and emptying all baskets. A clean system is necessary for proper cleaner operation and coverage.

Before installing the cleaner, fill the hose with water:

Always make sure the cleaner head is submerged and the hose is full of water before connecting the hose to the filtration system (whether through a skimmer or dedicated wall fitting). Air in the system can damage the pump through dry running and overheating.

Before installing the cleaner, understand cleaner coverage:

The cleaner is designed to rid your pool of debris in approximately 4-6 hours. Less time could be needed, depending on the pool size.

The cleaner was not designed to automatically clean steps or swimouts or to work under a solar cover. It was also not designed to do initial cleanup for a new pool or when opening your pool for the season.

⚠ WARNING Suction entrapment, injury, and drowning hazard. If your pool has a dedicated suction port (“vac port”) for vacuuming or for an automatic pool cleaner, it must be covered when not in use. A spring loaded safety cover (a “vac port fitting”) is included with your cleaner. Install it on the suction port to prevent entrapment and injury. If the cover provided does not fit, purchase one that does from your local pool store and install it instead. The cover should conform to IAPMO SPS4-99A.

CONTENTS:

Safety	2
Installation	3-6
Maintenance	6
About "Fine-tuning" Vacuum Adjustments and Connections	7
Disassembly	8-9
Repair Parts	10-11
Troubleshooting	12
Warranty	13

INSTALLATION

Please use the convenient, water resistant, **"Installation Instructions"** card.

Step 1: Install vacuum port door fitting

If there is no spring-loaded door on the vacuum port, install the included cover.

If your pool only has a skimmer, and no dedicated vacuum port, proceed to Step 2.

1. Screw the fitting into the port opening.
2. Orient the fitting so the arrow on the door points up.

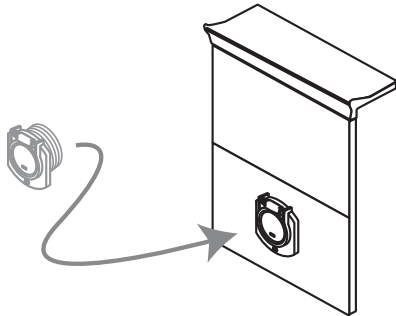


Figure 1

3. Secure the cover by tightening the allen-screw below the door.

Step 2: Straighten hose (Figure 2)

Remove and uncoil the hoses from the carton. Lay them out in the sunlight, flat and straight.

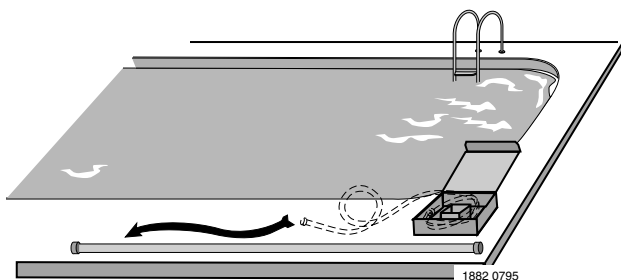


Figure 2

Step 3: Check parts (Figure 3)

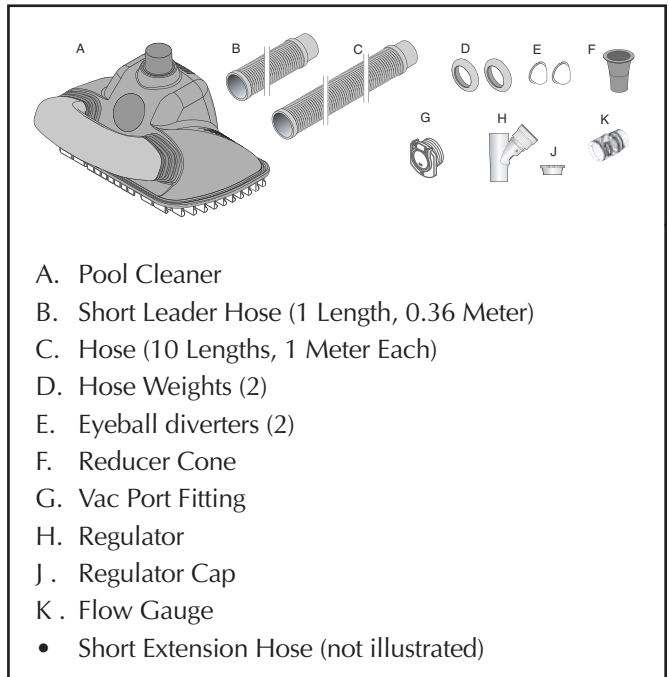


Figure 3

Step 4: Clean filter system (Figure 4)

Backwash and clean filter; rinse; clean all baskets, etc. Start pump.

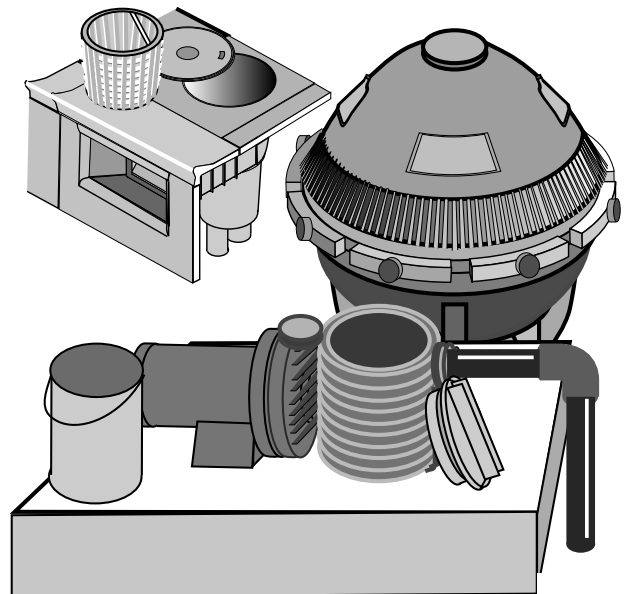


Figure 4

Step 5: Adjust valves for vacuuming (Figure 5)

Decide on the vacuum connection you are going to use (either a skimmer or a dedicated wall fitting) and adjust the pump valves (if your system has valves) to direct all vacuum there.

Close the main drain (also see "About Fine Tuning the Vacuum", Page 7).

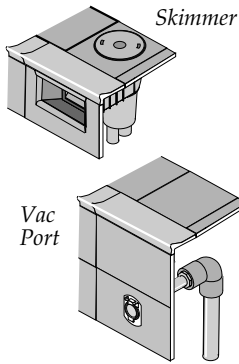


Figure 5

Step 6: Install Regulator in Pools with a Dedicated Vacuum Port

The pool regulator adjusts the amount of vacuum in the line for optimum cleaning.

If your pool has a dedicated wall fitting in addition to the skimmer, follow the procedure below.

1. Turn off the pool pump.
2. Place the regulator in the skimmer as shown. The cap must be placed in the top. Use the adapter cone if needed.

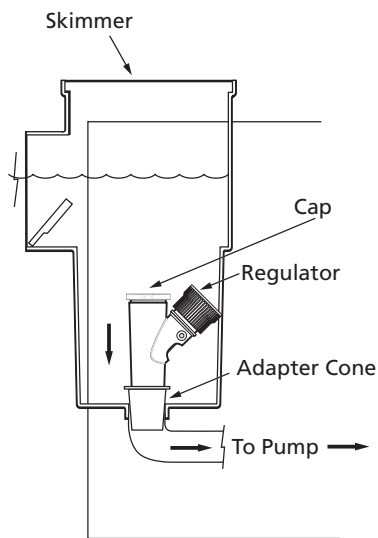


Figure 6 - Regulator in Skimmer.

3. Attach one length of hose to the vacuum port.

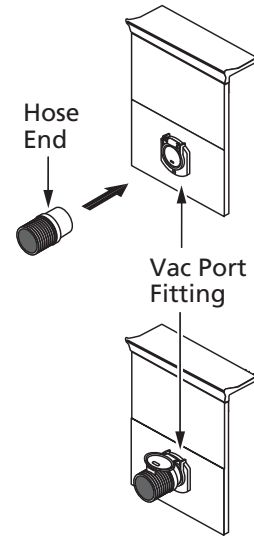


Figure 7 - Vacuum Port Connection.

Step 7: Pools with only a Skimmer

1. Turn off the pool pump.
2. Place the regulator in the skimmer as shown. Do not install the cap. Use the adapter cone if needed.

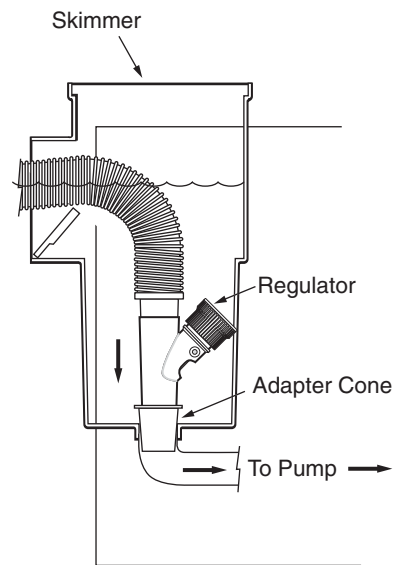


Figure 8 - Regulator in Skimmer.

3. Submerge one length of hose so it becomes filled with water.
4. Insert the "male" end of the hose into the regulator.

Step 8: Connect the hose sections (Figures 9 and 10).

For best results and to maintain proper operation, use only original hoses, or direct replacements (See Repair Parts page).

Join the hose sections one to another by fitting the male end to the female end of the added section (see Figure 9). Make sure the connections are snug. The number of lengths that you will need depends on the size of your pool.

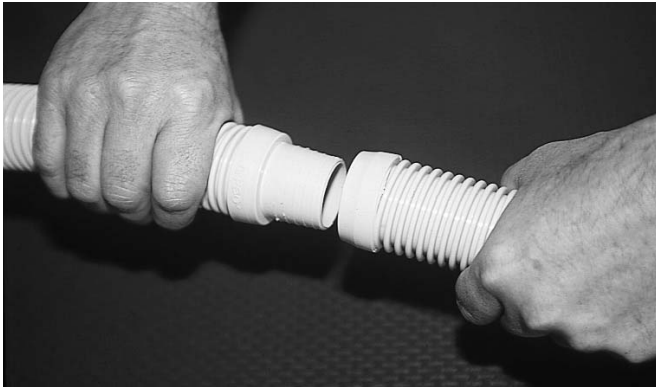


Figure 9

The overall length of hose needed will be the distance from:

(a) the point at which you will attach the hose to the suction connection, to (b) the furthest point in the pool from (a), plus one hose length (Figure 10).

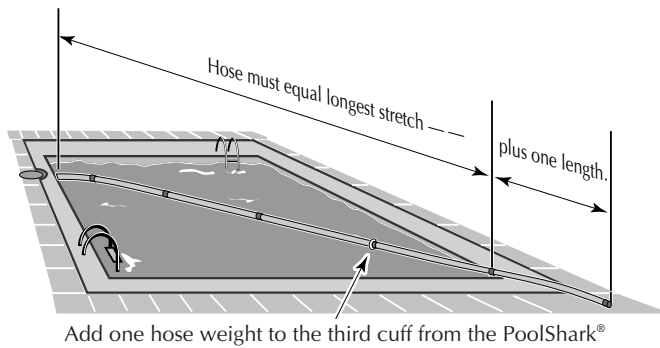


Figure 10

Submerge the hose so it fills with water and expels air from the hose. Attach one end of the hose to the vacuum source as described in Steps 2 and 3. Keep the other end of the hose accessible.

Step 9: Adjust flow

1. Insert the flow gauge into the open end of the hose, still underwater.
2. Start the pump.
3. Turn the adjustment knob on the flow regulator until the indicator on the flow gauge is between the maximum and minimum flow (See Figure 11).

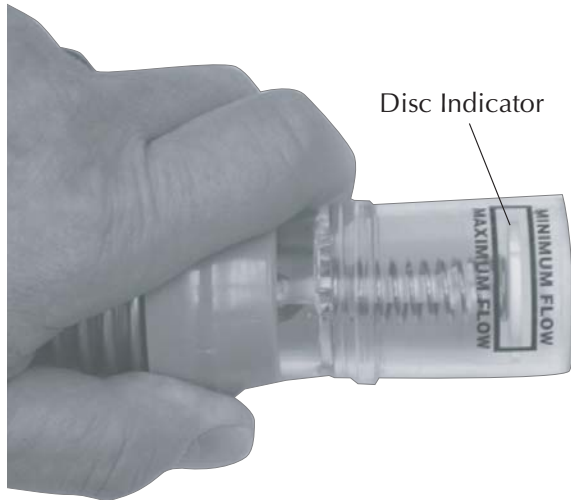


Figure 11 - Flow Indicated on Flow Gauge.

NOTE: If you have a very strong pump and the flow is still too fast, slightly open the main drain.

4. Turn off the pump.
5. Remove the flow gauge and attach the hose to the cleaner.

Step 10: Connect Hose to Cleaner.

Connect the hose cuff of the 14" (0.36 m) hose to the cleaner (correct end of hose is marked). Add other hose sections as shown in Figure 10.

Fill the cleaner with water and let it sink to the bottom.

Verify hose connections as shown on the following page, and that gate valves are fully open in the suction line.

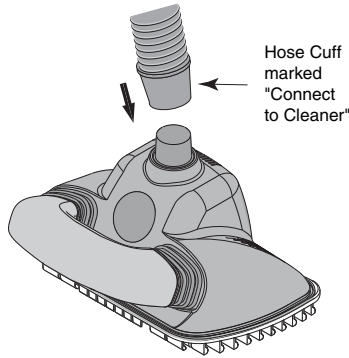


Figure 12

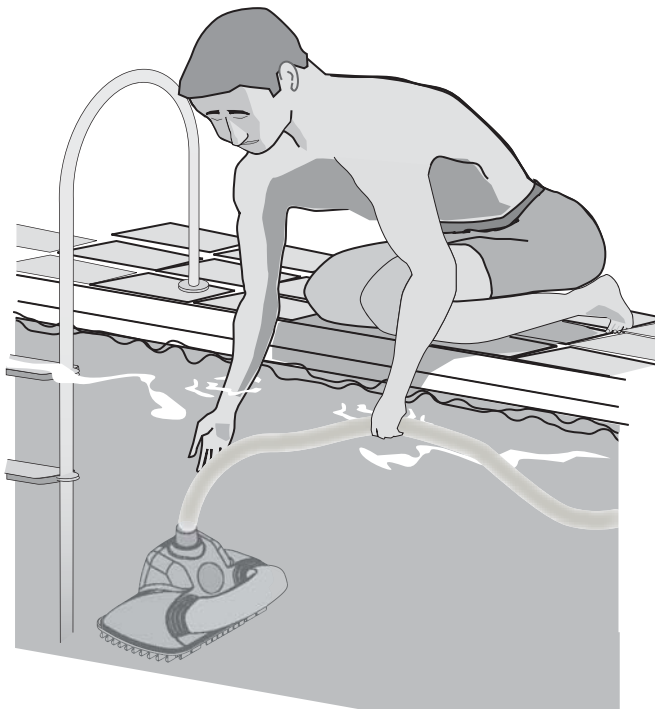


Figure 13

MAINTENANCE

⚠ WARNING Hazardous suction. Suction through the PoolShark can entrap bathers, causing severe injuries or drowning. Do not operate the PoolShark cleaner while people are using the swimming pool. Do not allow anyone to play with the PoolShark or its hoses.

Your PoolShark can stay in the pool at all times except during chemical shock treatments. However, when people are using the pool, disconnect the PoolShark and pull it to one side of the pool.

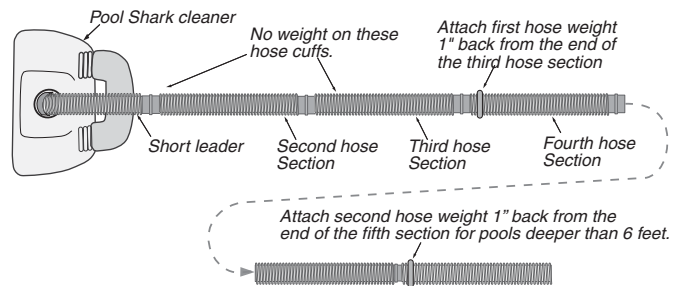
The PoolShark requires almost no maintenance. Manually open and close the regulator valve from time to time to flush away accumulated dirt and debris and ensure smooth operation. Also, from time to time, visually inspect the PoolShark to be sure that:

- The oscillator moves freely and is not obstructed by debris.
- The vacuum pad is not excessively worn. When the traction pads on the bottom have worn down, it's time for replacement.

NOTICE: When storing the PoolShark, do not coil the hose. Instead, lay it out straight and flat in an area protected from direct sunlight. Use only a genuine PoolShark hose. The warranty is void if the cleaner is operated with other than a genuine PoolShark hose.

Balancing the hose

It may or may not be necessary to add weight to your hose, depending on your pool's size, shape, and depth. Try the cleaner first without any hose weights. If the hose is too buoyant, add the weight as shown in Figure 14.



5049 0605

Figure 14

▲WARNING Pool pump suction is hazardous and can cause entrapment with severe personal injury or drowning. Use regulator (see instructions below) in pool cleaner system at all times.

NOTICE: Each pool's hydraulic system and vacuum connections are different. Be sure you have installed the **regulator** before you "fine-tune" the system. This not only regulates vacuum, but also acts as a safety device.

About "Fine-Tuning" Vacuum Adjustments and Connections

Suction entrapment, injury, and drowning hazard. If your pool has a dedicated suction port ("vac port") for vacuuming or for an automatic pool cleaner, it must be covered when not in use. Purchase a spring loaded safety cover from your local pool store and install it on the suction port to prevent entrapment and injury.

For the "**NOVICE POOL OWNER**" where vacuuming is a new experience, please read all of the following points, the installation instructions, and the trouble shooting guide carefully. Please note the following:

- "Vacuum" and "suction" are two words meaning the same thing.
- "Dedicated suction line", "vac port", and "vac fitting" are different terms for a hole in the side wall of pool; this hole is connected to the pump suction and is dedicated to vacuuming.
- Some pools do not have a vac port. If your pool does have one, please read the "Suction Entrapment" warning, above.

For the "**SEASONED POOL OWNER**": The automatic pool cleaner connection and vacuum adjustments can be similar to using your manual pool vacuum. Please read on.

Valves (pump, skimmer, and main drain) and vacuum adjustments

You may need to spend some time adjusting the skimmer and main drain valves in order to obtain the best vacuum setting for good cleaner operation. Once you have found the correct valve settings for best operation, we suggest you mark the valves to ensure repeated success.

In-Line leaf canisters

If your pool is exposed to large quantities of leaves, we suggest purchasing and installing an in-line leaf canister. A leaf canister will provide more debris-loading capacity and also provides a water by-pass when the canister is full. It is very important that the pump not starve for water!

Dedicated suction line/vac port/vac fitting

Some pools have a dedicated wall fitting just for vacuuming. If the wall fitting connection is used, you may notice that the clear pump lid shows signs of bubbles or what appears to be the presence of air. To eliminate this, slightly open the main drain valve to supplement the water intake. The cleaner may slow down a bit when you change the suction.



Figure 15: Typical Dedicated Vacuum Port.

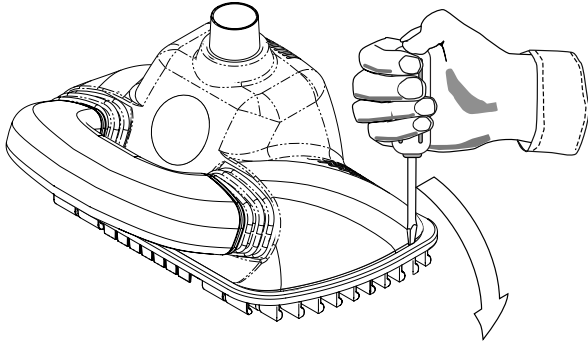
Skimmer vac plates

Some pool owners connect the hose to a skimmer vac plate, which allows the skimmer basket to remain in the skimmer. If this method is used, empty the basket frequently. Also make sure that the vacuum regulator provided is completely submerged so that it will not suck air and damage the pump.

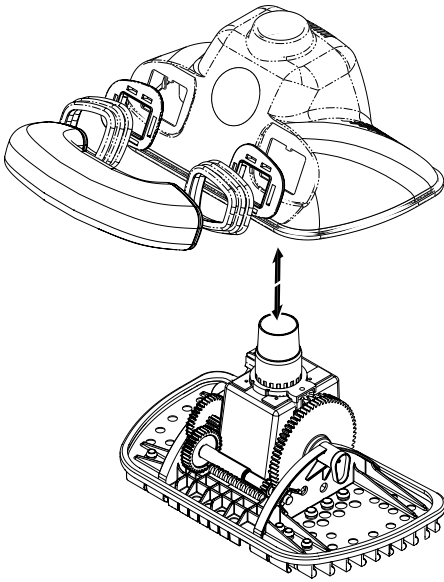
Skimmer vac plate vacuum control adjusters

Some pool owners use one of a variety of manufacturer's skimmer vac plates. Some have a vacuum control adjuster, and some do not. The adjuster could be a screw-type, a spring loaded apparatus, or a dial design. For those vac plates with adjusters, it is important to adjust them when fine tuning the vacuum for the cleaner.

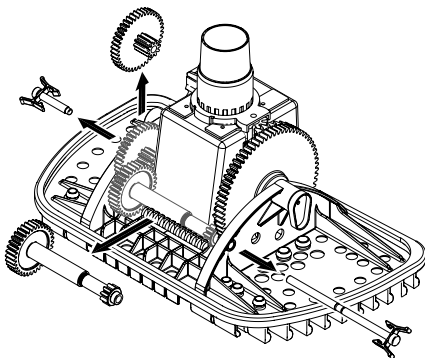
Disassembly



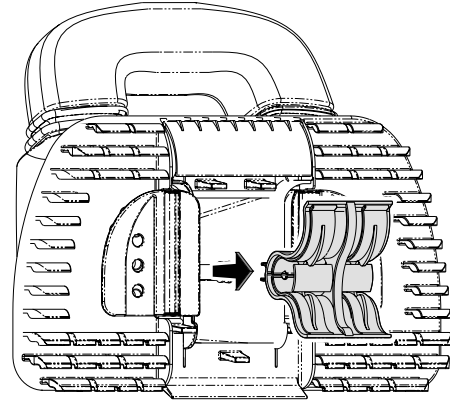
Step 1: With a screwdriver, carefully work the rubber vacuum pad down over the lip of the Outer Housing.



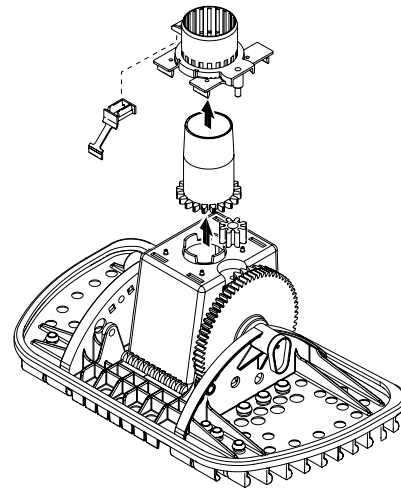
Step 2: Lift the Outer Housing straight up off of the chassis. Squeeze the tabs on the Bumper Clips (inside the housing) to remove the Bumper. The Bumper, Bumper Boots, and Bumper Clips pull apart.



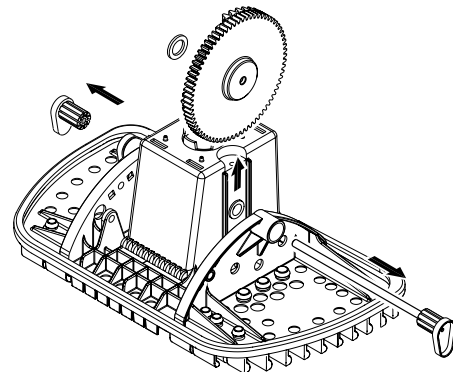
Step 3: Squeeze and pull the Sprocket Clips to release the Drive Shaft Assembly and Center Sprocket.



Step 4: Pull the Oscillator Straight out from the bottom of the Outer Housing. Be careful not to lose the Sliding Seals.

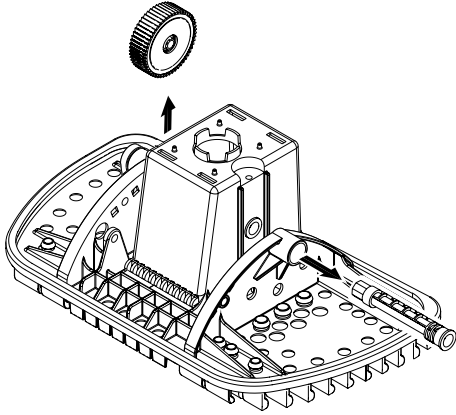


Step 5: Squeeze the latching tabs and pull up on the Swivel Housing and Swivel. The assembly will come up, releasing the Swivel Sprocket. Squeeze the latching tabs to remove the Clutch Clip.

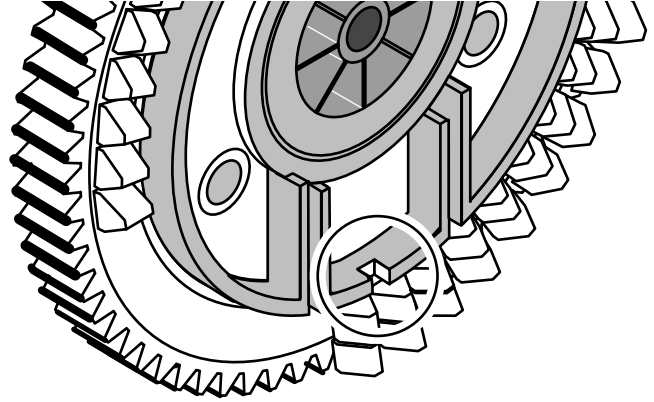


Step 6: Remove the Shaft Plug with the stainless steel shaft and the Large Steering Drive Assembly.

Disassembly (continued)

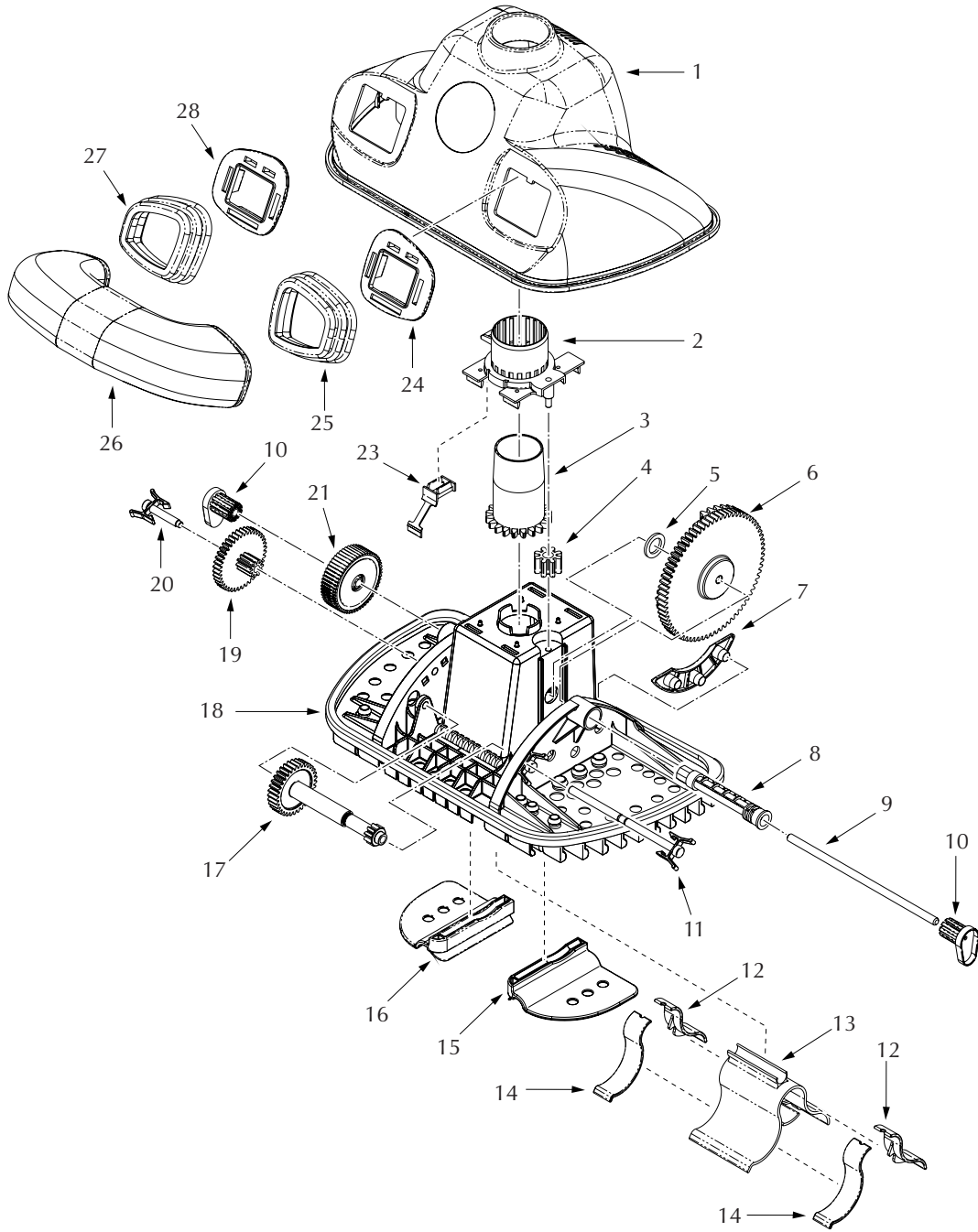


Step 7: Remove the Oscillator Sleeve, releasing the Oscillator Sleeve Bushing and the Clutch assembly.



Reassembly: To reassemble the PoolShark, reverse the steps above. NOTE: The notch on the center disk of the Large Steering Drive Assembly must be down (as shown) for assembly.

PoolShark Exploded View



3908 0201

PoolShark Repair Parts List

Key No.	Part Description	Qty.	Model GW7500	Model GW7700
•	Steering Kit (Incl. Key Nos. 2,3,4)	1	GW7505	GW7515
2	Swivel Housing	1		
3	Swivel	1		
4	Swivel Sprocket	1		
23	Clutch Clip	1		
•	Clutch Kit (Incl. Key Nos. 5,8,21,23)		GW7503	GW7503
5	Oscillator Sleeve Bushing	1		
8	Oscillator Sleeve	1		
21	Clutch Assembly	1		
•	Gear Kit (Incl. Key Nos. 6,10,11,17,19,20)		GW7504	GW7504
6	Large Steering Drive Assembly	1		
10	Shaft Plug	2		
11	Long Sprocket Clip	1		
17	Drive Shaft Assembly	1		
19	Center Sprocket	1		
20	Short Sprocket Clip	1		
•	Oscillator Kit (Incl. Key Nos. 12, 13,14)		GW7502	GW7502
12	Small Sliding Seal	2		
13	Oscillator	1		
14	Large Sliding Seal	2		
•	Seal Flap Kit (Incl. Key Nos. 15,16)		GW7506	GW7506
15	Right Seal Flap	1		
16	Left Seal Flap	1		
18	Chassis with Pad	1	41201-0242	41201-0242C
•	Bumper Kit (Incl. Key Nos. 24,25, 26,27,28)		GW7501	GW7511
24	Right Bumper Clip	1		
25	Right Bumper Boot	1		
26	Bumper	1		
27	Left Bumper Boot	1		
28	Left Bumper Boot Clip	1		
•	Accessory Kit		77705-0400	77705-0400
	Includes: Regulator	1		
	Regulator Cap	1		
	Hose Weight	2		
	Flow Gauge	1		
	Reducer Cone	1		
	Eyeball Diverter	2		
	Vac Port Fitting	1		
•	Short Leader Hose	1	GW9540	GW9540
•	Suction Hose, 1 meter segment	10	41201-0252	41201-0252
Parts Not Available Separately:				
1	Outer Housing	1		
7	Support Brace	1		
9	Stainless Steel Axle	1		

• Not Illustrated.

TROUBLESHOOTING

Common Causes of Cleaner Problems:

- Dirty filter Clean the filter
- Dirty basket in pump hair and lint strainer Clean the basket
- Debris blocking the bottom of the PoolShark Remove the Debris
- Leaks in the hose Remove the leaky section
- Debris in the regulator Clean the regulator valve
- Low vacuum through the cleaner Close the main drain

PoolShark doesn't move or pulsates slowly:

- Make sure that the main drain and all other suction lines are closed except the suction line to which the PoolShark is attached.
- Check for debris in the filter or the pump strainer basket.
- Check for debris in the PoolShark's oscillator. Debris may prevent oscillator movement or restrict the flow through the cleaner.
- Check the oscillator for: damage; lost seals (there should be 4 seals): obstructed seals (seals should slide freely on the oscillator).
- Be sure that the short, soft leader hose section is the first section in the hose assembly (next to the cleaner).

To install the eyeball diverter:

The water flow from the return line can push the PoolShark's hose, causing the PoolShark to steer away from the return line or to remain in one area of the pool. To correct this, adjust your existing return line diverters or install the eyeball diverters supplied with the PoolShark as follows:

- A. Turn off the main circulation pump.
- B. Unscrew the lock rings from the pool's return line fittings and remove the original eyeball diverters.
- C. Replace them with the PoolShark's eyeball diverters.
- D. Replace the lock rings and tighten them. Be sure that the openings of the eyeball diverters point down or to the side (9:00 O'clock position), before fully tightening the rings.

Usually, directing the return line water flow against the side of the pool (as described above) works best. However, you may want to try pointing the flow downward or in different positions to see which works best in the pool.

After installing the eyeball diverter, turn the circulation pump on. The PoolShark should begin moving across the pool floor, vacuuming up the debris in its path.

- E. If the PoolShark's eyeball diverters do not fit your existing return line fittings, adjust your existing fittings as best you can as described above.

If the PoolShark tracks in a repetitive pattern:

- Check the pool return line water flow and redirect it as necessary with a return line eyeball diverter (see "To install the eyeball diverter", above).
- Check the PoolShark's hose to be sure that it has not become bent or kinked. Do not coil the hose, as it will retain the coiled shape and reduce the cleaning coverage. To check the hose, lay each hose section flat on the pool deck (or another flat surface) and look down the length of the hose. It should be perfectly flat and straight. Replace any sections which are bent or kinked.
- Check the oscillator for: damage; lost seals (there should be 4 seals): obstructed seals (seals should slide freely on the oscillator).
- Be sure that the short, soft leader hose section is the first section in the hose assembly (next to the cleaner).

Square Bottom Pools Only:

If the transition radius between your pool's floor and wall is small and the PoolShark will not climb the pool walls, then you have a square bottom pool. If so, remove the cleaner from the pool and drill two holes in the indentations in the bumper (see Figure 14). This will provide an outlet for air which would otherwise accumulate in the hollow bumper. This air, from microscopic bubbles suspended in the pool water, is normally able to escape when the PoolShark climbs the pool walls.

NOTICE: DO NOT drill the holes if your PoolShark CAN climb the pool walls!

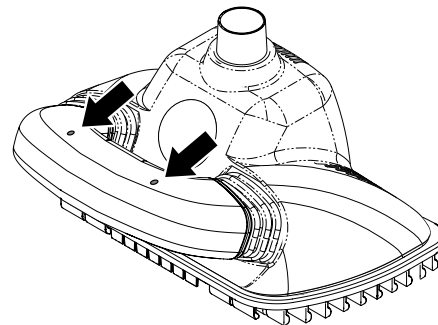


Figure 16: Drill Bumper if you have a square-bottom pool.

STA-RITE LIMITED WARRANTY

Pumps, filters, skimmers, underwater lights (excluding bulbs), accessories and fittings manufactured by Sta-Rite are warranted to be free of defects in material and/or workmanship for one (1) year from the original date of installation.

The foregoing warranties relate to the original consumer purchaser ("Purchaser") only. Sta-Rite Industries shall have the option to repair or replace the defective product, at its sole discretion. Purchasers must pay all labor and shipping charges necessary to replace the product covered by this warranty. Requests for warranty service must be made through the installing dealer. This warranty shall not apply to any product that has been subject to negligence, misapplication, improper installation or maintenance, or other circumstances which are not in Sta-Rite's direct control. Failure to have product installed by a professional in compliance with local codes will void any and all manufacturers warranty.

This warranty sets forth Sta-Rite's obligation and Purchaser's exclusive remedy for defective products.

STA-RITE SHALL NOT BE LIABLE FOR ANY CONSEQUENTIAL, INCIDENTAL OR CONTINGENT DAMAGES WHATSOEVER.

THE FOREGOING WARRANTIES ARE EXCLUSIVE AND IN LIEU OF ALL OTHER EXPRESS WARRANTIES. IMPLIED WARRANTIES, INCLUDING BUT NOT LIMITED TO THE IMPLIED WARRANTIES OF MERCHANTABILITY AND FITNESS FOR A PARTICULAR PURPOSE, SHALL NOT EXTEND BEYOND THE DURATION OF THE APPLICABLE EXPRESS WARRANTIES PROVIDED HEREIN.

Some states do not allow the exclusion or limitation of incidental or consequential damages or limitations on how long an implied warranty lasts, so the above limitations or exclusion may not apply to you. This warranty gives you specific legal rights and you may also have other rights which vary from state to state.

Supersedes all previous publications.

Product Specific Warranties (from date of installation)

Product Family	Limited Warranty	Exceptions
Filters	1 Year	System 3 Tank Bodies - 10 Yrs
Filter Valves	1 Year	
Pumps	1 Year	
Heaters	2 Years	*Commercial Application - 1 Yr
Controls	1 Year	
Above Ground Systems	1 Year	
Lights and Niches	1 Year	Lamps and Bulbs - 90 Days
White Goods	1 Year	
Maintenance Equipment	90 Days	
Drainer/Utility Pumps	90 Days	
Replacement Parts	90 Days	
Cleaners: Lil Shark	1 Year	
Cleaners: Calypso	1 Year	
Cleaners: Pool Shark	2 Years	Footpad and Seal Flaps - 1 Yr
Cleaners: Great White	2 Years	

* Commercial and multi-family application.

Retain this warranty certificate in a safe and convenient location for your records.

For technical information about this product, contact the installer or call Sta-Rite at 262-728-9181.

Visit www.staritepool.com

- for more information about Sta-Rite products listed above
- to locate a Sta-Rite dealer near you

CREATE A RECORD OF YOUR WARRANTY AT STA-RITE:

- Complete a warranty registration at www.staritepool.com by clicking on "Register Products" and selecting Sta-Rite Pool **OR**
- Complete bottom portion completely and mail within 10 days of installation to Sta-Rite, Attn.: Pool Warranty Dept., 293 Wright St., Delavan, WI 53115



Warranty Registration Card

Name _____

New installation Replacement

Address _____

Years pool has been in service less than 1 1-3 3-5 5-10

City _____ State _____ Zip _____

This product was purchased from:

Installation (or Purchase) Date _____

Company name _____

Product Purchased _____

Address _____

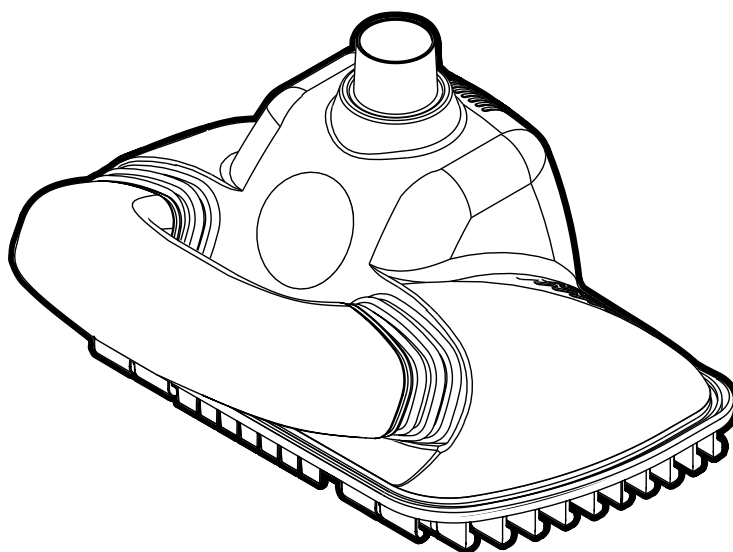
Model Number _____

City _____ State _____ Zip _____

STA-RITE®

Nettoyeur automatique de piscine PoolShark®

NOTICE D'UTILISATION



INSTALLATION, FONCTIONNEMENT ET PIÈCES DÉTACHÉES



Sta-Rite Pool/Spa Group

293 Wright Street, Delavan, WI 53115

International: 262-728-5551, FAX: 262-728-7550

www.starite.com

Union City, TN • Delavan, WI • Mississauga, ON • Murrieta, CA

© 2005, Sta-Rite Industries

S788 (12/4/05)

LIRE ATTENTIVEMENT CE QUI SUIT AVANT DE PROCÉDER À L'INSTALLATION DE CE NETTOYEUR AUTOMATIQUE DE PISCINE!

La sécurité :

⚠ Ce symbole indique qu'il faut être prudent. Lorsque ce symbole apparaît sur le système ou dans cette Notice, rechercher une des mises en garde qui suivent, car elles indiquent un potentiel possible de blessures corporelles.

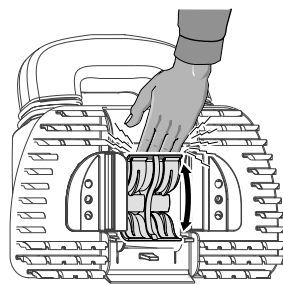
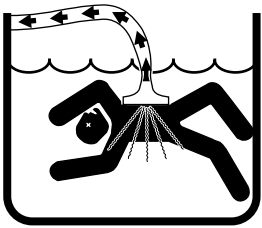
⚠ DANGER avertit d'un danger **qui causera** des blessures corporelles, la mort ou des dommages matériels importants si on l'ignore.

⚠ AVERTISSEMENT avertit d'un danger **qui risque** de causer des blessures corporelles, la mort ou des dommages matériels importants si on l'ignore.

⚠ ATTENTION avertit d'un danger qui **causera** ou **qui risquera** de causer des blessures corporelles, la mort ou des dommages matériels importants si on l'ignore

Lire attentivement toutes les consignes de sécurité contenues dans cette Notice ou collées sur l'équipement. Garder les autocollants de sécurité en bon état; les remplacer s'ils manquent ou s'ils ont été endommagés.

⚠ AVERTISSEMENT	Aspiration dangereuse. Les cheveux ou des parties du corps risquent d'être aspirés ou arrachés. Peut causer la noyade. Ne pas jouer avec le nettoyeur automatique ni avec son tuyau souple et ne pas se l'appliquer sur le corps. Ne pas laisser les enfants utiliser ni jouer avec le nettoyeur automatique de piscine. Arrêter la pompe avant d'intervenir sur le nettoyeur automatique. Interdire à toute personne de se baigner pendant que le nettoyeur automatique fonctionne.
------------------------	--



⚠ ATTENTION L'oscillateur peut blesser les mains ou les doigts. **Arrêter la pompe** avant d'essayer de nettoyer la tête du nettoyeur automatique de piscine.

⚠ AVERTISSEMENT Le tuyau souple peut faire trébucher les baigneurs ou s'enrouler autour d'eux. Ne permettre à personne de se baigner dans la piscine pendant que le nettoyeur automatique fonctionne.

LA PISCINE ET LE SYSTEME DE FILTRATION :

⚠ Avant de procéder à l'installation du nettoyeur automatique, bien étudier et bien comprendre toutes les informations relatives aux avertissements, ainsi que les consignes de sécurité imprimées à l'intérieur de la page de couverture de cette Notice.

Liste des contrôles à effectuer avant de procéder à l'installation

Avant de procéder à l'installation du nettoyeur automatique dans une piscine à doublure en toile de vinyle :

Vérifier attentivement la toile à la recherche de signes de détérioration ou de dommages causés par le vieillissement ou les produits chimiques. Vérifier aussi les parois de la piscine à la recherche de dommages, etc. Si on remarque des dommages, demander à un professionnel qualifié en piscines de procéder aux réparations nécessaires. De même, si on remarque la présence de pierres, de racines, etc. sous la toile, les enlever avant d'installer le nettoyeur automatique.

Avant de procéder à l'installation du nettoyeur automatique dans une piscine en béton projeté (gunite) ou dans une piscine partiellement ou complètement carrelée :

Réparer tous les carreaux qui se détachent et resserrer toutes les bagues des éclairages pouvant être desserrées.

Avant de procéder à l'installation du nettoyeur automatique, nettoyer le système de filtration :

Ne pas oublier de nettoyer le filtre et de procéder, aussi, à un lavage à contre-courant, à un rinçage et de vider tous les paniers. Il est indispensable que le système soit propre pour que le nettoyeur automatique nettoie adéquatement toute la surface de la piscine.

Avant de procéder à l'installation du nettoyeur automatique, remplir d'eau son tuyau :

Toujours s'assurer que la tête du nettoyeur automatique est immergée dans l'eau de la piscine et que son tuyau souple est plein d'eau avant de brancher le tuyau souple sur le système de filtration (dans le retour de l'écumoire ou dans un raccord de la paroi de la piscine réservé à cet effet). S'il y a de l'air dans le système, la pompe fonctionnera à sec, surchauffera et sera endommagée.

Avant de procéder à l'installation du nettoyeur automatique, il faut bien comprendre comment il fonctionne :

Le nettoyeur automatique est conçu pour débarrasser la piscine des débris sur une période d'environ 4 à 6 heures. Dans la plupart des cas, il faudra beaucoup moins de temps que cela.

Le nettoyeur automatique n'a pas été conçu pour nettoyer les marches ou les rampes, ni pour fonctionner sous une couverture solaire. Il n'a pas non plus été conçu pour procéder au nettoyage initial d'une piscine neuve, ni pour nettoyer une piscine lorsqu'on la rouvre pour la saison.

⚠ AVERTISSEMENT Risques de se faire retenir par l'aspiration, de blessures et de noyade. Si la piscine comporte un orifice spécifique pour le nettoyage à l'aspirateur, (« vac port ») ou pour un nettoyeur automatique de piscine, cet orifice devra être bouché s'il n'est pas utilisé. Un couvercle de sécurité à ressort (raccord d'orifice de nettoyage à l'aspirateur (« vac port »)) est livré avec votre nettoyeur. Installez-le sur l'orifice d'aspiration pour empêcher que les baigneurs soient retenus ou blessés. Si le couvercle fourni ne s'adapte pas à cet orifice, achetez-en un adéquat auprès du magasin de piscine local, et installez-le à la place de celui fourni. Le couvercle doit être conforme à IAPMO SPS4-99A.

TABLE DES MATIÈRES

La sécurité.....2
 Installation3-6
 Entretien.....6
 Les branchements et les réglages « précis » de l'aspiration7
 Démontage.....8-9
 Liste des pièces de rechange.....10-11
 Recherche des pannes12
 Garantie.....13

INSTALLATION

Veuillez utiliser la carte d'instructions pratique et résistante à l'eau « **Installation** ».

Étape 1 : Installer le raccord de la porte sur l'orifice d'aspiration

S'il n'y a pas de porte à ressort sur l'orifice d'aspiration, installez le couvercle fourni.

Si votre piscine est seulement dotée d'une écumoire, mais pas d'un orifice d'aspiration, passez à l'Étape 2.

1. Vissez le raccord dans l'orifice.
2. Orientez l'orifice de manière à ce que la flèche sur la porte pointe vers le haut.

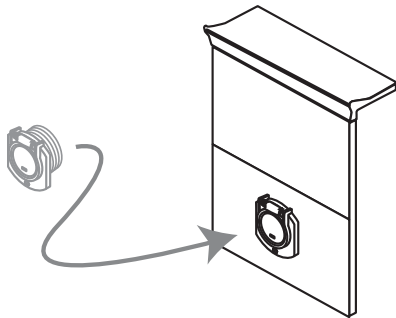


Figure 1

3. Immobilisez le couvercle en serrant la vis creuse sous la porte.

Étape 2 : Redresser le tuyau (Figure 2)

Sortez et déroulez les sections de tuyau de l'emballage. Étendez-les au soleil, droites et à plat.

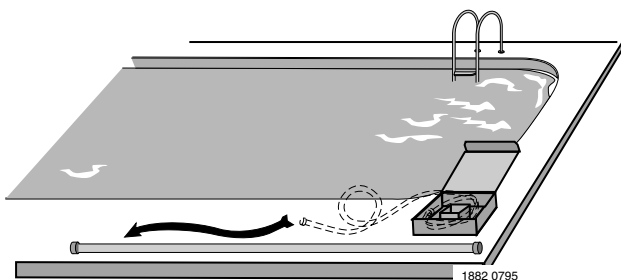


Figure 2

Étape 3 : Vérifier les pièces (Figure 3)

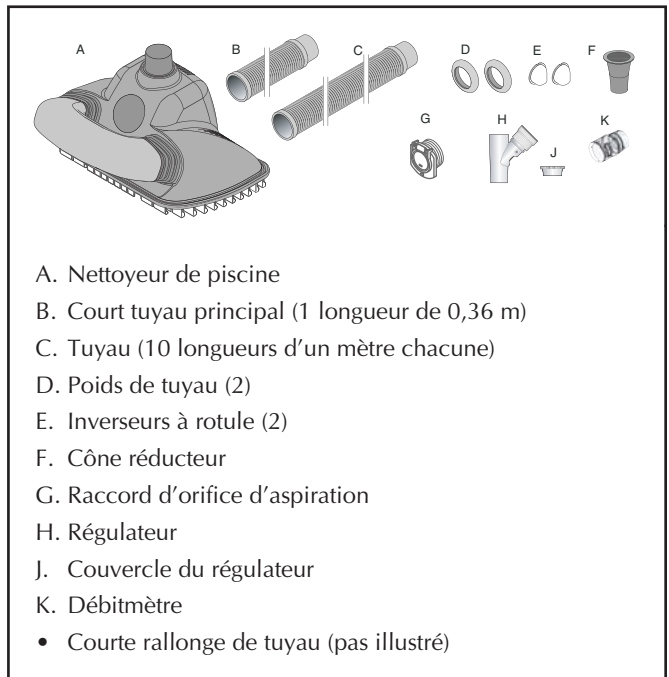


Figure 3

Étape 4 : Nettoyer le système de filtration (Figure 4)

Rincez à contre-courant et nettoyez le filtre; rincez; nettoyez tous les paniers, etc. Démarrez la pompe.

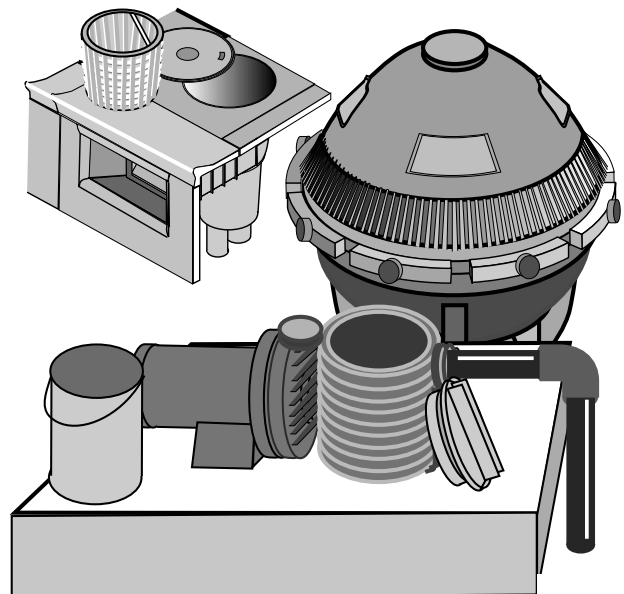


Figure 4

Étape 5 : Régler les robinets pour l'aspiration (Figure 5)

Choisissez le raccord d'aspiration que vous allez utiliser (soit une écumoire, soit un raccord de paroi prévu à cet effet) et réglez les robinets de la pompe (si votre système est doté de robinets) pour y diriger toute l'aspiration.

Fermez le drain principal (voir également « À propos des réglages de l'aspiration », page 7).

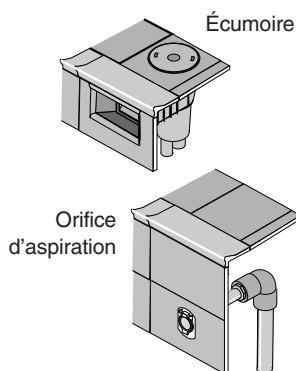


Figure 5

Étape 6 : Installer le régulateur dans la piscine avec un orifice d'aspiration prévu à cet effet

Le régulateur de piscine permet de régler la quantité de vide dans le tuyau d'aspiration pour un nettoyage optimal. Si votre piscine est dotée d'un raccord prévu à cet effet sur la paroi en plus de l'écumoire, procédez comme suit :

1. Arrêter la pompe de la piscine.
2. Placez le régulateur dans l'écumoire, tel qu'illustré. Le couvercle doit être placé dans la partie supérieure. Au besoin, utilisez un cône adaptateur.

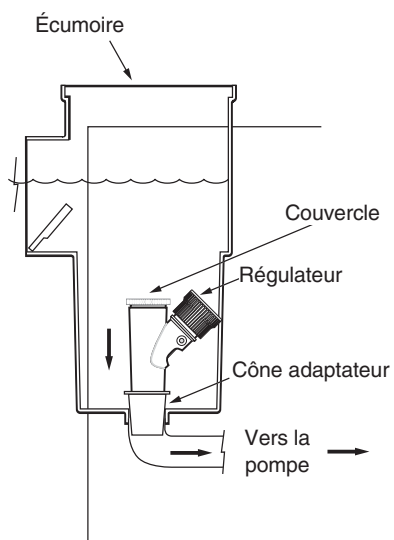


Figure 6 - Régulateur dans l'écumoire.

3. Fixez une longueur de tuyau à l'orifice d'aspiration.

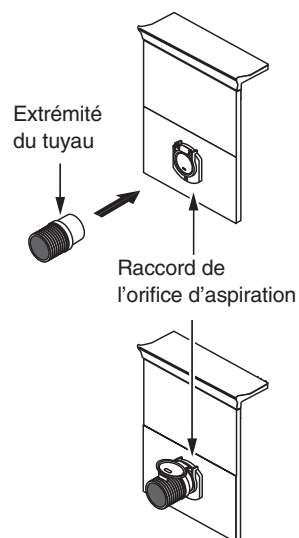


Figure 7 - Raccordement de l'orifice d'aspiration.

Étape 7 : Piscines dotées seulement d'une écumoire

1. Arrêter la pompe de la piscine.
2. Placez le régulateur dans l'écumoire, tel qu'illustré. N'installez pas le couvercle.

Au besoin, utilisez un cône adaptateur.

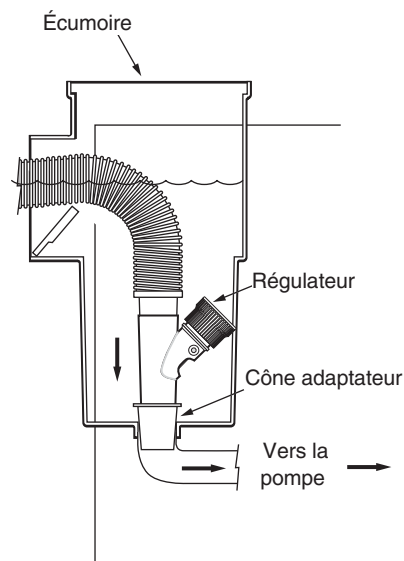


Figure 8 - Régulateur dans l'écumoire.

3. Immergez une longueur de tuyau de manière à ce qu'il se remplisse d'eau.
4. Insérez l'extrémité « mâle » du tuyau dans le régulateur.

Étape 8 : Raccorder les sections du tuyau (Figures 9 et 10).

Pour de meilleurs résultats et pour maintenir le bon fonctionnement, utilisez uniquement des tuyaux d'origine ou des tuyaux de rechange directs (Voir page Pièces de rechange).

Joignez les sections de tuyau entre elles en raccordant l'extrémité mâle à l'extrémité femelle (voir Figure 9). Les raccords doivent être précis et bien ajustés. Le nombre de longueurs dont vous aurez besoin dépend de la taille de la piscine.

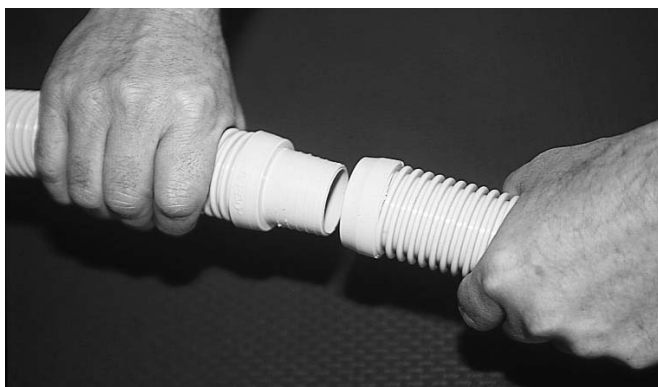
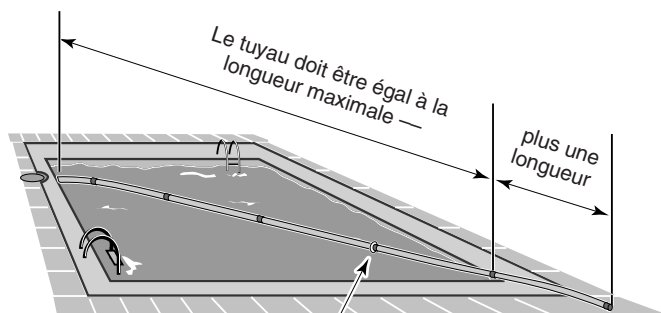


Figure 9

La longueur totale de tuyau requise correspondra à la distance : du point où vous reliez le tuyau au raccordement de l'aspiration (b) au point le plus éloigné de la piscine du point (a), plus une longueur de tuyau (Figure 10).



Ajoutez un poids au tuyau à la troisième jonction en partant du nettoyeur PoolShark®.

Figure 10

Immergez le tuyau de manière à ce qu'il remplisse d'eau et qu'il évacue l'air qu'il contenait. Fixez une extrémité de la source d'aspiration tel que décrit aux étapes 2 et 3. L'autre extrémité du tuyau doit être accessible.

Étape 9 : Régler le débit

1. Insérez le débitmètre dans l'extrémité ouverte du tuyau, sans le sortir de l'eau.
2. Démarrez la pompe.
3. Tournez le bouton de réglage sur le régulateur de débit jusqu'à ce que l'indicateur sur le débitmètre soit situé exactement entre le débit maximum et le débit minimum (voir Figure 11).

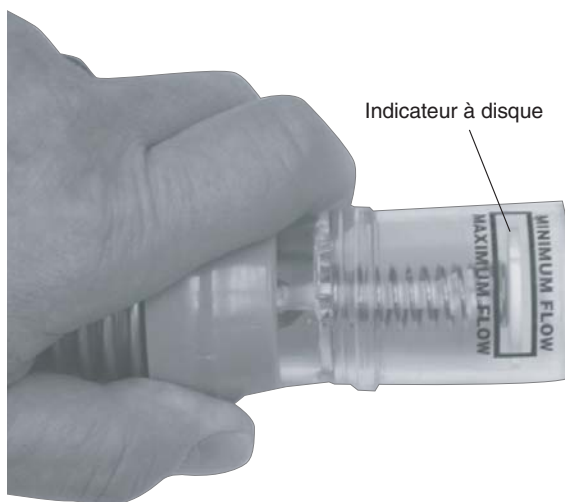


Figure 11 - Débit indiqué sur le débitmètre.

REMARQUE : Si votre pompe est très puissante et que le débit est trop rapide, ouvrez légèrement le drain principal.

4. Coupez la pompe.
5. Retirez le débitmètre et raccordez le tuyau au nettoyeur.

Étape 10 : Raccorder le tuyau au nettoyeur

Raccordez le manchon du tuyau de 14 po (0,36 m) au nettoyeur (la bonne extrémité du tuyau est indiquée). Ajoutez les autres sections du tuyau, tel qu'illustré sur la Figure 10.

Remplissez le nettoyeur d'eau et laissez-le couler jusqu'au fond.

Vérifiez les raccords de tuyau tel qu'illustré sur la page suivante, et assurez-vous que les robinets-vannes sont ouverts à fond dans la conduite d'aspiration.

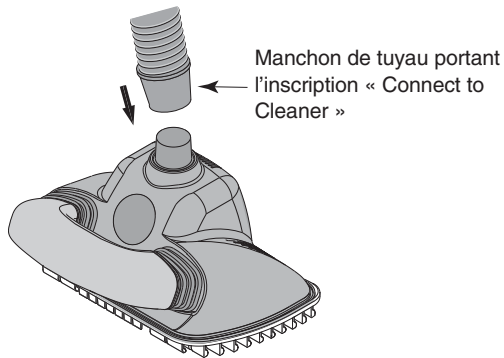


Figure 12

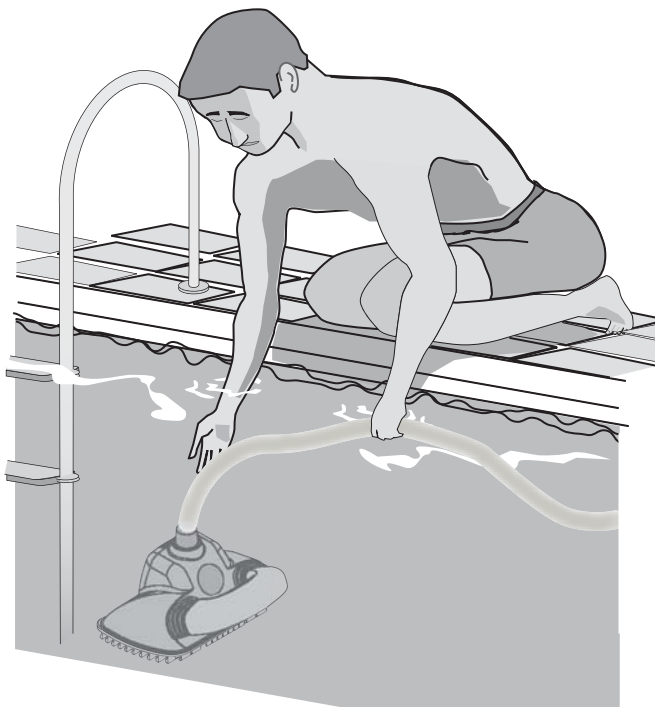


Figure 13

ENTRETIEN

⚠ AVERTISSEMENT Aspiration dangereuse. L'aspiration par le PoolShark risque de retenir les nageurs, causant ainsi de graves blessures, voire la noyade. Ne pas faire fonctionner le nettoyeur automatique PoolShark pendant que des personnes se baignent dans la piscine. Ne permettre à personne de jouer avec le PoolShark ni avec son tuyau souple.

Le PoolShark peut être laissé en permanence dans la piscine, sauf pendant les traitements de choc aux produits chimiques. Toutefois, dès que des personnes désirent se baigner, débrancher le PoolShark et le tirer d'un côté de la piscine.

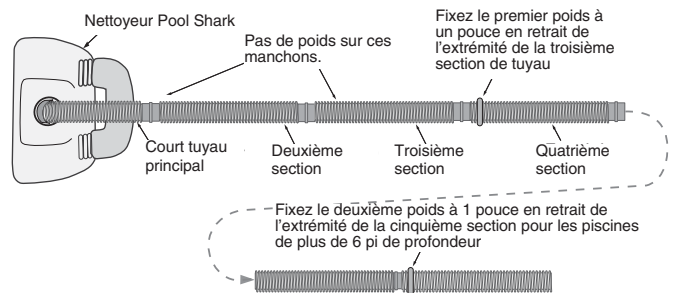
Le PoolShark ne nécessite pour ainsi dire aucun entretien. Ouvrir et fermer manuellement de temps en temps le régulateur d'aspiration pour pouvoir chasser toute la saleté et tous les débris accumulés et assurer ainsi un fonctionnement en douceur du nettoyeur automatique. Il faut aussi, de temps à autre, inspecter visuellement le PoolShark pour s'assurer :

- que l'oscillateur se déplace librement et qu'il n'est pas obstrué par des débris.
- que le patin d'aspiration n'est pas excessivement usé. Lorsque les patins d'adhérence qui se trouvent à la partie inférieure sont usés, il est temps de les remplacer.

NOTA : Pour remiser le PoolShark, ne pas enrouler les tuyaux souples. Les entreposer à plat et bien droits dans une zone à l'abri des rayons du soleil. N'utiliser que des tuyaux souples d'origine PoolShark. La garantie sera annulée si le nettoyeur est utilisé avec d'autres tuyaux souples que ceux d'origine PoolShark.

Équilibrer le tuyau

Il est possible que vous deviez ajouter du lest au tuyau, en fonction de la taille, de la forme et de la profondeur de la piscine. Essayez d'abord le nettoyeur sans lest. Si le tuyau est trop flottant, ajoutez du lest, comme sur la Figure 14.



5049 0605

Figure 14

NOTA : NE PAS percer de trous dans le butoir du PoolShark s'il PEUT monter le long des parois de la piscine!

▲ AVERTISSEMENT L'aspiration de la pompe présente un danger et risque de causer de graves blessures corporelles, voire la noyade. Toujours utiliser le régulateur d'aspiration (se reporter aux instructions ci-dessous) avec le nettoyeur automatique de piscine.

NOTA : Chaque système hydraulique de piscine et chaque branchement d'aspiration est différent. Il faut toujours s'assurer que le **régulateur d'aspiration** est posé avant de procéder aux « Réglages précis » du système. Non seulement ce régulateur permet de contrôler l'aspiration, mais il agit également en tant que dispositif de sécurité.

Les branchements et les réglages « précis » de l'aspiration

▲ AVERTISSEMENT Risque d'aspiration, d'être blessé ou de se noyer. Si la piscine est dotée d'un orifice d'aspiration réservé à cet effet (« l'orifice d'aspiration »), pour passer l'aspirateur ou pour brancher un nettoyeur automatique de piscine, cet orifice devra être bouché lorsqu'il ne sera pas utilisé. Acheter, auprès du magasin local de piscines, un couvercle de sécurité à ressort et le poser sur cet orifice d'aspiration de façon à ne pas être aspiré ni blessé.

Le « **PROPRIÉTAIRE NOVICE D'UNE PISCINE** », qui n'a aucune expérience avec l'aspiration, doit lire attentivement tous les points suivants, toutes les instructions d'installation et le guide de recherche des pannes. Prière de prendre note de ce qui suit :

- « *Orifice d'aspiration réservé à cet effet* », est un terme qui désigne un trou dans la paroi de la piscine; le trou est raccordé à l'aspiration de la pompe et est spécialement prévu pour l'aspiration.
- Certaines piscines ne comportent pas d'orifice d'aspiration. Dans ce cas, lire l'avertissement ci-dessus : « L'aspiration de la pompe présente un danger ».

Dans le cas d'un « **PROPRIÉTAIRE DE PISCINE EXPÉRIMENTÉ** », le réglage de l'aspiration et le branchement du nettoyeur automatique sont semblables à l'utilisation d'un aspirateur manuel de piscine. Continuer de lire.

Réglages des vannes (pompe, écumoire et drain de fond de la piscine) et de l'aspiration

De façon à pouvoir obtenir les meilleurs réglages possibles de l'aspiration pour un bon fonctionnement du nettoyeur automatique, il faudra peut-être passer un peu de temps à régler les vannes de l'écumoire et du drain de fond de la piscine. Une fois le bon réglage des vannes obtenu pour le meilleur fonctionnement possible, nous suggérons de faire un repère sur les vannes de façon à toujours les régler dans la même position.

Récupérateur de feuilles en ligne

Si la piscine est exposée à de grandes quantités de feuilles, nous suggérons d'acheter et de poser un récupérateur de feuilles en ligne. Ce type de récupérateur permettra de récupérer beaucoup plus de débris et offrira également une dérivation à l'eau lorsque le récupérateur sera plein. Il est extrêmement important que la pompe ne manque jamais d'eau!

Orifice d'aspiration réservé à cet effet

Certaines piscines comportent, dans une de leurs parois, un raccord réservé pour l'aspiration. Si ce raccord est déjà utilisé, on remarquera peut-être la présence de bulles d'air au travers du couvercle transparent de la pompe. Pour éliminer ces bulles d'air, ouvrir légèrement la vanne du drain de fond de la piscine afin d'augmenter la prise d'eau. Le nettoyeur automatique ralentira peut-être un peu après avoir modifié l'aspiration.

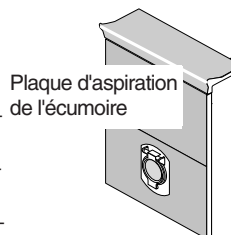


Figure 15 : Orifice d'aspiration type.

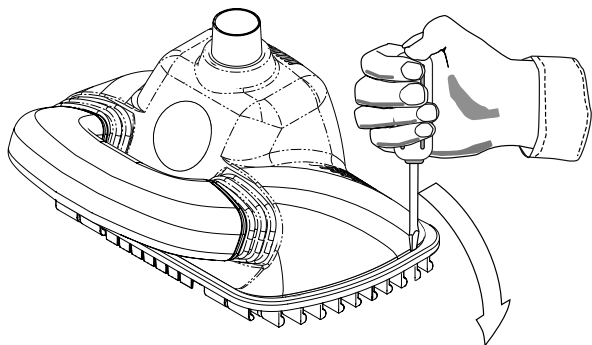
Plaque d'aspiration d'écumoire

Certains propriétaires de piscine branchent le tuyau dans une plaque d'aspiration d'écumoire, ce qui permet de laisser le panier de l'écumoire en place. Si cette méthode est utilisée, le panier devra être fréquemment vidé. Il faut également s'assurer que le régulateur d'aspiration fourni est complètement immergé de façon qu'il n'aspire pas d'air, sinon la pompe risquera d'être endommagée.

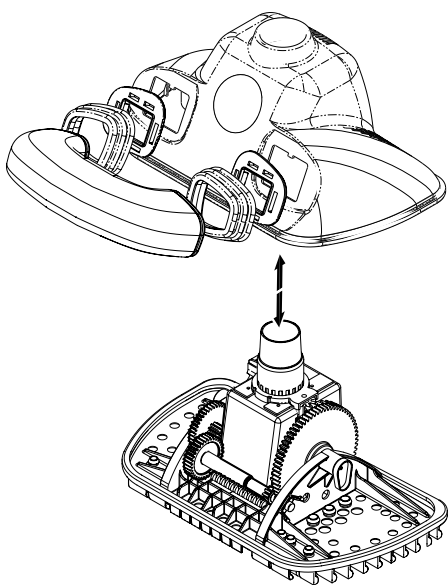
Dispositifs de réglage de l'aspiration de la plaque de l'écumoire

Certains propriétaires de piscine utilisent une plaque d'aspiration d'écumoire fabriquée par une variété de manufacturiers. Certaines comportent un dispositif de réglage de l'aspiration, certaines pas. Le dispositif de réglage peut être du type à vis, à ressort ou à cadran. Dans le cas des plaques d'aspiration à dispositif de réglage, il est important de les régler lorsque l'on procède aux réglages précis de l'aspiration du nettoyeur automatique.

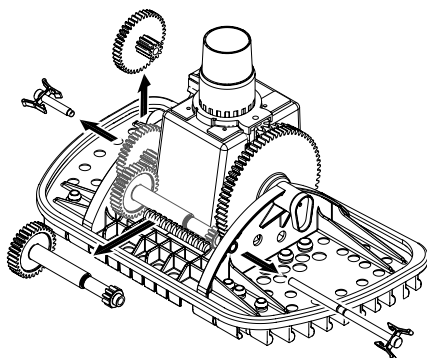
Démontage



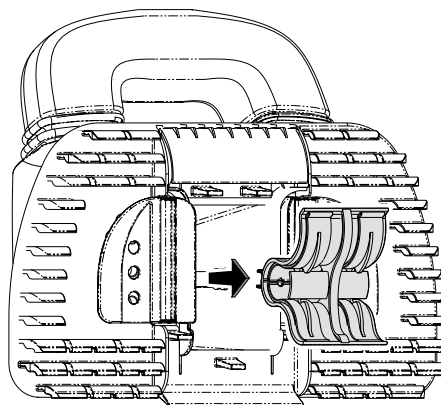
1 ° : À l'aide d'un tournevis, enlever prudemment le patin d'aspiration en caoutchouc en le faisant passer par-dessus le rebord du corps extérieur.



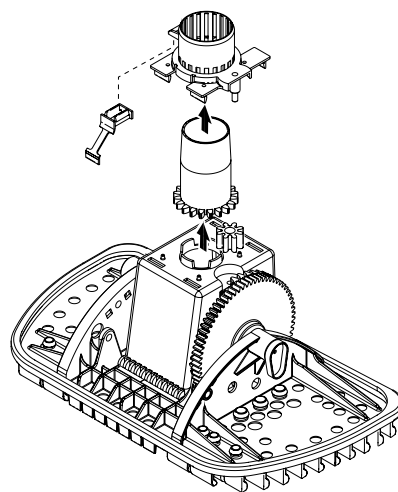
2 ° : Tirer le corps extérieur droit vers le haut pour le dégager du châssis. Appuyer sur les pattes des agrafes du butoir (qui se trouvent à l'intérieur du corps) pour déposer le butoir. Le butoir, les soufflets du butoir et les agrafes du butoir se sépareront.



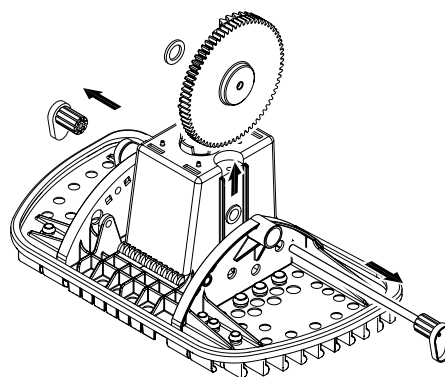
3 ° : Appuyer sur les agrafes du pignon et tirer dessus pour les dégager de l'arbre d'entraînement et du pignon central.



4 ° : Tirer droit sur l'oscillateur pour le dégager de la partie inférieure du boîtier extérieur. Faire bien attention de ne pas perdre les joints coulissants.

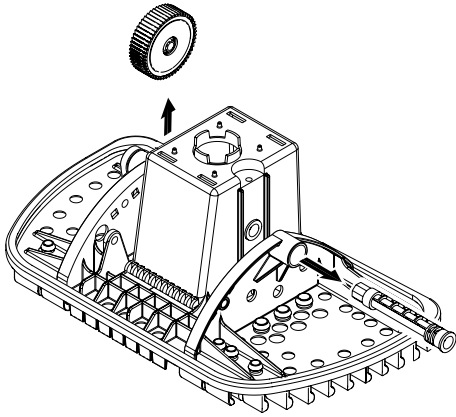


5 ° : Appuyer sur les pattes de verrouillage et tirer sur l'ensemble corps de la rotule et rotule. L'ensemble viendra, dégageant le pignon de la rotule. Appuyer sur les pattes de verrouillage pour déposer l'agrafe de l'embrayage.

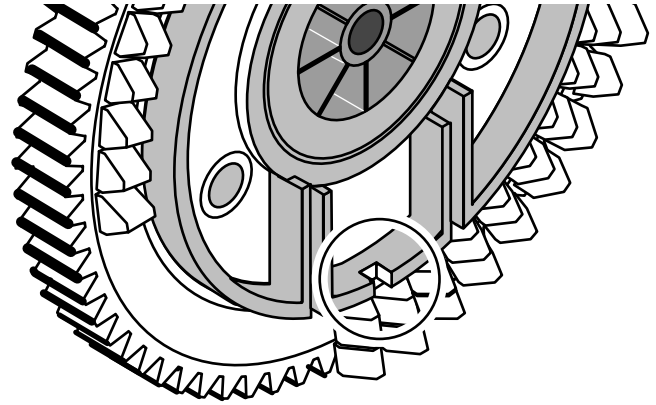


6 ° : Déposer l'obturateur de l'arbre en acier inoxydable, ainsi que le grand entraînement de guidage.

Démontage (suite)

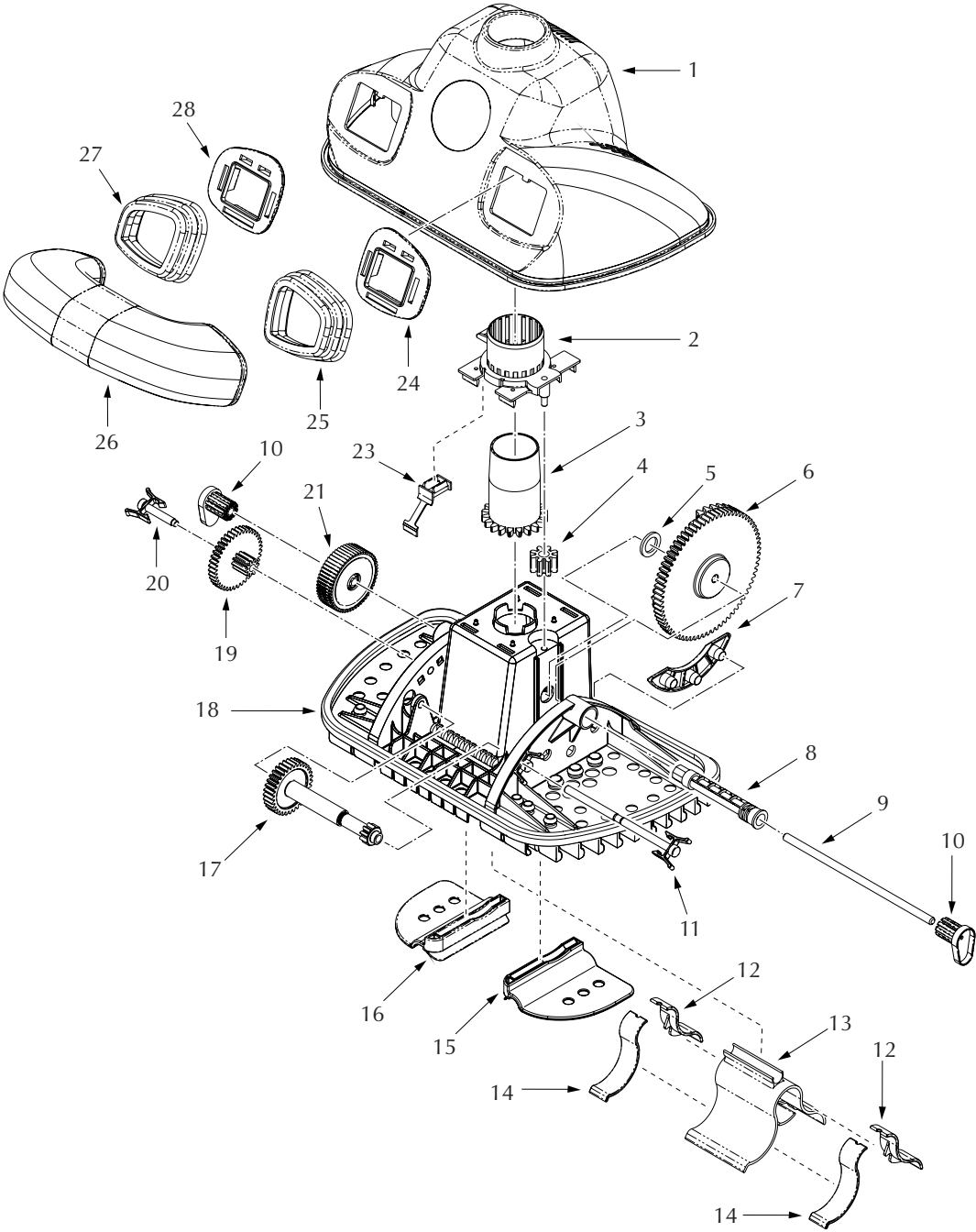


7 ° : Déposer le manchon de l'oscillateur pour dégager la bague du manchon de l'oscillateur et l'embrayage.



Remontage : Pour remonter le PoolShark, procéder à l'inverse des opérations précédentes. **NOTA :** Pour le remontage, l'encoche pratiquée sur le disque central du grand entraînement de guidage doit être orientée vers le bas (comme il est illustré).

Éclaté du PoolShark



3908 0201

Liste des pièces de rechange du PoolShark

Réf.	Désignation des pièces	Qté	Modèle GW7500	Modèle GW7700
•	Ensemble de guidage (comprend les Réf. 2, 3 et 4)	1	GW7505	GW7515
2	Boîtier de la rotule	1		
3	Rotule	1		
4	Pignon de la rotule	1		
23	Agrafe d'embrayage	1		
•	Embrayage complet (comprend les Réf. 5, 8, 21, et 23)		GW7503	GW7503
5	Bague du manchon de l'oscillateur	1		
8	Manchon de l'oscillateur	1		
21	Embrayage	1		
•	Pignon complet (comprend les Réf. 6, 10, 11, 17, 19 et 20)		GW7504	GW7504
6	Grand entraînement de guidage	1		
10	Obturateur de l'arbre	2		
11	Agrafe longue du pignon	1		
17	Arbre moteur	1		
19	Pignon central	1		
20	Agrafe courte du pignon	1		
•	Oscillateur complet (comprend les Réf. 12, 13 et 14)	1	GW7502	GW7502
12	Petit joint coulissant	2		
13	Oscillateur	1		
14	Grand joint coulissant	2		
•	Protecteur de joints (comprend les Réf. 15 et 16)	1	GW7506	GW7506
15	Protecteur de joint droit	1		
16	Protecteur de joint gauche	1		
18	Châssis et butoir	1	41201-0242	41201-0242C
•	Butoir complet (comprend les Réf. 24, 25, 26, 27 et 28)	1	GW7501	GW7511
24	Agrafe droite du butoir	1		
25	Soufflet droit du butoir	1		
26	Butoir	1		
27	Soufflet gauche du butoir	1		
28	Agrafe gauche du butoir	1		
•	Trousse d'accessoires	1	77705-0400	77705-0400
	Comprend :			
	Régulateur	1		
	Couvercle du régulateur	1		
	Masse d'alourdissement de tuyau	2		
	Débitmètre	1		
	Cône de réduction	1		
	Déflecteur de buse à rotule	2		
	Raccord d'orifice de nettoyage à l'aspirateur (vac port)	1		
•	Tuyau souple court	1	GW9540	GW9540
•	Tuyau d'aspiration, section de 1 m	10	41201-0252	41201-0252
Les pièces ne sont pas livrables séparément :				
1	Corps extérieur	1		
7	Renfort de support	1		
9	Essieu en acier inoxydable	1		

- Pièces non illustrées.

RECHERCHE DES PANNES

Les problèmes les plus courants avec le nettoyeur :

- Le filtre est sale Le nettoyer
- Le panier de la pompe est sale Le nettoyer
- Des débris bouchent la partie inférieure du PoolShark Les enlever
- Le tuyau souple fuit Remplacer la section qui fuit
- Débris dans le régulateur d'aspiration Nettoyer le régulateur d'aspiration
- Aspiration faible Fermer le drain de fond de la piscine

Le nettoyeur automatique PoolShark ne se déplace pas ou bien ses pulsations sont lentes :

- S'assurer que le drain de fond de la piscine et que toutes les conduites d'aspiration sont fermées, à l'exception de celle sur laquelle le PoolShark est branché.
- Vérifier s'il y a des débris dans le filtre de l'écumoire ou de la pompe.
- Vérifier s'il y a des débris dans l'oscillateur du PoolShark. Les débris peuvent empêcher le mouvement de l'oscillateur ou limiter le débit dans le nettoyeur automatique.
- Vérifier l'oscillateur à la recherche de : Dommages, joints manquants (il doit y avoir 4 joints); joints obstrués (les joints doivent glisser librement sur l'oscillateur).
- S'assurer que la section avant courte du tuyau souple est dans la première position (juste après le nettoyeur automatique).

Pour installer les déflecteurs de buse à rotule :

La force de l'eau sortant de la conduite de retour peut pousser le tuyau du PoolShark et faire s'éloigner le PoolShark de la conduite de retour, ou bien le garder dans cette zone de la piscine. Pour remédier à cet incident, régler les déflecteurs des conduites de retour, ou bien poser les déflecteurs de buse à rotule livrés avec le PoolShark en procédant comme suit :

- Arrêter la pompe de circulation principale.
- Dans la piscine, dévisser la bague de verrouillage du raccord des conduites de retour, puis déposer les déflecteurs de buse à rotule d'origine.
- Les remplacer par les déflecteurs de buse à rotule du PoolShark.
- Reposer la bague de verrouillage et la serrer. S'assurer que l'ouverture des déflecteurs de buse à rotule est orientée vers le bas ou vers le côté (position 9 heures) de la piscine avant de complètement serrer la bague.

Habituellement, diriger le jet des conduites de retour vers le côté de la piscine (comme il est indiqué ci-dessus) permet d'obtenir un meilleur fonctionnement. Toutefois, on pourra essayer d'orienter le jet vers le bas ou dans des positions différentes, jusqu'à ce que l'on obtienne les meilleurs résultats.

Après avoir posé les déflecteurs de buse à rotule, mettre en marche la pompe de circulation. Le PoolShark doit commencer à se déplacer sur le fond de la piscine et aspirer tous les débris sur son passage.

- Si les déflecteurs de buse à rotule du PoolShark ne s'adaptent pas aux conduites de retour, régler le mieux possible les raccords des conduites de retour, comme il est indiqué ci-dessus.

Si le PoolShark passe toujours au même endroit :

- Dans la piscine, vérifier le débit de la conduite de retour d'eau et, selon le besoin, rediriger ce débit à l'aide d'un déflecteur de buse à rotule de conduite de retour (see "To install the eye-ball diverter" above).
- Vérifier le tuyau souple du PoolShark pour s'assurer qu'il n'est pas plié ni pincé. Ne pas enrouler le tuyau souple, sinon il conservera sa forme enroulée et la surface de nettoyage du nettoyeur automatique en sera ainsi réduite. Pour vérifier le tuyau souple, poser à plat sur la plage de la piscine (ou toute autre surface plane) chacune de ses sections et regarder le tuyau souple. Il doit être parfaitement plat et droit. Remplacer toutes sections de tuyaux souples pliées ou pincées.
- Vérifier l'oscillateur à la recherche de : Dommages, joints manquants (il doit y avoir 4 joints); joints obstrués (les joints doivent glisser librement sur l'oscillateur).
- S'assurer que la section avant courte du tuyau souple est dans la première position (juste après le nettoyeur automatique).

Pour piscines à fond carré seulement :

Si le rayon de transition entre les parois et le fond de la piscine est petit et que le PoolShark ne monte pas le long des parois, la piscine a alors un fond plat. Dans ce cas, sortir le nettoyeur automatique de la piscine et percer deux trous dans les évidements du butoir (se reporter à la Figure 12). Ces deux trous permettront à l'air de s'échapper, sinon l'air s'accumulera dans le butoir creux. Cet air, qui provient des bulles microscopiques en suspension dans l'eau de la piscine, s'échappe normalement lorsque le PoolShark monte le long des parois de la piscine.

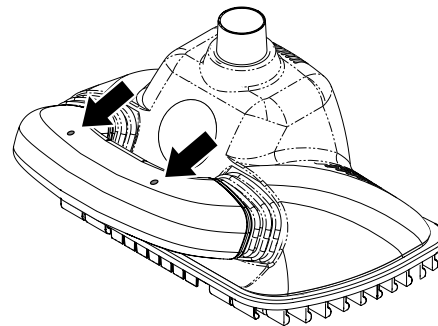


Figure 16 : Percer deux trous dans le butoir du nettoyeur automatique si la piscine est à fond carré.

GARANTIE LIMITÉE STA-RITE

Les pompes, les filtres, les écumoirs, les appareils d'éclairage immergés (à l'exception des ampoules) et les raccords fabriqués par Sta-Rite sont garantis contre tout défaut de matériel et/ou de fabrication pendant un (1) an à compter de la date de la première installation.

Cette garantie couvre le consommateur acheteur-utilisateur initial (« Acheteur ») seulement. Sta-Rite Industries réparera ou remplacera, à sa discrétion, tout produit défectueux. L'acheteur devra payer les frais de main-d'œuvre et d'expédition liés au remplacement d'un produit couvert par la garantie. Toute demande visant le service de la garantie doit être faite par l'intermédiaire du concessionnaire installateur. La présente garantie ne couvre pas les produits endommagés à la suite d'une négligence, d'un usage abusif, d'une installation ou d'un entretien non conforme ou de toute autre circonstance hors du contrôle direct de Sta-Rite. Si les produits ne sont pas installés par un professionnel et en conformité avec les codes locaux, les garanties du fabricant seront nulles.

La présente garantie énonce l'obligation de Sta-Rite de même que le recours exclusif de l'acheteur à l'égard des produits défectueux.

LA SOCIÉTÉ STA-RITE NE PEUT ÊTRE TENUE RESPONSABLE D'AUCUN DOMMAGE INDIRECT, ACCIDENTEL OU FORTUIT DE QUELQUE NATURE QUE CE SOIT.

LES PRÉSENTES GARANTIES SONT EXCLUSIVES ET REMPLACENT TOUTES LES AUTRES GARANTIES EXPRESSES. LES GARANTIES IMPLICITES, Y COMPRIS SANS TOUTEFOIS S'Y LIMITER, LES GARANTIES IMPLICITES DE QUALITÉ MARCHANDE ET D'APPROPRIATION À UN USAGE PARTICULIER, NE DOIVENT PAS DÉPASSER LA DURÉE DES GARANTIES EXPRESSES STIPULÉES DANS LES PRÉSENTES.

Puisqu'il est interdit dans certaines provinces d'exclure ou de limiter les dommages fortuits ou indirects, ou de limiter la durée d'une garantie implicite, les limitations ou exclusions précisées ci-dessus peuvent ne pas ne s'appliquer. La présente garantie vous confère des droits légaux spécifiques qui s'ajoutent aux droits prévus dans la province où vous habitez, le cas échéant.

Cette garantie remplace toutes les garanties précédemment publiées.

Garanties particulières

(en vigueur à compter de la date d'installation)

Famille de produit	Garantie limitée	Exceptions
Filtres	1 an	Système à 3 réservoirs – 10 ans
Vannes de filtre	1 an	
Pompes	1 an	
Chauffe-eau	2 ans	*Installation commerciale – 1 an
Dispositifs de commande	1 an	
Systèmes hors-sol	1 an	
Appareils d'éclairage	1 an	Lampes et ampoules – 90 jours
Produits White	1 an	
Matériel d'entretien	90 jours	
Purgeur/pompes à usage général	90 jours	
Pièces de remplacement	90 jours	
Nettoyeurs : Lil Shark	1 an	
Nettoyeurs : Calpyso	1 an	
Nettoyeurs : Pool Shark	2 ans	Brosse et volets étanches - 1 an
Nettoyeurs : Great White	2 ans	

* Installations commerciales et en immeubles collectifs.

Conservez ce certificat de garantie dans un endroit sûr et accessible pour consultation.

Pour obtenir les données techniques du produit, communiquez avec l'installateur ou appelez Sta-Rite au numéro (262) 728-9181. Visitez notre site Web : www.staritepool.com

- Vous y trouverez une foule de renseignements sur les produits Sta-Rite mentionnés ci-dessus
- Vous trouverez l'adresse du concessionnaire Sta-Rite le plus près de chez-vous

ENREGISTREZ VOTRE CERTIFICAT DE GARANTIE CHEZ STA-RITE :

• Remplissez le formulaire d'enregistrement de garantie disponible sur le site www.staritepool.com en cliquant sur « Register Products », puis sur Sta-Rite Pool **OU**

• Remplissez le coupon ci-dessous et envoyez-le par la poste dans les 10 jours après l'installation à Sta-Rite, à l'attention du Service des garanties de piscine, 293 Wright St., Delavan, WI 53115



Carte d'enregistrement de garantie

Nom _____

Première installation Remplacement

Adresse _____

Années d'utilisation de la piscine
 moins de 1 an 1-3 3-5 5-10

Ville _____ Province _____ Code postal _____

Magasin où le produit a été acheté :

Date d'installation (ou d'achat) _____

Nom de la compagnie _____

Produit _____

Adresse _____

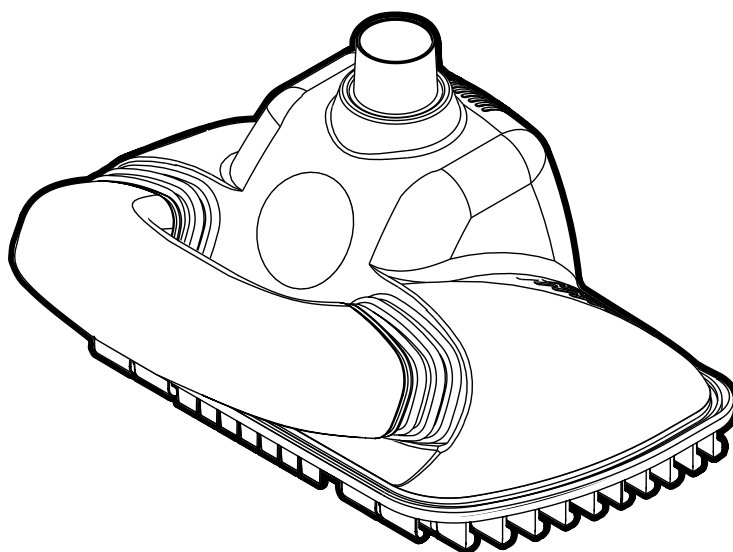
Numéro de modèle _____

Ville _____ Prov. _____ Code postal _____

STA-RITE®

Aspiradora PoolShark®

MANUAL DEL USUARIO



INSTALACIÓN, OPERACIÓN Y REPUESTOS



Sta-Rite Pool/Spa Group

293 Wright Street, Delavan, WI 53115

International: 262-728-5551, FAX: 262-728-7550

www.starite.com

Union City, TN • Delavan, WI • Mississauga, ON • Murrieta, CA

© 2005, Sta-Rite Industries

S788 (4/12/05)

¡LEA LA SIGUIENTE INFORMACIÓN ANTES DE INSTALAR SU ASPIRADORA AUTOMÁTICA DE PISCINAS!

Seguridad:

⚠ Este es un símbolo de alerta de seguridad. Cuando vea este símbolo en su sistema o en este manual, ubique una de las palabras de señal siguientes y manténgase alerta a posibles lesiones personales.

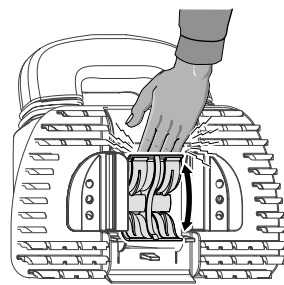
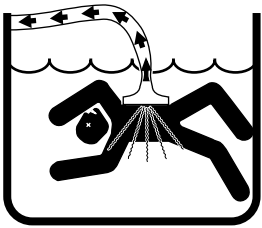
⚠ PELIGRO advierte sobre peligros que **causarán** muerte, lesiones personales graves o daños considerables a la propiedad, si se ignoran.

⚠ ADVERTENCIA advierte sobre peligros que **pueden** causar muerte, lesiones personales graves o daños considerables a la propiedad, si se ignoran.

⚠ PRECAUCIÓN advierte sobre peligros que **causarán o pueden causar** lesiones personales o daños menores a la propiedad, si se ignoran.

Lea y siga cuidadosamente todas las instrucciones de seguridad que aparecen en este manual y en el equipo. Mantenga las etiquetas de seguridad en buen estado; vuelva a colocar las que falten o las que estén dañadas.

⚠ ADVERTENCIA	Aspiración peligrosa. Puede atrapar y arrancar el cabello o partes del cuerpo. Puede causar que una persona se ahogue. No juegue con la aspiradora ni con la manguera y no la aplique contra su cuerpo. No permita que los niños usen o jueguen con una aspiradora de piscinas. Detenga la bomba antes de tratar de limpiar la unidad. No permita que haya nadadores en la piscina mientras esté funcionando la aspiradora.
----------------------	---



⚠ PRECAUCIÓN El oscilador puede lesionar las manos o los dedos de la mano. **Detenga la bomba** antes de tratar de limpiar el cabezal de la aspiradora de piscinas.

⚠ ADVERTENCIA La manguera puede hacer que los nadadores se tropiecen o se enreden.

No permita que haya nadadores en la piscina mientras esté funcionando la aspiradora.

SU PISCINA Y SU SISTEMA DE FILTRACIÓN:

⚠ Antes de instalar su aspiradora, es importante que examine y comprenda todas las advertencias y la información sobre la seguridad que aparecen en el interior de la tapa delantera de este manual.

Lista de chequeo antes de la instalación

Antes de instalar la aspiradora en una piscina con forro de vinilo:

Inspeccione el forro cuidadosamente y verifique que no tenga señales de deterioro o de averías debido a su antigüedad, a las sustancias químicas, daños en los muros de la piscina, etc. Si encuentra averías, haga que un profesional capacitado en piscinas lleve a cabo todas las reparaciones necesarias. Asimismo, si hay piedras, raíces, etc. debajo del forro, sáquelas antes de instalar la aspiradora.

Antes de instalar la aspiradora en una piscina de gunito o en una piscina que esté parcialmente o completamente recubierta de azulejos:

Repare los azulejos flojos y apriete todos los aros livianos que estén flojos.

Antes de instalar la aspiradora, limpie su sistema de filtración:

Asegúrese de que haya limpiado el filtro, incluyendo retrolavado y enjuague y que haya vaciado todas las cestas. Es necesario tener un sistema limpio para obtener una operación y una cobertura correctas de limpieza.

Antes de instalar la aspiradora, llene la manguera con agua:

Siempre asegúrese de que el cabezal de la aspiradora esté sumergido y que la manguera esté llena de agua antes de conectar la aspiradora al sistema de filtración (ya sea a través de una espumadera o de un accesorio dedicado en el muro). El aire en el sistema puede dañar la bomba con un funcionamiento en seco que la puede recalentar.

Antes de instalar la aspiradora, es importante comprender la cobertura de la misma:

La aspiradora ha sido diseñada para eliminar los escombros de su piscina en aproximadamente 4 a 6 horas. Es posible que se requiera menos tiempo, según el tamaño de la piscina.

La aspiradora no ha sido diseñada para limpiar los escalones o las salidas de la piscina automáticamente ni para funcionar debajo de una cubierta solar. Tampoco fue diseñada para llevar a cabo la limpieza inicial de una piscina nueva o cuando se vuelve a abrir la piscina al comienzo de la temporada.

⚠ ADVERTENCIA Peligro de quedarse atrapado, lesionarse o ahogarse. Si su piscina tiene un orificio de aspiración dedicado para la aspiradora o el aparato de limpieza automática de la piscina, éste deberá estar cubierto cuando no se use. Su aparato de limpieza viene con una cubierta de seguridad a resorte (un accesorio para el orificio de aspiración). Instale este accesorio en el orificio de aspiración para impedir que una persona pueda quedar atrapada o se lesione. Si la cubierta provista no encaja debidamente, compre una del tamaño adecuado en la tienda local de artículos para piscinas e instálela en su lugar. La cubierta debe cumplir con las disposiciones de la norma IAPMO SPS4-99A.

ÍNDICE

Seguridad	2
Instalación	3-6
Mantenimiento	6
Ajustes y conexiones de la aspiradora.....	7
Desensamblaje	8-9
Repuestos	10-11
Localización de fallas.....	12
Garantía	13

INSTALACIÓN

Por favor use la tarjeta conveniente y resistente al agua de **“Instrucciones de Instalación”**.

Paso 1: Instale la puerta del orificio de aspiración

Si el orificio de aspiración no tiene una puerta a resorte, instale la cubierta incluida.

Si su piscina sólo tiene un espumador y no cuenta con un orificio de aspiración dedicado, continúe con el Paso 2.

1. Atornille el accesorio en la abertura del orificio.
2. Dirija el accesorio de manera que la flecha en la puerta apunte hacia arriba.

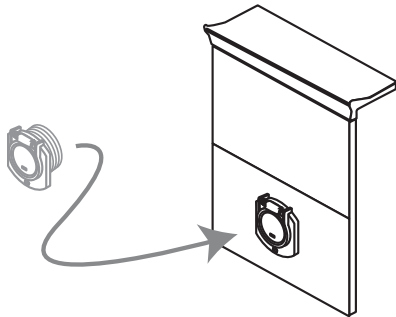


Figura 1

3. Fije la cubierta apretando el tornillo Allen detrás de la puerta.

Paso 2: Enderece la manguera (Figura 2)

Saque la manguera de la caja y desenróllela. Colóquela al sol en posición plana y recta.

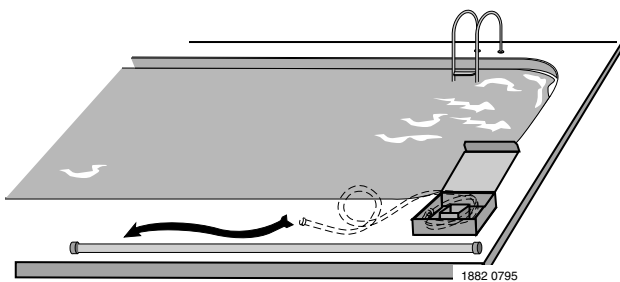


Figura 2

Paso 3: Inspeccione la piezas (Figura 3)

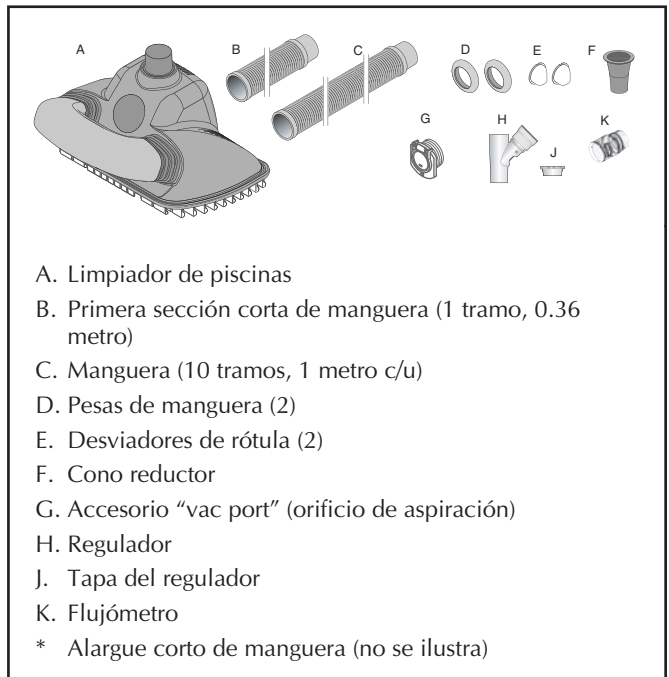


Figura 3

Paso 4: Limpie el sistema de filtración (Figura 4)

Enjuague y limpie el filtro; limpie las cestas, etc. Encienda la bomba.

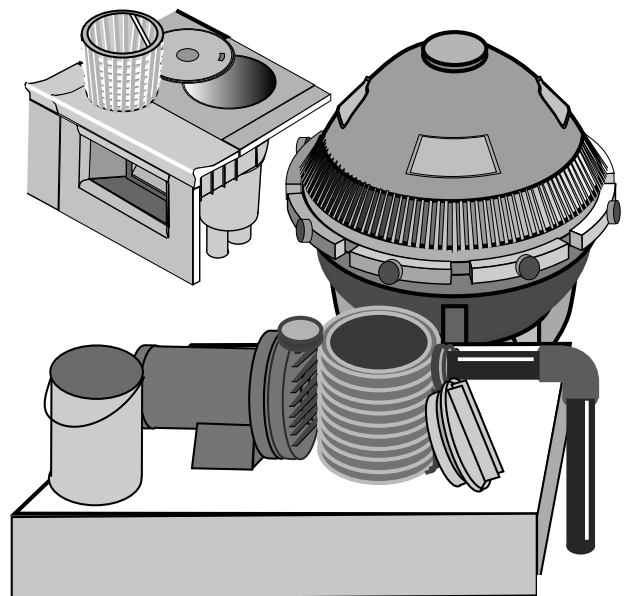


Figura 4

Paso 5: Ajuste las válvulas para la aspiración (Figura 5)

Decida qué conexión de aspiración usará (ya sea la del espumador o un accesorio dedicado en el muro) y ajuste las válvulas de la bomba (si su sistema las tiene) para dirigir toda la aspiración hacia allí.

Cierre el desagüe principal (también consulte “Cómo poner a punto la aspiración”, Página 7).

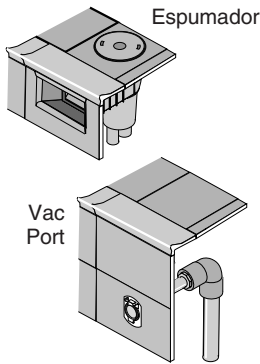


Figura 5

Paso 6: Instale el Regulador en las piscinas con un orificio de aspiración dedicado

El regulador de la piscina regula la cantidad de aspiración en la línea para garantizar una limpieza óptima.

Si su piscina tiene un accesorio dedicado en el muro, además del espumador, siga el procedimiento indicado a continuación.

1. Apague la bomba de la piscina.
2. Coloque el regulador en el espumador según se ilustra. La tapa debe colocarse en la parte superior.

Si es necesario, use el cono de adaptación.

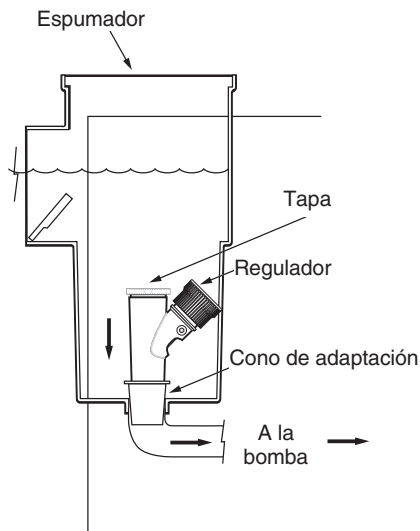


Figura 6 - Regulador en el espumador.

3. Conecte un tramo de manguera al orificio de aspiración.

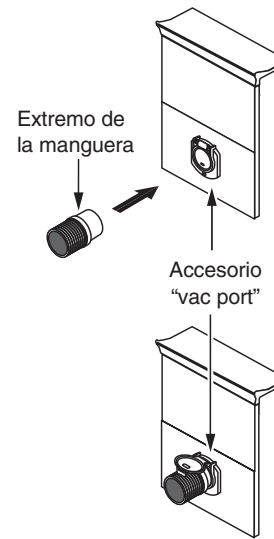


Figura 7 - Conexión del orificio de aspiración.

Paso 7: Piscinas con espumador solamente

1. Apague la bomba de la piscina.
2. Coloque el regulador en el espumador según se ilustra. No instale la tapa.

Si es necesario, use el cono de adaptación.

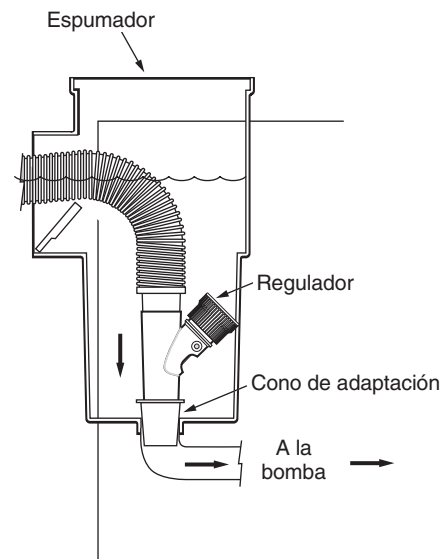


Figura 8 - Regulador en el Espumador.

3. Sumerja un tramo de manguera para que se llene con agua.
4. Introduzca el extremo “macho” de la manguera en el regulador.

Paso 8: Conecte las secciones de manguera (Figuras 9 y 10).

Para obtener los mejores resultados y mantener un funcionamiento correcto, use sólo mangueras genuinas o repuestos directos (Consulte la página de Piezas de Repuesto).

Una las secciones de manguera entre sí, encajando el extremo macho en el extremo hembra de la sección agregada (consulte la Figura 9). Verifique que las conexiones estén bien ajustadas. La cantidad de tramos necesarios dependerá del tamaño de su piscina.

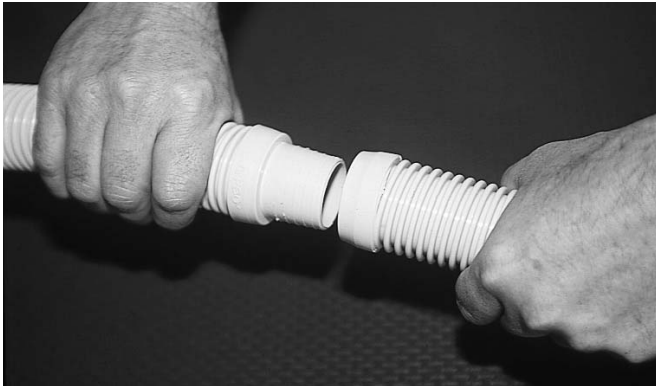


Figura 9

El largo total de manguera necesario será la distancia entre: (a) el punto en el que conecta la manguera a la conexión de aspiración, y (b) el punto más lejano de la piscina desde (a), más un tramo de manguera adicional (Figura 10).

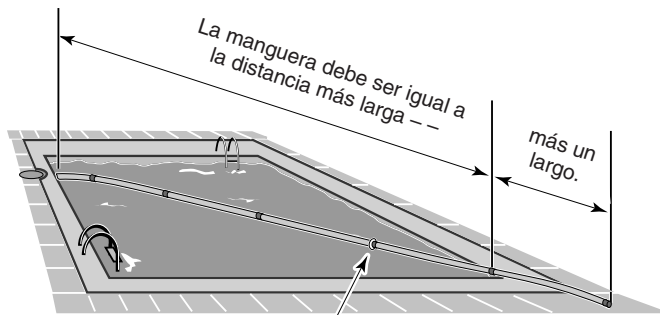


Figura 10

Sumerja la manguera para que se llene con agua y se expulse el aire de la misma. Conecte un extremo de la manguera a la fuente de aspiración según se describe en los Pasos 2 y 3. Mantenga el otro extremo de la manguera accesible.

Paso 9: Ajuste el flujo

1. Introduzca el flujómetro en el extremo abierto de la manguera, aún sumergido.
2. Encienda la bomba.
3. Gire la perilla de ajuste en el regulador de flujo hasta que el indicador en el flujómetro se encuentre entre el flujo máximo y mínimo (Consulte la Figura 11).



Figura 11 - Flujo indicado en el flujómetro.

NOTA: Si su bomba es muy fuerte y el flujo es aún demasiado rápido, abra ligeramente el desagüe principal.

4. Apague la bomba.
5. Saque el flujómetro y conecte la manguera al limpiador.

Paso 9: Conecte la manguera al Limpiador.

Conecte el puño de la manguera de 14 pulgadas (0.36 m) al limpiador (el extremo correcto de la manguera está marcado). Agregue otras secciones de manguera según se ilustra en la Figura 10.

Llene el limpiador con agua y deje que se hunda hasta el fondo.

Inspeccione las conexiones de la manguera según se ilustra en la página siguiente y verifique que las válvulas de compuerta estén totalmente abiertas en la línea de aspiración.

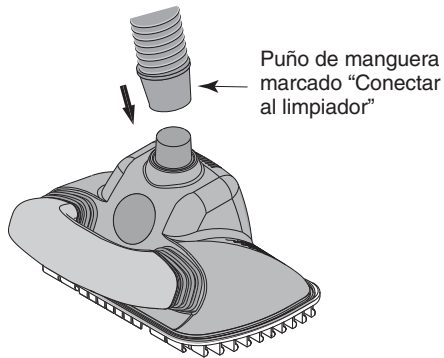


Figura 12

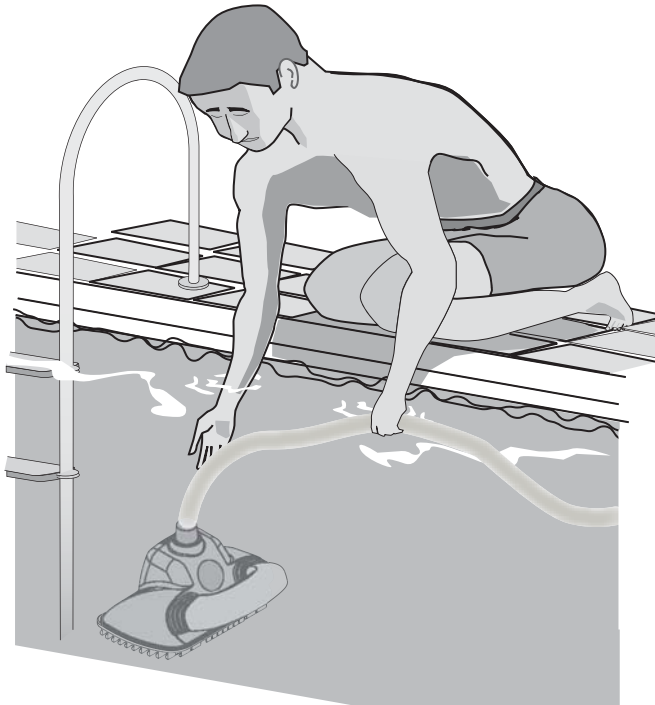


Figura 13

MANTENIMIENTO

⚠ ADVERTENCIA Aspiración peligrosa. La aspiración de PoolShark puede atrapar a los nadadores, causar lesiones graves o ahogarlos. No opere la aspiradora PoolShark si hay gente usando la piscina. No permita que nadie juegue con PoolShark o con sus mangueras.

Su PoolShark puede permanecer en la piscina en todo momento, excepto durante los tratamientos con productos químicos. Sin embargo, cuando haya personas usando la piscina, desconecte PoolShark y empújela hacia un lado de la piscina.

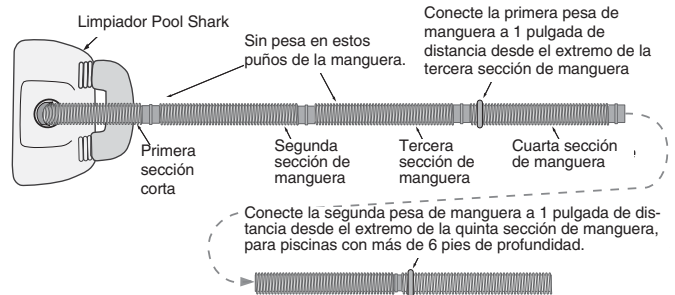
PoolShark no requiere casi ningún tipo de mantenimiento. Abra y cierre la válvula reguladora manualmente, de vez en cuando, para eliminar la suciedad o los escombros que se puedan haber acumulado y así garantizar una operación sin problemas. Además, de vez en cuando, inspeccione visualmente PoolShark para verificar que:

- El oscilador se mueva libremente y no esté obstruido con escombros.
- El cojinete de aspiración no esté demasiado gastado. Cambie los cojinetes de tracción en la parte inferior cuando vea que están muy gastados,

AVISO: Cuando guarde PoolShark, no enrolle la manguera. Al contrario, extiéndala en forma plana en un área protegida contra la luz directa del sol. Use solamente una manguera genuina PoolShark. La garantía quedará anulada si la aspiradora se opera con mangueras que no sean genuinas PoolShark.

Equilibrio de la manguera

Puede o no ser necesario agregar peso a su manguera, según el tamaño, el formato y la profundidad de su piscina. Pruebe el limpiador primero sin ninguna pesa de manguera. Si la manguera flota demasiado, agregue una pesa según se ilustra en la Figura 14.



5049 0605

Figura 14

AVISO: ¡NO perfore orificios si su PoolShark PUEDE trepar por los muros de la piscina!

▲ ADVERTENCIA La aspiración de la bomba de la piscina es **peligrosa y puede atrapar causando lesiones personales graves o ahogando a la persona**. Use un regulador de aspiración (ver instrucciones a continuación) en el sistema de limpieza de la piscina en todo momento.

AVISO: El sistema hidráulico y las conexiones de aspiración de cada piscina son diferentes. Asegúrese de haber instalado la **válvula reguladora de aspiración** antes de ajustar el sistema. Ésta no solamente regula la aspiración, sino que también actúa como un dispositivo de seguridad.

AJUSTES Y CONEXIONES DE LA ASPIRADORA

▲ ADVERTENCIA Peligro de quedar atrapado, de ahogarse y de lesiones. Si su piscina tiene una abertura de aspiración ("puerta de aspiración") dedicada para la instalación de una aspiradora o para un aparato de limpieza automática de piscinas, es importante cubrirlo cuando no se esté usando. Compre una cubierta de seguridad a resorte en su tienda local e instale esta cubierta en la abertura de aspiración para evitar lesiones y la posibilidad de quedar atrapado.

Es importante que el **"PROPIETARIO NOVICIO DE UNA PISCINA"**, para quien la limpieza con aspiradora es una experiencia nueva, lea todos los puntos siguientes, las instrucciones de instalación y la guía de localización de fallas con atención. Importante:

- *"Línea de aspiración dedicada", "puerta de aspiración" y "accesorio de aspiración"* son palabras diferentes que describen un orificio en el muro lateral de la piscina. Este orificio está conectado a la aspiración de la bomba y está dedicado a la aspiración de limpieza.
- Ciertas piscinas no tienen una puerta de aspiración. Si su piscina no la tiene, es importante que lea la advertencia que precede sobre el *"Peligro de quedarse atrapado con la aspiración"*.

Si usted es un **"PROPIETARIO DE PISCINA CON EXPERIENCIA"**: Los ajustes de aspiración y conexión de la aspiradora de limpieza automática de piscinas pueden ser similares a los que se emplean con la aspiradora manual de piscinas. Por favor continúe leyendo.

Ajustes de las válvulas (bomba, espumadera y desagüe principal) y de la aspiración

Es posible que necesite un poco de tiempo para ajustar las válvulas de la espumadera y del desagüe principal y obtener la mejor graduación de aspiración para una buena operación de limpieza. Una vez que haya encontrado las graduaciones correctas de las válvulas para la mejor operación, le sugerimos que marque las válvulas para garantizar la repetición exitosa de este procedimiento.

Latas en línea para hojas

Si su piscina está sometida a grandes cantidades de hojas, le sugerimos que compre e instale una lata en línea para hojas. Esta lata le proporcionará una mayor capacidad de carga para los escombros y también servirá como desvío del agua cuando la lata esté llena. ¡Es muy importante que no le falte agua a la bomba!

Línea de aspiración dedicada/puerta de aspiración/accesorio de aspiración

Ciertas piscinas tienen un accesorio dedicado en el muro solamente para la aspiración de limpieza. Si usa una conexión en el muro, es posible que observe que la tapa transparente de la bomba muestra señales de burbujas o lo que parece ser la presencia de aire. Para eliminar esto, abra ligeramente la válvula principal de desagüe para suplementar la admisión de agua. Es posible que la aspiradora trabaje más lentamente cuando usted cambie la aspiración.



Figura 15: Puerta de aspiración dedicada típica

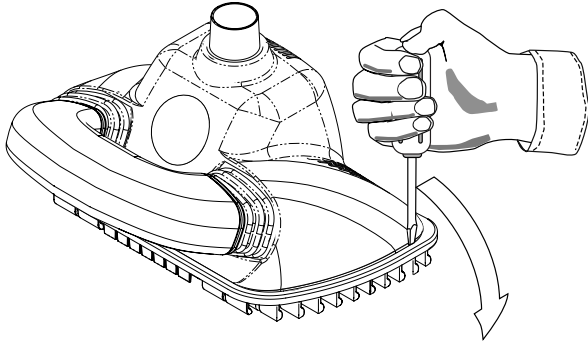
Planchas de aspiración de la espumadera

Ciertos propietarios de piscinas conectan la manguera a una plancha de aspiración en la espumadera, que permite que la cesta de la espumadera permanezca en la misma. Si se usa este método, es importante vaciar la cesta con frecuencia. También es importante verificar que el regulador de aspiración provisto esté totalmente sumergido para que no aspire aire y perjudique la bomba.

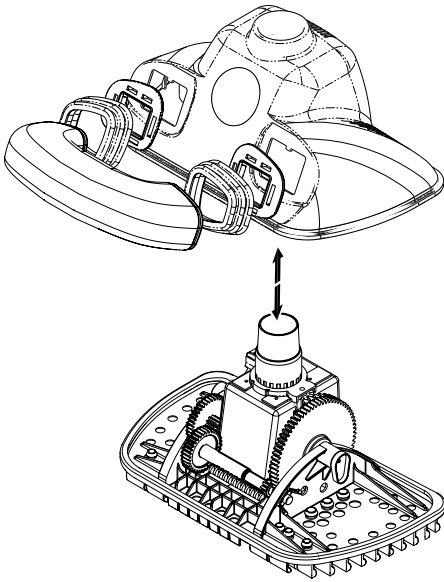
Ajustadores de control de aspiración de la plancha de aspiración de la espumadera

Ciertos propietarios de piscinas usan uno de los tipos diferentes de planchas de aspiración de espumaderas ofrecidas por los fabricantes. Algunas tienen un ajustador de control de aspiración y otras no lo tienen. El ajustador puede ser de tipo de atornillar, a resorte, o con cuadrante. En el caso de las planchas de aspiración con ajustadores, es importante ajustarlas al mismo tiempo que se ajuste la aspiración de la aspiradora.

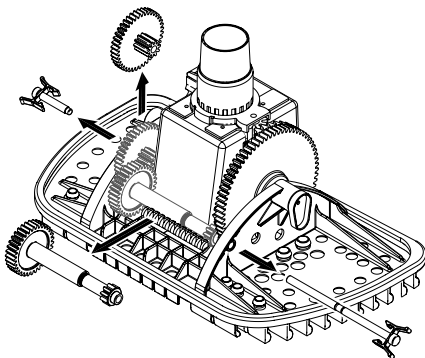
Desensamblaje



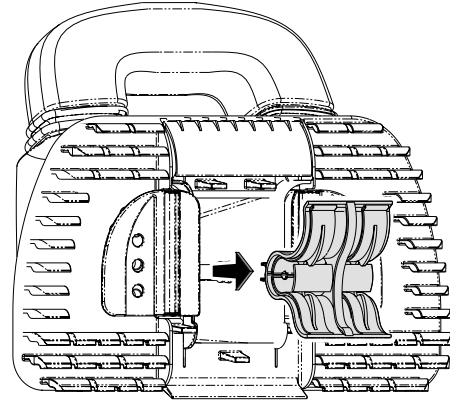
Paso 1: Con un destornillador, empuje cuidadosamente el cojinete de caucho de la aspiradora hacia abajo y sobre el borde de la Caja Exterior.



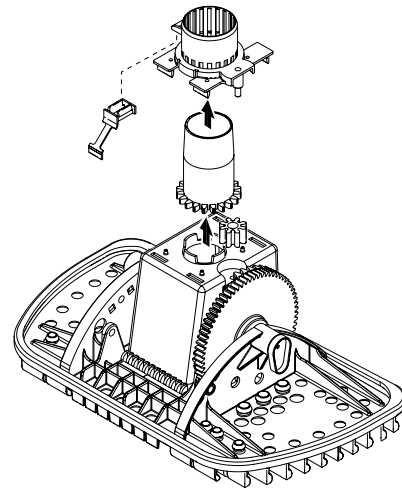
Paso 2: Levante la Caja Exterior hacia arriba y hacia afuera del bastidor. Apriete las lengüetas en los Clips del Amortiguador (dentro de la caja) para sacar el Amortiguador. El Amortiguador, los Separadores del Amortiguador y los Clips del Amortiguador se separan.



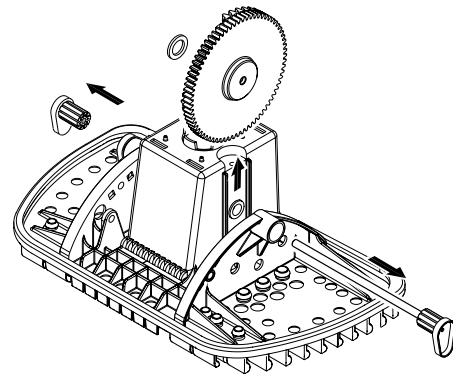
Paso 3: Apriete y tire de los Clips de la Corona Dentada para soltar la Unidad del Eje Motor y la Corona Dentada Central.



Paso 4: Saque el Oscilador hacia fuera del fondo de la Caja Exterior. Tenga cuidado de no perder las Juntas Deslizantes.

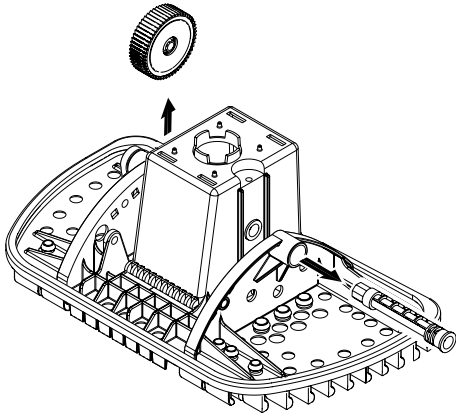


Paso 5: Apriete las lengüetas de sujeción y tire de la Caja de la Placa Giratoria y de la Placa Giratoria. La unidad saldrá hacia arriba, liberando la Corona Dentada de la Placa Giratoria. Apriete las lengüetas de sujeción para retirar el Clip del Embrague.

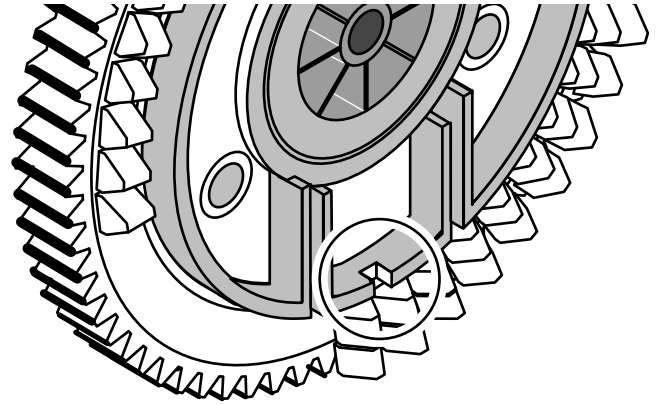


Paso 6: Saque el Tapón del Eje con el eje de acero inoxidable y la Unidad Motora Grande de Dirección.

Desensamblaje (continúa)

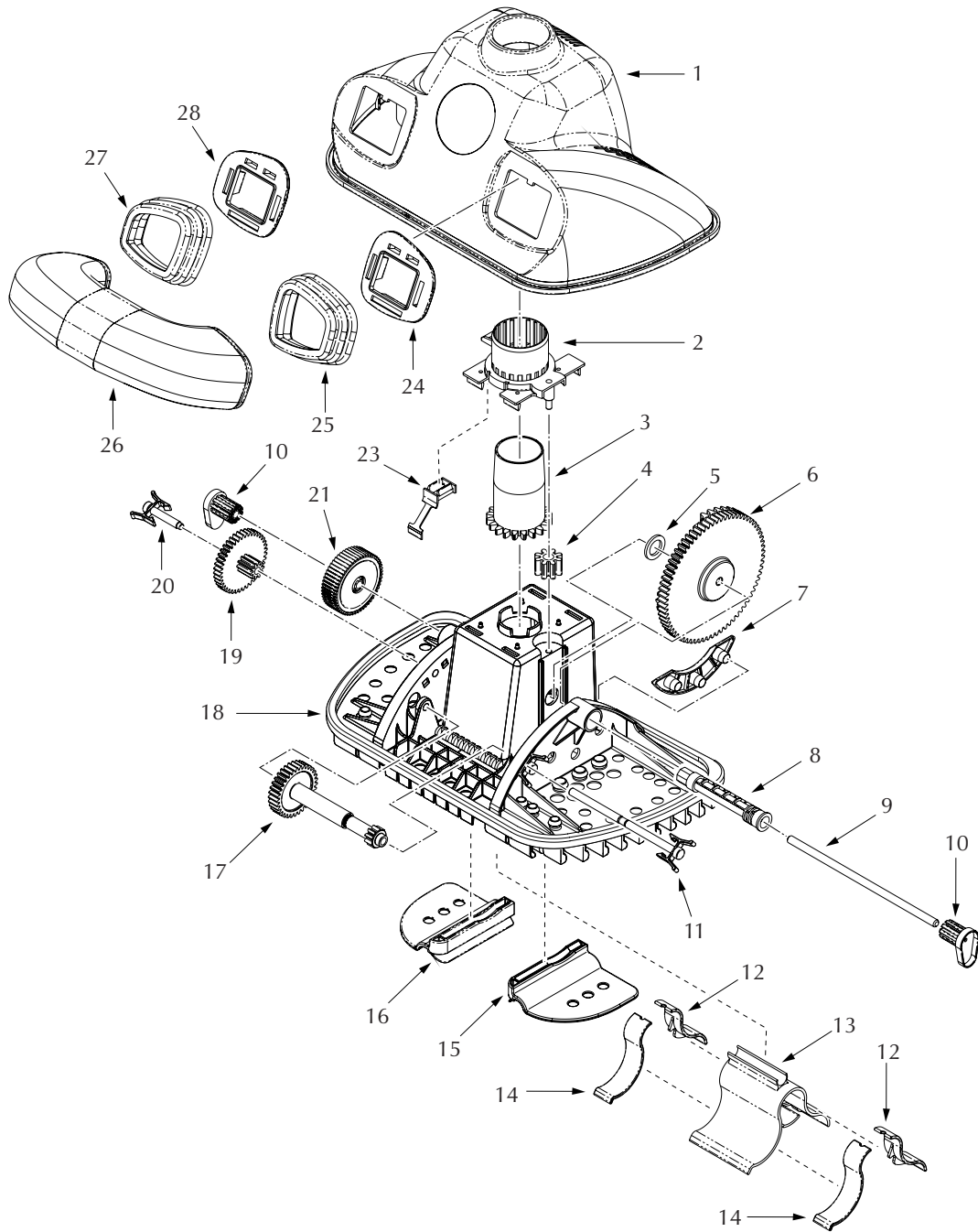


Paso 7: Saque el manguito del oscilador, soltando el manguito de la camisa del oscilador y la unidad de embrague.



Re-ensamblaje: Para volver a ensamblar PoolShark, invierta los pasos que preceden. NOTA: La muesca en el disco central de la Unidad Motora Grande de Dirección debe estar hacia abajo (según se ilustra) para poder ensamblarla.

Vista despiezada de PoolShark



3908 0201

Lista de Repuestos de PoolShark

Clave No.	Descripción de la pieza	Cantidad	Modelo GW7500	Modelo GW7700
•	Juego de la dirección (incluye claves Nos. 2, 3, 4)	1	GW7505	GW7515
2	Caja de la Placa Giratoria	1		
3	Placa Giratoria	1		
4	Corona dentada de la Placa Giratoria	1		
23	Clip del embrague	1		
•	Juego del embrague (incluye claves Nos. 5, 8, 21, 23)		GW7503	GW7503
5	Manguito de la camisa del oscilador	1		
8	Camisa del oscilador	1		
21	Unidad del embrague	1		
•	Juego de Engranaje (incluye claves Nos. 6, 10, 11, 17, 19, 20)		GW7504	GW7504
6	Unidad Motora Grande de Dirección	1		
10	Tapón del eje	2		
11	Clip largo de la corona dentada	1		
17	Unidad del eje motor	1		
19	Corona dentada central	1		
20	Clip corto de la corona dentada	1		
•	Juego del oscilador (incluye claves Nos. 12, 13, 14)	1	GW7502	GW7502
12	Junta pequeña deslizante	2		
13	Oscilador	1		
14	Junta grande deslizante	2		
•	Juego de alas selladoras (incluye claves Nos. 15, 16)	1	GW7506	GW7506
15	Ala selladora derecha	1		
16	Ala selladora izquierda	1		
18	Chasis con cojinete	1	41201-0242	41201-0242C
•	Juego del amortiguador (incluye claves Nos. 24, 25, 26, 27, 28)	1	GW7501	GW7511
24	Clip del amortiguador derecho	1		
25	Separador del amortiguador derecho	1		
26	Amortiguador	1		
27	Separador del amortiguador izquierdo	1		
28	Clip del separador del amortiguador izquierdo	1		
•	Juego de accesorios	1	77705-0400	77705-0400
	Incluye: Válvula reguladora	1		
	Tapa del regulador	1		
	Peso para manguera	2		
	Flujómetro	1		
	Cono reductor	1		
	Desviador esférico	2		
	Accesorio para el orificio de aspiración	1		
•	Manguera corta de conducto	1	GW9540	GW9540
•	Manguera de aspiración, segmento de 1 metro	10	41201-0252	41201-0252
Piezas no disponibles por separado:				
1	Caja exterior	1	41201-0201	41201-0201
7	Puntal de soporte	1	41201-0232	41201-0232
9	Eje de acero inoxidable	1	41201-0213	41201-0213

• No se ilustra.

LOCALIZACIÓN DE FALLAS

Causas comunes de problemas con la aspiradora:

- | | |
|---|------------------------------|
| • Filtro sucio | Limpie el filtro |
| • Cesta sucia en la criba para cabello y pelusa de la bomba | Limpie la cesta |
| • Escombros bloquean la parte inferior de PoolShark | Elimine los escombros |
| • Fugas en la manguera | Saque la sección con fugas |
| • Escombros en la válvula reguladora | Limpie la válvula reguladora |
| • Poca aspiración en la aspiradora | Cierre el desagüe principal |

PoolShark no se mueve o pulsa lentamente:

- Asegúrese de que el desagüe principal y todas las otras líneas de aspiración estén cerradas a excepción de la línea de aspiración a la cual se ha conectado PoolShark.
- Verifique que no hayan escombros en el filtro o en la cesta de la criba de la bomba.
- Verifique que no hayan escombros en el oscilador de PoolShark. Los escombros pueden impedir el movimiento del oscilador o restringir el flujo por la aspiradora.
- Inspeccione el oscilador y verifique que no hayan averías, que no falten las juntas (debe haber 4 juntas), que las juntas no estén obstruidas (las juntas deben deslizarse libremente en el oscilador).
- Asegúrese de que la sección de la manguera corta y blanda de conducto sea la primera sección en el ensamblaje de la manguera (próxima a la aspiradora).

Cómo instalar el desviador esférico:

El flujo de agua desde la línea de retorno, puede empujar la manguera de PoolShark haciendo que ésta evite la línea de retorno o permanezca en un área determinada de la piscina. Para corregirlo, ajuste los desviadores de la línea de retorno existentes o instale los desviadores esféricos provistos con PoolShark, de la siguiente manera:

- A. Apague la bomba principal de circulación.
- B. Destornille los aros de fijación del accesorio de las líneas de retorno de la piscina y saque los desviadores esférico original.
- C. Cámbielo por los desviadores esférico de PoolShark.
- D. Vuelva a colocar los aros de fijación y apriételo. Asegúrese de que las aberturas del desviadores esférico señale hacia abajo o hacia un lado (posición de las 9 en el reloj), antes de apretar los aros completamente.

Generalmente, es mejor dirigir el flujo de agua de la línea de retorno hacia el lado de la piscina (según se describe arriba). Sin embargo, usted puede tratar de dirigir el flujo hacia abajo o en diferentes posiciones para ver cuál funciona mejor en su piscina.

Después de instalar los desviadores esféricos, encienda la bomba de circulación. PoolShark se comenzará a mover a través del piso de la piscina, aspirando los escombros en su camino.

- E. Si los desviadores esférico de PoolShark no encaja bien en el accesorio existente de su líneas de retorno, ajuste los accesorios existentes de la mejor forma posible, según se describe arriba.

Si PoolShark se mueve en un patrón repetitivo:

- Examine el flujo de agua en la línea de retorno de la piscina y cambie la dirección según sea necesario con un desviador esférico en la línea de retorno (ver No. 4 "Cómo instalar el desviador esférico", en la sección de Ajustes Iniciales y Verificaciones Operacionales, página 5).
- Inspeccione la manguera de PoolShark y verifique que no esté doblada ni torcida. No enrolle la manguera, ya que retendrá el formato enrollado y reducirá la cobertura de la limpieza. Para inspeccionar la manguera, extiéndala plana sobre la plataforma de la piscina (u otra superficie plana) y mire a través de toda su longitud. Debe estar perfectamente plana y recta. Cambie las secciones que estén dobladas o torcidas.
- Inspeccione el oscilador y verifique que no hayan averías, que no falten las juntas (debe haber 4 juntas), que las juntas no estén obstruidas (las juntas deben deslizarse libremente en el oscilador).
- Asegúrese de que la sección de la manguera corta y blanda de conducto sea la primera sección en el ensamblaje de la manguera (próxima a la aspiradora).

Para piscinas con fondos cuadrados solamente:

Si el radio de transición entre el piso de su piscina y el muro es pequeño y PoolShark no trepa los muros de la piscina, entonces usted tiene una piscina con fondo cuadrado. Si es así, saque la aspiradora de la piscina y perfore dos orificios en las hendiduras del amortiguador (ver Figura 12). Esto proporcionará una salida para el aire que, de lo contrario, se acumularía en el amortiguador hueco. Este aire, proveniente de burbujas microscópicas suspendidas en el agua de la piscina, generalmente se puede escapar cuando PoolShark trepa los muros de la piscina.

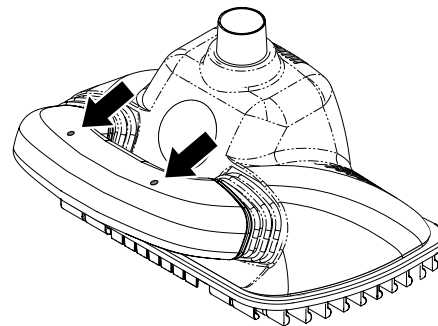


Figura 16: Perfore el amortiguador si tiene una piscina de fondo cuadrado.

GARANTÍA LIMITADA DE STA-RITE

Las bombas, los filtros, espumadores, las luces submarinas (excluyendo los focos), y los accesorios fabricados por Sta-Rite están cubiertos por una garantía contra defectos en material y/o mano de obra por un (1) año desde la fecha inicial de instalación.

Las garantías que anteceden sólo le corresponden al consumidor comprador inicial ("Comprador"). Sta-Rite Industries tendrá la opción de reparar o de reemplazar el producto defectuoso, a su solo juicio. Los Compradores deberán pagar todos los gastos de mano de obra y de envío necesarios para reemplazar el producto cubierto por esta garantía. Las solicitudes de servicio bajo garantía se deberán realizar a través del concesionario instalador. Esta garantía no se aplicará a ningún producto que haya sido sometido a negligencia, mal uso, instalación inadecuada o mal mantenimiento, o a cualquier otra circunstancia que no se encuentre bajo el control directo de Sta-Rite. Si este producto no ha sido instalado por un profesional conforme a los códigos locales, esta garantía y todas las garantías de los fabricantes quedarán invalidadas.

Esta garantía establece la obligación de Sta-Rite y el recurso exclusivo del Comprador con respecto a los productos defectuosos.

STA-RITE NO SE HARÁ RESPONSABLE DE NINGÚN DAÑO CONSECUENTE, INCIDENTAL O CONTINGENTE.

LAS GARANTÍAS QUE ANTECEDEN SON EXCLUSIVAS Y EN LUGAR DE TODA OTRA GARANTÍA EXPLÍCITA O IMPLÍCITA, INCLUYENDO PERO SIN LIMITARSE A LAS GARANTÍAS IMPLÍCITAS DE COMERCIABILIDAD E IDONEIDAD PARA UN FIN ESPECÍFICO, Y NO SE EXTENDERÁN MÁS ALLÁ DE LA DURACIÓN DE LAS GARANTÍAS EXPLÍCITAS CORRESPONDIENTES SUMINISTRADAS EN LA PRESENTE.

Algunos estados no permiten la exclusión o limitación de daños incidentales o consecuentes o de limitaciones de tiempo sobre garantías implícitas, de modo que es posible que las limitaciones o exclusiones que preceden no correspondan en su caso. Esta garantía le otorga derechos legales específicos y es posible que usted también tenga otros derechos que pueden variar de un estado al otro.

Reemplaza toda publicación anterior.

Garantías Específicas de los Productos (a partir de la fecha de su instalación)

Familia de productos	Garantía Limitada	Excepciones
Filtros	1 Año	Unidades de tanque del Sistema 3 - 10 años
Válvulas de filtro	1 Año	
Bombas	1 Año	
Calentadores	2 Años	*Uso comercial - 1 año
Controles	1 Año	
Sistemas sobre el suelo	1 Año	
Luces y nichos	1 Año	Lámparas y focos - 90 Días
Productos blancos	1 Año	
Equipo de mantenimiento	90 Días	
Bombas de drenaje/ uso general	90 Días	
Refacciones	90 Días	
Limpiadores: Lil Shark	1 Año	
Limpiadores: Calypso	1 Año	
Limpiadores: Pool Shark	2 Años	Pedales y charnelas selladoras - 1 año
Limpiadores: Great White	2 Años	

* Uso comercial y plurifamiliar.

Guarde este certificado de garantía en un lugar seguro y conveniente para su información.

Para obtener información técnica sobre este producto, comuníquese con el instalador o llame a Sta-Rite, al 262-728-9181.

Visite www.staritepool.com

- para obtener más información sobre los productos Sta-Rite indicados arriba
- para ubicar un concesionario de Sta-Rite cercano a usted

PARA CREAR UN REGISTRO DE SU GARANTÍA CON STA-RITE:

• Llene un registro de garantía en www.staritepool.com pulsando en "Registro de Productos" y seleccionando Albercas Sta-Rite **O**

• Llene la porción inferior y envíela por correo dentro de los 10 días de la instalación, a Sta-Rite, a la atención del Departamento de Garantías de Piscinas, 293 Wright St., Delavan, WI 53115.



Tarjeta de registro de garantía

Nombre _____

Nueva Instalación Reemplazo

Dirección _____

Años de servicio de la alberca menos de 1 1-3 3-5 5-10

Ciudad _____ Estado _____ Código postal/Zip _____

Este producto se compró en:

Fecha de instalación (o de compra) _____

Nombre de la empresa _____

Producto adquirido _____

Dirección _____

Número de modelo _____

Ciudad _____ Estado _____ Código postal/Zip _____