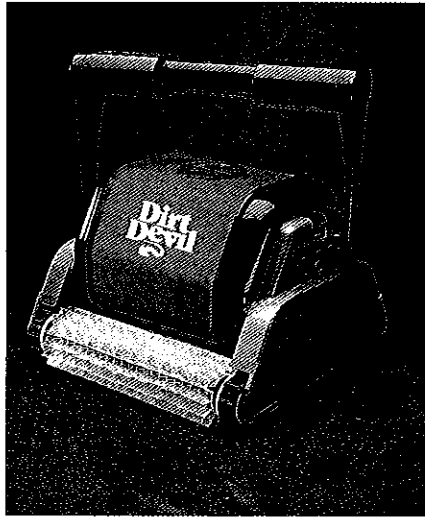


# Dirt Devil

## Owners Manual

*Dirt Devil Plus, & Dirt Devil QC*



### Contents

General Information .....	6
General Operating Instructions .....	6
Dirt Devil QC, Dirt Devil Plus	
Operating Instructions .....	8
Remote Control Trouble Shooting ..	9
Machine Assembly/Parts .....	10
Maintenance .....	11
Trouble Shooting .....	12
Specifications .....	13
Figures .....	14-17
Safety Precautions .....	18
Preventative Maintenance .....	19
Parts Ordering Instructions .....	19

***The World's Best Pool Cleaners For  
More Than 40 Years***

**AQUAVAC®**  
*Automatic Pool Cleaners*

1711 Longwood Road, West Palm Beach, Florida 33409  
USA Toll Free 1-800-327-0141 • (561) 688-0211 • Fax (561) 688-0217  
E Mail: [info@aquavacsystems.com](mailto:info@aquavacsystems.com)  
[www.aquavacsystems.com](http://www.aquavacsystems.com)



### LIMITED WARRANTY

Please fill out the warranty registration card on the cover of this manual. Give complete information as requested on the card, and return to Aqua Vac Systems. Any information or questions you may have concerning your Dirt Devil or this warranty may be obtained from Aqua Vac Systems. No dealer, distributor, or other similar person has any authority to make any warranties or representations concerning Aqua Vac Systems, Inc.'s products or to extend this warranty beyond the express items contained herein. Accordingly, Aqua Vac Systems, Inc. assumes no responsibility for any such warranties or representations beyond the express items contained in this limited warranty. This limited warranty is valid and enforceable only in the United States of America on Dirt Devils that are owned and operated in the United States of America. This warranty gives you specific legal rights. You may also have other rights which vary from state to state. Your Dirt Devil Pool Cleaner has been manufactured, tested and inspected in accordance with carefully specified engineering requirements. It is warranted to be free from defects in material and workmanship.

MODEL	WARRANTY PERIOD	COVERAGE
Dirt Devil Plus	3 - Years filters.	Parts & labor on complete unit, power train, motor unit, and power supply, excluding filters.
Dirt Devil QC	3 - Years	

This limited warranty includes both parts and labor for the periods above noted and is available only to the original purchaser (USA only).

### EXCEPTIONS AND EXCLUSIONS FROM WARRANTY

The Dirt Devil must be used with electrical requirements as indicated on the Dirt Devil Power Supply. Otherwise damage, defects, malfunctions or other failures of the Dirt Devil arising from use on electrical supply not as indicated are excepted and excluded from this warranty.

Defects, malfunctions, failure or damage of the Dirt Devil caused by improper, unreasonable, or negligent use or abuse by the consumer, are excluded from this warranty.

If any repair is made on your Dirt Devil by anyone other than authorized personnel (designated to perform such work) without first having obtained factory instructions, Aqua Vac Systems, Inc., at its sole option, may determine that this warranty will not apply and that reimbursement for such repair will not be made because of failure to comply with such factory specified instructions.

Filter cartridges are not covered by this warranty and will be replaced only with your prior approval of the charges.

Any unit that is used outside the continental U.S. is excluded from this warranty.

### INSTRUCTIONS TO OBTAIN WARRANTY REPAIR

To obtain repair of your Dirt Devil under this warranty, the following procedure must be used:

- Select the nearest Aqua Vac Systems Factory Authorized Service Center from the enclosed list and contact them to make service arrangements.
  - Ship the Dirt Devil, together with two extra photocopies of satisfactory evidence of the purchase date to the Factory Authorized Service Center with shipping and delivery charges prepaid.
- If you are unable to locate a Factory Authorized Service Center, you may call Aqua Vac Systems, Inc. at 1-800-327-0141 for the nearest location.

### TERMS

If a warranty claim is made less than two years from date of purchase, your Dirt Devil will be repaired at no charge (parts & labor) and will be returned to you freight collect.

After the two year warranty period, repairs will be made only with your prior approval of the charges and the unit will be sent back to you freight collect.

When requesting warranty repair, PLEASE MAKE CERTAIN to state the serial number inside the main case of the cleaner.

### REPLACEMENT

In the event of a defect, malfunction, or failure of your Dirt Devil, or any warranted part within the warranty period, Aqua Vac Systems, Inc. may at its sole option and own expense, replace the Dirt Devil or any warranted part, with another new or factory rebuilt identical or reasonably equivalent unit or part, in lieu of repairing the defect.

## GENERAL INFORMATION

Congratulations on your purchase of an Dirt Devil microprocessor controlled, fully automatic pool cleaner. The Dirt Devil represents the highest standard in design, performance, and quality. This manual contains important information regarding the operation and maintenance of your Dirt Devil. Please read it carefully before putting your Dirt Devil into use.

Deterioration, discoloration or brittleness of any pool finish can be caused over time separately by, or in combination with, age, incorrect pool water chemistry, improper installation, and other factors. Customer hereby disclaims any and all claims, and releases Manufacturer from any and all claims for damages to any pool plaster or vinyl liner in Customer's pool by reason of the use and/or operation of the Cleaner. Under no circumstances shall the Manufacturer be liable for any loss or damage, whether direct, consequential or incidental, arising out of the use or inability to use the cleaner in Customer's pool.

## FEATURES

- The Dirt Devil independently scrubs, vacuums, and filters your pool.
- No installation, no attachments. Just drop it in and turn it on. It is completely automatic.
- Filter cleaning is much easier with the new patented cartridge type filter element.
- Adaptive Seek Control Logic (ASCL®) Microprocessor control optimizes cleaning routine for each individual pool size and shape.
- Electronic Self-Diagnostics and Overload Protection.
- Simple Direct Drive design w/non-corrosive bearings for high reliability.

## OPERATING INSTRUCTIONS

Take a moment to get familiar with the Dirt Devil using the figure on page 6. Throughout this manual reference to this figure is made when referring to different components of the Dirt Devil.

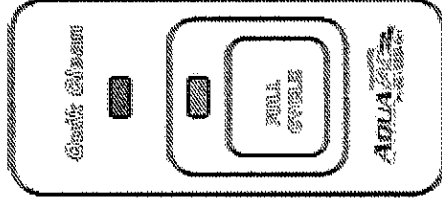
1. Select the nearest GFCI (Ground Fault Circuit Interrupter) protected 110-120 volt AC outlet (220-240 volt for 240 volt models).
2. Place the power supply (#1) so that the Dirt Devil can reach all the walls of the swimming pool and the power supply is at a minimum distance of 10 feet from the pool edge (page 10 Fig. a). The length of the standard Dirt Devil cable is 55 feet. (Dirt Devil2® cable is 100 feet).
3. Connect the floating cable (#2) to the power supply. Use only the original Dirt Devil Power Supply manufactured by Aqua Vac Systems.

4. The Dirt Devil has an adjustable handle (#3). The handle must be locked in a **diagonal position** in order to ensure optimal cleaning results. The handle has two diagonal positions. Reverse handle position after each use. (page 10, Fig. b) to minimize cord twisting.

## DIRT DEVIL QC OPERATING INSTRUCTIONS

1. For installation, setup and general operation information refer to the General Operating Instructions located on page 6. For selection of the desired cleaning cycle follow steps 2 and 3 below.
2. When the Dirt Devil mode is initially switched on, the Quick Clean cycle will automatically be selected. This is indicated by the light on the cycle selection switch located on the power supply. The Dirt Devil QC pool cleaner will automatically shut-off in 60 minutes.
3. To select the Full Clean cycle, depress the FULL CLEAN button at any time during the Quick Clean cycle. The Full Clean cycle will be indicated by the light on the cycle selection switch. In the Full Clean cycle the unit will automatically shut-off in 3 hours.

**if the Quick Clean cycle is complete, the on / off power switch must be turned off and back on, and then the Full cycle can be chosen during the Quick Clean cycle.**



## DIRT DEVIL PLUS AND DIRT DEVIL QC OPERATING INSTRUCTIONS

1. For installation, setup, and general operation information refer to the General Operating Instructions located on page 6.
2. For the best operation of the remote control feature always place the Power Supply in an area in clear sight and within 75 feet of the Remote Control. The Remote Control can be operated at any time without disrupting the cleaning cycle.
3. To turn the cleaner while in operation depress and hold the button next to the desired turning function indicated in the front of the hand held remote control. When the button is released the turning function will stop and the Dirt Devil will resume its programmed operation.

5. Place the Dirt Devil in the pool. It will slowly sink to the bottom of the pool as the air inside is released. Submersing by hand is helpful.

6. Connect the power supply to the GFCI protected outlet and switch to the "on" position. The Dirt Devil will perform a self-diagnostics routine for several minutes before starting the cleaning cycle.

The QC will go into Quik Clean cycle.

**Caution:** DO NOT switch power supply ON when the Dirt Devil is out of water. This may result in damage to the pump & drive motor seals, which will VOID the warranty.

7. The Dirt Devil QC will automatically shut off after a cleaning cycle of 1 hour in the quick clean mode and 3 hours in full cycle (7 hours for the Dirt Devil Plus). If your pool is cleaned in less time than 3 hrs, you may shut the Dirt Devil off manually by switching the power supply to the off position.

Should a second cleaning cycle be required, switch OFF the power supply for 10 seconds and restart.

8. After the pool has been cleaned, switch OFF the power supply before removing the Dirt Devil from the pool.

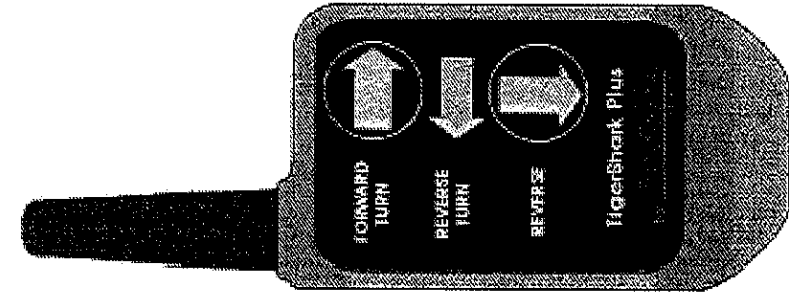
9. Remove the Dirt Devil from the water at the shallow end of the pool by pulling the cable until the Dirt Devil reaches the surface. Then lift it out slowly using the handle, NOT the cable.

**Caution:** When pulling the cable, reel it in hand-over-hand - **DO NOT** reel it around your arm.

**NEVER ENTER THE SWIMMING POOL WHEN THE DIRT DEVIL IS OPERATING.**

Optimum operating water temperature range for the Dirt Devil is 50°F - 100°F. Water temperatures outside of this range do not drastically inhibit the operation of the pool cleaner.

Remove the Dirt Devil from the pool after each use. Keeping the Dirt Devil permanently in the pool may result in additional service requirements.



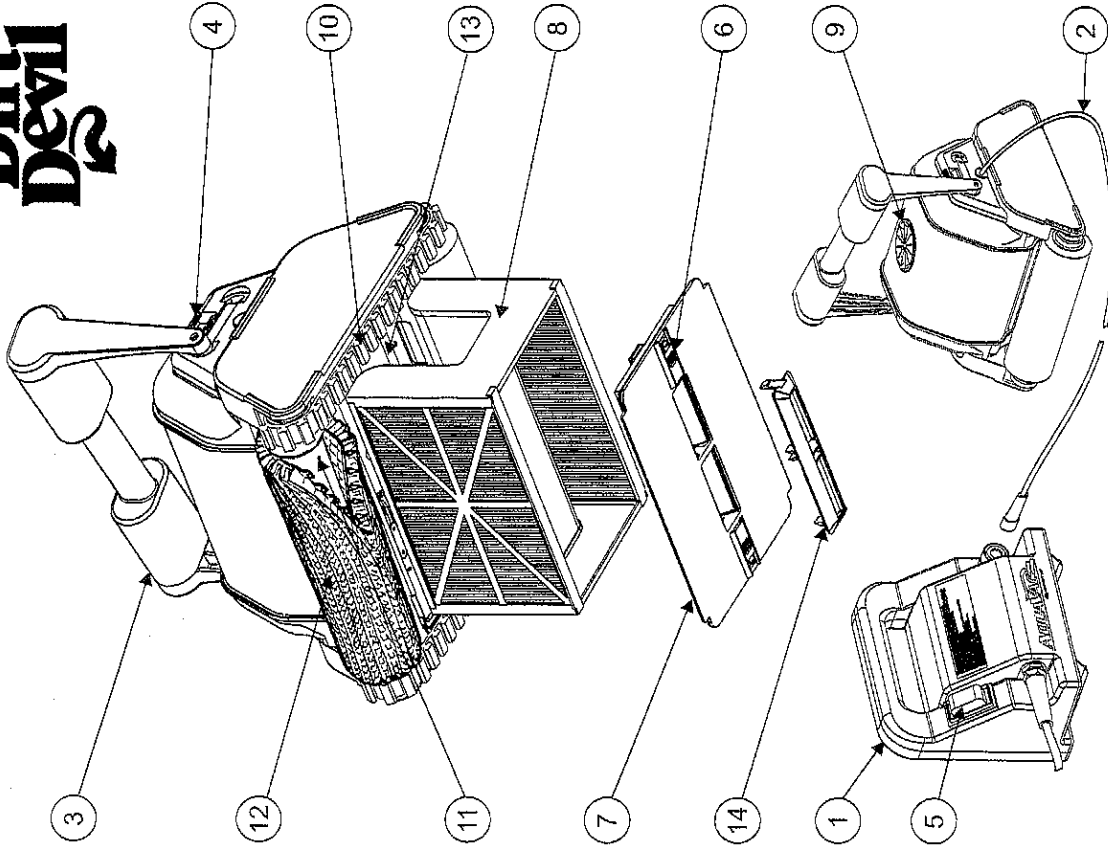
### HAND HELD REMOTE CONTROL

#### TROUBLE SHOOTING THE REMOTE CONTROL FUNCTION

If the Dirt Devil Plus does not turn when the remote control is activated:

- Be sure to aim hand held toward power supply, not the unit.
- Be sure there are no obstructions between the remote control and the power supply.
- The distance between the remote control and power supply should not exceed 75 feet. Moving closer will ensure better reception.
- The batteries in the remote control may need to be replaced. (Requires one CR2032 lithium battery.)
- The overload protection breaker located on the front of the power supply may be tripped. To reset depress the small black button located above the flotation cord connection on the power supply.
- The Turning Foot may be lodged with debris. Turn cleaner off and remove from the pool. Manually work foot in and out to clear any debris, foot should slide easily.

# Dirt Devil



- |                        |                                    |
|------------------------|------------------------------------|
| 1. Power Supply        | 8. Filter Cartridge                |
| 2. Floating Cable 55'  | 9. Impeller Tube                   |
| 3. Handle              | 10. Drive Track                    |
| 4. Handle Latch        | 11. Wheel                          |
| 5. On/Off Switch       | 12. Wheel Brush                    |
| 6. Bottom Lid Latch    | 13. Sealed Motor Unit              |
| 7. Bottom Lid Assembly | 14. High Velocity Inlet (Optional) |

## IMPORTANT TIPS

- Cleaning the filter cartridge after every use maximizes the unit's performance.
- If the Dirt Devil has trouble climbing the pool walls during the middle of the cleaning cycle, clean the filter and resume cleaning.
- Replace worn brushes (#12) to ensure maximum cleaning performance.
- If granular chemicals are used in the pool on a daily basis, an automatic or floating dispenser is recommended, as it retains the calcium sediment sometimes contained in granular chlorine.
- It is recommended not to operate the Dirt Devil until all chemical powder is dissolved because it can clog the filter.
- In a pool with usually high calcium content, more frequent cleaning of the filter is recommended.
- Save the Dirt Devil original carton for extended storage or shipping requirements should your Dirt Devil require dealer service (page 13, Fig. j).
- The sealed Motor Unit (#13) and the Power Supply (#1) contain no user-serviceable parts. Opening them will automatically VOID your warranty.
- Remove items such as thermometer, toys and the like from the pool before using the unit. Such items can jam the unit and cause damage to the unit and/or your pool.

## TROUBLE SHOOTING

*Dirt Devil cannot climb pool walls:*

- Clean the filter. It may be clogged or too heavy from excessive debris.
- Brushes may be worn. Inspect brushes and replace if worn.

*Dirt Devil fails to pick up fine or heavy debris:*

- An optional high velocity inlet is available from your dealer which clips on to the bottom lid (page 10, Fig. c). This inlet creates extra suction for lifting fine or heavy debris. This part also can be helpful if unit becomes stuck on a raised main drain.

*Dirt Devil starts working momentarily but then stops working:*

- Impeller may be clogged or jammed with debris. Check and clean if necessary following the instructions in the maintenance section on page 7.
- Brush rollers or drive tracks are stuck. Check for debris and clean if necessary.
- Dirt Devil is out of the water. Put Dirt Devil in water and reset the power.

You may go to "FAQS" at our website for additional information.

## MAINTENANCE

Clean the filter cartridge after each use:

- Place the Dirt Devil on its side. Release the bottom lid latches (6) (Fig. d) and remove the bottom lid assembly (7) (Fig. e).
- Pull out the filter cartridge. Your filter is a three piece filter, Part #70100 - you may or may not remove the elements for thorough cleaning. Using a garden hose with a spray nozzle, pressure wash the filter elements to remove debris. Hold the filter elements as shown to allow the debris to fall out (Fig. f).
- Wash the inside of the bottom lid.
- Replace the filter cartridge in Dirt Devil (Fig. g).
- Install bottom lid and slide latches in lock position.
- Filter cleaning solution should be used to remove D.E., excessive dirt and/or sand.

**Remember:** The cleaner your filter is, the more efficient your cleaner will perform.

## Periodic Cleaning of Moving Parts

**WARNING:** Disconnect the power supply from electrical outlet before cleaning moving parts.

- Inspect the pump outlet to see that no debris or hair has clogged the impeller. The impeller can be cleaned by removing the impeller tube (9) by twisting (rotating) it (Fig. h).
- Remove any debris that has accumulated between the tracks (10) and wheels (11).

## Storage

When out of the water, store Dirt Devil on its side in a dry, shady location at temperatures between 40°F - 115°F (Fig. i).

## Cable Care

With continued use the cable may become coiled (like a telephone cord). To correct this, lock the handle in the opposite diagonal position (Fig. b). The Dirt Devil will then circle the pool in the opposite direction and uncoil the cable. Also, periodically stretching the cord out in the sun should remove any cord twists. Reverse handle position after each use to avoid cable coiling.

**IMPORTANT:** The cable should be checked periodically for any external damage.

**SPECIFICATIONS**

Suction Rate  
 Current Consumption  
 Weight (w/o cable)  
 Cable Length, Type  
 Materials

75 gal/min  
 0.78 amps  
 21.5 lbs  
 55 ft Floating  
 High Impact ABS - Metal Parts of  
 Non-Ferrous Stainless Steel

**Motor Unit**

Speed (rpm)  
 Voltage  
 Current (amp)  
 Waterproof Sealing  
 Housing  
 Overload Protection  
 Self-Diagnostics

PUMP DRIVE PCB  
 2,700 55  
 24V DC 22V DC 5V DC  
 2.62 0.63  
 Double Redundant Radial Shaft Seals & O-Rings.  
 Sealed, Watertight, High Impact Polypropelene  
 Electronic Overload Monitoring w/auto-shutoff.  
 Electronic Power-On Self-Test w/Memory - For Authorized  
 Service Center Use.

**Filter**

Type  
 Media  
 Porosity  
 Area

Removeable, Re-Usable, Pleated Element Cartridge  
 Pleated Cellulose/Polyester Blend  
 5 micron  
 1,000 sq. inches

**Cleaning Routine Control**

Type  
 Cleaning Cycle

Adaptive Seek Control Logic (ASCL®) Microprocessor  
 3 hrs

**Drive System**

Direct Drive w/Polyurethane Drive Track & Acetal/Stainless Steel Bearing System

**Power Supply**

Primary Voltage  
 Secondary Voltage  
 Rated Output Current  
 Weight

110-120 volt AC (220-240 volts for 240 volt model)  
 24V DC  
 4 amps  
 8.3 lbs

**Shipping**

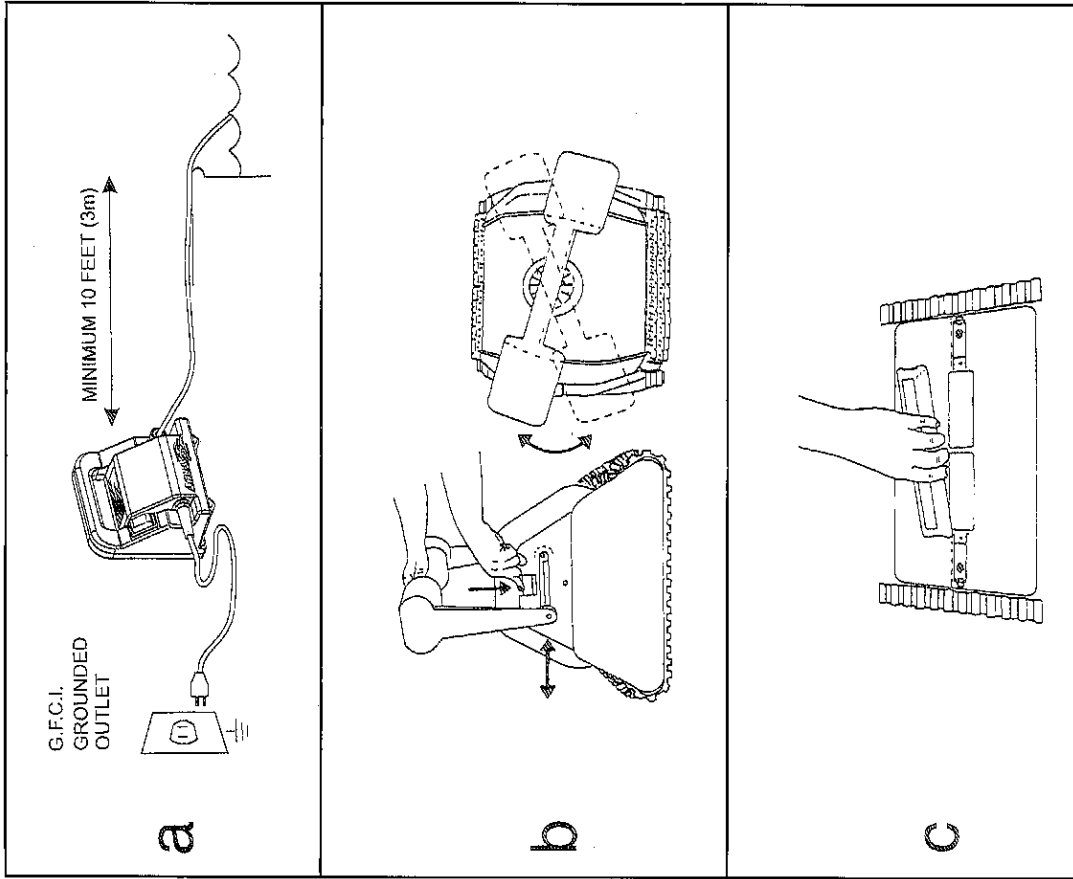
Carton Dimensions  
 Shipping Weight

Dirt Devil  
 Height 19 in. (48.3 cm) 21 in. (53.3 cm)  
 Width 19 in. (48.3 cm) 19 in. (48.3 cm)  
 Length 19 in. (48.3 cm) 21 in. (53.3 cm)  
 35 lbs (15.9 kg)

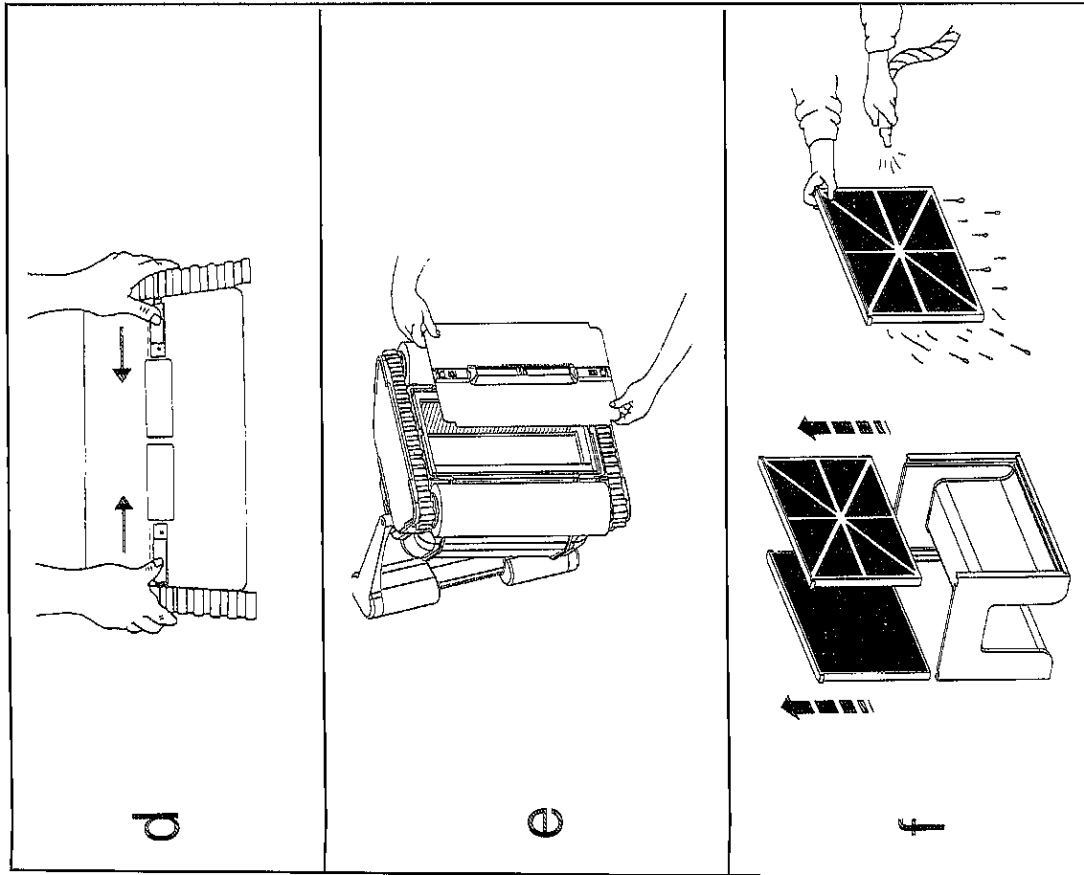
These specifications may vary in different swimming pools and electrical supply outlets.

Although the Dirt Devil has been tested to work in a wide range of swimming pools, Dirt Devil cannot guarantee proper operation in all swimming pools.

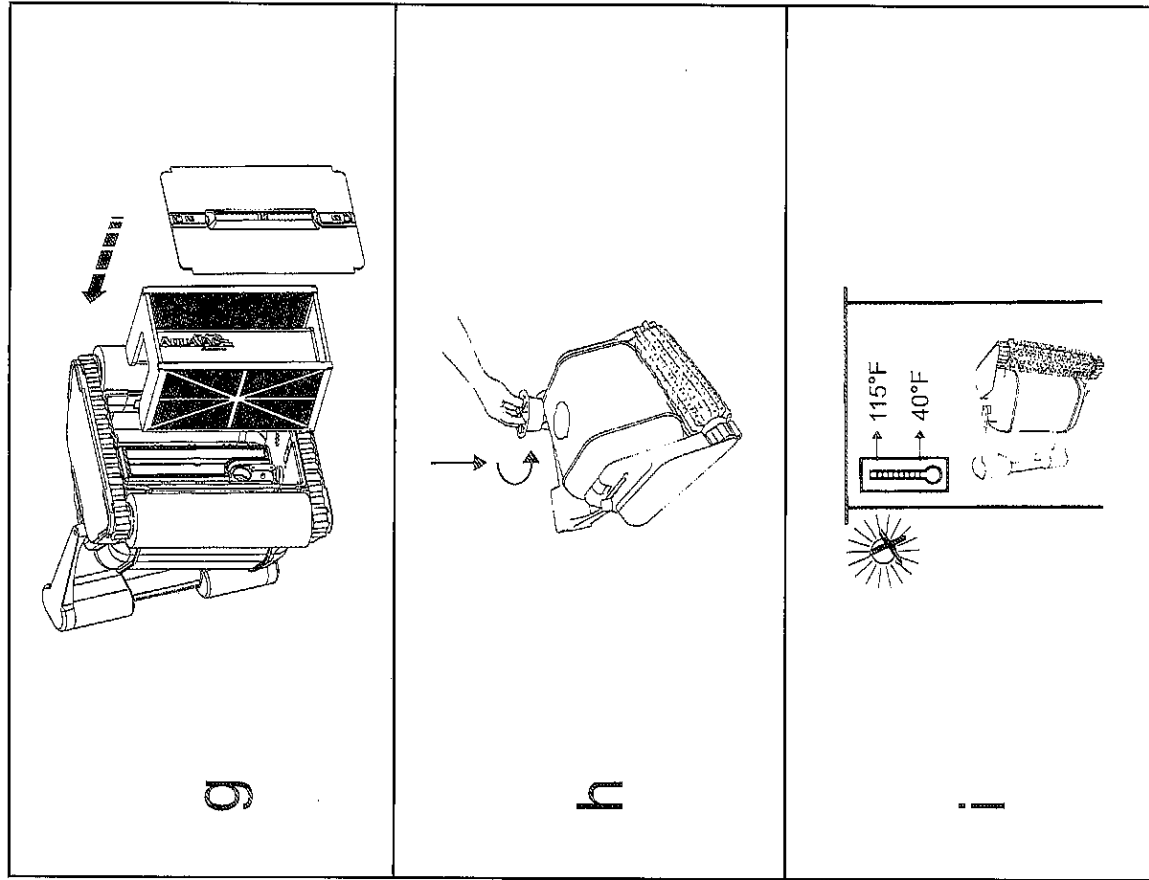
**Figures**



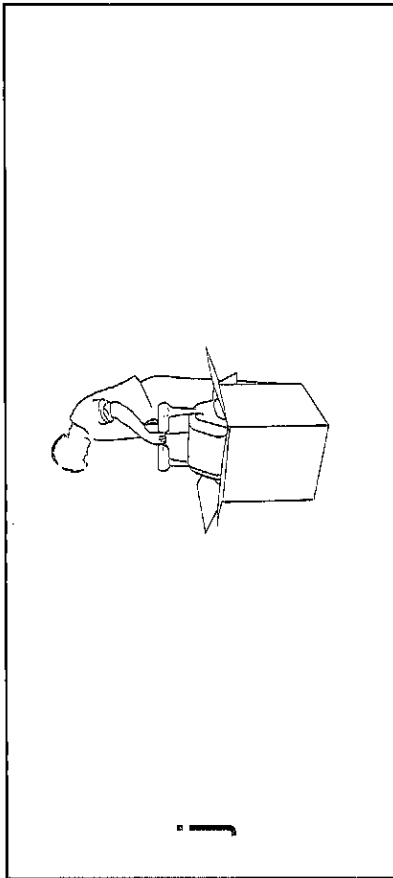
Figures cont.



Figures cont.



**Figures cont.**



**NOTES**

**SAFETY PRECAUTIONS**

The Dirt Devil automatic swimming pool vacuum cleaner has been manufactured to the standards of CSA (Canadian Standards Association) and ETL (Edison Testing Laboratories) with the highest degree of care and concern for safety. We suggest the following safety precautions become part of your pool safety regulations:

1. ALWAYS PUT THE MACHINE INTO THE WATER BEFORE CONNECTING IT TO THE ELECTRICAL OUTLET.
2. IT IS IMPORTANT FOR SWIMMERS' SAFETY TO REMOVE THE UNIT IMMEDIATELY FOLLOWING USE. THIS CAN ALSO IMPROVE THE OPERATING LIFE OF YOUR DIRT DEVIL.
3. BE CERTAIN THE MACHINE IS ONLY PLUGGED INTO A GROUNDED ELECTRICAL OUTLET EQUIPPED WITH AN APPROVED AND PROPERLY OPERATING GROUND FAULT CIRCUIT INTERRUPTER (GFCI).
4. DO NOT HANDLE MACHINE WHILE IT IS PLUGGED INTO THE ELECTRICAL OUTLET.
5. DO NOT USE AN EXTENSION CORD. THIS COULD CREATE A SAFETY HAZARD AND/OR DAMAGE YOUR UNIT.
6. ALWAYS STAY OUT OF THE POOL WHILE CLEANER IS IN OPERATION.
7. NEVER ALLOW PLUG TO ENTER THE POOL.
8. DO NOT OPERATE THE MACHINE OUT OF WATER. THIS WILL DAMAGE THE MOTOR SEAL AND VOID THE WARRANTY.
9. DO NOT DRAG THE MACHINE OUT OF THE POOL AGAINST THE SIDE WALL. THIS COULD DAMAGE UNIT AND/OR YOUR POOL WALL.
10. SOME POOLS HAVE A CORNER OR A CORNER STEP CONFIGURATION THAT MAY CAUSE THE UNIT TO "HANG-UP;" THEREFORE, DO NOT LEAVE THE UNIT COMPLETELY UNATTENDED FOR MORE THAN 1/2 HOUR. OCCASIONAL OBSERVATION AND ATTENDANCE CAN ALSO REDUCE ANY TENDENCY FOR THE CORD TO TWIST.

While the Dirt Devil has been made to operate as safely as possible, we suggest you exercise reasonable care in the handling of the vacuum and inspect the electrical cord frequently for damage or wear, as with any other electrical appliance. After use, remove the unit and rinse with fresh water and remove any twists that may be present in the cord.



## **PREVENTATIVE MAINTENANCE**

In order to maximize efficiency and receive long term service of your unit, we suggest the following:

- Thoroughly rinse entire unit after use.
- Clean filters thoroughly after each use—a clogged filter can decrease efficiency dramatically.
- Remove any twists in the cord after each use. Twisting should be minimal if the unit is functioning properly. Laying cord, straightened out in sunlight is helpful.
- Avoid allowing the unit to “cool down” in the water.
- Inspect belts and filter frequently. Replace when necessary.

### **Protect Your Investment!**

Following these quick and easy steps will extend the life and efficiency of your Dirt Devil. If you have any questions, contact your local Service Center or call us at 1-800-327-0141, Monday - Friday, 8:30 a.m. - 5:30 p.m. EST.

## **PARTS ORDERING INSTRUCTIONS**

Should you desire to order repair parts, follow this simple procedure:

1. Determine each of the parts you will need and identify them by part number. Use this book as a guide, be sure to note that in some cases, due to continual product improvement, parts may vary depending on the year of manufacture.
2. Contact your local Factory Authorized Service Center with the list of parts you will need. Be sure to advise the Service Center of the Dirt Devil serial number and the date of purchase. If you need the location of your nearest Service Center, please call Aqua Vac Systems, 1-800-327-0141 or 561-688-0211.
3. All parts under unconditional warranty are confined to the specific limitations as stated.