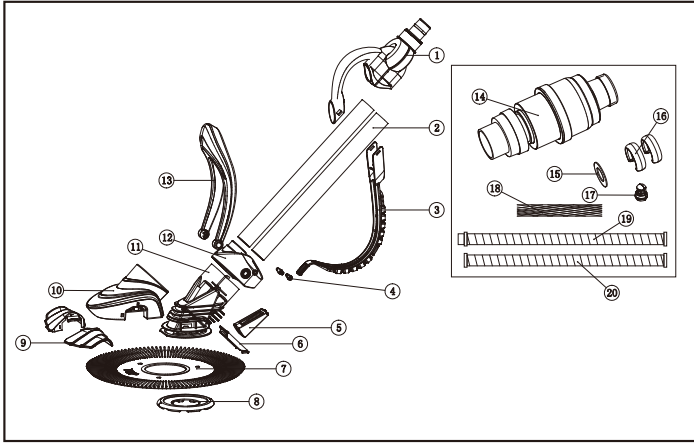


Parts List



Cleaner Body Assembly

- 1 Swivel Housing Assembly
- 2 Drive Tubes
- 3 Bumper Tail
- 4 Dive Float Restrictor Tab
- 5 Flapper
- 6 Flapper Baffle
- 7 Skirt pad
- 8 Foot Pad
- 9 Wings
- 10 Outer Main Body Housing

- 11 Inner Main Body Housing
- 12 Weight
- 13 Float

Hose and Pool Connection

- 14 Automatic Regulator Valve
- 15 Washer
- 16 (2) Hose Weights
- 17 Eyeball Diverter
- 18 Hose Protector Sleeve
- 19 (11) Female/Male Hose Sections
- 20 Female/Female Hose Section

Cleaner Body Assembly



1. Insert both wings into the main body, right into side with R, left into the side with L. Push wing until it slides over the tab.

2. Attach the skirt pad to the bottom lip of the cleaner by sliding it around and over the lipped circular opening. The pleats should be facing up. The skirt should spin freely after it is attached.



3. Fit the foot pad over the lipped opening by fitting the lip into the foot pad's groove and working the groove over the lip as you go around the circle.



Notice the condition of the foot pad: when the square ridges are worn down, it is time to replace the foot pad. Also note the intake area of the cleaner.

Debris will need to be periodically cleaned out of here with your fingers or a small flathead screwdriver.



4. Attach the bumper tail by sliding the bottom into the groove first and then sliding the top over the tabs on the cleaner's handle.

In-Pool Installation

1. Make sure the pool is generally clean and free from debris. The entire pump and filtration system must be working properly. Empty your skimmer and pump baskets.
2. Assemble the hose pieces together. Determine the proper amount of hoses needed. Start at where cleaner is hooked into the wall or skimmer then go to farthest point of pool and add one extra section. The female/female end may be needed at the end where the hose will attach to the intake suction.
3. Place hose weights on the hose. You will need one hose weight if your pool depth is less than 6 feet, two if the pool depth is between 6-9 ft. If deeper, contact your local pool store to purchase more. The weights should keep the cleaner's skirt pad flat on the pool bottom. If not, adjust placement of weights.



4. Adjust your valve(s) to allow for proper suction to cleaner if you are plugging the cleaner into the wall.
5. If you are using the skimmer, then install the automatic regulator valve by placing it into the skimmer intake port and then install the hose into the automatic regulator valve. Also place the hose protector over the hose where the hose will meet the side of the pool at the skimmer opening.
6. Attach the hose to the cleaner's top, lower the cleaner into the pool, feeding the hose slowly into the pool so that it can fill with water. Make sure there is not excessive air in the hose by submerging the hose. The hose should not float.

7. Attach the hose end to the intake valve in the pool wall. Or, go in through the skimmer door and attach to the installed valve. Turn on the pump and make sure the system runs smoothly.



SUCTION AND DROWNING RISKS

⚠ If your pool is equipped with one, **you MUST cover your dedicated suction port/vac port/automatic pool cleaner port** when not in use by the cleaner.

⚠ **DO NOT** play with cleaner or apply cleaner or hose to body, clothing, or hair. The hose and cleaner can take hold of your body, hair, or clothing and cause serious injury. The suction from the hose or cleaner can trap a swimmer underwater. **NEVER ALLOW ANYONE TO ENTER THE POOL** when the cleaner is in use.

⚠ **DO NOT** allow anyone, especially children, to use or play with or around the cleaner or hose. Educate the pool users about the dangers of the hose, cleaner, and suction ports.

MOVING PARTS

⚠ **STOP PUMP** The cleaner must be completely disabled by turning off the pool's pump and suction before cleaning or maintaining the cleaner. Moving parts and suction can injure fingers or body.

⚠ **STOP PUMP** before swimming. The moving pool cleaner, hose, and suction ports can injure or entrap swimmers. **STOP PUMP**, detach hose, and move the cleaner and hose to an unused corner of the pool. If the hose may interfere with the swimmers, remove it from the pool.

PRIOR TO INSTALLATION

- This cleaner was not designed to be the first clean after pool construction or at the beginning of the season.
- Check your vinyl pool for wear or tear, or for roots, branches, rocks, or other obstructions under the liner.
- Gunite, plaster, and tile pools must be free of deterioration, cracked or loose tiles, or other conditions that could damage the cleaner.
- All pools must be cleaned of algae and debris prior to the cleaner's first use.
- The entire filter system must be cleaned prior to installation. Clean the filter. Empty, backwash, and rinse all baskets. The cleaner will not operate properly with a dirty or clogged filter system.

MAINTENANCE

- Carefully assess the cleaner's operation after installation. Some slight adjustments may be needed to ensure proper performance and to ensure that the cleaner does not damage or cause undue wear to the pool surface.
- Vinyl pools are especially at risk for abrasion, pattern wear, pattern or ink removal, or serious scratches from the cleaner running into objects or debris in the pool. Manufacturer disclaims any liability for damages caused to vinyl pool patterns or liners.

TIPS FOR USAGE

- Once installed, your cleaner is designed to run for 4-6 hours and should clean an average sized pool in that time.
- Your pool needs to be in good condition in order to use this cleaner. If there are broken tiles, crumbling plaster, or tears in the vinyl, the cleaner may damage your pool further as well as be damaged itself.
- The cleaner is not designed to clean pool features, waterfalls, steps or ladders. Those will need to be cleaned manually with a brush.
- The cleaner is not designed to run or clean under a cover.
- Run your cleaner 2-3 times a week.
- Do not wait until your pool is filthy to run the cleaner. The cleaner is meant to vacuum small debris and dirt from your pool. Large debris and fallen objects will need to be removed manually. The cleaner should be considered a preventative maintenance for a clean pool.
- This cleaner is not meant to replace chemical treatments. Continue regular chemical treatments, and remove the cleaner during chemical shock treatments.
- Before swimmers enter the pool, turn off the pump, unplug the hose, cover the intake, and then move the cleaner and hose to an unused side of the pool.
- Your cleaner should stay in the pool at all times, **EXCEPT** when it may endanger or entangle swimmers **OR** during shock treatments. Dry storage will wear the cleaner/hose more quickly than storage in a correctly balanced pool.

TROUBLESHOOTING

Does Not Clean Whole Pool or Stays in One Place

- Check that hose is long enough. Add hose sections.
- Adjust the pool's return line eyeball diverter or install the included eyeball diverter and outer washer ring.
- Make sure the main drain is not interfering with cleaner.
- Check that cleaner sits at a 45 degree angle and the skirt pad is flat against the pool floor; adjust hose weights as needed.

Does Not Clean Well Enough

- Ensure pump and filtration system are completely clean.
- Adjust pump valves.
- Reinstall skimmer automatic regulator valve.
- Turn off pump, remove cleaner, and clear the underside and diaphragm of debris, leaves, dirt, etc.
- Check the diaphragm for wear; replace if necessary.
- Check the skirt pad for wear; replace if necessary.

Hose Floats or Cleaner Stays at Surface

- Check automatic regulator valve
- Remove cleaner and lower it into pool again, making sure air is forced from hose before attaching the hose to the intake. Adjust hose weights so cleaner is flat to bottom.