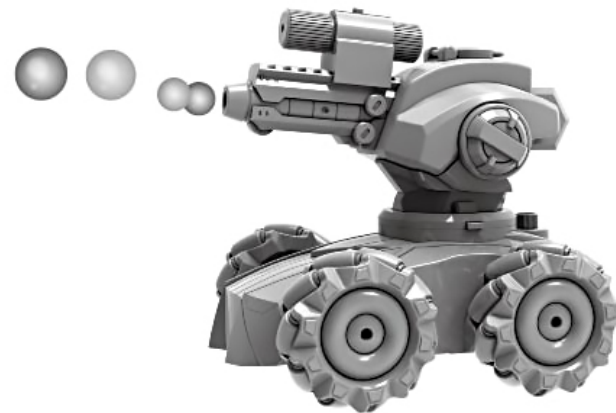


**UNCOMMON
CARRY**



3 IN 1 HC LAUNCHER

USER GUIDE



**UNCOMMON
CARRY**

DISTRIBUTED BY
UNCOMMON CARRY

207-536-1174
www.uncommoncarry.com
10 W Point Ln., Suite 10-215,
Biddeford, ME 04005

01

MULTIFUNCTION BATTLE REMOTE CONTROL TANK INSTRUCTION

PARTS LIST



Remote Control Car *1



2.4g Remote Control *1



Water Bottle *1

BATTERY INSTALLATION INSTRUCTIONS

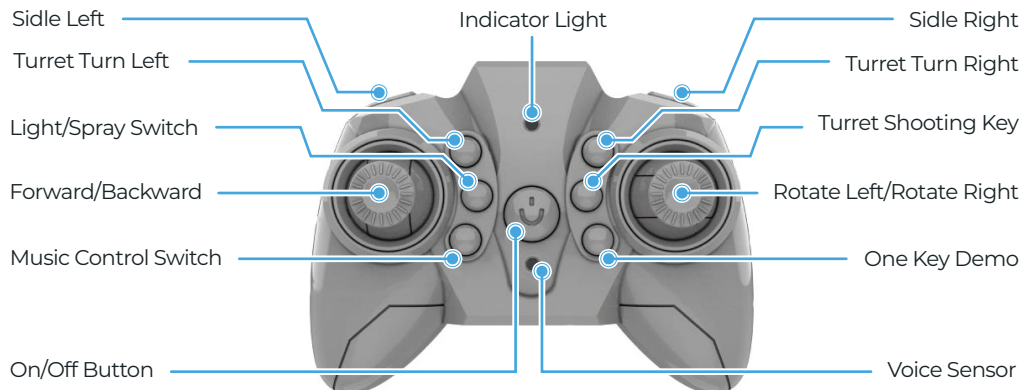
REMOTE CONTROL

- Use a screwdriver to loosen the screws on the battery cover and open it.
- Insert 2x 1.5V AA batteries.
- Close the battery cover and tighten the screws.

RC CAR

- Open the battery cover located at the bottom of the vehicle, connect the built-in battery into the power interface and place into the battery holder.
- Close the cover and tighten the screws.

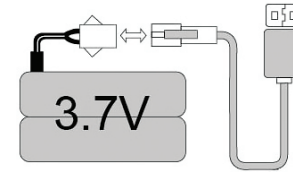
CONTROLLER FUNCTIONS



CHARGING INSTRUCTIONS

- Before using the new battery, please charge it.

- Connect the battery and the charger, then plug the charger into the socket.



- Full charge takes up to 150 minutes. The indicator lights on the charging plug mean the following: red light is on and the green light is flashing when charging. Green light is on and the red light is off once fully charged. DO NOT overcharge, this could decrease the life of the battery.
- Check the toys, batteries, charging wires, and plugs regularly. If any of these accessories are damaged, stop using them immediately until they are repaired or replaced.

FUNCTION INSTRUCTIONS

Frequency Connection: Turn the **POWER SWITCH** to **ON**. The light will flash slowly and the vehicle will be in frequency connection mode. Long press the switch button on the remote control at the same time, the frequencies will connect. The vehicle is in the default drive mode.

SWITCH BUTTON

Long press for 3 seconds to start up; the indicator light will begin to flash and the remote control will enter frequency connection mode.

FORWARD/BACKWARD

Push the left analog stick up or down to make the vehicle drive forward and backwards (respectively). Holding the analog stick up or down will make the car drive continuously.

SIDLE LEFT/SIDLE RIGHT

Hold down the "Sidle" button on the left to make the vehicle sidle to the left. Hold down the "Sidle" button on the right to make the vehicle sidle to the right.

LIGHT/SPRAY

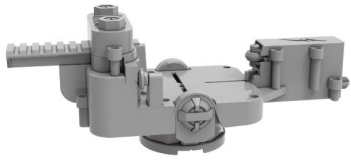
Press and hold the ON/OFF button to spray.

MUSIC CONTROL

Press the Music Control button one time to play music. Press for a second time to switch the music. Press for a third time to shut off the music.

EVA BULLET TURRET FUNCTION INSTRUCTIONS

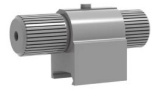
PARTS LIST



Eva Bullet
Turret *1



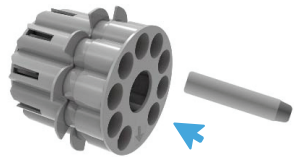
Ammunition
Clip *1



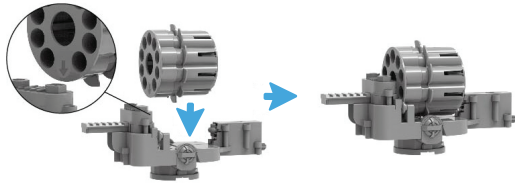
Infrared Ray
Equipment *1



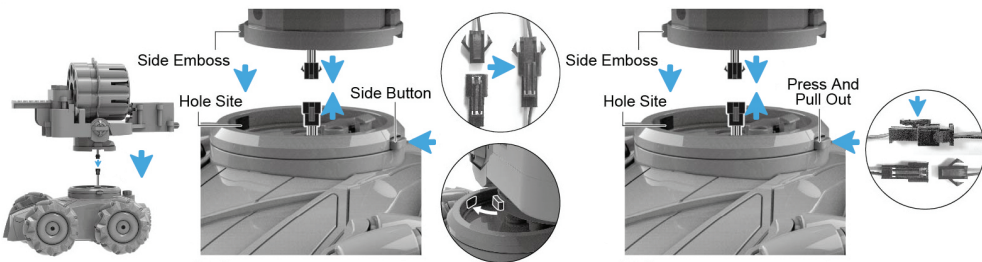
Eva
Bullet *1



1. Put eva bullet into ammunition clip.

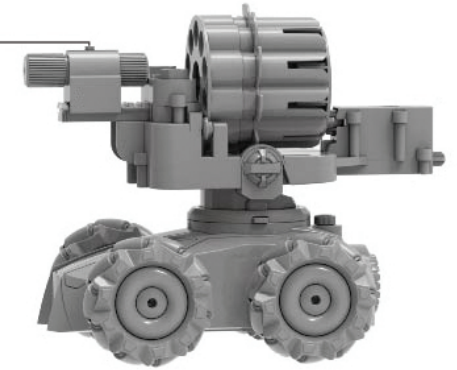
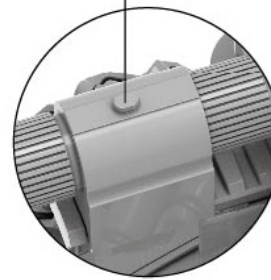


2. There is an arrow mark on the ammunition clip, the arrow must face to the slot in the middle of the turret. To remove the clip, lift it up out of the turret.

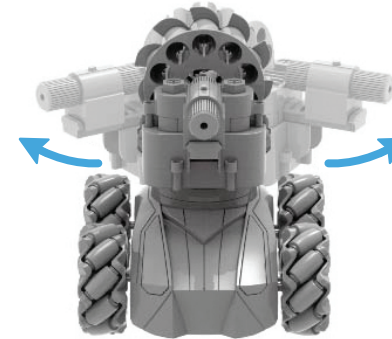


3. Connect the turret wires to the vehicle's wire ports (lift the clip on the port and insert the connector fully, then release the clip). Next, to connect the EVA Bullet Turret, there is an emboss on the side of the turret connection port on the vehicle, place the tooth of the EVA Bullet Turret into the emboss while pressing the side button (image above) so you can clip the tooth into the vehicle emboss. To disconnect, press the side button to pull out the EVA Bullet Turret. Once the Turret is out, disconnect the wires by lifting the clip on the port and pulling out the connected wire clips.

Power Switch

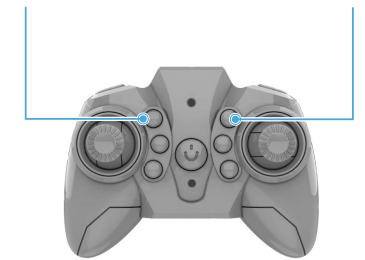


4. Attach the infrared ray equipment to the turret, remove the white tag, and press the switch to turn on the laser.

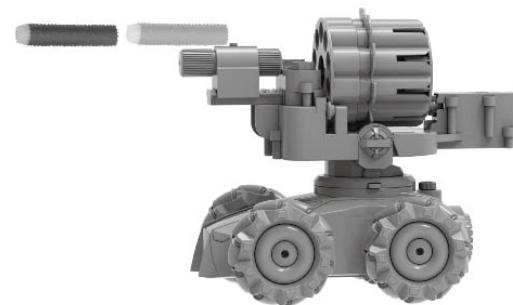


Turret Turn
Left

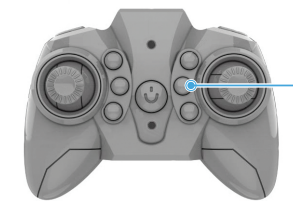
Turret Turn
Right



5. After successful frequency connection (refer to Part 5 on Page 1.), use the turret buttons to turn the EVA Bullet Turret left and right.



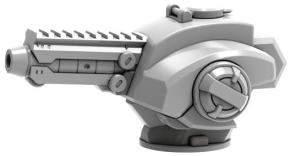
Turret Shooting



6. Turret Shooting Function: Press the Turret Shooting button to shoot the EVA bullets. If you press and hold the button, the turret will continuously fire.

WATER BULLET TURRET FUNCTION INSTRUCTIONS

PARTS LIST



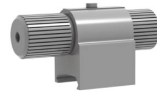
Water Bullet
Turret *1



Water Bullet
Container *1



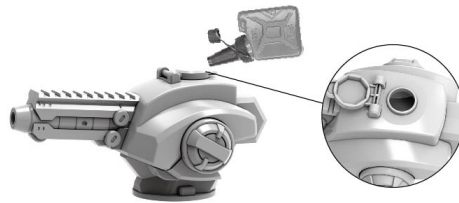
Water Bullet
500 units



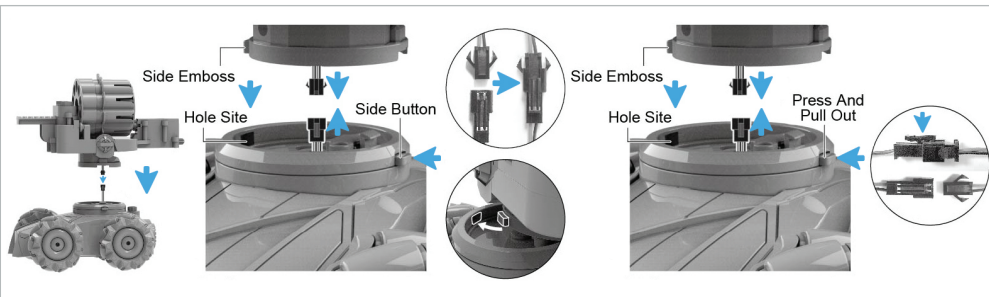
Infrared Ray
Equipment *1



1. Place water bullets into the container and add water. Let it sit for 5 minutes. Filter out the excess water from the container after the 5 minutes are complete (be careful not to lose bullets).

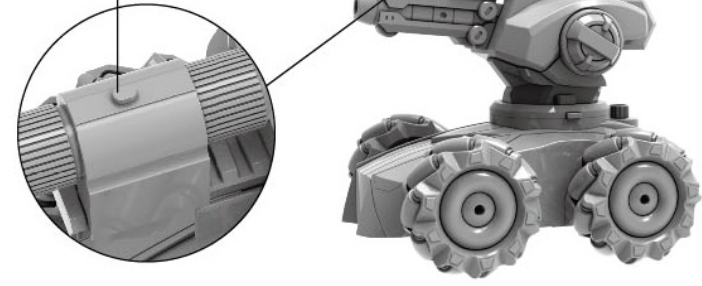


2. Open the cover on the top of the turret and pour the water bullets into the chamber, then close the top. After you've finished playing with the toy, remove the remaining water bombs and clean the chamber. **DO NOT** Add water when adding the water bombs, as this could cause a short circuit.

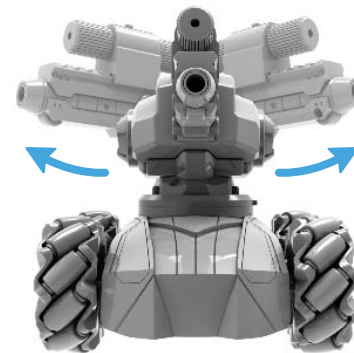


3. Connect the turret wires to the vehicle's wire ports (lift the clip on the port and insert the connector fully, then release the clip). Next, to connect the EVA Bullet Turret, there is an emboss on the side of the turret connection port on the vehicle, place the tooth of the WATER Bullet Turret into the emboss while pressing the side button (image above) so you can clip the tooth into the vehicle emboss. To disconnect, press the side button to pull out the WATER Bullet Turret. Once the Turret is out, disconnect the wires by lifting the clip on the port and pulling out the connected wire clips.

Power Switch

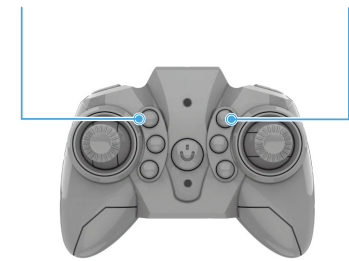


4. Attach the infrared ray equipment to the turret, remove the white tag, and press the switch to turn on the laser.



Turret Turn
Left

Turret Turn
Right



5. After successful frequency connection (refer to Part 5 on Page 1.), use the turret buttons to turn the WATER Bullet Turret left and right.



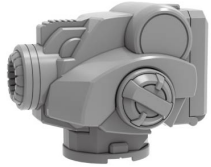
Turret Shooting



6. Turret Shooting Function: Press the Turret Shooting button to shoot the WATER BULLETS. If you press and hold the button, the turret will continuously fire.

BUBBLE BULLET TURRET FUNCTION INSTRUCTIONS

PARTS LIST



Bubble Turret *1



Bubble Water Container *1

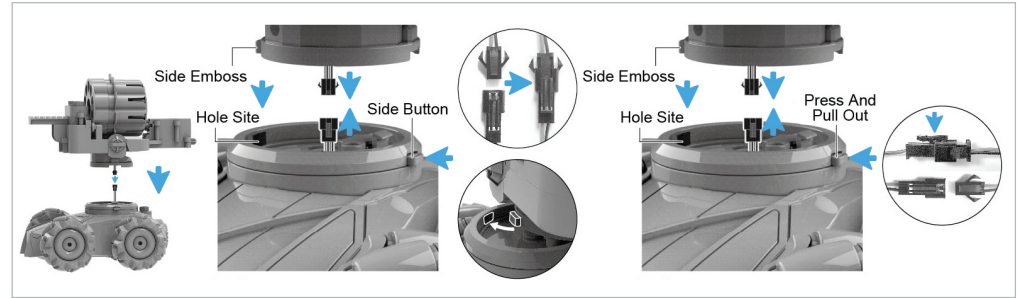


Bubble Concentrated Solution *2

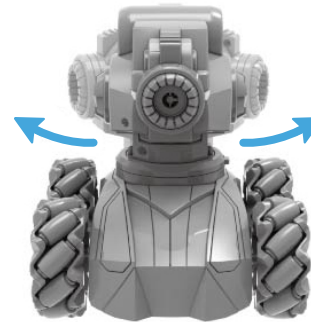
1. Pour bubble water into the bubble water container and close the cap tightly.



2. Open the back door of the Bubble Turret, pull out the two hose inside the turret magazine and insert them through the holes of the cap of the bubble water container as far as possible. Put the container into the magazine of the turret (as shown in the figure above). After you've finished playing with the toy, remove the container from the magazine and clean the magazine.



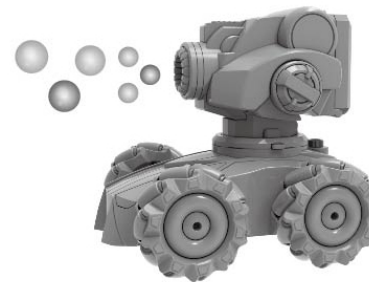
3. Connect the turret wires to the vehicle's wire ports (lift the clip on the port and insert the connector fully, then release the clip). Next, to connect the EVA Bullet Turret, there is an emboss on the side of the turret connection port on the vehicle, place the tooth of the Bubble Turret into the emboss while pressing the side button (image above) so you can clip the tooth into the vehicle emboss. To disconnect, press the side button to pull out the Bubble Turret. Once the Turret is out, disconnect the wires by lifting the clip on the port and pulling out the connected wire clips.



Turret Turn Left

Turret Turn Right

5. After successful frequency connection (refer to Part 5 on Page 1.), use the turret buttons to turn the WATER Bullet Turret left and right.

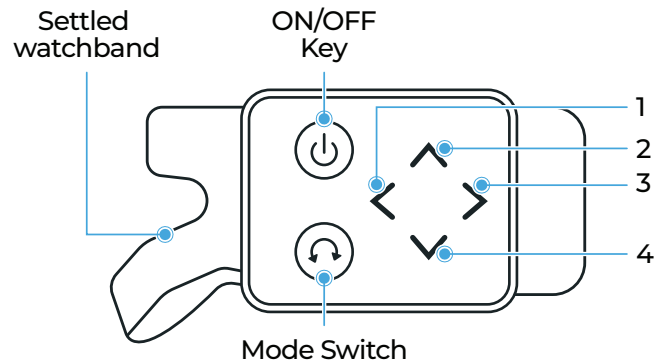


Turret Shooting

6. Turret Shooting Function: Press the Turret Shooting button to shoot the WATER BULLETS. If you press and hold the button, the turret will continuously fire.

MULTIFUNCTION REMOTE CONTROL TANK (WATCH) INSTRUCTION

1. WATCH FUNCTION DIAGRAM



2. FUNCTION INTRODUCE

FREQUENCY CONNECTION

Switch the vehicle power to ON. Once the light indicator begins to flash slowly, the vehicle has entered frequency connection mode. Then, short press the ON/OFF key on the watch at the same time to connect the frequency successfully. After the frequency connection with the vehicle is successful, the dial indicator light will flash and the watch will be in standby mode. Press the ON/OFF key again, the indicator lights will flash, and the vehicle will enter drive mode. Short press the ON/OFF key to switch to standby mode, and long press the ON/OFF button to shut off the watch.

ON/OFF KEY

Press the ON/OFF key to turn the watch on (dial light will flash). After the frequency connection with the vehicle is successful, the dial indicator light will flash and the watch will be in standby mode. Press the ON/OFF key again, the indicator lights will flash, and the vehicle will enter drive mode. Short press the ON/OFF key to switch to standby mode, and long press the ON/OFF button to shut off the watch.

MODES

MODE 1: Press the Mode Switch button, light ① will light up on the watch.

Gesture FORWARD, ^ indicator light on, vehicle will **drive forward**.
 Gesture BACKWARD, v indicator light on, vehicle will **drive backward**.
 Gesture to the LEFT, < indicator light on, vehicle will **side to the left**.
 Gesture to the RIGHT, > indicator light on, vehicle will **side to the right**.

MODE 2: Press the Mode Switch button, light ①② will light up on the watch.

Gesture FORWARD, ^ indicator light on, vehicle will **drive forward**.
 Gesture BACKWARD, v indicator light on, vehicle will **drive backward**.
 Gesture to the LEFT, < indicator light on, vehicle will **rotate to the left**.
 Gesture to the RIGHT, > indicator light on, vehicle will **rotate to the right**.

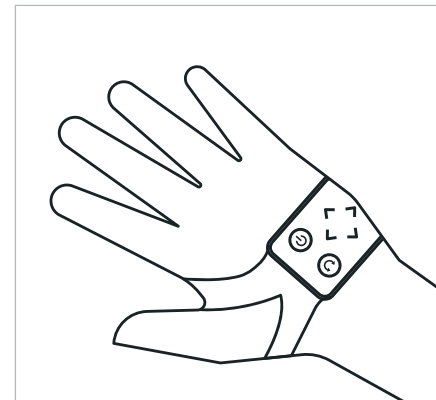
MODE 3: Press the Mode Switch button, light ①②③ will light up on the watch.

Gesture FORWARD, ^ indicator light on, vehicle will **drive forward**.
 Gesture BACKWARD, v indicator light on, vehicle will **drive backward**.
 Gesture to the LEFT, < indicator light on, vehicle will **turret turn to the left**.
 Gesture to the RIGHT, > indicator light on, vehicle will **turret turn to the right**.

MODE 4: Press the Mode Switch button, light ①②③④ will light up on the watch.

Gesture FORWARD, ^ indicator light on, to **activate the music** and **switch music mode**.
 Gesture BACKWARD, v indicator light on, vehicle will enter **auto-show mode**.
 Gesture to the LEFT, < indicator light on, to **activate and deactivate spray mode**.
 Gesture to the RIGHT, > indicator light on, **activate and deactivate the lights on the vehicle**.

3. WATCH WEARING DIAGRAM (RIGHT HAND)



4. CHARGE INSTRUCTIONS (PICTURED BELOW)

Turn the watch OFF. Connect the charging cable to the watch and connect into a USB charging port. Red light will indicate charging. When fully charged, the light will be off.

