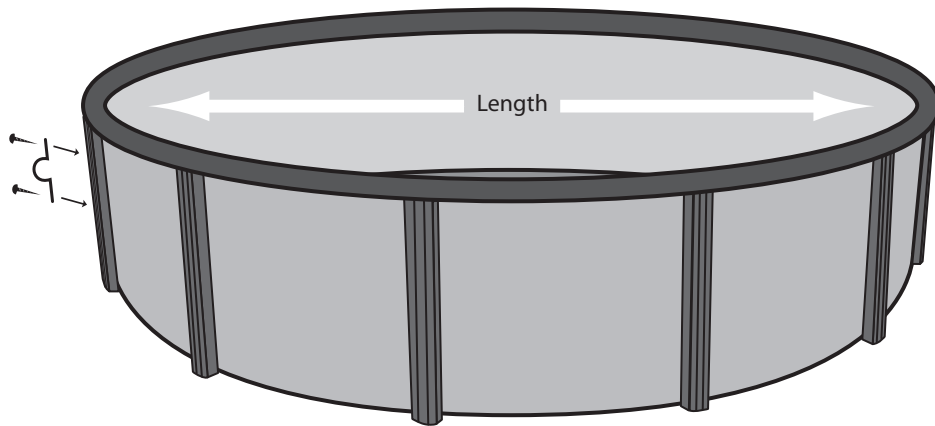


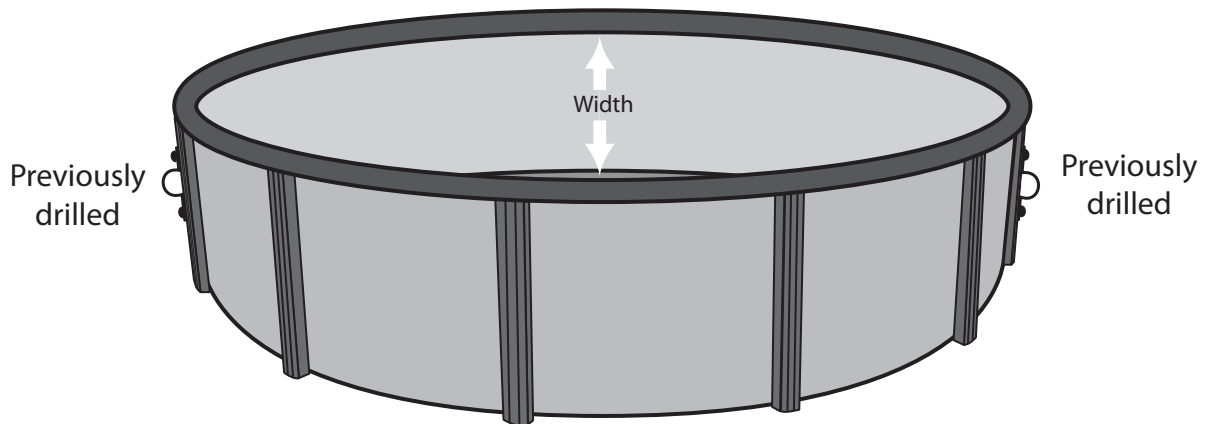
Ultimate Cover

INSTRUCTION SHEET

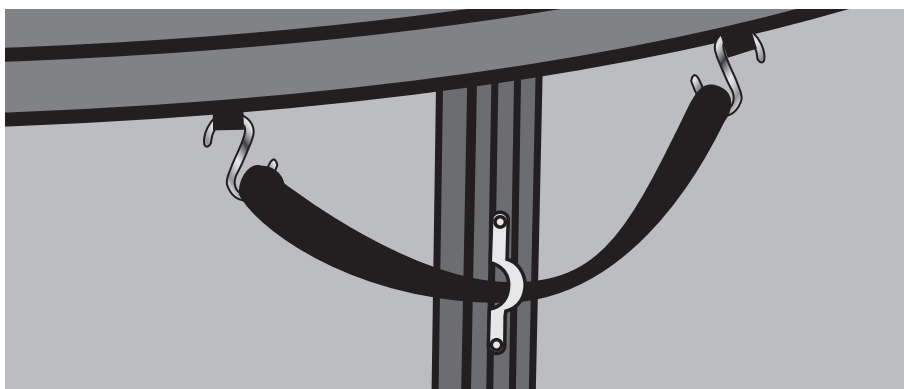
- 1 Install the first two plastic straps to the opposing uprights on the pool's length. Measure 22-30" from the top of the pool's border. (Please note that the suggested measurements are based on the assumption that the top rail is 12" wide and the cover thus has 12" of down hang). Refer to Fig 1.



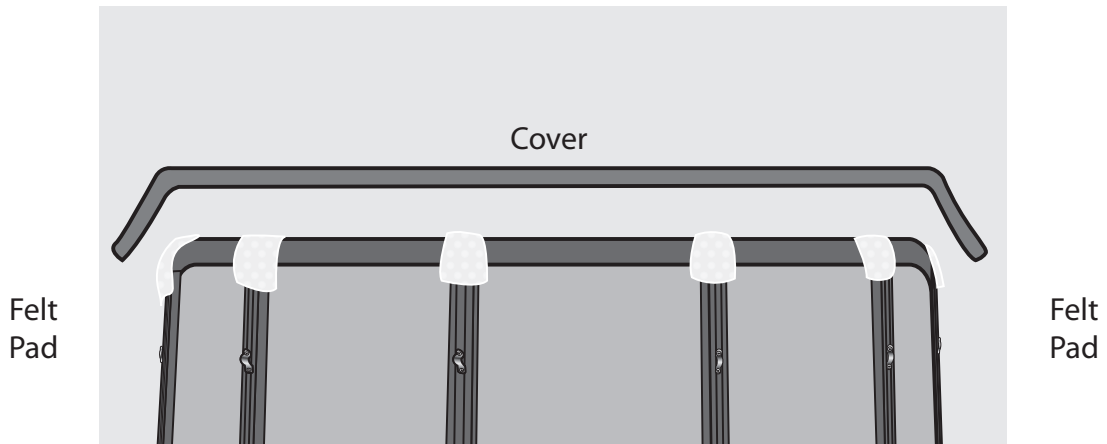
- 2 Repeat the above step (Step 1) on the opposing upright on the pool's width. (Fig. 2)



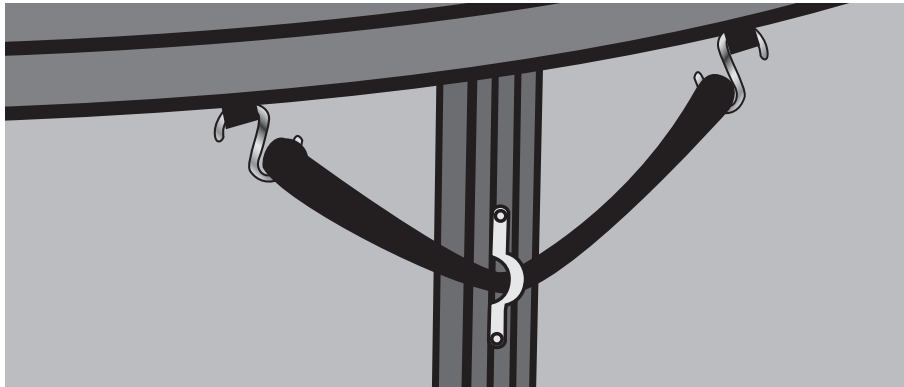
- 3 Place cover on top of the pool. Run the supplied bungee cord through the cover's webbing loops and pre-drilled plastic strap (Fig 3). Repeat this step on the other three pre-drilled strap locations. By the end of this step the cover should be snug on the pool and attached to the 4 uprights.



- 4 Place the felt pad material between the cover's underside and the upright's turnbuckle. (Fig 4)



- 5 With the cover on and the pad in place attach a bungee cord around every upright. Continue to drill the straps at the set level pre-determined, judgement calls can be made at this point to ensure the cover is not too tight! There should be very little to no tension on the bungee cords at this point.



- 6 By this point you should have accomplished the installation.

