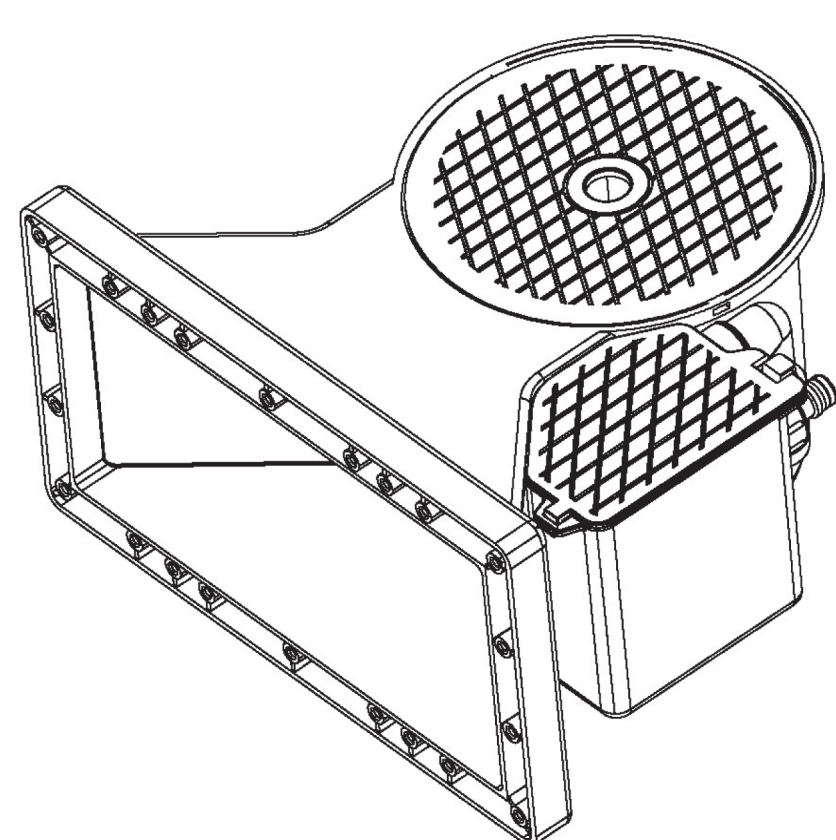


The Instruction Manual of Pool Skimmer with Water Level

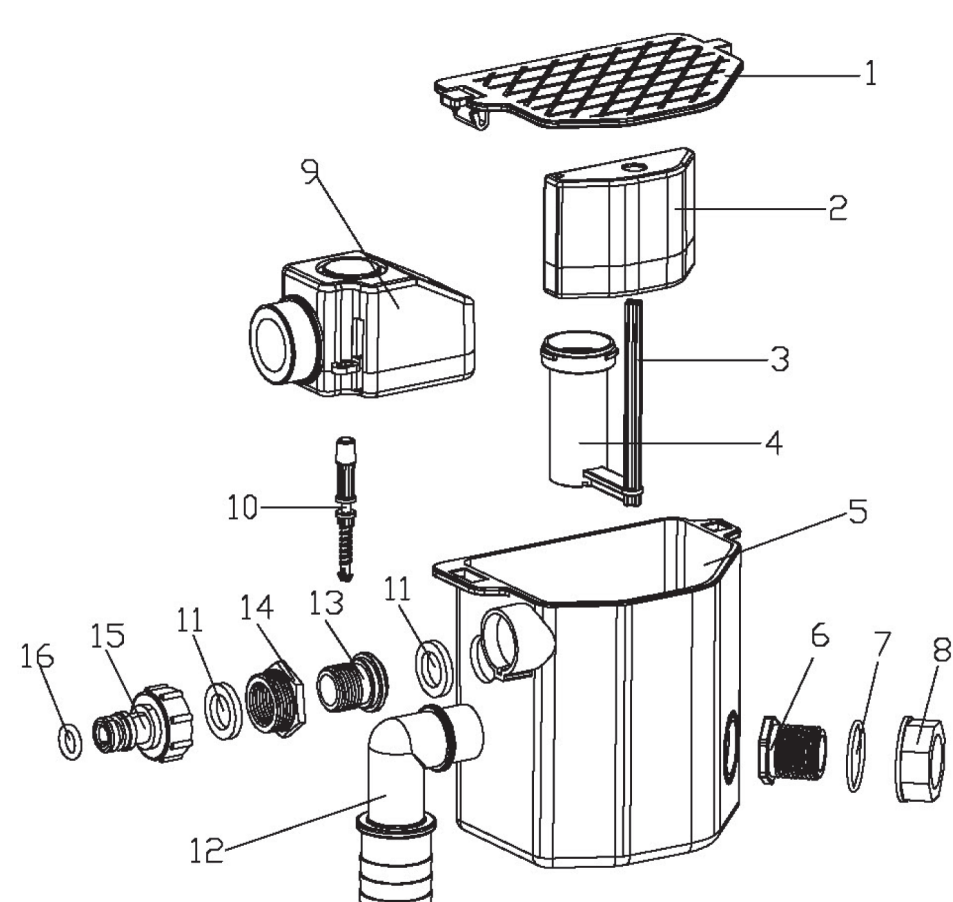


Please read this manual before installation. It helps you to use our product quickly and correctly.

规格: 200x280mm 3910311001 通用91031带补水器的墙面过滤器说明书 托展/张传 131214-1

规格: 200x280mm 3910311001 通用91031带补水器的墙面过滤器说明书 托展/张传 131214-2

Attachment: exploded picture



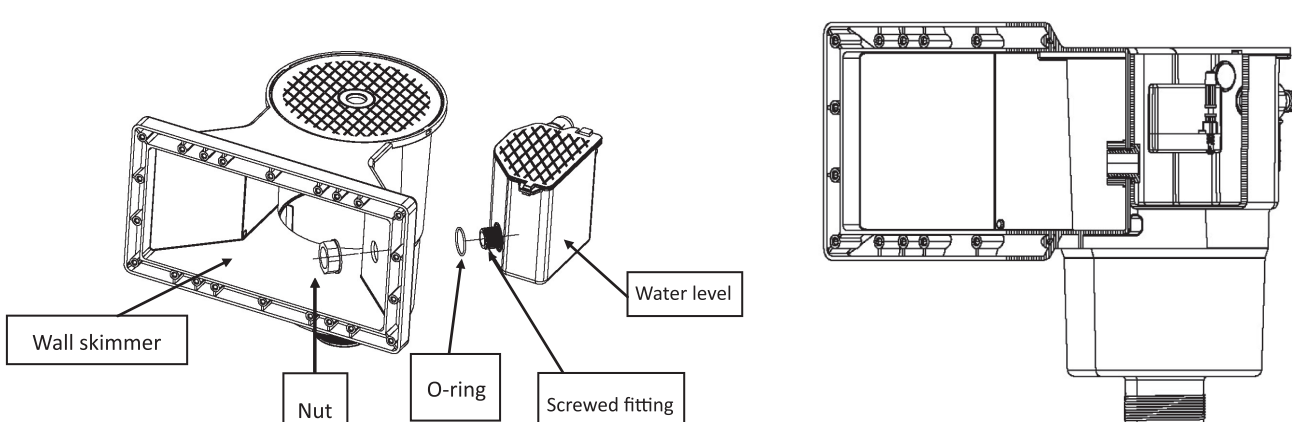
NO.	Description	Quantity	NO.	Description	Quantity
1	cover of water tank	1	9	valve	1
2	float	1	10	regulating bar	1
3	guide bar	1	11	gasket	1
4	connecting pipe	1	12	overflowed	1
5	water tank	1	13	inlet screwed joint	1
6	screwed fitting	1	14	copper joint	1
7	O ring	1	15	inlet	1
8	nut	1	16	O ring	1

Installation:

1. Installation of pool skimmer with water level

1) Drill connecting holes on the pool skimmer, size as showed in the picture on the right:

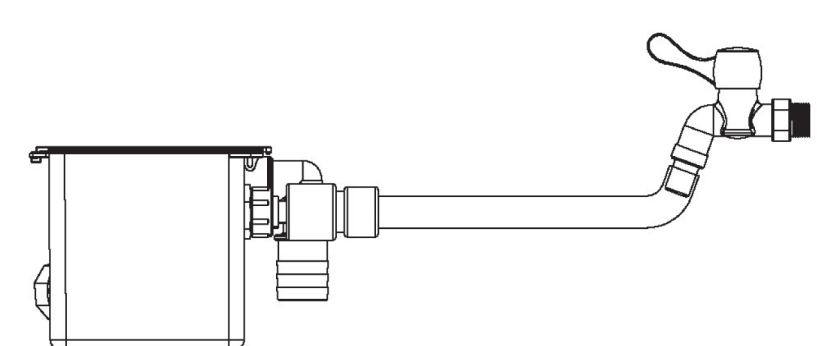
Note: Only applicable to our products.
2) Thread the screwed fitting of the water level into the connecting hole; then tighten the nut. There is an O ring between the fitting and the nut to prevent leakage.



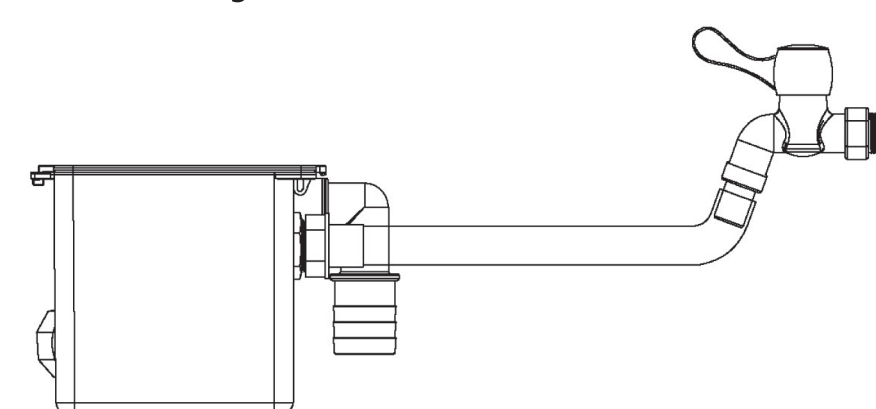
Please skip this step if you purchase a complete set of products which the wall skimmer and water level is connected already.

2. Two ways to connect the water level with hose:

Connect water level with hose by quick disconnect.



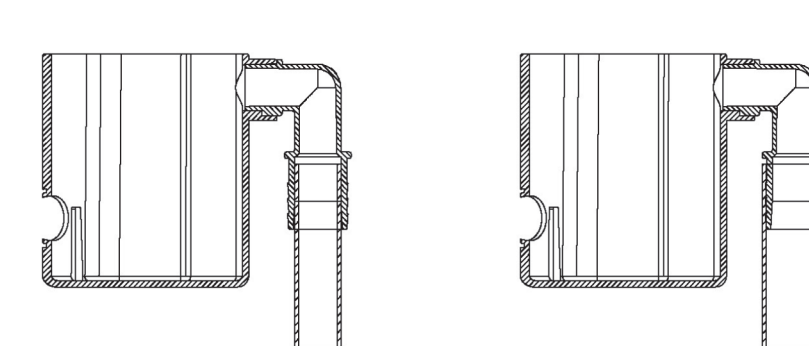
Connect water level with garden hose.



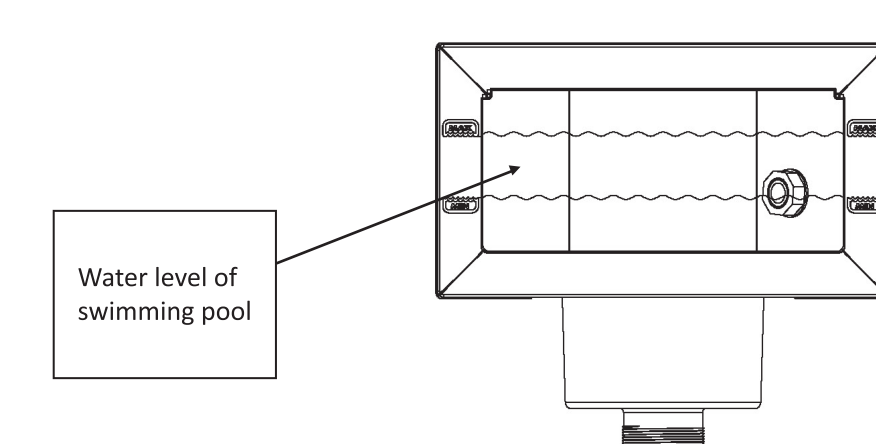
3. There is an overflowed fitting on the water tank so that the water can flow out from it when the water level of swimming pool is too high in rainy days.

Two ways to connect:

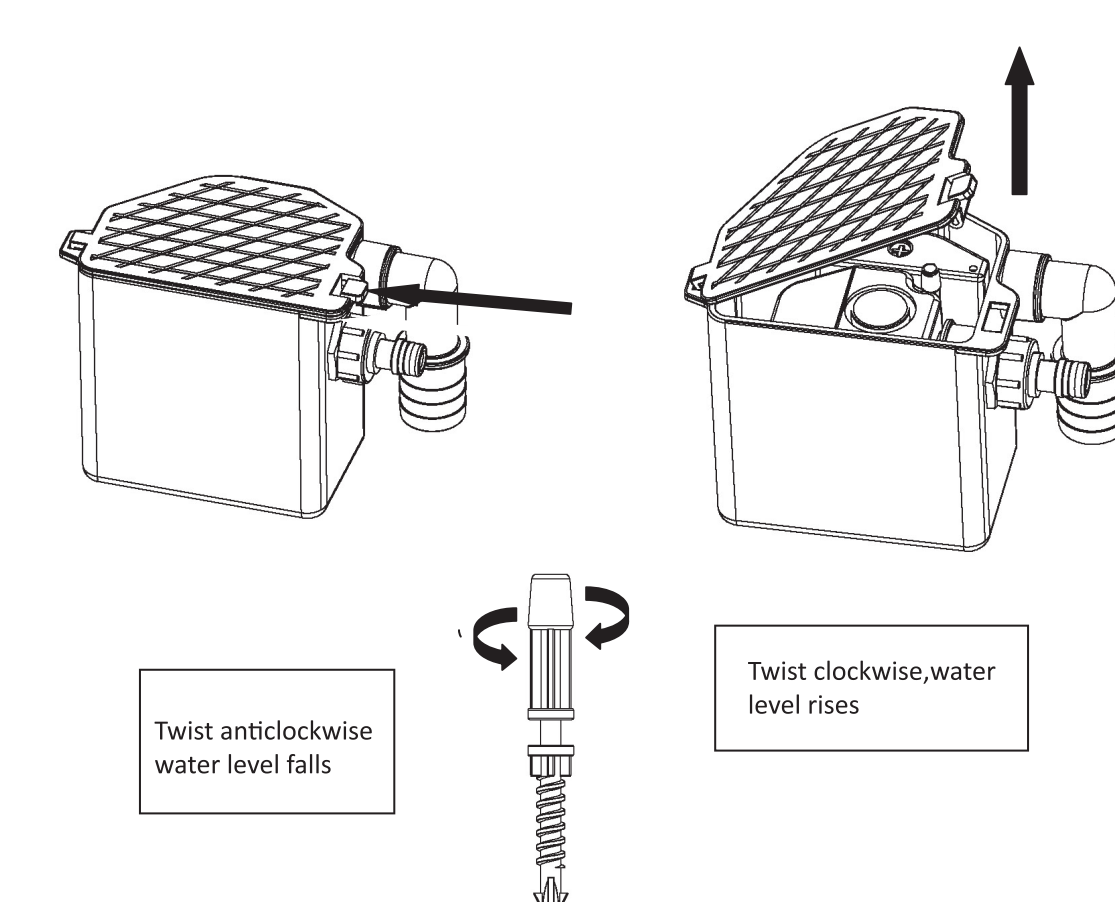
- 1) use in 1" outer diameter PVC pipe to joint with overflowed fitting
- 2) use in 1 1/4" inner diameter hose to joint to joint with overflowed fitting



4. If the water level of the pool is not what you need, the regulating bar in the water tank can help to adjust the water level.



Open the water tank cover and adjust the regulating bar.



Note:

1. All components could not be assembled and disassembled at a venture, otherwise may cause leakage.
2. Make sure the cover of water tank is covered well to prevent leaves or other debris running into the water tank. Debris will effect the float's work and block the outlet. Any sundries should be cleared immediately if found.
3. To avoid unnecessary damage, do not loosen the quick disconnect or pull hose out when the tap is running.
4. If any leakage is found in joint part, it may be caused by looseness of the nut. Please tighten it again.

规格: 200x280mm 3910311001 通用91031带补水器的墙面过滤器说明书 托展/张传 131214-3

规格: 200x280mm 3910311001 通用91031带补水器的墙面过滤器说明书 托展/张传 131214-4