



# Universal Resin Fence

## Installation Instructions



**DANGER**

### WARNING

**NOTHING REPLACES ADULT SUPERVISION IN THE SWIMMING POOL ENVIRONMENT. NEVER LEAVE CHILDREN UNATTENDED IN THE SWIMMING POOL AREA.**

### SAFETY INFORMATION

Your pool is designed for years of pleasurable, safe family fun. But when used incorrectly, a swimming pool can be dangerous. To ensure your pool is used safely, you **MUST** observe the following safety precautions:

- # Do not dive! Do not jump! No rough play! No running or pushing!
- # Do not walk on top rail. It can be slippery & is not a walkway.
- # Be sure to install all safety labels provided with your pool according to the instructions.
- # Keep a safety rope 1/4" by 50' with a floatation buoy with an outside diameter of 15". Have accessible in prominent area by your pool.
- # Post near all entrances to the pool area a list of phone numbers of the:
  - # Nearest available police
  - # Nearest available fire department
  - # Nearest available rescue unit
  - # 911 emergency number if available
  - # Nearest ambulance service
  - # Nearest available hospital
  - # Nearest available physician
- # Provide fencing or enclosure that is independent of the house as a closure around the entire pool area. The fence must be made of durable material to make pool inaccessible to toddlers and uninvited guests.
- # Make sure gate is always closed. Be sure to follow local build-

- ing code requirements for load capacity and fencing.
- # Check with your local town for any special laws in your locale.
- # Never drink alcoholic beverages or use any intoxicants, which could hinder your judgment or reflexes.
- # Never use pool alone. All children must be supervised continuously.
- # Do not use pool if bottom is not clearly visible: At night sufficient lighting must be available. It is the pool owner's sole responsibility to provide adequate lighting for pool bottom, safety signs and walkways, which exceed the standards of EIS of North America.
- # Do not climb, stand or sit on any pool structure or filter system. Components such as the filtration system, pumps, and heater must be positioned so as to prevent their being used as a means of access to the pool by young children.
- # Be sure that all toys, chairs and tables or similar objects that a young child could climb on are at least 4 feet away from pool.
- # Do not use pool during electrical or rain storms.
- # See available A.P.S.P. (Association of Pool & Spa Professionals), publications for more tips on pool safety.

### Tools Required



Drill



Drill bit



Screwdriver



Tape Measure



Saw



Pencil



Safety Glasses

Required for optional Gate 4 x 4



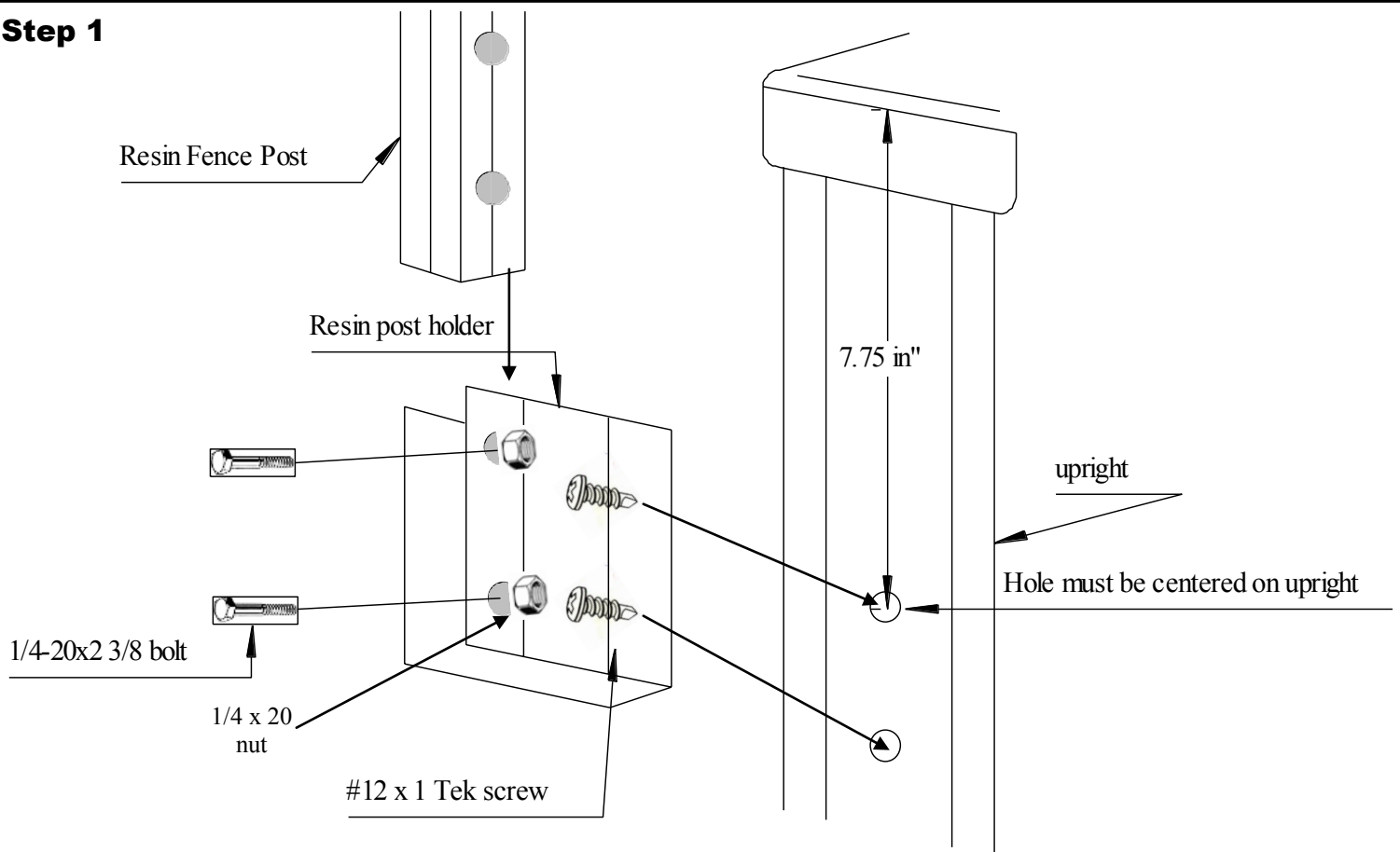
2" Sheet metal screw



**WARNING: ABOVE GROUND SWIMMING POOLS ARE NOT DESIGNED FOR DIVING OR JUMPING  
DIVING OR JUMPING INTO SHALLOW WATER MAY RESULT IN SERIOUS BODILY INJURY**



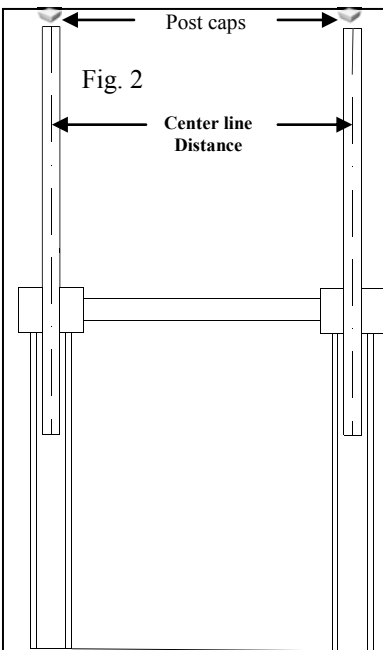
**Step 1**



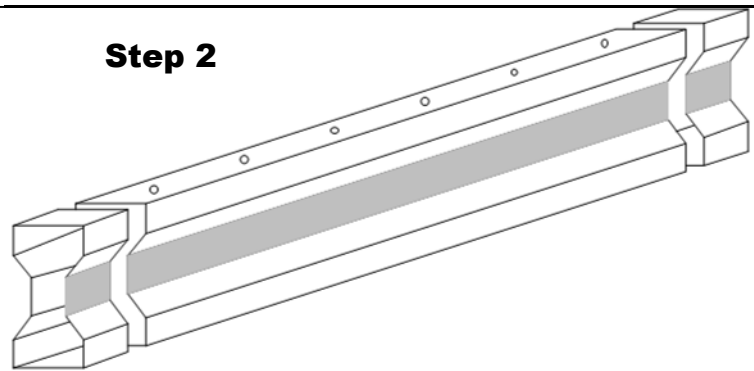
Install post holders to pool upright and mount post. Mark top hole in the center of the upright 7 3/4" from top of upright, or lower if the top cap support requires. Fasten post holder to upright using two #12x1" self tapping Tek screws, locate second hole using holder. After installing holder to upright attach fence post to post holder using two 1/4"-20x 2 3/8 bolts and two 1/4" nuts.

**IMPORTANT**

**YOU MUST DETERMINE WHERE YOU WOULD LIKE TO PLACE YOUR SELF-CLOSING GATE OPTION. LEAVE THIS AREA BETWEEN THE POST EMPTY TILL YOU ARE READY INSTALL GATE**

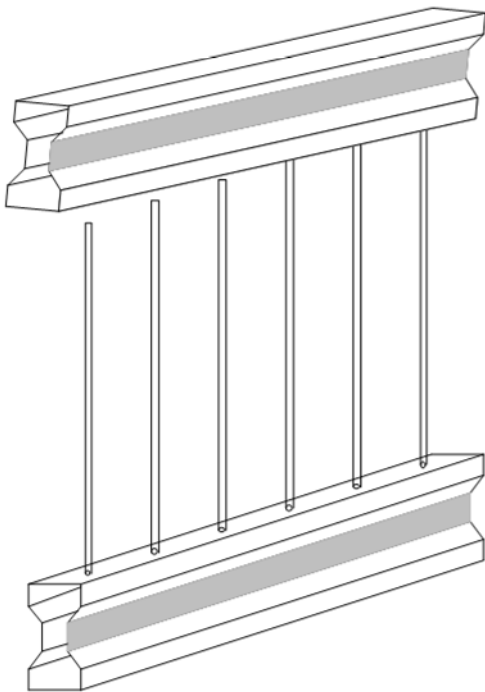


## Step 2



Install the fence post caps. (using an adhesive will secure caps). Measure between the two fence posts from center line to center line as per (fig. 2). Actually measure between each section as you work your way around pool to eliminate any variances. Cut two fence channels to the exact length you measured. **Cut equal amounts off each end of fence channel** to insure balanced spacing of pickets. Important, it is better to be a little long then to be short as you can always trim but you can't add.

Fig. 4



## Step 3

Assemble the fence section by placing the pickets into the lower fence channel,. Then take the upper channel and starting from one end push the channel over each picket one at a time until all pickets are held in place (fig. 4). Check to make sure every hole has a picket.

Place assembled section into the pre-cut holes on the fence posts as per (fig. 5). Repeat this process around entire pool.

Use #8 screws to secure fence channels to fence post as per (fig. 6), 4 screws per post. Repeat this process around entire pool.

Fig. 5

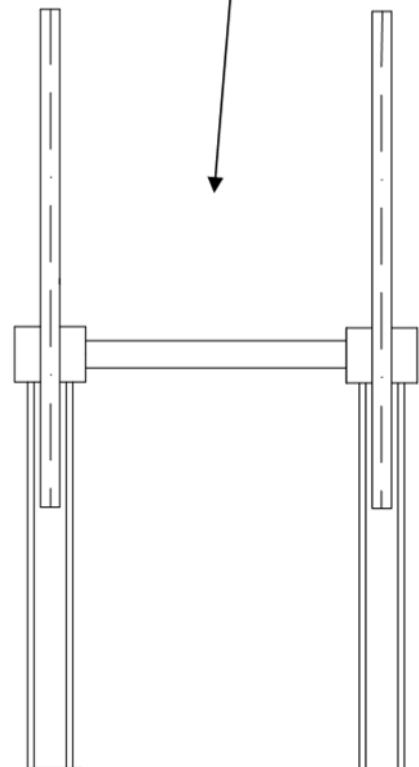
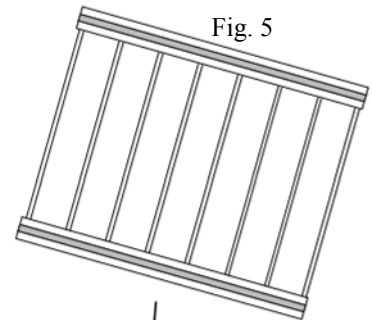
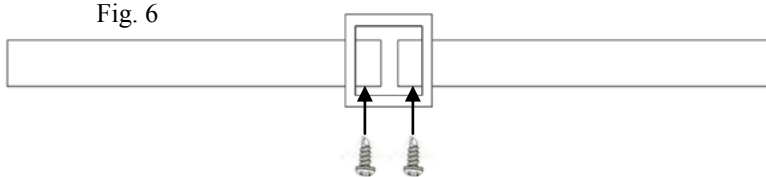
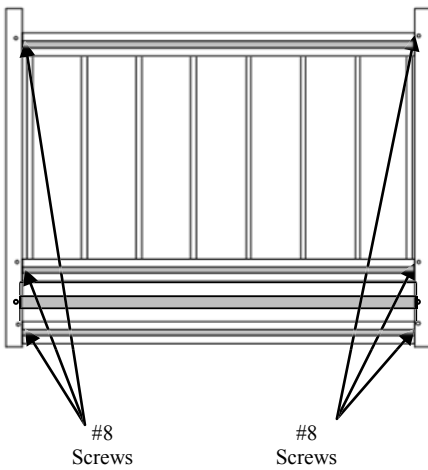


Fig. 6



### Step 4

To determine length of gate channels measure the width of your entry system and add 4". Cut gate channel to this length by removing equal amounts from both ends and assemble in same fashion as fence in fig. 4. use 8 #8 screws to secure gate channel to gate frame. Do **not** fasten hardware yet. Using the gate as shown in fig.6, determine placement of



4" x 4" artificial up-right. Dig hole 6" in depth and measure from bottom of hole to bottom of top-rail and cut 4" x 4" to this length. Fit 4" x 4" artificial upright snugly against pool wall. Secure in place using a 2" sheet metal screw through top-rail into artificial upright. Keeping the post level fill the remaining hole around post with dirt. Verify that the gate width fits between the 2 gate posts.

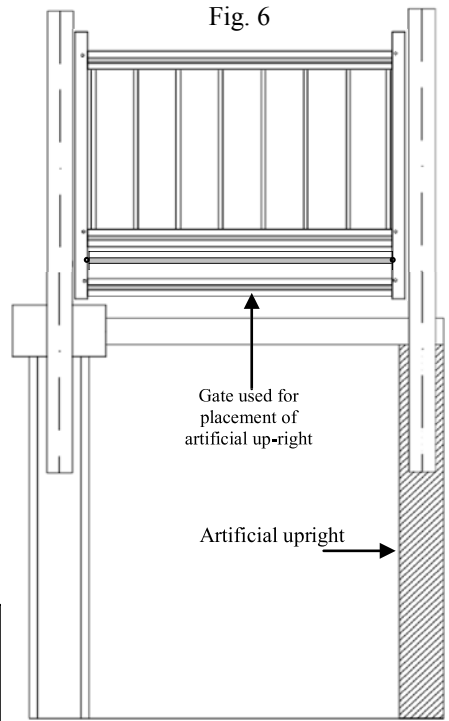


Fig. 6

### Step 5

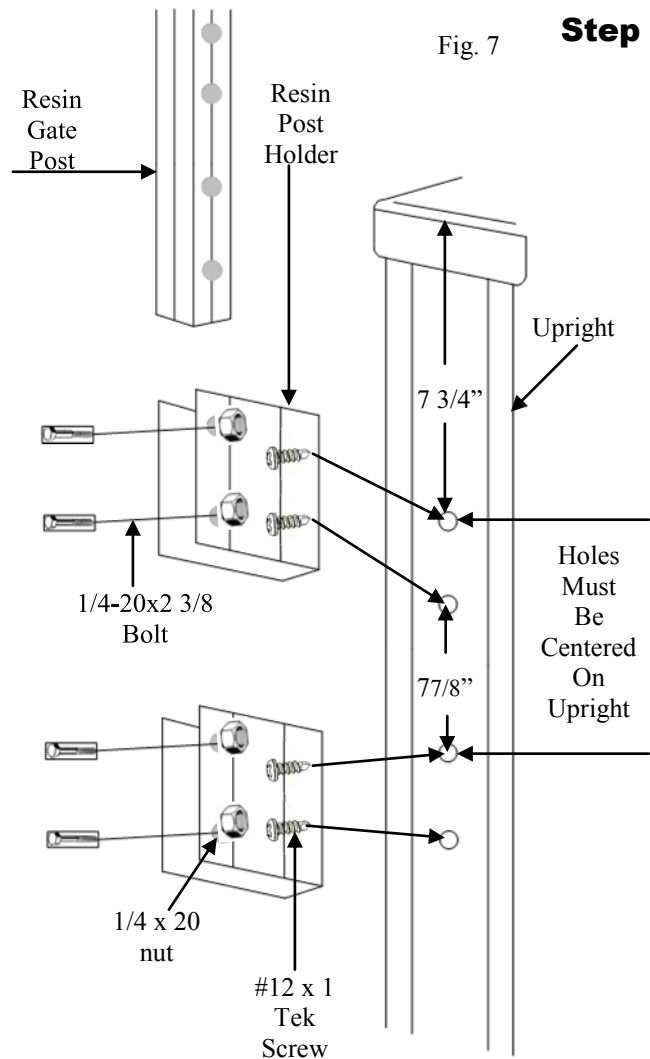
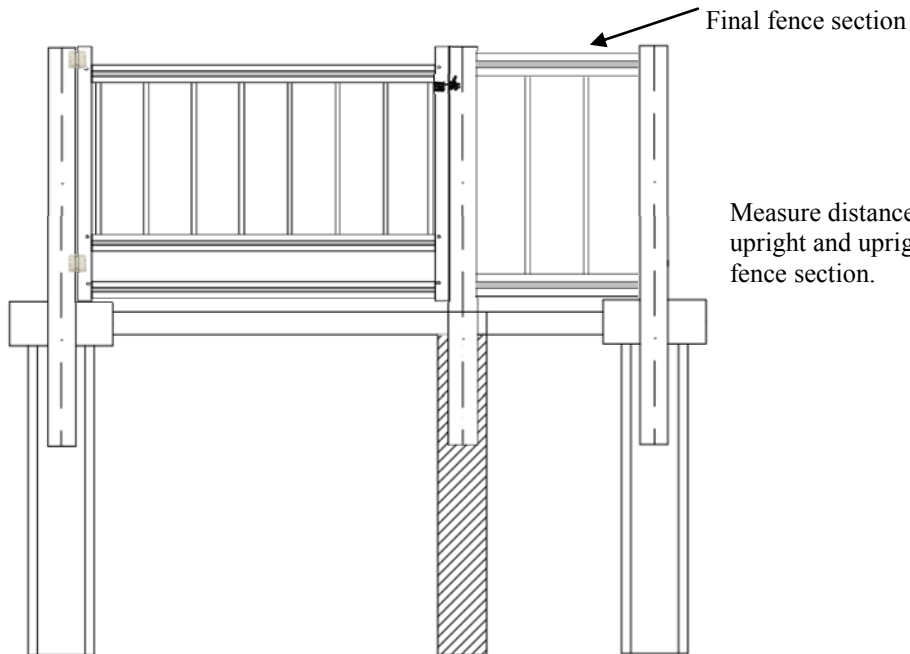
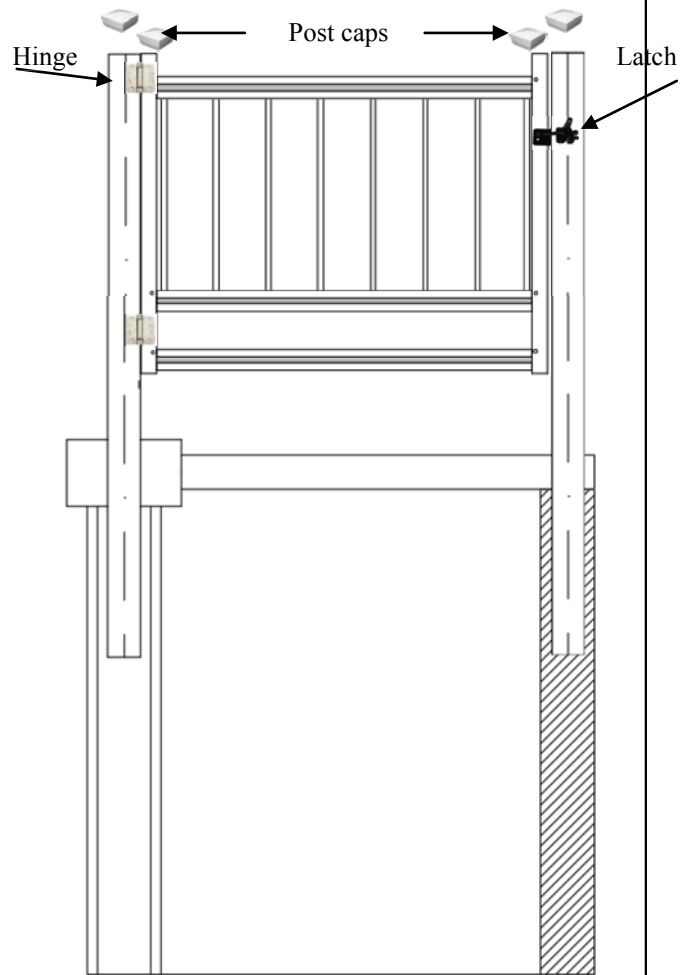


Fig. 7

Mount the gate post holders to the upright by marking the top hole 7 3/4" on center **from the top of the upright or lower cap support if required**. Use the post holder to locate second hole and drill a 5/32" hole in upright. Measure **from the center of the bottom hole to locate center of top hole on second post holder** as per fig. 7. Fasten both gate post holders to upright using 4 #12 x 1 Tek screws. Install gate post to holders using 1/4"-20 x 2 3/8" bolt with 1/4" nuts. Repeat to Artificial upright. **Important use 2 gate holders on each side of gate for proper support.**

## Step 6

Attach the hinges to the gate post, attach gate assembly to gate post. Gate must be flush on top to swing freely. Install gravity latch. **The gate should always open away from pool.** Install the fence post caps. (using an adhesive will secure caps).



## Step 7

Measure distance between fence post on artificial upright and upright and follow step 3 for final fence section.

# KIT REQUIREMENT TABLE

# of Uprights	All require one 8-piece base pack in addition to following	# of Uprights	All require one 8-piece base pack in addition to following
8	None	17	3-3pc add on
10	1-2pc add on	18	2-3pc add on & 2-2pc add on
11	1-3pc add on	19	3-3pc add on & 1-2pc add on
12	2-2pc add on	20	4-3pc add on
13	1-3pc add on & 1-2pc add on	21	3-3pc add on & 2-2pc add on
14	2-3pc add on	22	4-3pc add on & 1-2pc add on
15	1-3pc add on & 2-2pc add on	23	5-3pc add on
16	2-3pc add on & 1-2pc add on	24	4-3pc add on & 2-2pc add on

## Packing list for each carton

### 8 Piece Base Pack: #18601

Part Number White	Description	Quantity
310900	Post, End, 35 3/4"	2
310901	Post, Middle, 35 3/4"	7
310902	Fence Channel—60"	16
310904	Picket—23 1/2"	104
310905	Post Holder—4 1/2"	9
310906	Post Cap	9
310907	Hardware Pack: 8 Piece Base Pack	1

### 3 Piece Pack: #18602

Part Number White	Description	Quantity
310900	Post, End, 35 3/4"	0
310901	Post, Middle, 35 3/4"	3
310902	Fence Channel—60"	6
310904	Picket—23 1/2"	39
310905	Post Holder—4 1/2"	3
310906	Post Cap	3
310908	Hardware Pack: 3 Piece Base Pack	1

### 2 Piece Pack: #18603

Part Number White	Description	Quantity
310900	Post, End, 35 3/4"	0
310901	Post, Middle, 35 3/4"	2
310902	Fence Channel—60"	4
310904	Picket—23 1/2"	26
310905	Post Holder—4 1/2"	2
310906	Post Cap	2
310908	Hardware Pack: 2 Piece Base Pack	1

### Gate: #15074

Part Number White	Description	Quantity
310910	Gate Post	2
310911	Gate End Post Left	1
310912	Gate End Post Right	1
310913	Gate Channel: With Picket holes	2
310914	Gate Channel: No Picket holes	2
310904	Picket	13
310905	Post Holder—4 1/2"	4
310906	Post Cap	4
310915	Hardware Pack: Self Closing Gate	1
310916	Latch and Finger	1
310917	Spring Loaded Hinges	2