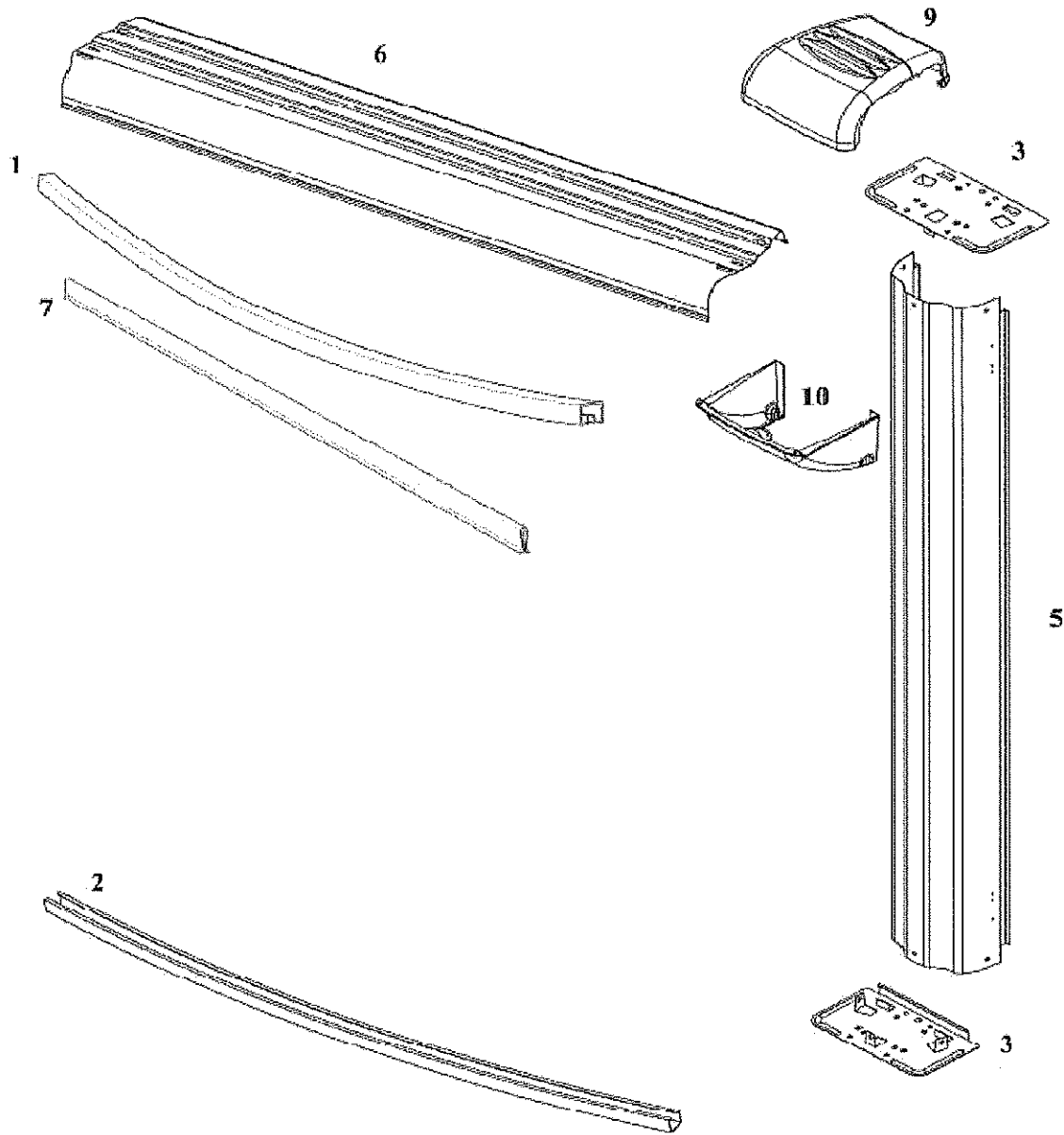


**FOREVER ROUND PFORFAL-
54SSPSSD2-WS



Product Description:

Forever Round

9/15/2021

Product Code

PFORFAL-**54SSPSSD2-WS

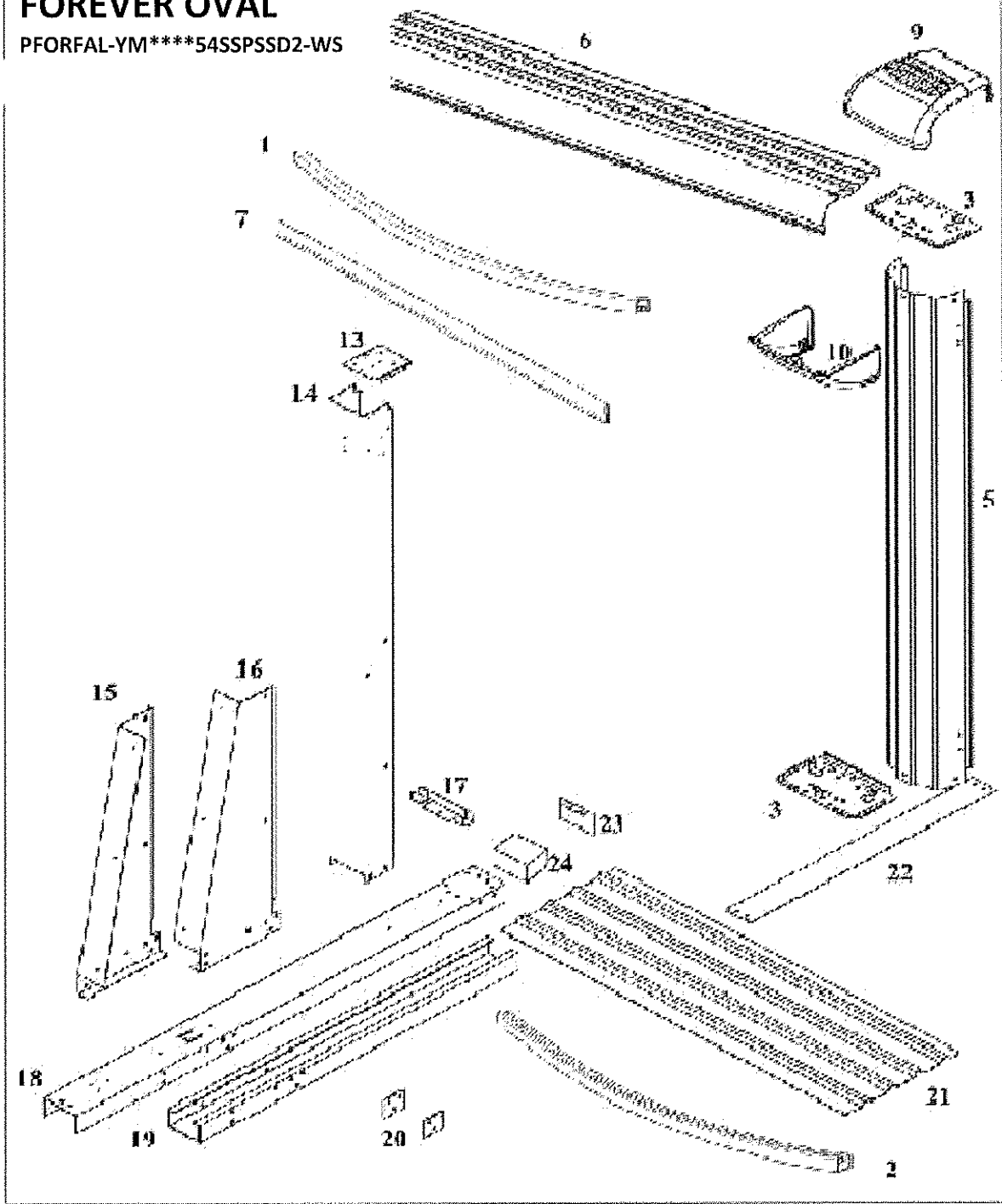
Qty Required for Installation (by Size)

Index #	Description	Part #	Length	Qty Required for Installation (by Size)				
				15'	18'	21'	24'	27'
6	Top Rail Curved	27626	56-5/32"	10	12	14	16	18
5	Upright	19616	53-13/16"	10	12	14	16	18
10	Top Cap Support	27392	8"	10	12	14	16	18
9	Top Cap Large Half	27393	8"	10	12	14	16	18
3	Top/Bottom Plate	19164	8"	20	24	28	32	36
7	Plastic Coping	10296	48"	12	14	16	19	21
1	Inner Stabilizer	38502	53-1/4"	11				
1	Inner Stabilizer	38503	54-1/8"		13			
1	Inner Stabilizer	38505	54-7/16"			15		
1	Inner Stabilizer	38506	52-1/4"				18	
1	Inner Stabilizer	38507	52-7/8"					20
2	Bottom Rail Steel	38737	54-1/8"	10				
2	Bottom Rail Steel	38738	54-7/16"		12			
2	Bottom Rail Steel	38739	54-5/16"			14		
2	Bottom Rail Steel	38740	54-1/8"				16	
2	Bottom Rail Steel	38741	54-1/4"					18
*	Hardware Stainless Steel	44-10053		1				
*	Hardware Stainless Steel	44-10055			1			
*	Hardware Stainless Steel	44-10057				1		
*	Hardware Stainless Steel	44-10058					1	1
*	Envelope Safety Stickers	95-0007		1	1	1	1	1
*	Instructional DVD	99975		1	1	1	1	1

*May not be pictured

FOREVER OVAL

PFORFAL-YM****54SPSSD2-WS



Product Code

PFORFAL-YM****54SSPSSD2-WS

			Qty Required for Installation (by Size)						
Index #	Description	Part #	Length	1217	1218	1224	1524	1526	1530
6	Top Rail Curved	27622	40-9/32"	12	8	10			
6	Top Rail Curved	27624	51-11/32"				10	10	10
6	Top Rail Straight Side	27627	41-13/32"	2	2	8	2	8	10
6	Top Rail Transition	38731	45-5/8"		4				
6	Top Rail Transition	27644	47-5/16"				4		
5	Upright	19616	53-13/16"	10	10	12	12	12	12
14	Wrap Upright Oval	35739	54"	4	4	6	4	6	8
10	Top Cap Support	21177	8"	4	4	6	6	6	8
10	Top Cap Support Curved	27392	8"	10	10	12	12	12	12
9	Top Cap Large Half	27393	8"	14	14	18	18	18	20
3	Top Plate	10136	4"	4	4	6	4	6	8
3	Top/Bottom Plate	19164	8"	20	20	24	24	24	24
7	Plastic Coping	10296	48"	14	14	16	19	18	19
1	Inner Stabilizer	38501	42-5/8"	12	8	10			
1	Inner Stabilizer	38502	53-1/4"				10	10	10
1	Rim	38511	37"			4		4	4
1	Rim	38512	33"	2	2	4	2	4	8
1	Rim	38513	8"	4	4	6	4	6	8
1	Rim	38514	43"		4		4		
2	Bottom Rail Steel	14950	49"				10	10	10
2	Bottom Rail Steel	22901	45"		4		4		
2	Bottom Rail Steel	38736	38"	12	8	10			
2	Bottom Rail Steel	16713	37-1/2"	2	2	4	2	4	6
2	Bottom Rail Steel Corner	16714	39"			4		4	4
17	Connector Bottom Rail Straight Side	16542	1"	4	4	6	4	6	8
21	Pressure Plate	16549	44"	4	4	6	4	6	8
18	Upper Oval Channel	16539	52-3/8"	4	4	6	4	6	8
23	Oval Channel End Cap	22726		4	4	6	4	6	8
24	Oval Channel Foam Block	29917	2x4x4-1/8"	4	4	6	4	6	8
19	Under Channel Yardmore	15933	45-9/16"	4	4	6	4	6	8
15	Yardmore Gusset Left	35740		4	4	6	4	6	8
16	Yardmore Gusset Right	35741		4	4	6	4	6	8
22	Strap Section	16724	41-11/16"	4	4	6			
22	Strap Section	16725	40-11/16"				6	9	12
20	Hardware Stainless Steel Base Pack	22-16722	[2 upr]			1		1	
20	Hardware Stainless Steel Base Pack	22-16720	[4 upr]	1	1	1	1	1	2
*	Hardware Stainless Steel	44-10093		1	1				
*	Hardware Stainless Steel	44-10095				1	1		
*	Hardware Stainless Steel	44-10097						1	
*	Hardware Stainless Steel	44-10098							1
*	Envelope Safety Stickers	95-0007		1	1	1	1	1	1
*	Instructional DVD	99975		1	1	1	1	1	1

*May not be pictured