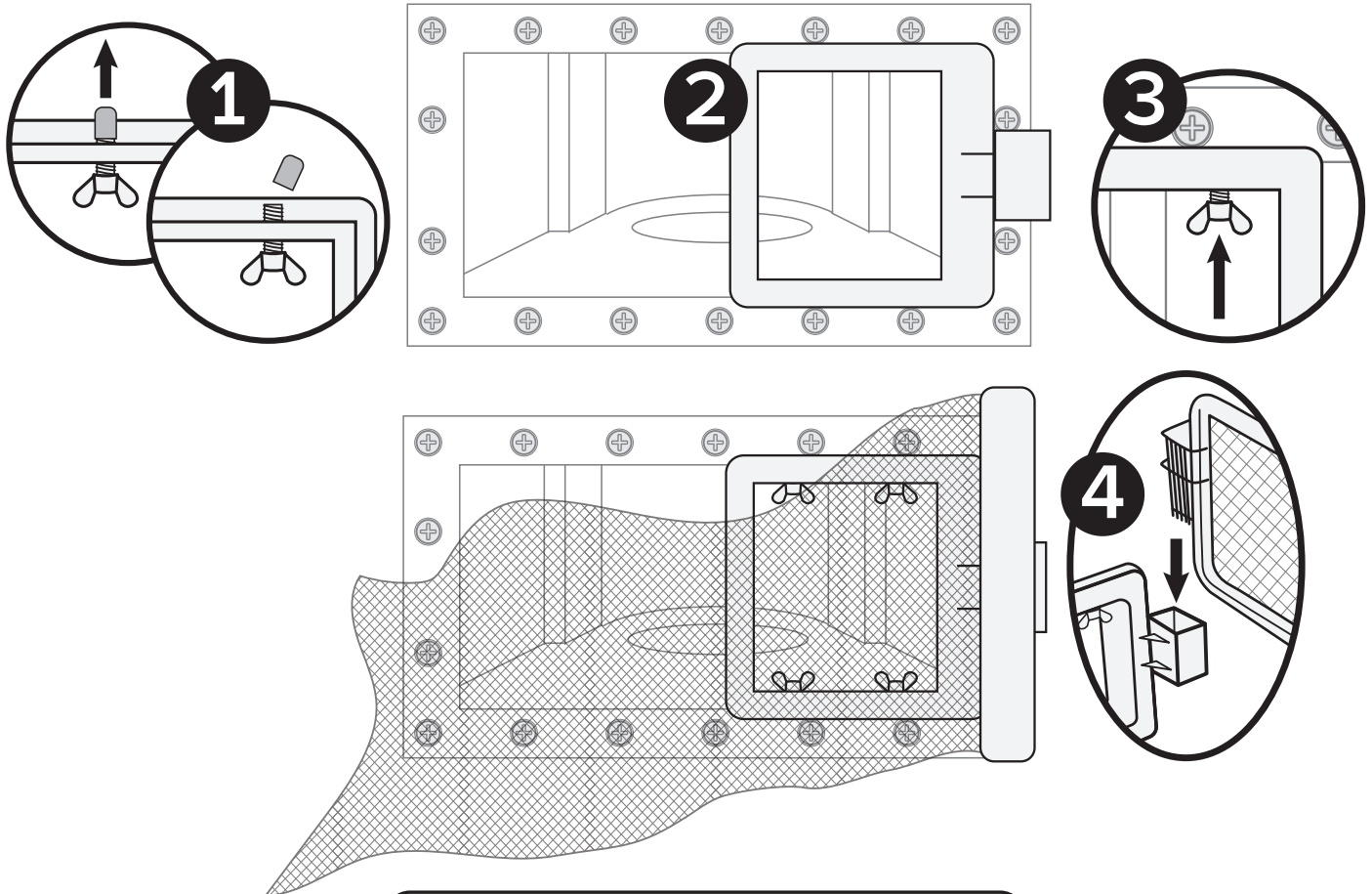
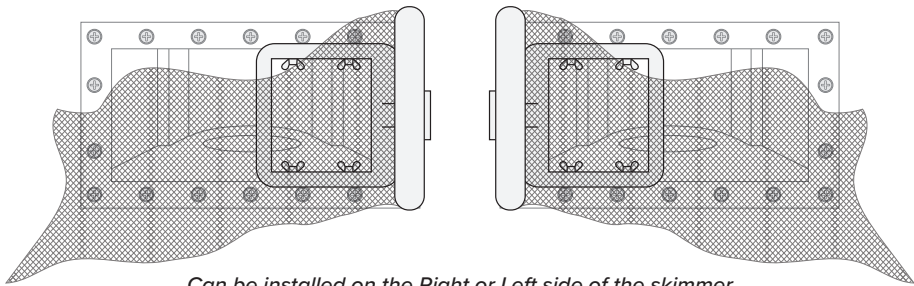


1. Remove the protective rubber caps from the screws by unscrewing them. Leave the four screws into the frame (leaf catcher support).
2. Insert frame into skimmer opening.
3. Tighten the screws by hand to secure the frame. **DO NOT OVERTIGHTEN.**
4. Insert the leaf catcher into the opening provided.



Be sure to adjust the nozzle on the return fitting to circulate the water all the way around the pool to catch any debris in the net.



Can be installed on the Right or Left side of the skimmer

If you have any questions about this product or problems with the installation please contact:  
[csrusa@champlainplastics.net](mailto:csrusa@champlainplastics.net)