



# FlowXtreme PRO

FlowXtreme Pro Filter System Manual



VER.0318

NE4500  
NE4501  
NE4502  
NE4503  
NE4504

## **A. Safety Warnings**

Read all Warnings and Cautions noted below. Failure to do so could result in serious or fatal injury.

- Prior to installation of this unit, carefully read and adhere to all CAUTION, ATTENTION, and ADVICE notices located throughout this manual. Failure to comply with these instructions can cause serious injury, death, or damage to the unit.
- RISK OF SUCTION ENTRAPMENT HAZARD, WHICH, IF NOT AVOIDED CAN RESULT IN SERIOUS INJURY OR DEATH. Do not block pump suction at the pump or in the pool as this can cause severe injury or death.
- Electrical wiring MUST be installed by trained professional and adhere to local code and regulations.
- Avoid electric shock. DO NOT USE power extension cords.
- Connect ONLY to a Ground-Fault Circuit Interrupter (GFCI) power outlet. Consult a qualified professional electrician for safe and proper installation of a qualified electrical outlet.
- Incorrectly installed equipment may fail, causing severe injuries or damage to the pump-filter system.
- Never submerge the filter and/or pump in water.
- Never place the pump or filter in your pool.
- Trapped air in the pump-filter system may cause the TANK COVER to be blown off which can result in death, serious injury, or damage to the pump-filter system. Ensure all air is out of system before operating.
- Never change the 7 Position Multi-Port Valve while the system is operating.
- ALWAYS unplug the system before changing the control valve.
- Install this product with sufficient safety margin from the pool to prevent children from using the system to access the pool.
- Never PLUG or UNPLUG this unit from an electrical source while standing in water.
- NEVER service this unit with electrical power cord connected.
- DO NOT operate the system while the pool is being used.
- KEEP CHILDREN AWAY from all electrical equipment.
- NEVER ALLOW CHILDREN TO OPERATE THIS EQUIPMENT.
- The Pool Owner should always exercise caution and common sense when utilizing their swimming pool and operating equipment.

## **B. General Information**

This manual provides information relating to the installation, utilization and maintenance of our filtration system. We recommend that you read this manual in its entirety and keep it for future reference,

The pump included with the filtration system is a horizontal, self-priming centrifugal pump. For the pump to function correctly, the water temperature must not exceed 35°C/95°F. The materials used in the pump have undergone stringent hydraulic testing and electrical inspections.

The filter tank included in the filtration system consists of high-grade polypropylene (PP).

It is manufactured as a single unit (absolutely corrosion resistant and resistant to commercially available swimming pool chemicals). (Prerequisite: Compliance with the standard recommended specifications for the pH- and chlorine value). It is equipped with a tank drainage system, pressure gauge, built-in container components, e.g. bottom laterals for even water distribution. The filter tank comes ready to attach and is supplied with a user-friendly 7 Position Multi-Port Valve attached to the tank cover, an approved filter pump with hair and lint basket, and a plastic base for ready on-site mounting.

Read this manual carefully before installation. The filtration system and pump must be installed in accordance with all federal and local codes and standards in effect for the area of installation.

We decline all responsibility for the consequences of failure to comply with the installation instructions. We recommend that you comply with the power source instructions to avoid overloading the pump motor and/or electric shock.

This filtration system is not intended for use by persons with reduced physical, sensory or mental capabilities, or lack of experience and knowledge.

Safety notes and information boxes should always be observed.

### **C. Safety Notes**

Your filter pump was constructed and tested and left the manufacturing plant in technically operational condition. In order to maintain this condition and ensure safe operation, the user should observe the notes and product information contained in this technical manual. If there is any indication that safe operation is no longer possible, the device is to be disconnected from the power supply and secured against accidental use.

This is the case when:

- The device has visible damage.
- The device no longer appears functional.
- After long periods of storage in poor conditions.

If the power cord or other parts of this equipment are damaged, they have to be replaced by manufacturer or its service agent or a similarly qualified person in order to avoid danger.

### **D. Damage during delivery**

Your filter system has been carefully and professionally packed for delivery. Please check to ensure that the package is undamaged and that all parts are in the box. If you purchased this product on order and the product was shipped to you, ensure that delivery is complete. Damage to product as a result of shipping is not the responsibility of the supplier and must be immediately reported to the shipper. The shipper assumes the liability for damages during delivery, the supplier is not responsible for it.

### **E. Implied Warranty**

The manufacturer warrants safe operation and reliability only under the following conditions:

- The filter system is installed and operated according to the assembly and operating instructions.

- Only original replacement parts are used for repairs or replacements (consumable & expendable parts do not fall under the warranty).

Expendable parts that do not fall under the warranty include:

- All O-rings
- Pressure gauge
- Mechanical seal, complete
- Hoses and metal hose clamps

## F. Resultant Damages

We cannot be responsible for damages to the product if the product is not used in accordance with the instructions provided.

## G. Technical Data and Specifications

- The recommended filter run time is twice a day for 4 to 5 hours; regular backwashing time is 2-3 minutes at least once a week, and floor vacuum cleaning as needed are the basic pump requirement for maintaining clean swimming pool water!
- The major components for all models are: (Confirm you have all these components before starting installation)

**The 7-way valve, filter pump, filter tank, 1 1/4"-1 1/2" hose connectors and base plate.**

<b>Model</b>	<b>NE4500 (600-HTA2SP100)</b>
<b>Flow rate:</b>	<b>5280 GPH</b>
<b>Voltage/Frequency:</b>	<b>115V/60Hz</b>
<b>Power</b>	<b>2 Speed 1 HP</b>
<b>Amount of Sand:</b>	<b>Max 300lbs</b>
<b>Pool size:</b>	<b>Max 15000 US gal</b>
<b>Model</b>	<b>NE4501 (600-HTA2SP150)</b>
<b>Flow rate:</b>	<b>5520 GPH</b>
<b>Voltage/Frequency:</b>	<b>230V/60Hz</b>
<b>Power</b>	<b>2 Speed 1.5 HP</b>
<b>Amount of Sand:</b>	<b>Max 300lbs</b>
<b>Pool size:</b>	<b>Max 25000 US gal</b>
<b>Model</b>	<b>NE4502 (600-HTI2SP100)</b>
<b>Flow rate:</b>	<b>5040 GPH</b>
<b>Voltage/Frequency:</b>	<b>230V/60Hz</b>
<b>Power</b>	<b>2 Speed 1 HP</b>
<b>Amount of Sand:</b>	<b>Max 300lbs</b>
<b>Pool size:</b>	<b>Max 15000 US gal</b>
<b>Model</b>	<b>NE4503 (600-HTI2SP150)</b>
<b>Flow rate:</b>	<b>5520 GPH</b>
<b>Voltage/Frequency:</b>	<b>230V/60Hz</b>
<b>Power</b>	<b>2 Speed 1.5 HP</b>

<b>Amount of Sand:</b>	<b>Max 300lbs</b>
<b>Pool size:</b>	<b>Max 25000 US gal</b>
<b>Model</b>	<b>NE4504 ( 600-HTI2SP200 )</b>
<b>Flow rate:</b>	<b>6360 GPH</b>
<b>Voltage/Frequency:</b>	<b>230V/60Hz</b>
<b>Power</b>	<b>2 Speed 2 HP</b>
<b>Amount of Sand:</b>	<b>Max 300lbs</b>
<b>Pool size:</b>	<b>Max 40000 US gal</b>

#### **H. Unpacking your filter system**

Carefully remove the product and all component parts from the box. Cross reference all parts in the box with the parts list reference chart to make certain all parts are present before beginning assembly.

NOTE: Some parts may be located within the filter tank. To access these parts, you must remove the tank cover.

Refer to \*pages 12-16 for complete EXPLODED VIEW PARTS DIAGRAMS.

#### **I. Power source instructions**

1. The Above Ground filter pump system you have purchased is equipped with a standard electrical cord and plug which should only be connected to a power outlet protected by a 30 Amp Ground-Fault-Circuit-Interrupter (GFCI) that has been installed by a professional electrician and adheres to local codes and regulations.
2. To avoid electric shock, power cord extensions should not be used.
3. Electrical installations for In Ground Systems should be carried out by a licensed local electrician and follow all the applicable national and local specifications and codes for swimming pool construction.

#### **J. Positioning your filter system**

- For the operation of this filter system with Above Ground pools, you need a skimmer installed in your pool. Either an integrated skimmer (built into the pool wall) or a suspended skimmer (attachment to the pool wall).
- For In Ground pools, follow all National & Local codes relative to suction and entrapment avoidance.
- The installation area must allow an adequate safety margin to the pool wall.
- We recommend putting the filter system on a concrete slab or similar. Be sure the installation is level.
- Additional installation accessories such as hoses, hoses clamps, and filter sand (not included) are available from your pool dealer.

#### **K. Filter-Pump Assembly (Figure1)**

1. Filter pump & Base Plate assembly  
Secure filter pump to the base plate with the provided pump mounting hardware. Orient as shown.

2. The filter pump consists of the following components:

- a. Pump body
- b. 7 position valve
- c. Internal Seal (O-Ring) seal
- d. Valve plate clamping ring with bolt & nut
- e. Filter tank
- f. Riser pipe with hub for filter laterals
- g. Filter laterals
- h. Drain plug assembly
- i. Centering plate & Sand guard
- j. Base plate
- k. Pressure hose or Pre-assembled PVC pipe

### 3. Filter Tank assembly

- a. The riser pipe including connector for filter laterals is inserted into the tank (Figure 2). Connect the filter laterals with the connecting hub for the filter laterals by screwing into the hub (Figure 2&3).
- b. Install the tank drain assembly as shown in figure 1, key 8.
- c. Make sure that the riser pipe and laterals are seated on the bottom of the tank.
- d. Put the centering plate sand guard on the tank opening, while centering the riser pipe. (Figure 4)
- e. Fill the filter tank to about 1/8 depth with water then up to 3/4 full with #20 Pool Filter Grade silica sand.

NOTE: Installation of sand other than #20 Pool Filter Grade silica sand will NOT function properly, and may void your warranty.

Cotton Tails filter media can be substituted for #20 Pool Filter Grade silica sand.

- f. Attach the 7 position valve to the Tank opening using the thick O-ring and the clamping ring (Figure 1, 5&6). Before you do this, clean tank opening to wash off any sand or accumulated debris. The clamping ring is connected with the clamping ring bolt and nut (Figures 5 & 6).
- g. The pressure gauge (if included) is screwed to the side of the 7 position valve. Seal with Teflon tape. The pre-installed vent plug must be removed first (Figure 9).
- h. Attach the pump fittings to the 7 position valve. Seal the pump fittings sufficiently with "Teflon" tape, available at any plumbing or hardware store.

### 4. Pump Hose Connections (Figure 7)

- a. Skimmers: Connect hose from pool skimmer to the intake fitting on the filter pump.
- b. Pressure line: Connect the pre-assembled hard PVC pipe from the upper discharge point on the top of the filter pump to the connector with designation "PUMP" on the 7-way valve.
- c. Return line: Connect flexible hose or hard PVC pipe from the 7-way valve port with the designation "RETURN" to the connection for the pool location. Secure all connections with hose clamps or glue PVC pipe connections.
- d. Backwash: Connect to "WASTE" using backwash hoses and clamps or glued PVC pipe. Backwash hose, clamps or PVC pipe are available from your local swimming pool retail professional.

## **L. Filter system start up**

Once the filter system has been properly assembled, the tank filled with #20 Pool Filter Grade silica sand or Cotton Tails and the hoses connected as described, you may begin filtration. However, we recommend that you first clean and prepare the new sand. Cleaning the sand prior to filtering your pool will remove most of the dust and tiny sand particles that may exist in the sand. If you move straight to filtering, these particles will end up in your pool. To clean the sand, please follow the instructions below.

Do not turn on the system until advised to do so.

Note: Do not back wash on initial installation if filter media is Cotton Tails. Follow the use instructions provided with Cotton Tails.

### **1a. Cleaning the sand for Above Ground Pools**

The swimming pool must be filled with water, according to the instructions of your pool dealer. The water must flow towards the filter pump. Slightly open the pre-filter lid until water flows from the pre-filter top (transparent cover with screw connection on the top of the filter pump).

Release the shut off valve at the intake port (Skimmer) in the pool. If you plugged the intake port (Skimmer), remove the plug to allow the water to flow into the intake hose.

With the filter-pump system installed in a level location lower than your pool's water level water will automatically flow into the pump-filter system. Allow the filter tank to fill with water. Check for leaks and make any necessary adjustments to stop any leaks found.

It may be necessary to use "Teflon" tape, available at any plumbing or hardware store, wrapped around the hose fittings threads, in order to stop leaks.

### **1b. For In Ground Pools**

Insure all PVC fittings and unions are tight.

Prime the pre-filter with water, replace lid and turn on pump.

2. Start with the multi-position valve in position #5, Closed.

3. Follow the backwash process described below:

- Turn off the Motor/Pump at the Power Source.
- Attach backwash hose (not included) to backwash port.
- Place the Multi-Port Valve in the "4 – Backwash" position.
- Turn on the Pump
- Run filter in BACKWASH mode until discharge water is clear.
- Turn off the Motor/Pump at the Power Source.
- Place the Multi-Port Valve in the "2 – RINSE" position.
- Turn on the Pump
- Allow filter to run for 60 seconds to remove any remaining sand or debris residue from pump and valve.
- Turn off the Pump at the Power Source.
- Place the Multi-Port Valve in the "1 – Filtration" position.
- Turn on the Pump.
- Your filtration system is running and ready for further operation.

### M. Filter Valve Position Operation

Setting	Complete water flow/function
Filter Position 1	<u>Function:</u> Regular pool filter action & vacuuming. This is the setting the filter will be set to most of the time. In this position, water is directed through the top of the filter where it compresses and flattens down the sand. Contaminations are trapped by the sand as water makes its way to the bottom strainer, out of the filter and back to the pool.
Rinse Position 2	<u>Function:</u> Use after backwashing to clean the filter bed. This should always be done immediately after backwashing, new sand addition or filter start-up. In this position, water is directed to the top of the tank where it flushes the valve while sending water out the waste line.
Circulation Position 3	<u>Function:</u> Circulate water after chemical treatment. This position is used during certain pool cleanups and chemical treatments when you don't want the water contaminating the sand. In this position, water is only directed through the valve back to the pool and does not filter through the sand.
Backwash Position 4	<u>Function:</u> Clean filter of captured debris. This is the position needed to clean the filter & the sand. You'll know it is time to backwash when the pressure gauge shows more than 10 PSI above what it normally reads when the filter is clean. In this position, water is directed through the bottom strainer, reversing the flow through the tank. This causes the sand to separate and lift while releasing trapped debris out the waste port and backwash hose.
Closed Position 5	<u>Function:</u> Cleaning the hair and lint strainer. This position stops the flow of water into the pump and filter. CAUTION: Do not run pump with valve in this position.
Purge/Drain Position 6	<u>Function:</u> Bypass the filter. This position is ideal for vacuuming pools with large amounts of debris or after an algae treatment. In this position, water bypassed the filter and sends all the water and contaminants out the waste line.
Winterize Position 7	<u>Function:</u> Winterizing and storage. In this position, the valve lever is between positions which removes pressure from internal valve components for winter (off-season) storage. CAUTION: Do not run pump with valve in this position.

## **N. Manual Vacuuming the Pool**

### 1. For Above Ground Pools

Vacuuming is done in valve position #1, Filter, on the valve. The pool vacuum is connected by use of a pool vacuum hose and vacuum plate directly into the skimmer. Do not turn on the pump until the pool vacuum is connected and ready for operation.

Important: The pool vacuum hose must be fully filled with water so that the pump does not lose prime and fill the tank with air.

### 2. For In Ground Pools

Follow vacuuming instructions from your pool professional for the type of vacuum system installed or being utilized.

## **P. Winterize the system in cold weather climates**

### 1. For Above Ground Pools

- Unplug the pump from the power source.
- Close the shut off valves or block the flow of water at the pool inlet and return ports.
- Disconnect the filtration system from the pool, drain the tank and hoses.
- Place the handle on the central valve in position 7- 'Winterize' to relieve the tension on the spring and internal valve components.
- Store the filter system in a location protected from frost and severely cold temperatures. In a garage or insulated storage shed is recommended.

### 2. For In Ground Pools

- We recommend you contact and follow the instructions from your local pool service professional.

## **Q. Important Do's & Don'ts**

### DO'S:

- Be aware and make note of the filter pressure when the sand is clean. Backwash when you see an increase of 10 PSI on the pressure gauge.
- Backwash long enough to clean the sand bed. Let the system backwash until the water leaving the waste line is clear. Note that backwashing can remove 50 – 300 gal of water from your pool so pay attention. Also, be aware of local codes regarding pool water disposal as some communities have rules or codes regarding pool water drainage.
- Protect bottom strainer while replacing or adding sand. Fill the tank with 8" – 12" (about 1/8 of tank height) of water. Cover the water chamber to avoid getting sand inside the riser pipe and laterals.
- Start filter in Backwash mode about 3 minutes and then for about 1 minute in the rinse mode before initial startup or after adding new sand. By doing this you can avoid blowing small particles and impurities from the new sand into your pool. If some debris from new sand does go into your pool, vacuum it with the system in purge mode, otherwise you may send it back to the pool.

DON'TS:

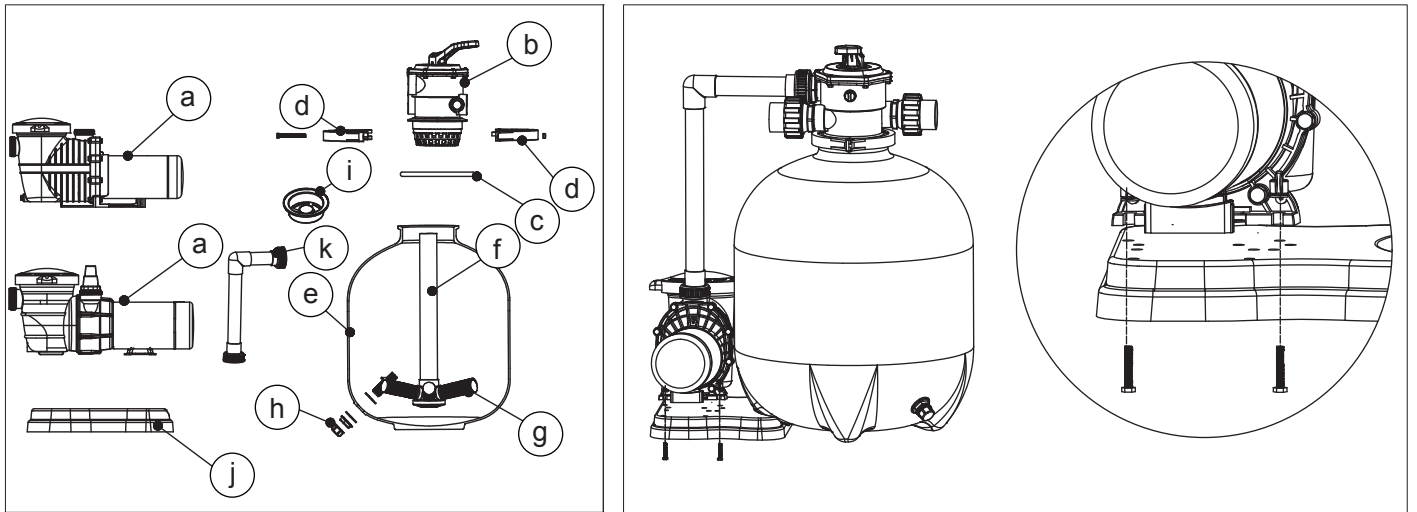
- Move valve handle while the pump is running. It will damage the valve and possibly other equipment as well.
- Backwash excessively. Sand filters operate more efficiently during mid-cycle. Some level of debris in the sand bed actually helps filtration and makes the filter more effective. Too much backwashing will reduce efficiency.
- Vacuum the pool in backwash mode. You can plug up the strainer at the bottom of the filter which will result in inefficient operation. Plus you may have to remove all of the sand to get it unclogged.
- Let filtration system run dry (without water)! If your pump runs dry too long non-warranty damage to the pump may occur. Damage to the pump caused by dry running is NOT covered by the warranty.

## R. Trouble Shooting

Malfunction	Cause	Solution
Pressure gauge has reading more than 10 PSI over the normal filtering pressure	Dirty filter bed	Backwash the filter (position 4)
Pressure is too low	Hair and lint strainer basket is dirty; Pump gets too little water	Clean the hair and lint strainer; check the suction line and the water level
Air in the pump	Poor seal on the intake side of pump	Tighten hose clamps and connecting fittings
Leaking filter	Seal Defective	Check the seal, replace if needed
Pump does not run	Not plugged in	Check the socket and power cord
	G.F.C.I./ or main circuit breaker tripped	Switch on the breaker (if it is immediately tripped again, there is a defect in pump or controls)
	Pump motor defective	Replace motor or entire pump
Sand in Pool	If the sand is newly replaced, the undersized grains are still present	Backwash several times until the backwash water is clear (position 4)
	Sand in Central Valve (from backwash)	Purge into drainpipe for 30 seconds (position 6)
	Filter bottom strainer or laterals are damaged	Replace the filter bottom strainer
Air in system		Loosen, but do not re-move, the air relief valve plug on the multi-position valve to allow any trapped air to escape. Tighten the valve plug once all of the air has escaped.

## S. Installation and Operation Illustration Figures

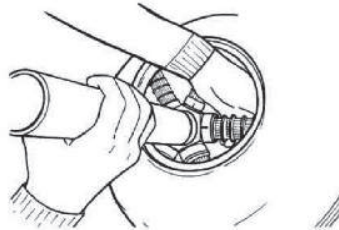
1



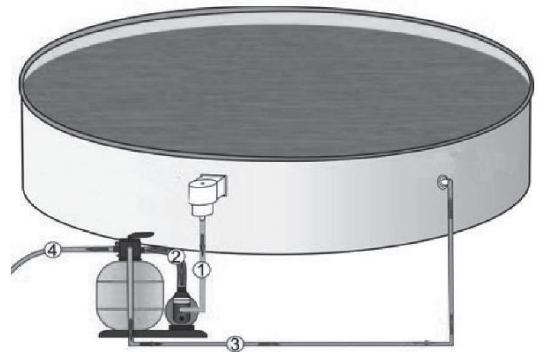
2



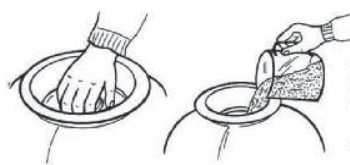
3



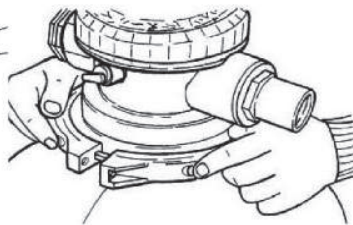
7



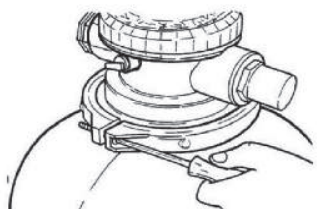
4



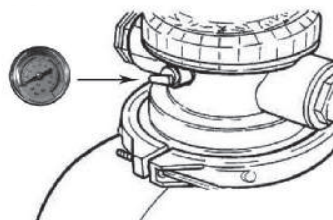
5



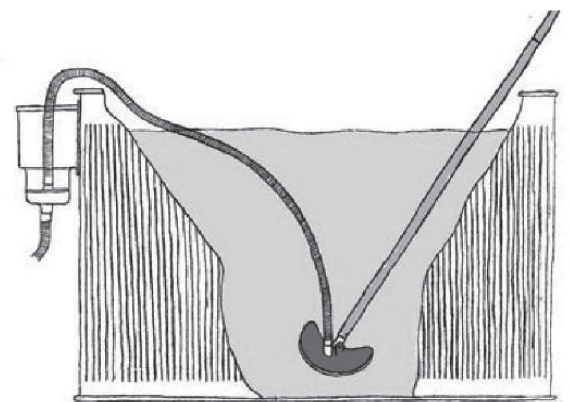
6



9



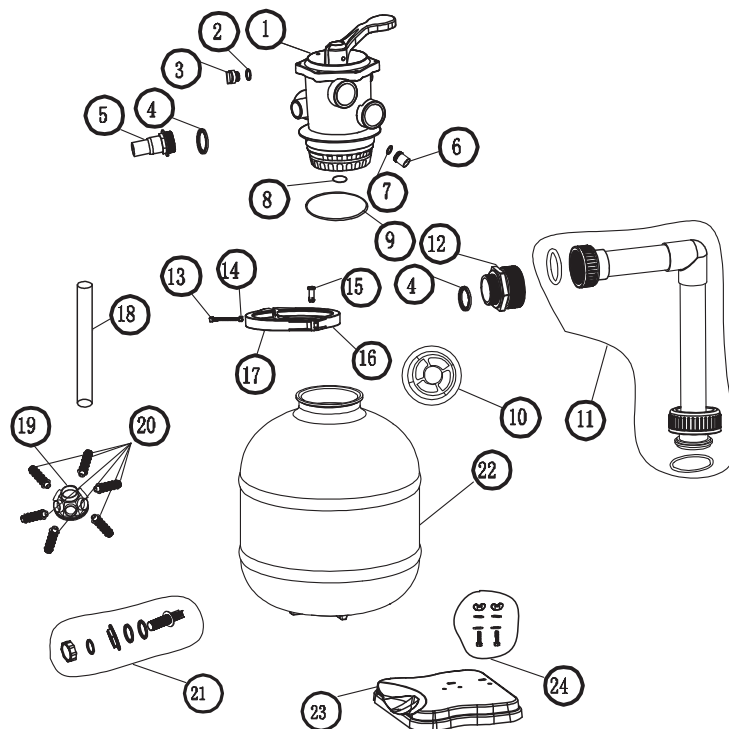
8



**T. Pumps for use with Above Ground Pools**

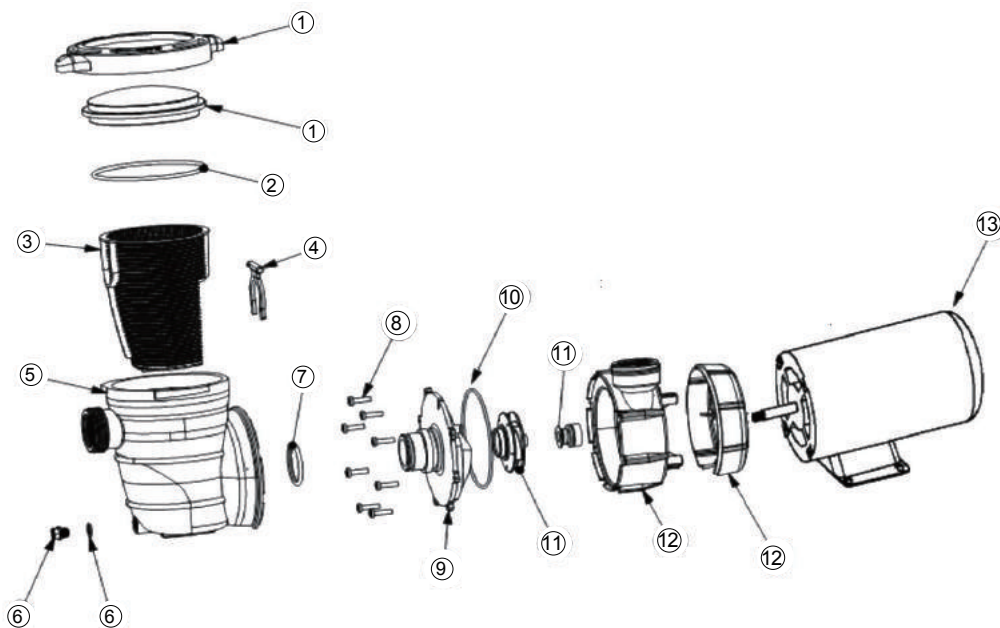
**FX PRO 22" NE4500 & NE4501 WITH FLOWXTREME PUMP PARTS BREAKDOWN**

Key	Part Name	Qty	Manf.No.	B.W.No.	For Model#
1	7-WAY VALVE	1	3001	NEP4060	NE4500-4504
2	O-Ring	1	3002	NEP4061	NE4500-4504
3	CAP	1	3003	NEP4062	NE4500-4504
4	VALVE CONNECTOR GASK ET	3	3004	NEP4063	NE4500-4504
5	VALVE CONNECTOR 1	2	3005	NEP4064	NE4500-4504
6	TRANSPARANCY CAP	1	3006	NEP4065	NE4500-4504
7	GASKET	1	3007	NEP4066	NE4500-4504
8	VALVE GASKET	1	3008	NEP4067	NE4500-4504
9	VALVE BIG O-RING	1	30095	NEP4092	NE4500-4504
10	SAND FUNNEL	1	3010	NEP4068	NE4500-4504
11	CONNECTOR PIPE KIT	1	30116H	NEP4126	NE4500-4504
12	VALVE CONNECTOR 2	1	3012H	NEP4127	NE4500-4504
13	SCREW (BOLT)	1	3013	NEP4070	NE4500-4504
14	NUTS & WASHER	1	3014	NEP4071	NE4500-4504
15	CLAMP PIN	1	3015	NEP4072	NE4500-4504
16	RIGHT CLAMP	1	3016	NEP4073	NE4500-4504
17	LEFT CLAMP	1	3017	NEP4074	NE4500-4504
18	LONG PIPE 600	1	30186	NEP4097	NE4500-4504
19	DISTRIBUTOR	1	3019	NEP4076	NE4500-4504
20	LONG FILTER FINGER	6	30205	NEP4099	NE4500-4504
21	DRAIN VALVE	1	3021	NEP4077	NE4500-4504
22	22" BIG BLOW MOULDED		30226	NEP4102	NE4500-4504
23	BASE PLATE	1	3023	NEP4078	NE4500-4504
24	Pump Bolt Wing Nut PUMP MOUNTING	2	P00175	NEP4261	NE4500-4504
	Pump Bolt Flat Washer PUMP MOUNTING	2	P00176	NEP4262	NE4500-4504
	Pump Bolt Lock Washer PUMP MOUNTING	2	P00177	NEP4263	NE4500-4504
	Pump Bolt Nut PUMP MOUNTING	2	P00178	NEP4264	NE4500-4504



# FX PRO II NE4513,NE4514,NE4515,NE4516,NEP4208 PUMP SERIES PARTS BREAKDOWN

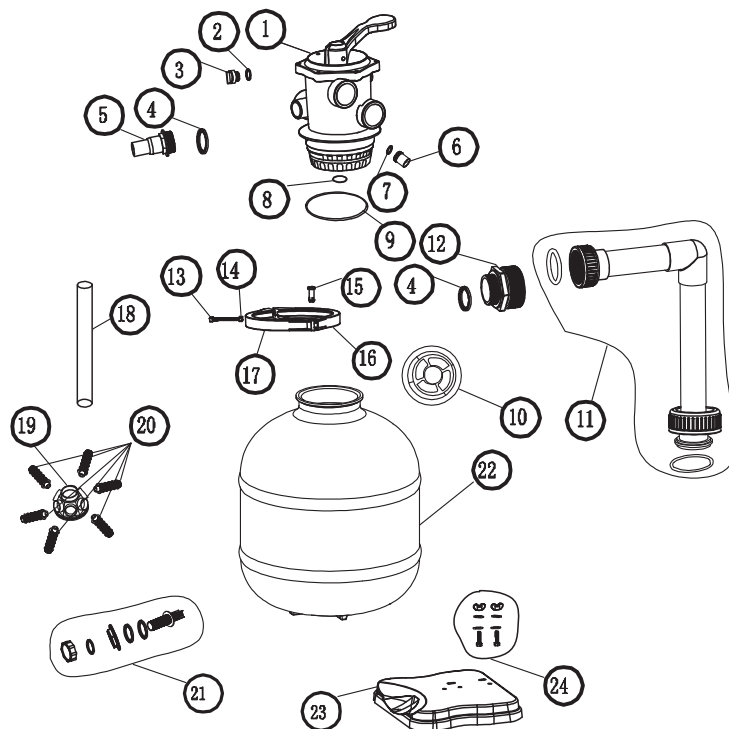
Key	Part Name	Manf. No.	B.W. No.	For Model#
1	LID	HTA001	NEP4185	All
	TRANSPARENT COVER	HTA002	NEP4186	All
2	O-RING	HTA003	NEP4187	All
3	BASKET	HTA004	NEP4188	All
4	CLAMP	HTA005	NEP4189	All
5	STRAINER	HTA006	NEP4190	All
6	DRAIN PLUG	HTA007	NEP4191	All
	DRAIN PLUG O-RING	HTA008	NEP4192	All
7	O-RING	HTA009	NEP4193	All
8	SCREW	HTA010	NEP4194	All
9	PUMP COVER	HTA011	NEP4195	All
10	O-RING	HTA012	NEP4196	All
11	IMPELLER OF ITEM#HTA 075/HTA2SP 075	HTA014	NEP4198	NE4513 & NE4515
	IMPELLER OF ITEM#HTA 100/HTA2SP 100	HTA015	NEP4199	NE4514 & NE4516
	IMPELLER OF ITEM#HTA 150/HTA2SP 150	HTA016	NEP4200	NEP4208
12	PUMP HOUSING	HTA017	NEP4201	All
13	MOTOR OF ITEM#HTA 075	HTA019	NEP4203	NE4513
	MOTOR OF ITEM#HTA 100	HTA020	NEP4204	NE4514
	MOTOR OF ITEM#HTA2SP 075	HTA022	NEP4206	NE4515
	MOTOR OF ITEM#HTA2SP 100	HTA023	NEP4207	NE4516
	MOTOR OF ITEM#HTA2SP 150	HTA024	NEP4208	NEP4208



## U. Pumps for use with In Ground Pools

### FX PRO 22" NE4502, NE4503& NE4504 WITH FLOWXTREME PUMP PARTS BREAKDOWN

Key	Part Name	Qty	Manf.No.	B.W.No.	For Model#
1	7-WAY VALVE	1	3001	NEP4060	NE4500-4504
2	O-Ring	1	3002	NEP4061	NE4500-4504
3	CAP	1	3003	NEP4062	NE4500-4504
4	VALVE CONNECTOR GASKET	3	3004	NEP4063	NE4500-4504
5	VALVE CONNECTOR 1	2	3005	NEP4064	NE4500-4504
6	TRANSPARANCY CAP	1	3006	NEP4065	NE4500-4504
7	GASKET	1	3007	NEP4066	NE4500-4504
8	VALVE GASKET	1	3008	NEP4067	NE4500-4504
9	VALVE BIG O-RING	1	30095	NEP4092	NE4500-4504
10	SAND FUNNEL	1	3010	NEP4068	NE4500-4504
11	CONNECTOR PIPE KIT	1	30116H	NEP4126	NE4500-4504
12	VALVE CONNECTOR 2	1	3012H	NEP4127	NE4500-4504
13	SCREW (BOLT)	1	3013	NEP4070	NE4500-4504
14	NUTS & WASHER	1	3014	NEP4071	NE4500-4504
15	CLAMP PIN	1	3015	NEP4072	NE4500-4504
16	RIGHT CLAMP	1	3016	NEP4073	NE4500-4504
17	LEFT CLAMP	1	3017	NEP4074	NE4500-4504
18	LONG PIPE 600	1	30186	NEP4097	NE4500-4504
19	DISTRIBUTOR	1	3019	NEP4076	NE4500-4504
20	LONG FILTER FINGER	6	30205	NEP4099	NE4500-4504
21	DRAIN VALVE	1	3021	NEP4077	NE4500-4504
22	22" BIG BLOW MOULDED		30226	NEP4102	NE4500-4504
23	BASE PLATE	1	3023	NEP4078	NE4500-4504
24	Pump Bolt Wing Nut PUMP MOUNTING HARDWARE	2	P00175	NEP4261	NE4500-4504
	Pump Bolt Flat Washer PUMP MOUNTING HARDWARE	2	P00176	NEP4262	NE4500-4504
	Pump Bolt Lock Washer PUMP MOUNTING HARDWARE	2	P00177	NEP4263	NE4500-4504
	Pump Bolt Nut PUMP MOUNTING HARDWARE	2	P00178	NEP4264	NE4500-4504



# FX PRO II NE4517,NE4518,NE4519,NE4520,NE4521,NE4522

## PUMP SERIES PARTS BREAKDOWN

Key	Part Name	Manf. No.	B.W. No.	For Model#
1	LID W/TRANSPARENT COVER	HTI001	NEP4209	All
2	O-RING	HTI002	NEP4210	All
3	BASKET	HTI003	NEP4211	All
4	STRAINER	HTI004	NEP4212	All
5	DRAIN PLUG	HTI005	NEP4213	All
	DRAIN PLUG O-RING	HTI006	NEP4214	All
6	O-RING	HTI007	NEP4215	All
7	DIVERSION SETS	HTI008	NEP4216	All
8	IMPELLER OF ITEM#HTI 075/HTI2SP 075	HTI009	NEP4217	NE4519
8	IMPELLER OF ITEM#HTI 100/HTI2SP 100	HTI010	NEP4218	NE4517 & NE4520
8	IMPELLER OF ITEM#HTI 150/HTI2SP 150	HTI011	NEP4219	NE4518 & NE4521
8	IMPELLER OF ITEM#HTI 200/HTI2SP 200	HTI012	NEP4220	NE4522
9	O-RING	HTI013	NEP4221	All
10	PUMP HOUSING	HTI014	NEP4222	All
11	SCREW	HTI015	NEP4223	All
12	MOTOR OF ITEM#HTI 100	HTI017	NEP4225	NE4517
12	MOTOR OF ITEM#HTI 150	HTI018	NEP4226	NE4518
12	MOTOR OF ITEM#HTI2SP 075	HTI020	NEP4228	NE4519
12	MOTOR OF ITEM#HTI2SP 100	HTI021	NEP4229	NE4520
12	MOTOR OF ITEM#HTI2SP 150	HTI022	NEP4230	NE4521
12	MOTOR OF ITEM#HTI2SP 200	HTI023	NEP4231	NE4522
13	CARRIER	HTI024	NEP4232	All

