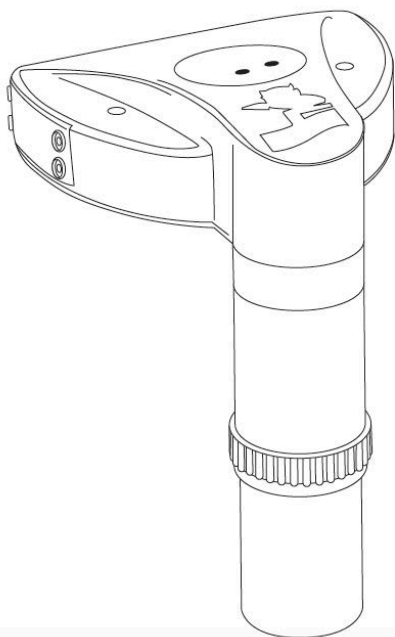




**INSTRUCTION MANUAL
MODE D'EMPLOI
MANUAL DE INSTRUCCIONES**

**POOL WATCH SWIMMING POOL ALARM
MODEL NUMBER
AC 50032**





**NSF - 50
ASTM F2208**


**Thank you for choosing Blue Torrent.
PLEASE READ BEFORE RETURNING THIS
PRODUCT FOR ANY REASON.
SAVE THIS MANUAL FOR FUTURE
REFERENCE.**

SAFETY GUIDELINES — DEFINITIONS

It is important for you to read and understand this manual. The information it contains relates to protecting YOUR SAFETY and PREVENTING PROBLEMS. The symbols below are used to help you recognize this information.

 **DANGER:** Indicates an imminently hazardous situation which, if not avoided, will result in death or serious injury.

 **WARNING:** Indicates a potentially hazardous situation which, if not avoided, could result in death or serious injury.

 **CAUTION:** Indicates a potentially hazardous situation which, if not avoided, may result in minor or moderate injury.

 (Used without word) indicates a safety-related message.

NOTICE: Used without the safety alert symbol indicates potentially hazardous situation which, if not avoided, may result in property damage.

IMPORTANT SAFETY INSTRUCTIONS

When using an electrical appliance, basic precautions should always be followed, including the following:

READ ALL INSTRUCTIONS BEFORE USING THIS POOL ALARM.

 **WARNING:**

Read all safety warnings

and all instructions. Failure to follow the warnings and instructions listed below may result in electric shock, fire and/or serious injury.

 **WARNING:**

To reduce the risk of fire, electrical shock, or injury:

- Do not allow to be used as a toy. Close attention is necessary when used by or near children.
- Use only as described in this manual.

- Battery fluid is corrosive and may be toxic. It may be harmful or fatal if swallowed. Avoid all contact with this substance.
- Keep batteries out of reach of children.
- Immediately remove old, weak, or worn out batteries from your device. Recycle or dispose of old, weak, or worn batteries in accordance with local, regional, or national law or regulations.
- Never dispose of batteries in fire, as they may leak and explode.
- Secure battery cover. Do not allow batteries to become wet.
- When inserting batteries, follow the polarity markings.
- Replace all batteries at the same time. Do not mix new and old batteries.
- Never mix alkaline, standard (carbon-zinc), and rechargeable (nickel-cadmium) batteries.
- Remove batteries when alarm is not in use for an extended time.
- Do not put any object into openings.
- If appliance is not working as it should, has been dropped, damaged, or dropped into water, return it to a service center.
- Do not allow children to operate the alarm system.
- This appliance is intended for household use only and not for commercial or industrial use.

IMPORTANT SAFETY INSTRUCTIONS, CONTINUED.

Once reading these safety instructions, follow the manual step by step to ensure a quick, easy, and safe installation.

WARNING:

The AC 50032 is a pool alarm designed to detect intrusions into an unsupervised pool. It is not a lifesaving device. It should never replace the supervision of children by responsible adults.

WARNING:

To reduce risk of injury:

- Protect the pool with a barrier fence, a gate, a gate or door alarm, a pool cover, and any additional protections.
- Never leave children unattended near the pool.
- Keep the alarm in an area where it can be easily heard.
- Maintain a proper water level in your pool to ensure proper detection.
- Once installed, test the system on a weekly basis.
- Keep pool water clean and clear. Green or cloudy water caused by improper maintenance can conceal individuals who have fallen into the pool.
- Monitor children in proximity of the pool closely.
- Increase supervision if more people or children are in the pool.
- Under supervision, teach children to swim as soon as possible.

- Children who are unable to swim should always wear a life vest in the pool area.
- Learn life saving techniques, especially for small children.
- Do not leave toys or objects floating in an unattended pool. Toys or objects could be seen as an invitation for a child to enter an unattended pool.
- Prohibit running near the pool.
- Store pool chemicals in a secure location out of reach from children.
- Remove the unit if water temperature drops below 32° F/0° C.

WARNING:

The AC 50032 is not intended for negative edge or infinity-style pools.

DANGER:

At the sound of alarm, an immediate response is imperative. Drowning can occur in as little as three minutes.

DANGER:

Have an action in plan should the alarm sound. Keep a working phone within the pool area. Be prepared for an emergency.

POOL WATCH AC 50032 POOL ALARM FACTS

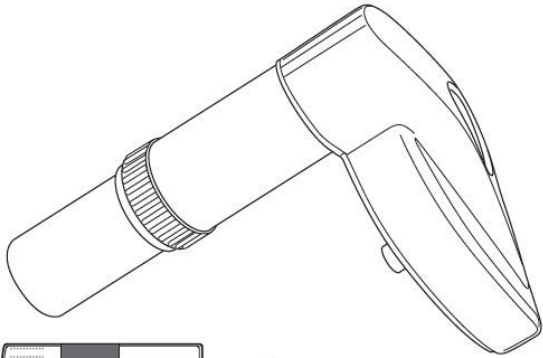
- This is a alarm designed to detect an intrusion into the swimming pool, especially by young children. Alarm should only be used for this application.
- This alarm has been engineered to circumvent false alarms caused by wind, rain, floating objects, or automatic cleaners.
- Loaded with patented features and the result of years of research and development, this alarm when used properly is designed to provide an efficient and trouble-free solution to pool security.

CONTENTS:

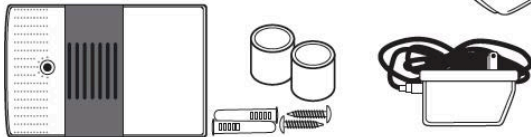
- A. Main Alarm Body
- B. Remote Siren
- C. AC Adapter for Remote Siren
- D. Mounting Screws for Main Alarm

NOT INCLUDED: 6 Long Life Alkaline D Cell 1.5V Batteries and 1 Long Life Alkaline 9V Battery

Begin installation by carefully unpacking box. If any parts are missing, contact products@asiaconnectllc.com for replacements.



**NSF - 50
ASTM F2208**



USES HIGH TECH SENORS FOR ELEVATED SAFETY.

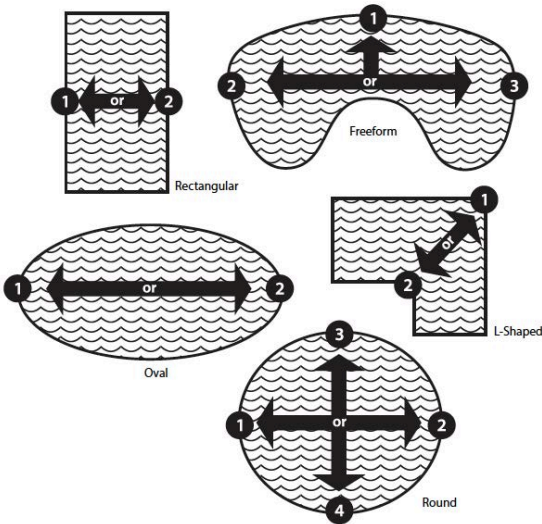
Alarm must have working batteries. Test unit weekly.

REQUIRED TOOLS:

1. Pencil
2. Phillips head screwdriver
3. 1/4" drill bit
4. Electric drill
5. Adjustable wrench
6. Masking tape

WHERE TO INSTALL ALARM

To ensure alarm performs at its optimal capability, choose closest pool type from diagram below and use the corresponding mounting points for alarm installation.



For a Rectangular Pool: the AC 50032 should be installed at **location 1** for pools up to 32' x 16' or 9.6 meters x 4.8 meters. A second AC 50032 should be installed at **location 2** for larger pools.

For a Freeform Pool: the AC 50032 should be installed at **location 1** for pool size is up to 26' or 8 meters. For larger pools, a second alarm is required, and AC 50032 alarms should be installed at **location 2** and **location 3**.

For an Oval Pool: the AC 50032 should be installed at **location 1** for pools up to 24' or 8 meters. For larger pools, a second alarm is required, and AC 50032 alarms should be installed at **location 1** and **location 2**.

For an L-Shaped Pool: the AC 50032 should be installed at **location 1** for pools up to 17'. For larger pools, a second alarm will be needed at **location 2**.

For a Round Pool: the AC 50032 should be installed in **any of the 4 locations** for pools up to 24'. For larger pools, a second alarm will be needed.

INSTALLING THE ALARM

STEP 1: Test fit alarm in location determined above. As shown in **Figure 1**, the alarm sensor pipe throat should be in the water and the mounting area level and flat. The alarm base should easily snap into the bottom of the main alarm body and allow the sensor throat to extend directly into the pool at a 90° angle.

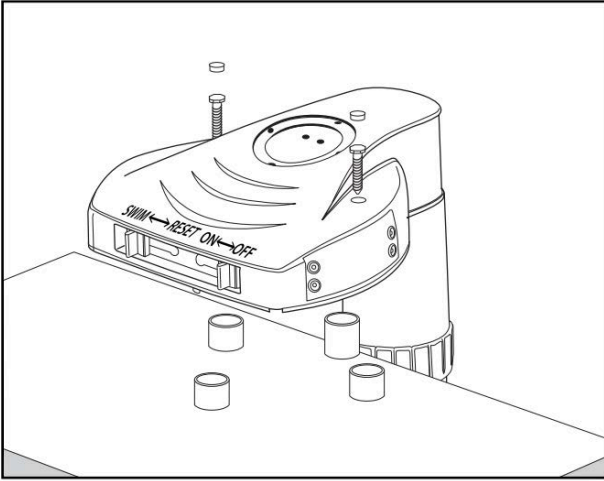


Figure 1

STEP 2: Use pencil to mark two holes to be drilled into deck to secure alarm, aligning marks with holes in left and right of the alarm body head. Refer to **Figure 2** for appropriate spacing.

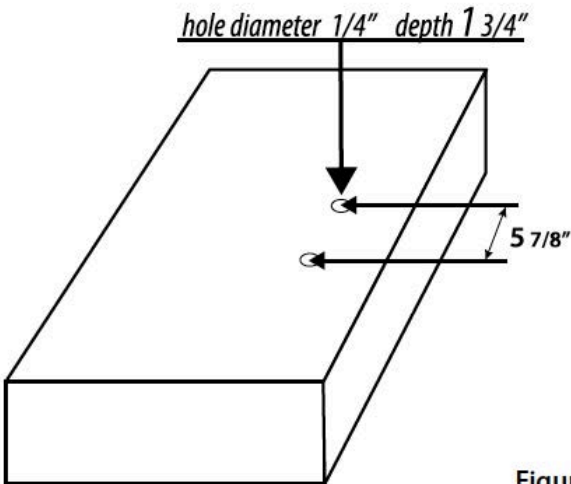


Figure 2

STEP 3: Drill holes into hole markings with a 1/4" masonry drill. Refer to **Figure 2** to drill holes 1.75" deep. To achieve the right depth, measure 1.75" inches from the end of the drill bit, and mark point with masking tape. Stop drilling when deck is level with tape. Remove dust and debris from hole. Remove nuts and washers from mounting anchors, and insert mounting anchors into previously drilled holes. To mount into wood deck or metal rail, use screws provided.

⚠ WARNING:

Use power tools only as recommended by manufacturer. Do not install alarm or use power tools when swimmers are in the pool. Remove all power tools from pool area as soon as possible.

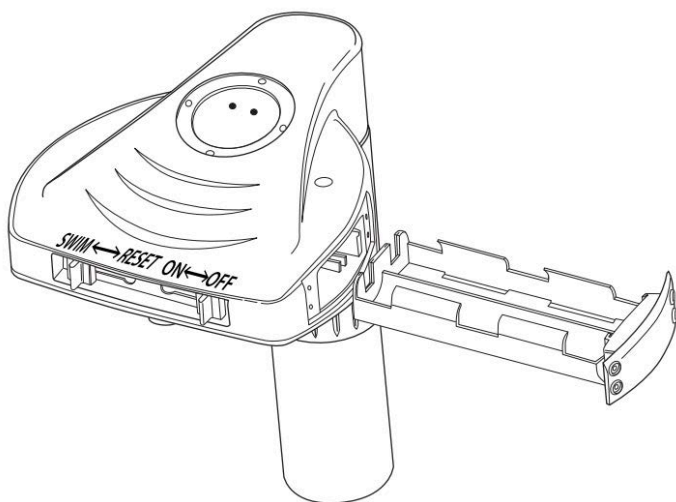
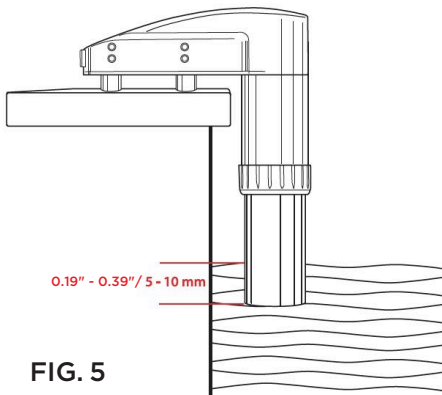
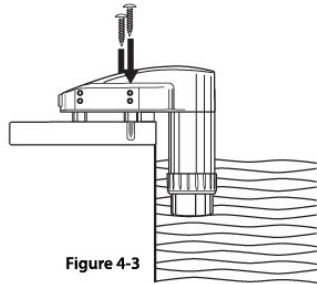
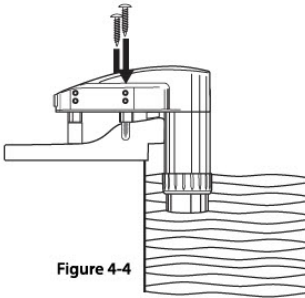
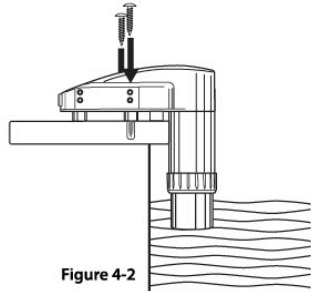
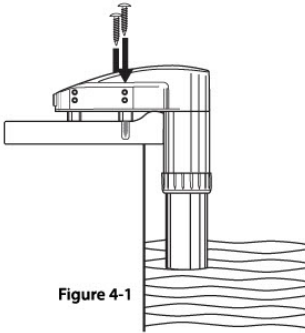


Figure 3

STEP 4: To install/replace batteries, remove all four screws from the battery cover. Refer to **Figure 3**. Do not lose screws. When the 6 long life alkaline D cell 1.5V batteries are installed, the alarm will loudly beep twice. Next, turn front switch to SWIM mode. The alarm will sound in one long burst to signify it is in swim mode. WHITE LED will flash on top of alarm head every 20 seconds to indicate that the alarm is on and can be handled for 3 minutes without siren sounding.

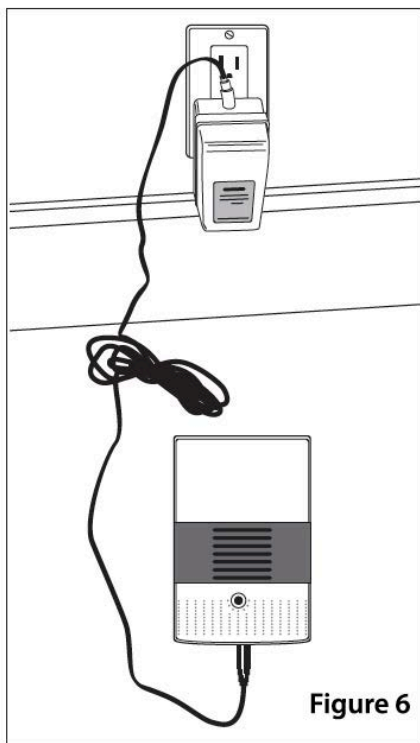
STEP 5: Screw the main alarm body into mounting anchors on pool edge.

STEP 6: Adjust and maintain pool water level. This step is imperative in order for the pool alarm sensor to perform properly. The alarm sensor throat should be no more shallow or deep than 0.19" to 0.39" in the water at all times. Never block or fill air hole located on the back of alarm sensor throat. See **Figures 4.1-4.4** for improper water level and **Figure 5** for proper water level.



STEP 7: Mount the Remote Siren no more than 100 linear feet from the alarm base unit in an area inside your home where it will be heard throughout the house in the event of alarm sounding.

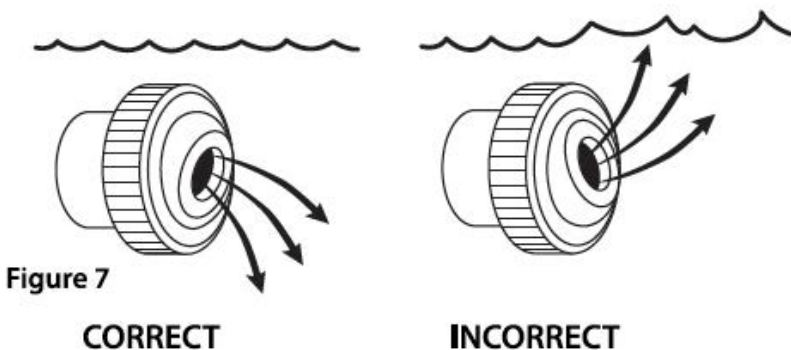
MOUNTING THE REMOTE SIREN: Remove the Phillips head screw from the back of the remote siren. Install 1 long life alkaline 9V battery and replace cover. Plug the AC adapter into the remote siren. Then place remote siren on flat surface or use a screw to mount it to wall near electrical socket. Plug AC adapter into electrical socket, using **Figure 6** for reference. To show function, the remote will give two short sirens and display a RED LED light. When siren receives a trigger signal from the main alarm unit, it will sound. Battery in remote siren unit is intended as backup in the case that main AC power should fail. Make sure main AC adapter is plugged in at all times. If battery in main alarm is low, remote siren will beep once each 8 seconds. It's imperative at that time to change battery for main alarm.



⚠ WARNING:

- Do not use with damaged cord or plug. If appliance is not working as it should, has been dropped, damaged, left outdoors or dropped into water, return it to a service center.
- Do not pull or carry by cord, use cord as a handle, close a door on cord, or pull cord around sharp edges or corners. Do not run appliance over cord. Keep cord away from heated surfaces.
- Do not unplug by pulling on cord. To unplug, grasp the plug, not the cord.
- Use only in a standard electrical outlet (120V/60Hz).

STEP 8: Turn the return jets built into inside pool walls down toward the bottom of the pool, using **Figure 7** as a guide. This will both help conserve the chemical consumption of your pool and allow the pool alarm to work efficiently. If water features such as waterfalls, automatic cleaners, or pump cycling cause false alarms, turn the water feature off when the pool is not in use. Contact the manufacturer with any additional questions.



UNDERSTANDING "FAR" MODE

To help reduce false alarms, the Pool Watch AC 50032 Alarm is equipped with "False Alarm Resistant" technology. When in FAR mode, the alarm monitors the water and detects outside interference from conditions such as wind and automatic cleaners. It then compensates for these factors without compromising alarm safety.

FAR mode is alternate to the alarm's default armed mode setting. After the GREEN LED light has been on for a constant 6 seconds, the alarm will beep for 1 second, and the LED will then flash every 2 seconds. After any 5 minute period without detecting movement, the alarm will automatically revert to normal armed mode.

The alarm can also be taken out of FAR mode by adjusting the switch from RESET to SWIM to RESET.

TESTING THE AC 50032 POOL ALARM

The unit **MUST** be tested on a weekly basis. To test the alarm, create a simple device (see **Figure 8** and **Figure 9**) that will stimulate the size and weight of a young child using the following:

- Duct tape
- Strong string (6 ft.)
- 1.5 liter water bottles (4 units)

INSTRUCTIONS:

1. Fill the 4 bottles with water.
2. Use the duct tape to strap all 4 bottles together.
3. Tie the string tightly to one of the bottles.
4. Drop the bottles into the pool from a height of 4.5 inches.
5. The alarm, if working, will sound.
6. Use the string to retrieve the bottles.

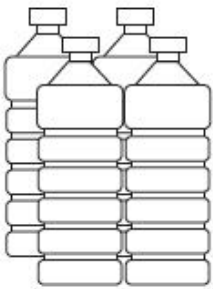
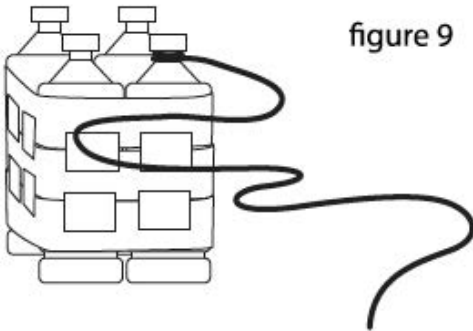


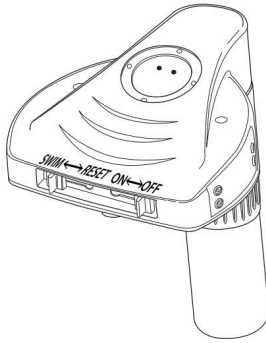
figure 8



figure 9



USING THE AC 50032 POOL ALARM



Low Battery Indicator

SWIM MODE:

The unit must be set to "SWIM" mode before swimmers enter the pool in order for the pool to be used without the alarm sounding. Once the switch at the front of the alarm head is moved to SWIM/ON, the alarm will emit a long beep. The LED in the transparent cover will flash WHITE until SWIM mode is turned off. When all swimmers exit the pool and the water becomes still for more than 3 minutes, the alarm will emit two beeps to announce it is again in active protection mode. The GREEN LED in the transparent cover will flash every 21 seconds. SWIM mode can also be turned off manually by moving the switch to the RESET/ON position.

RESETTING THE ALARM:

If the alarm is sounding, check the pool **first** for unsafe conditions. If the pool is clear of danger, push the switch button to the RESET position.

POWERING THE ALARM ON/OFF:

To shut off the pool alarm system, move the switch to OFF. To turn on the alarm, move the switch to ON. The system will emit one beep to indicate activation.

LOW BATTERY INDICATION:

When the alarm has low battery power, it will emit a chirp every 8 seconds to indicate that batteries must be immediately replaced. Refer to **Step 4** for battery replacement.

WINTERIZING THE ALARM:

When the pool is closed and covered for the winter, remove the main alarm body from the pool, remove the batteries from the main unit and remote siren, and store all parts indoors. The alarm should also be removed from the pool if the air temperature drops below 32° F. Freezing pool water will damage the alarm and freeze damage is not covered by warranty.

TROUBLESHOOTING GUIDE

PROBLEM	CAUSE	SOLUTION
Alarm beeps every few minutes or so.	Low batteries.	Replace all batteries with new ones.
Alarm is not sounding at all.	Dead batteries.	Replace all batteries with new ones.
Alarm is set off by high winds.	High winds.	Put alarm into SWIM mode until wind subsides and alarm resets. Meanwhile, closely monitor the pool area.
Alarm sounds when no one is in pool.	Loose alarm base and/or return jet fittings are pointed toward alarm.	Tighten alarm base and/or point return lines toward bottom of pool and away from alarm.
Remote siren not sounding when alarm triggered.	Remote siren out of range.	Move remote siren closer to the main alarm.

Changes or modifications not expressly approved by party responsible for compliance could void the user's authority to operate equipment.

ALARM INDICATOR GUIDE

1. **Batteries ON:** Two beeps and the GREEN LED flashes every 21 seconds.
2. **From ON to OFF:** The RED LED will flash every 20 seconds.
3. **From OFF to ON:** One beep and the GREEN LED will flash every 21 seconds.
4. **From RESET to SWIM:** One beep and the WHITE LED will flash every 20 seconds.
5. **From SWIM to RESET:** Two beeps and the GREEN LED will flash every 21 seconds.
6. **ALARM SOUNDING:** The RED LED will be continuously on. Alarm will last five minutes if not stopped manually.
7. **Self-REARMED:** After water surface is calm for 3 minutes, alarm will beep twice and GREEN LED will blink.
8. **FALSE ALARM RESISTANT MODE (FAR):** One beep after GREEN LED light flashes for a constant 6 seconds. Then GREEN LED will flash every 2 seconds.

3 YEAR LIMITED WARRANTY

Blue Torrent warranties this product to be free from defects in material or workmanship of a period of three (3) years following the date of purchase, provided that the product is used in a home environment. This limited warranty does not cover failures due to abuse, accidental damage or when repairs have been made or attempted by anyone other than Blue Torrent and its Authorized Service Centers.

A defective product meeting the warranty conditions set forth herein will be replaced or repaired at no charge in either of two ways:

The first, which will result in exchanges only, is to return the product to the retailer from whom it was purchased (provide that the store is a participating retailer). Returns should be made with the time period of the retailer's policy for exchanges. Proof of purchase may be required. Please check with the retailer for its specific return policy regarding time limits for returns or exchanges. The second option is to take or send the product (prepaid) to Pump Service Center for repair or replacement.

Pump Service Center
(516) 796-2425
1075 Hicksville Road
Seaford, NY 11783 U.S.A.
pumpservice@bluetorrentpoolproducts.com

This warranty does not apply to accessories. This warranty gives you specific legal rights and you may have other rights which vary from state to state. Should you have any questions, contact the manager of The pump service center listed above.

This product is not intended for commercial use, and accordingly, such commercial use of this product will void this warranty. All other guarantees, express or implied, are hereby disclaimed.

FREE WARNING LABEL REPLACEMENT

If your warning labels become illegible or are missing, call 1-800-544-6986 for a free replacement.

Manufactured by
Blue Torrent Pool Products
444 E 81 St St.
New York, NY 10028-5859

Blue Torrent and
Blue Torrent logos and product
names are trademarks of Blue
Torrent, used under license.
All rights reserved.