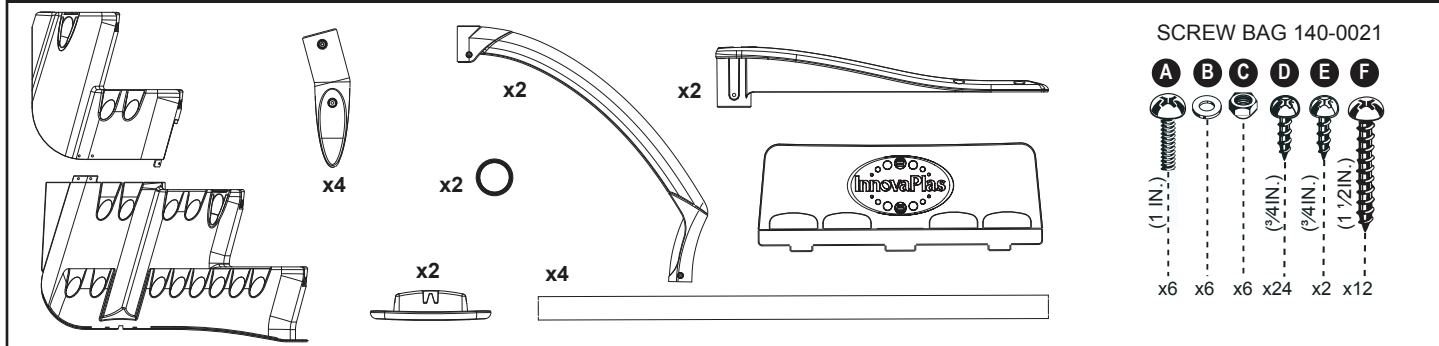


BILTMOR DECK 5005

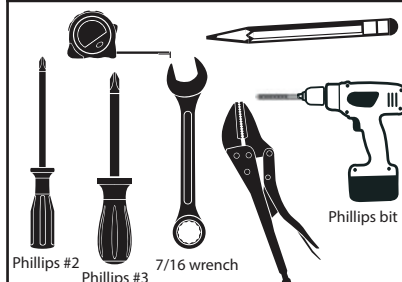
Contents of the Biltmor box SKU # 5005



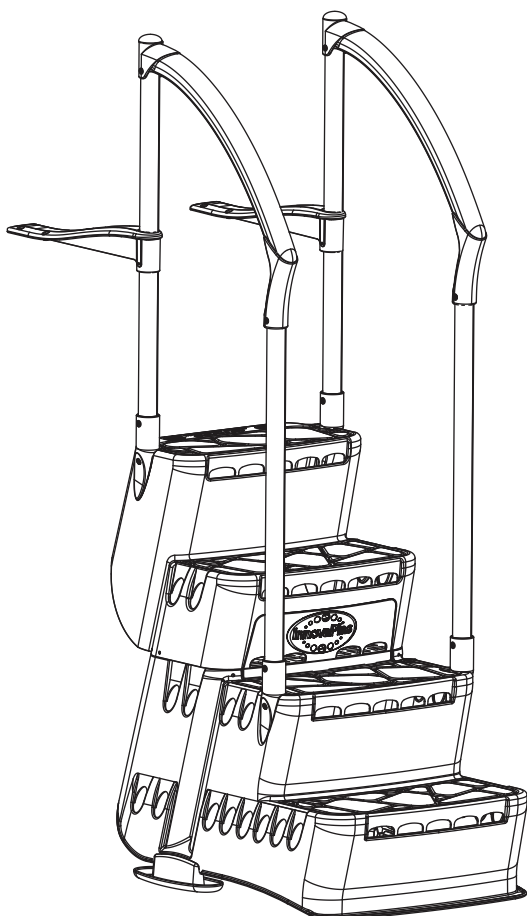
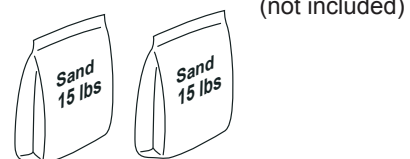
⚠ WARNING

- ▶ Install the step on a flat surface.
- ▶ Do not jump or dive from the step.
- ▶ Remove the step from water when temperatures drop below freezing.
- ▶ In winter, the step should be stored in an area protected from snow.
- ▶ Never lift the step by its handrails.
- ▶ Use BATTERY operated tools to avoid electric shock near water.
- ▶ Ensure no corrosive materials are added to the step or hardware kit.
- ▶ The step must be installed per manufacturer's instructions.
- ▶ File off all stripped or sharp edges before assembly to avoid injuries and liner damage.
- ▶ The manufacturer is not responsible for damages or injuries caused by improper installation or use of product.
- ▶ To ease the installation of handrails and bolts, use a screwdriver to line up the holes.
- ▶ **Maximum weight: 300 lbs / 136 kg.**

Required tools (not included)

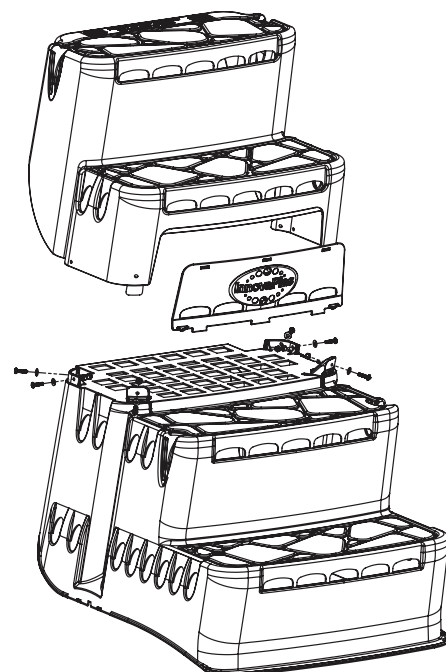
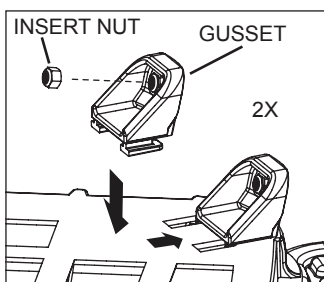
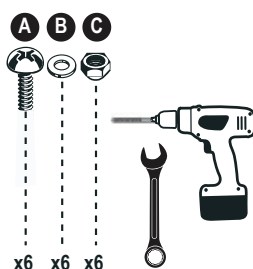


Sand (not included)



A

- 1) Insert the two gussets in the slots and slide them toward the corners.
- 2) Assemble the two main modules with the six screws, nuts and washers provided.
- 3) Snap the door between the top and bottom module within the slots provided.



MANUFACTURER WARRANTY

**1 year on pool step.
1 year on hardware.**



2257 route 139
Drummondville, Québec
J2A 2G2

WWW.INNOVAPLAS.COM

REV. 12/10/2019

PN:

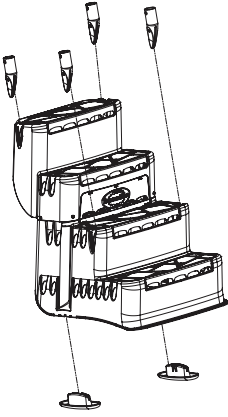
PG:1

BILTMOR DECK 5005

B

1) Snap the four post ends into the step, making sure that the cylindrical part is vertical and that the ends are snapped properly in their respective housings.

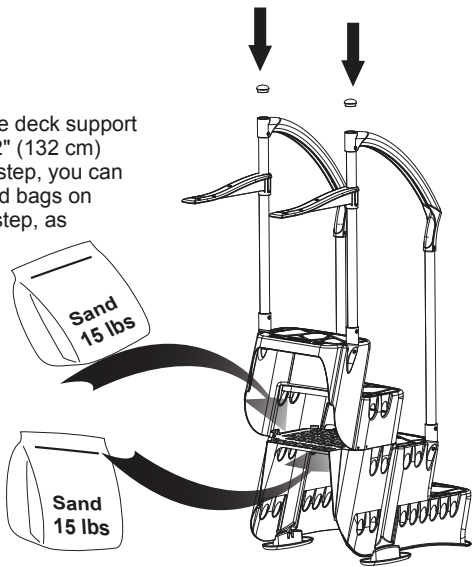
2) Snap the two feet to the bottom of the step.



D

1) For installs where the deck support is located more than 52" (132 cm) from the bottom of the step, you can add 2 15 lbs (7 kg) sand bags on either side of the third step, as shown.

2) Install the small post covers.



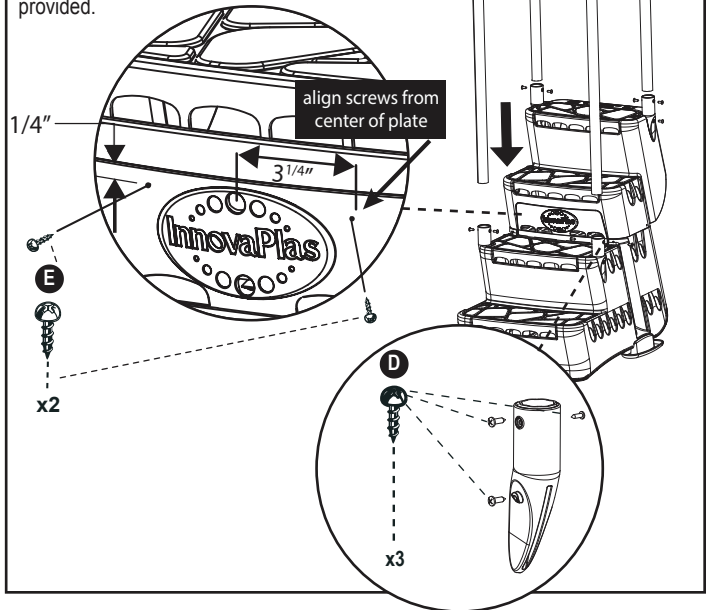
C

1) Insert the four posts into the post ends and secure them in place with the screws provided.

2) Insert the two deck supports over the rear posts.

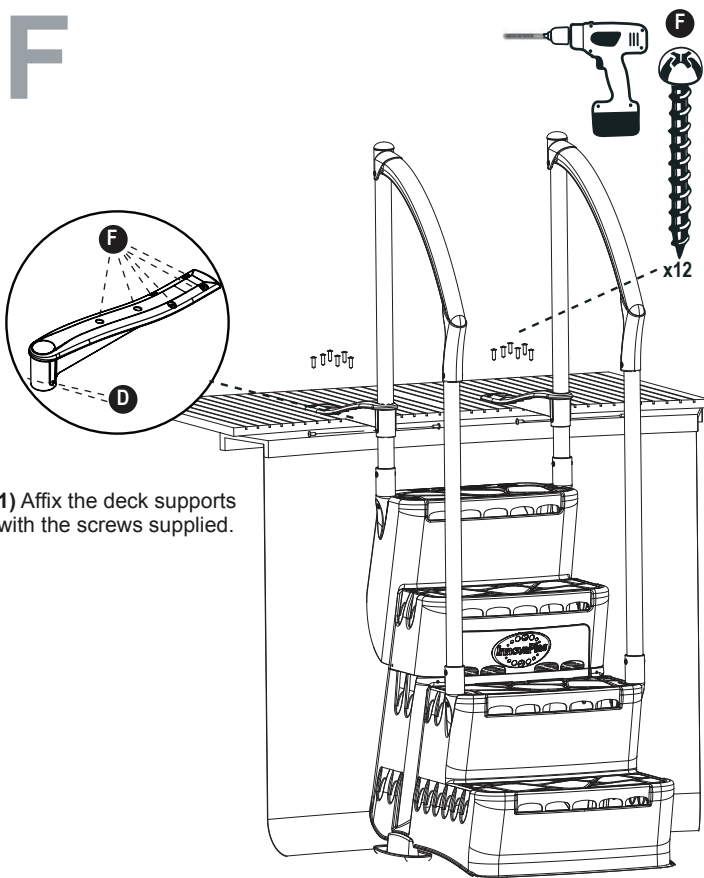
3) Insert the handrails on the four posts and secure in place.

4) Fasten the access panel with the screws provided.



F

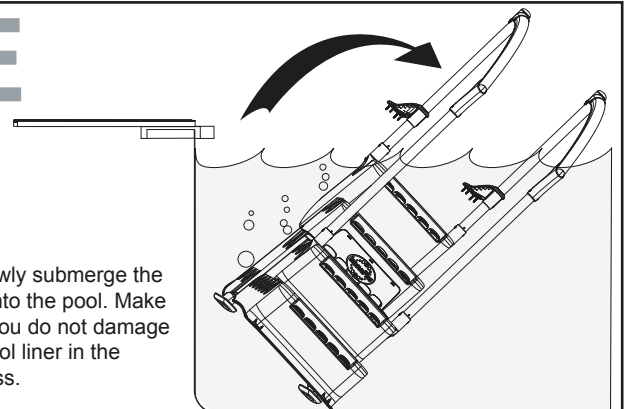
1) Affix the deck supports with the screws supplied.



E

1) Slowly submerge the step into the pool. Make sure you do not damage the pool liner in the process.

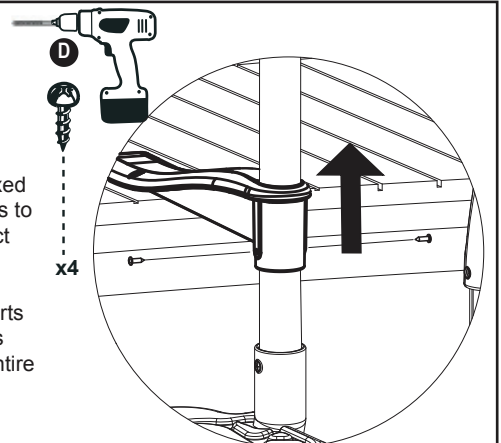
2) Angle the whole step so that it is entirely under water. Purge all the air from under the steps.



G

1) Pull the deck supports (already fixed to the deck) upwards to create a spring effect on the step.

2) Fasten the supports to the two rear posts while pushing the entire step downwards.



MANUFACTURER WARRANTY

1 year on pool step.
1 year on hardware.



2257 route 139
Drummondville, Québec
J2A 2G2

WWW.INNOVAPLAS.COM

REV. 12/10/2019

PN:

PG:2