

# ROCKY'S EAZY ROLLERS® INSTRUCTIONS - #4A PERMANENT

This box contains the following items:

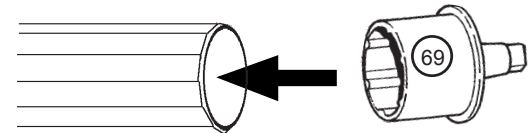
ITEM #	QTY.	DESCRIPTION	RE-ORDER #
1	12	Self-tapping Screw	501
5	2	5/16"x1" Bolt	505
7	4	3/8"x1" Bolt	507
15	4	Concrete Anchor	515
19	2	5/16" Washer	505
21	4	3/8" Washer	21
57	2	#4 A-Frame	531
61	1	White Knob	533
69	2	3" Hub	543
71	1	Small Handle	545
101	10	Male Grommet	549
103	10	Female Grommet	549
105	2	Plastic Bushing	555
107	2	Plastic Washer	555
201	1	22' Strapping	587

## Tools Required:

Reversible Drill
1/2" Concrete (masonry) Drill Bit
Hammer & Center Punch (or nail)
5/16" Hex Head Socket Bit
1/2" Wrench
9/16" Wrench

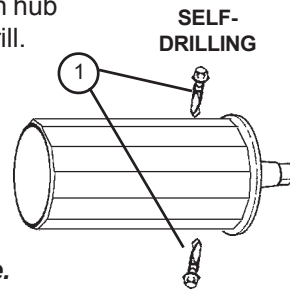
## 1 Assemble adjustable tubes according to "adjustable tube instructions" included in tubing box.

Insert a 3" hub (item # 69) into one end of the adjustable tubing.



SMALLER DIAMETER TUBE

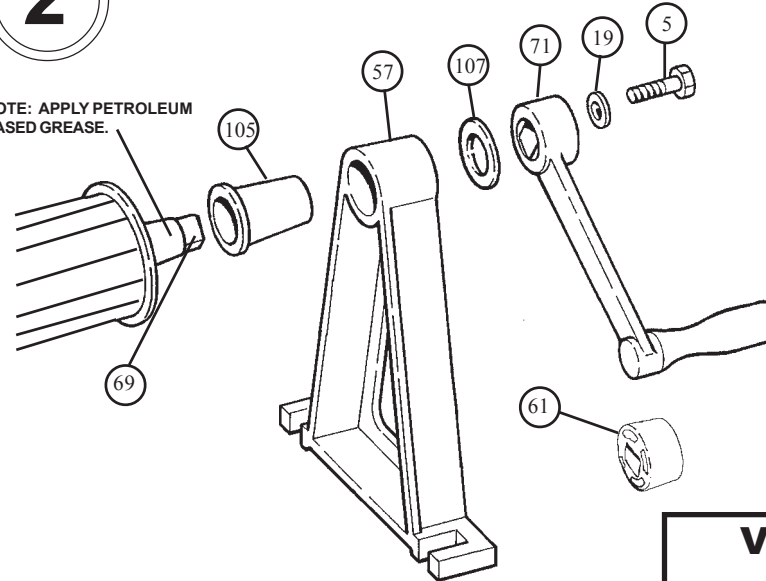
With 2 self-drill/tapping screws (item #1), attach hub to tube using electric drill. Apply pressure to ensure screw cuts into aluminum tube then cuts it's own thread. (No predrilling required)



Repeat with other side.

## 2

NOTE: APPLY PETROLEUM BASED GREASE.



Bolt the castors (item #209) to the A-frames (item #55), as shown in the diagram.

Assemble one end unit to the tube, using the small handle (item #71), as shown in the diagram.

Assemble the other end unit to the tube, using the white knob (item #61).

For smoother operation, apply petroleum based grease between the hub (item #65) and the black bushing (item #105). This should be done once a year.

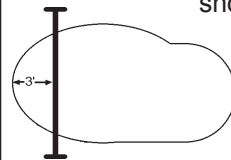
Position the assembled roller unit at the widest end of the pool.

**VERY IMPORTANT  
PREVENT DROWNING  
Attach Warning Label to one end of tube.**

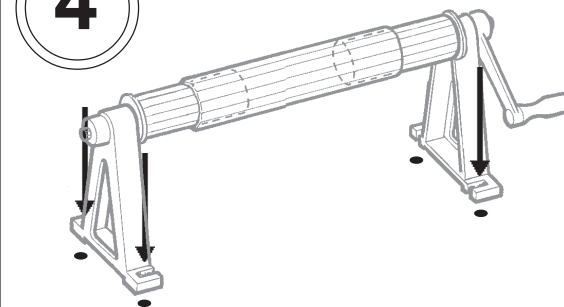
## 3

For regular shaped pools, align the outside edge of the tube parallel with the end of the pool.

For irregular shaped pools, the outside edge of the tube should be 3' inside from the end of the pool.



## 4

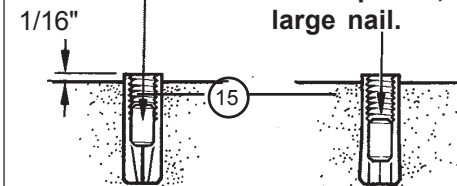


Using the two holes of the #4 A-frame (item #57) as guides, make two marks on deck for each #4 A-frame. With a 1/2" concrete drill bit, drill a 1 1/2" deep hole at each mark.

## 5

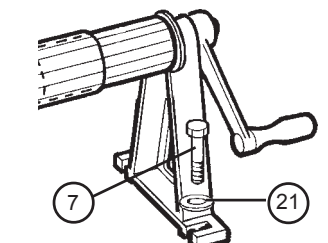
Drive the concrete anchor into the hole with a hammer. Leave the anchor raised 1/16". To set the concrete anchor tap it into the the hole with a hammer. Then using a center punch or large nail drive the slug down into the anchor forcing legs out into concrete.

Hit center slug with hammer & center punch, or large nail.

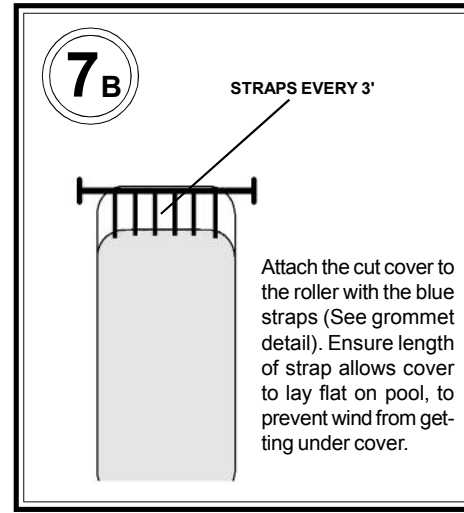
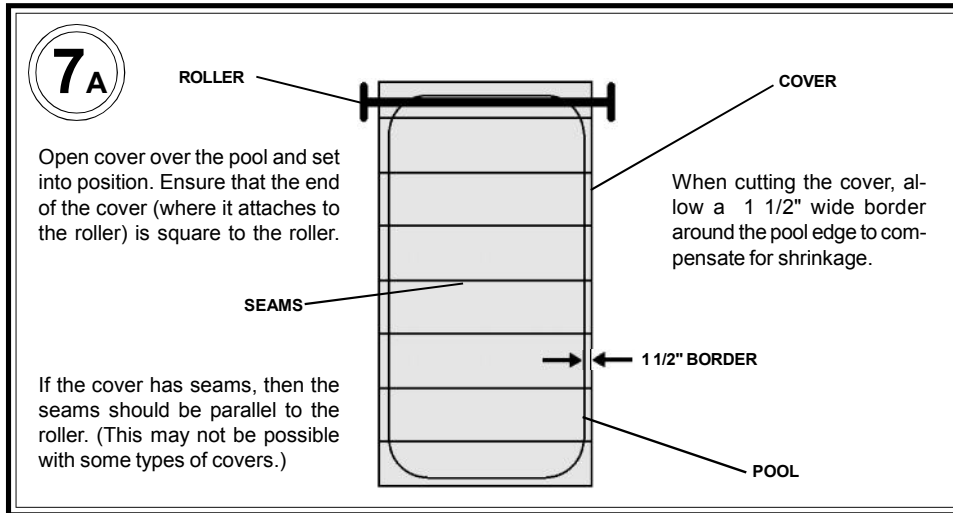


## 6

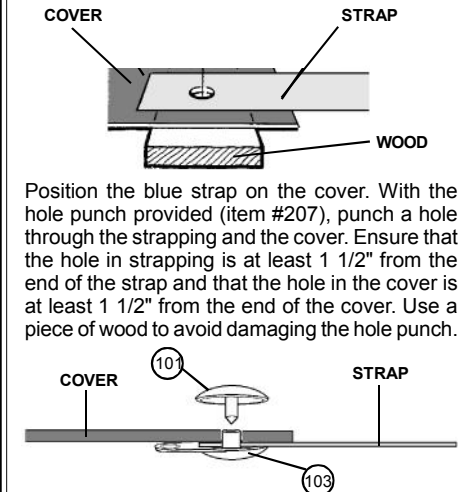
Insert the 3/8" bolts (item #7) through the 3/8" washers (item #21), through the #4 A-frames (item #57) and into the concrete anchors (item #15). Tighten the 3/8" bolts.



## FOR REGULAR SHAPED INGROUND POOLS



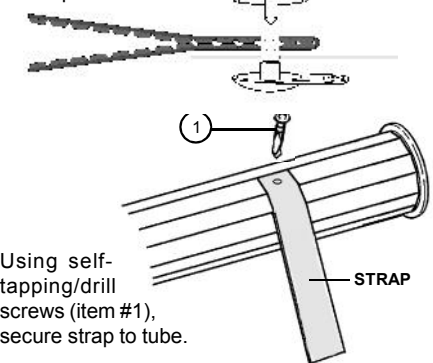
## GROMMET DETAIL



Position the blue strap on the cover. With the hole punch provided (item #207), punch a hole through the strapping and the cover. Ensure that the hole in strapping is at least 1 1/2" from the end of the strap and that the hole in the cover is at least 1 1/2" from the end of the cover. Use a piece of wood to avoid damaging the hole punch.

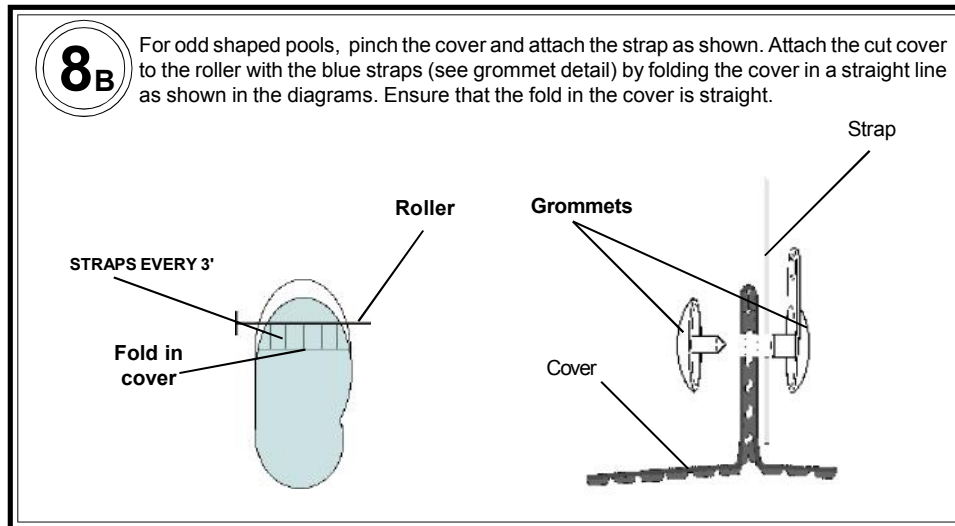
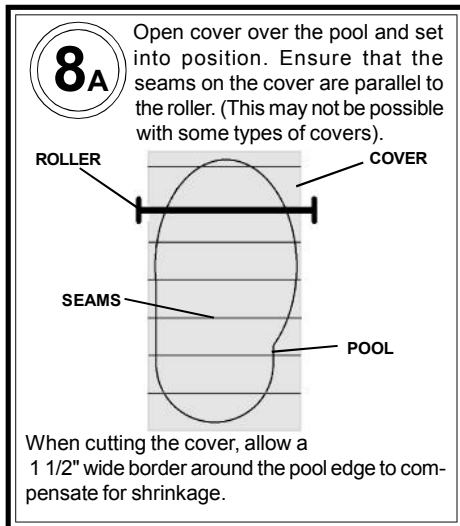
Insert female grommet (item #103) through hole in strapping and cover. Ensure that material is completely pushed down shaft. Insert male grommet (item #101) into female grommet. Once in place, hit gently with hammer until secure. (Caution - excess force will break grommet).

For odd shaped pools, pinch the cover and attach the strap as shown.



Using self-tapping/drill screws (item #1), secure strap to tube.

## FOR IRREGULAR, KIDNEY, OR ROUND SHAPED INGROUND POOLS



ROCKY'S REEL SYSTEMS INC.

Tel: (604) 985-0525

Fax: (604) 985-4325

North America: Tel: 1-800-663-8705 Fax: 1-800-811-9966

Web Site: [www.rockys.ca](http://www.rockys.ca)

E-Mail: [info@rockys.ca](mailto:info@rockys.ca)

# ROCKY'S AT-2 ADJUSTABLE TUBE INSTRUCTIONS (17' 10" - 24' 6")

This package contains the following:

ITEM	QTY.	DESCRIPTION	Re-Order #
23	8	Nylon Lock Nut (1/4")	23
27	8	Carriage Bolt (3 1/2")	27
361	2	Small Diameter Tube	361
363	1	Large Diameter Tube	363

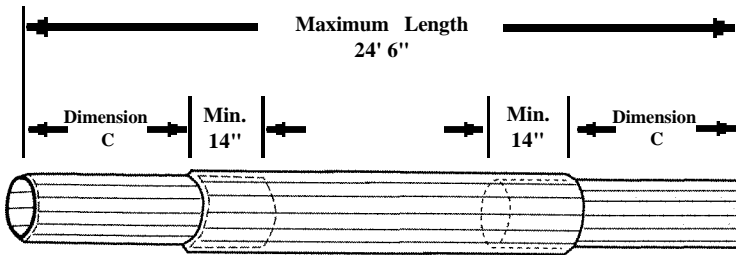
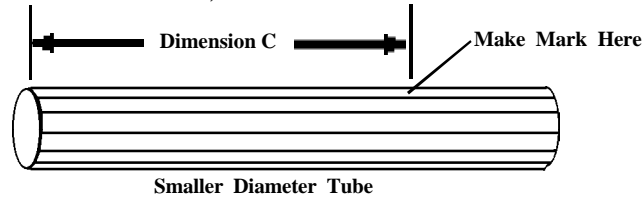
### Tools Required:

Drill
1/4" Drill Bit
3/8" Drill Bit
Hammer
7/16" Wrench

## ADJUSTABLE TUBE TABLE GUIDE

Column A Pool Width (approx.)	Column B Total Tube Length (approx.)	Column C Dimension C (approx.)
16' 10"	17' 10"	53.4"
17'	18'	54.5"
17' 6"	18' 6"	57.5"
18'	19'	60.5"
18' 6"	19' 6"	63.5"
19'	20'	66.5"
19' 6"	20' 6"	69.5"
20'	21'	72.5"
20' 6"	21' 6"	75.5"
21'	22'	78.5"
21' 6"	22' 6"	81.5"
22'	23'	84.5"
22' 6"	23' 6"	87.5"
23'	24'	90.5"
23' 6"	24' 6"	93.5"

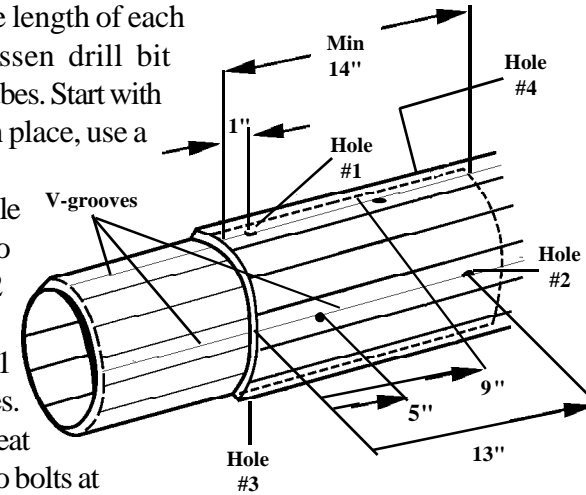
**1** For mounting on pool deck, measure the width of your pool from one inside edge to the other inside edge. On the "ADJUSTABLE TUBE TABLE GUIDE", locate your pool width in column A. Note the corresponding value of **Dimension C** in column C. Now, measure and mark **Dimension C** on both smaller diameter tubes as shown.



Insert smaller diameter tubes, into large diameter tube, up to the **Dimension C** mark, as shown. The total length of the tubes should be approximately equal to the corresponding value in column B.

See example on reverse.

**2** Note the 4 V-grooves running the length of each tube. They are designed to lessen drill bit movement while drilling holes in tubes. Start with one end of the tube first. Holding the tubes in place, use a 1/4" drill bit to drill hole #1 in the V-groove. To prevent tubes from moving while drilling hole #2, loosely insert a carriage bolt (item #27) into hole #1. Rotate tube 90 degrees. Drill hole #2 in V-groove, as per drawing. Remove carriage bolt (item #27) from hole #1 and insert it into hole #2. Rotate tube 90 degrees. Drill hole #3 in V-groove, as per drawing. Repeat these steps and drill hole for the remaining two bolts at 5" and 9" from edge of outer tube. Remove carriage bolt (item #27) from hole #2 and insert it into hole #3. Rotate tube 90 degrees. Drill hole #4 in V-groove, as per drawing.



**3**

Carriage bolt (item #27)

Square section

Hole #1

Counter bore 3/8" hole

Hole #4

Hole #2

Hole #3

The square section, below the head of the carriage bolt (item #27), is designed to prevent the bolt from spinning when the bolt is tightened. Therefore, holes #1 and #2 must be slightly larger. Using a 3/8" drill bit, counter bore holes #1 and #2, as shown.

**4**

Insert carriage bolt (item #27) through hole #1 and #2 as shown. Lightly tap the carriage bolt into place with a hammer. Install lock nut (item #23) (finger tight). (If bolts appear too short check step #3).

Tighten the lock nut (item #23) with wrench, being careful not to overtighten and strip the threads. Repeat procedure for other end of tube.

27

23

EXAMPLE: Pool width = 22' 6"

AT-2

Total Length 23' 6"

Dimension 87.5"

Dimension 87.5"

Pool Width 22' 6"

### GROMMET DETAIL

COVER

STRAP

WOOD

207

Position the blue strap on the cover. With the hole punch provided (item #207), punch a hole through the strapping and the cover. Ensure that the hole in strapping is at least 1 1/2" from the end of the strap and that the hole in the cover is at least 1 1/2" from the end of the cover. Use a piece of wood to avoid damaging the hole punch.

COVER

STRAP

101

103

Insert female grommet (item #103) through hole in strapping and cover. Ensure that material is completely pushed down shaft. Insert male grommet (item #101) into female grommet. Once in place, hit gently with hammer until secure. (Caution - excess force will break grommet).

Using self-tapping/drill screws (item #1), secure strap to tube. Note: Do not overtighten self tapping screws.

1

STRAP