

# HAYWARD®

## Installation, Operation & Service Procedures Pool and Spa/Hot Tub Heaters

Models H150, H200, H250, H300, H350 & H400

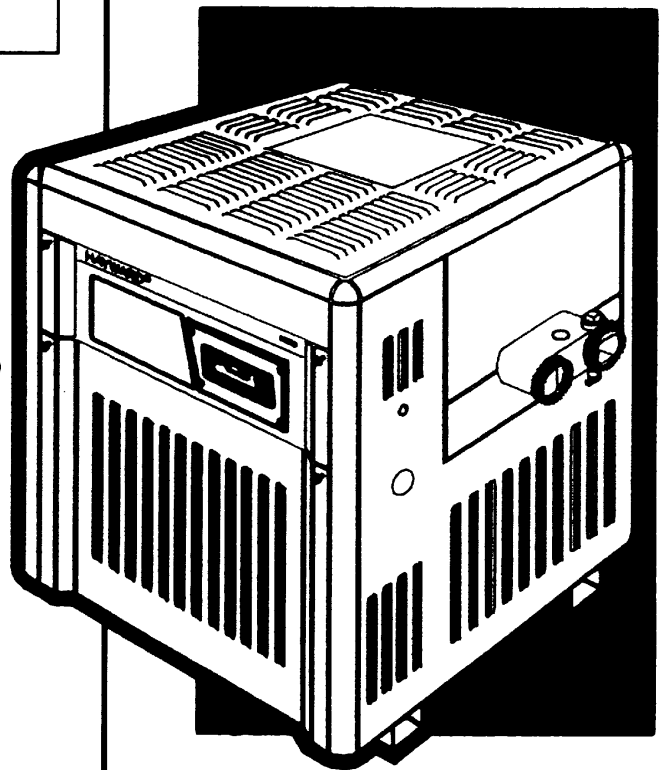
### FOR YOUR SAFETY

**WARNING:** If the information in these instructions is not followed exactly, a fire or explosion may result causing property damage, personal injury, or death.

— Do not store or use gasoline or other flammable vapors and liquids in the vicinity of this or any other appliance.

#### WHAT TO DO IF YOU SMELL GAS

- Do not try to light any appliance.
  - Do not touch any electrical switch; do not use any phone in your building.
  - Immediately call your gas supplier from a neighbor's phone. Follow the gas supplier's instructions.
  - If you cannot reach your gas supplier, call the fire department.
- Installation and service must be performed by a qualified installer, service agency or the gas supplier.



# Contents:

|              |  |    |
|--------------|--|----|
| SECTION I.   | <b>GENERAL INFORMATION</b> . . . . .                             | 3  |
|              | Introduction . . . . .   | 3  |
|              | Hayward Heaters . . . . .  | 3  |
|              | Warranty . . . . .   | 3  |
| SECTION II.  | <b>HEATER SIZING</b> . . . . .                                   | 4  |
|              | Selecting The Correct Size Heater . . . . .                      | 4  |
|              | For A Swimming Pool . . . . .                                    | 4  |
|              | For A Spa Or Hot Tub . . . . .                                   | 4  |
| SECTION III. | <b>INSTALLATION</b> . . . . .                                    | 5  |
|              | Equipment Inspection . . . . .                                   | 5  |
|              | Conformance With Codes . . . . .                                 | 5  |
|              | Sea Level/High Altitude Installation . . . . .                   | 5  |
|              | Location Of Heater . . . . .                                     | 5  |
|              | Flooring . . . . .   | 5  |
|              | Outdoor/Indoor Vents . . . . .                                   | 6  |
|              | Outdoor Heater - High Wind Conditions . . . . .                  | 6  |
|              | Reversible Water Connections . . . . .                           | 7  |
|              | Outdoor Installation And Venting . . . . .                       | 8  |
|              | Indoor Installation And Venting . . . . .                        | 9  |
|              | Air Supply . . . . .   | 9  |
|              | Equipment Located In Confined Spaces . . . . .                   | 9  |
|              | Venting . . . . .  | 10 |
|              | Gas Supply And Piping . . . . .                                  | 11 |
|              | Gas Pipe Size . . . . .  | 11 |
|              | All Gas Installations . . . . .                                  | 12 |
|              | Water Piping . . . . .   | 12 |
|              | Installation Above Pool/Spa Surface . . . . .                    | 14 |
|              | Automatic Chlorinators And Chemical Feeders . . . . .            | 14 |
|              | Pressure Relief Valve . . . . .                                  | 14 |
|              | Millivolt system . . . . .                                       | 15 |
|              | Electronic Ignition System . . . . .                             | 15 |
|              | Remote Control Connection . . . . .                              | 17 |
| SECTION IV.  | <b>INSTALLER CHECK-OUT AND START-UP</b> . . . . .                | 19 |
|              | General . . . . .  | 19 |
|              | Gas Line Testing . . . . .                                       | 19 |
|              | Gas Pressure Test Procedure . . . . .                            | 19 |
|              | Installation Below Pool/Spa Surface . . . . .                    | 20 |
|              | Two Speed Pump . . . . .   | 20 |
| SECTION V.   | <b>CONSUMER OPERATION &amp; MAINTENANCE PROCEDURES</b> . . . . . | 21 |
|              | General . . . . .  | 21 |
|              | Pool/Spa Water Chemistry . . . . .                               | 21 |
|              | Using Chlorinators And Chemical Feeders . . . . .                | 21 |
|              | Facts About Water Chemistry . . . . .                            | 21 |
|              | Heater Operation . . . . .                                       | 21 |
|              | Lighting Instructions - Millivolt . . . . .                      | 22 |
|              | Operating Instructions - Electronic Ignition . . . . .           | 23 |
|              | Temperature Controls . . . . .                                   | 24 |
|              | Periodic Inspection . . . . .                                    | 24 |
|              | Winterization . . . . .  | 25 |
|              | Spring Start-up . . . . .  | 25 |
| SECTION VI.  | <b>QUALIFIED TECHNICIAN - MAINTENANCE/SERVICING</b> . . . . .    | 26 |
|              | General . . . . .  | 26 |
|              | Maintenance . . . . .  | 26 |
|              | Control Access . . . . .   | 26 |
|              | External Heat Exchanger Inspection And Cleaning . . . . .        | 26 |
|              | Heat Exchanger Removal . . . . .                                 | 27 |
|              | Combustion Chamber . . . . .                                     | 27 |
|              | Internal Heat Exchanger Inspection And Cleaning . . . . .        | 27 |
|              | Burner Inspection And Cleaning . . . . .                         | 28 |
|              | Burner Assembly Removal . . . . .                                | 28 |
|              | Burner Assembly Installation . . . . .                           | 28 |
|              | Gas Valve Replacement . . . . .                                  | 28 |
|              | Pilot Assembly Removal . . . . .                                 | 28 |
|              | Ignitor Assembly Removal . . . . .                               | 30 |
|              | Main Burner Orifices . . . . .                                   | 30 |
|              | Gas Conversion . . . . .   | 30 |
|              | Control Locations . . . . .                                      | 31 |
|              | Electrical Wiring . . . . .                                      | 31 |
|              | System Switch . . . . .  | 31 |
|              | Temperature Controls . . . . .                                   | 31 |
|              | High Limits . . . . .  | 31 |
|              | Temperature Limiter Switches . . . . .                           | 32 |
|              | Pressure Switch . . . . .  | 32 |
|              | By-pass Valve . . . . .  | 32 |
|              | Thermal Control Valve . . . . .                                  | 33 |
|              | Transformer . . . . .  | 34 |
|              | Thermistor . . . . .   | 34 |
| SECTION VII. | <b>TROUBLESHOOTING</b> . . . . .                                 | 34 |
|              | Troubleshooting Chart . . . . .                                  | 35 |
|              | Millivolt . . . . .  | 36 |
|              | Troubleshooting Chart - Electronic . . . . .                     | 38 |
|              | <b>PARTS LIST - MILLIVOLT</b> . . . . .                          | 40 |
|              | <b>PARTS ILLUSTRATION - MILLIVOLT</b> . . . . .                  | 41 |
|              | <b>PARTS LIST - ELECTRONIC IGNITION</b> . . . . .                | 43 |
|              | <b>PARTS ILLUSTRATION - ELECTRONIC IGNITION</b> . . . . .        | 44 |

# Section I. General Information

---

## Introduction:

This manual contains instructions for installation, operation, maintenance, troubleshooting and parts lists for the safe use of the Model H150, H200, H250, H300, H350 and H400 swimming pool/spa/hot tub heaters.

Hayward strongly recommends that the manual be read by the installer before installing the swimming pool/spa/hot tub heater. If after reviewing the manual, any questions still remain unanswered, contact the factory or local representative. Following heater installation, the installer should leave the manual with the consumer for future reference.

## Hayward heaters:

The H-Series gas-fired pool/spa heater is the result of nearly 50 years in the engineering and production of the finest in water heating equipment. The direct fired finned-tube design of the pool/spa heater is the most advanced in the industry, offering highly efficient, economical pool/spa heating and scale free operation. No effort has been spared in making the pool/spa heater the most rugged, highly dependable, easy-to-maintain pool/spa heater available.

The H-Series heaters are suitable only for heating of swimming pools, spas or hot tubs. These heaters should not be used as space heating boilers, general purpose water heaters or for heating salt water pools and fish ponds. When installed and operated in accordance with the manual's instructions, the H-Series heater will provide many years of trouble-free service and increased pool/spa enjoyment.

The H-Series pool/spa heaters are so similar in design that many operating controls and other components are interchangeable. For this reason, the procedures in this manual pertain to all six models unless otherwise noted.

## Limited warranty summary:

We warrant the H-Series pool/spa heater to be free from defects in materials and workmanship, and we will, within two years from date of installation for single family residential users and one year for all other users, for the original purchaser, repair or, at our option, replace without charge any defective part.

We further warrant that if the heat exchanger or exchanger headers (water-containing section) leak within two years from the date of such installation for single family residential users and one year for all other users, due to defects in materials and workmanship, we will provide a replacement part.

Under the terms of the special FireTile™ limited warranty, we will replace any FireTile™ components used in the combustion chamber of the pool/spa heater which fail from defects in workmanship and materials under normal use and service in a single family residential application for a period of five (5) years.

Cost of freight, installation, fuel, and service labor (after one year) is at user's expense. For full details of warranty agreement, see warranty certificate shipped with heater.

**▲CAUTION: If the pool/spa heater is damaged or destroyed by improper maintenance, excessive water hardness, incorrect water chemistry or freezing, it is not covered under the manufacturer's warranty.**

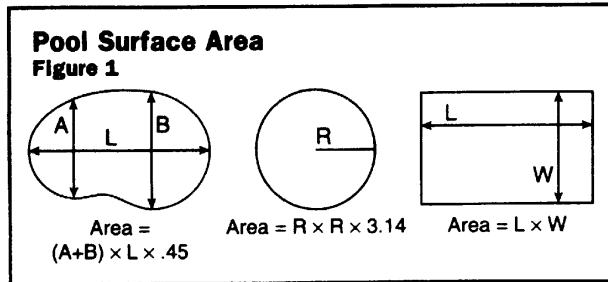
# Section II. Heater Sizing

## Selecting the correct size heater:

Factors influencing heater sizing include pool/spa size, average wind velocity, ambient temperature and desired increase in temperature over ambient. A pool/spa in a warm area with little or no wind will not require as large a heater as one in a cool, windy location. Detailed sizing information is provided below.

### For a swimming pool:

1. Determine pool's surface area in square feet. For indoor pool installations divide the pool's surface area by 3.



2. Determine desired pool water temperature (usually 78 - 82°F).
3. Determine average air temperature of coldest month of use.
4. The temperature rise is the difference between 2 & 3.

5. Locate in Figure 2 the surface area equal to or just greater than the pool's surface area and the temperature degree rise and select the appropriate heater model.

Figure 2 is based on 3½ MPH wind velocity and elevation of up to 2,000 feet above sea level.

**When not in use, keep pool covered to reduce heat loss, chemical usage and dirt load on the filtering system.**

### For a spa or hot tub:

Determine spa capacity in gallons (surface area × average depth × 7½).

The reference table lists the time required in minutes to raise the temperature of the spa/hot tub by 30°F. Locate in the table below the spa/hot tub size in gallons equal to or just greater than the spa/hot tub size in gallons. Select the desired time to raise the spa/hot tub temperature 30°F, read to the left and select the appropriate heater model.

This guide can be adjusted for other temperatures rises. For example, if a 15°F increase in temperature is desired, simply divide the time for 30°F rise by the ratio of 30/15 = 2.

**▲NOTE:** Heat losses and/or heat absorbed by spa walls (such as concrete) or other objects will add to the heat-up time.

Spa sizing is based on an insulated and covered spa. Always cover spa or hot tub when not in use to minimize heat loss and evaporation.

| Figure 2 - Recommended Heater Model |                                  |      |      |      |      |      |
|-------------------------------------|----------------------------------|------|------|------|------|------|
| Temp. Rise °F                       | 10°                              | 15°  | 20°  | 25°  | 30°  | 35°  |
| Model                               | Pool Surface Area In Square Feet |      |      |      |      |      |
| H150                                | 1385                             | 924  | 693  | 554  | 462  | 396  |
| H200                                | 1848                             | 1232 | 924  | 739  | 616  | 528  |
| H250                                | 2309                             | 1540 | 1155 | 924  | 770  | 660  |
| H300                                | 2771                             | 1848 | 1386 | 1109 | 924  | 792  |
| H350                                | 3233                             | 2156 | 1617 | 1293 | 1078 | 924  |
| H400                                | 3695                             | 2463 | 1848 | 1478 | 1232 | 1056 |

| Figure 3 - Recommended Heater Model               |                             |     |     |     |     |     |     |     |       |
|---|-----------------------------|-----|-----|-----|-----|-----|-----|-----|-------|
| Model   | Spa/Hot Tub Size in Gallons |     |     |     |     |     |     |     |       |
|   | 200                         | 300 | 400 | 500 | 600 | 700 | 800 | 900 | 1,000 |
| Time in Minutes to Raise Spa/Tub Temperature 30°F |                             |     |     |     |     |     |     |     |       |
| H400  | 9                           | 14  | 19  | 23  | 28  | 33  | 37  | 42  | 47    |
| H350  | 11                          | 16  | 21  | 27  | 32  | 37  | 43  | 48  | 54    |
| H300  | 12                          | 19  | 25  | 31  | 37  | 44  | 50  | 56  | 62    |
| H250  | 15                          | 22  | 30  | 37  | 45  | 52  | 60  | 67  | 75    |
| H200  | 19                          | 28  | 37  | 47  | 56  | 66  | 75  | 84  | 94    |
| H150  | 25                          | 37  | 50  | 62  | 75  | 87  | 100 | 112 | 125   |

# Section III. Installation

## Equipment inspection:

On receipt of the heater equipment, inspect the heater carton and optional DHI or HWS vent (if used) carton for damage. If any carton is damaged, note it when signing for it. Remove the equipment from the carton(s) and advise the carrier of any damages at once.

## Important notice:

The instructions herein are intended for the use of a qualified technician, specifically trained and experienced in the installation of this type of heating equipment. Some states or provinces require that installation and service people performing the installation be licensed. If this is the case in the state or province where heater is located the contractor must be properly licensed.

**▲WARNING: Failure to comply with the appliance and vent package installation instructions and service instructions in this manual may result in equipment damage, fire, asphyxiation, or carbon monoxide poisoning. Exposure to products of incomplete combustion (carbon monoxide) can cause cancer and birth defects or other reproductive harm.**

## Conformance with codes:

The heater shall be installed in accordance with all local and state codes. The heater installation and vent sizing, installation and termination shall conform with the National Fuel Gas Code ANSI Z223.1 (latest edition) and with the requirements of the authority having jurisdiction. Design Certification in the United States is in compliance with American National Standard Z21-56 (latest edition).

For Canadian installations, the heater is to be installed in accordance with standards CAN/CGA - B149.1 and B149.2 - INSTALLATION CODES FOR GAS-BURNING APPLIANCES AND EQUIPMENT and/or Local Codes, and, if applicable, Standard CSA C22.1 - CANADIAN ELECTRICAL CODE, Part 1.

## Sea level/high altitude installation:

The H-Series heaters may be installed up to 2000 feet of elevation above sea level. For elevations from 2000 to 4500 feet above sea level, heater shall be a high altitude model which has a suffix "H" in the heater model designation (Example: Model H400H1). For elevations above 4500 feet, consult customer service at Hayward.

## Location of heater:

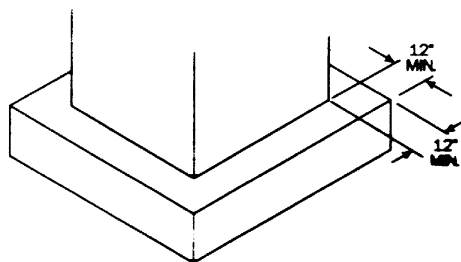
Locate the pool/spa heater in an area where leakage of heat exchanger or connections will not result in damage to the area adjacent to the heater or to the structure. When such locations cannot be avoided, it is recommended that a suitable drain pan, with drain outlet, be installed under the heater. The pan must not restrict air flow.

This heater must be installed at least five feet from the inside wall of a pool/spa unless separated from the pool/spa by a solid fence, wall or other permanent solid barrier. This heater must be installed also at least five feet from the wall of an above-ground pool.

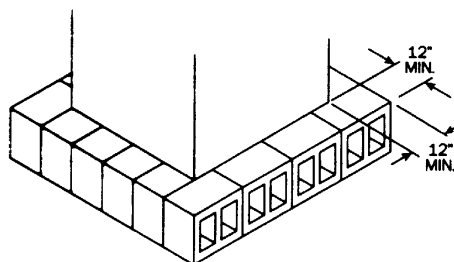
## Flooring:

The H-Series pool/spa heaters must be installed on a non-combustible floor or slab. Installation on other floors may be accomplished provided the floor under the appliance is protected with hollow masonry not less than 4 inches thick covered with sheet metal of not less than 24 gauge. Such masonry must be laid with ends unsealed and joints matched in such a way as to provide a free circulation of air from side to side through masonry. The masonry must extend a minimum of 12 inches beyond the heater to all sides. In all cases, floor protection is the responsibility of the installer and the installer must check to be certain that the floor is not exposed to excessive heat during extended periods of operation.

Figure 4



INSTALLATION ON CONCRETE SLAB



INSTALLATION ON BLOCKS

## Outdoor/Indoor\* vents:

The H-Series heaters may be installed outdoors when equipped with the integral vent (Figure 5) or the optional high wind HWS vent (Figure 6). For indoor installations, a DHI vent (Figure 7) must be used.

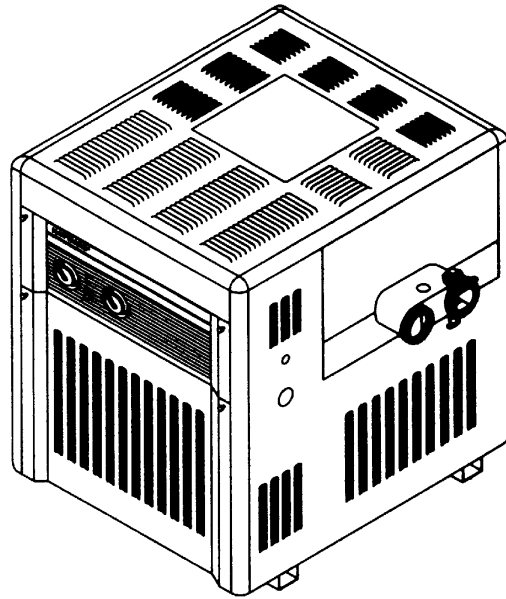
**▲ \*NOTE:** For Canadian indoor installations, these heaters can only be installed in an enclosure that is not normally occupied and does not directly communicate with occupied areas; i.e. outdoor shelter.

Check to be sure that the vent supplied with the heater is the correct one for the installation location.

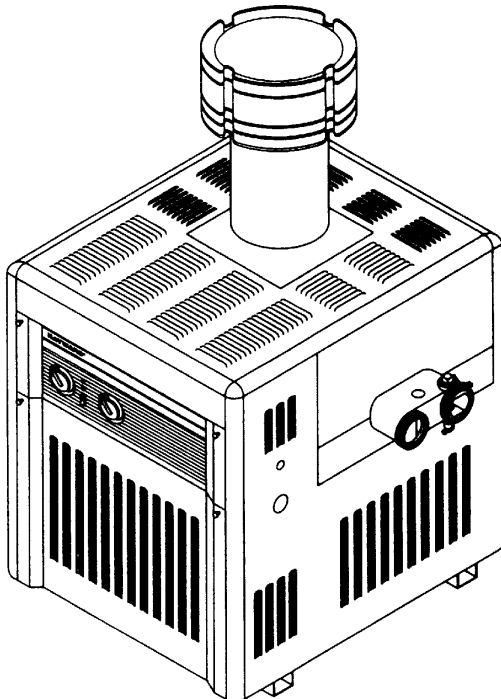
## Outdoor heater-high wind conditions:

In areas where high winds are a daily occurrence, or where severe downdrafts are present due to surrounding structures, it may be necessary to install the HWS high wind vent (Figure 6). Installation instructions are provided in the carton with the HWS vent.

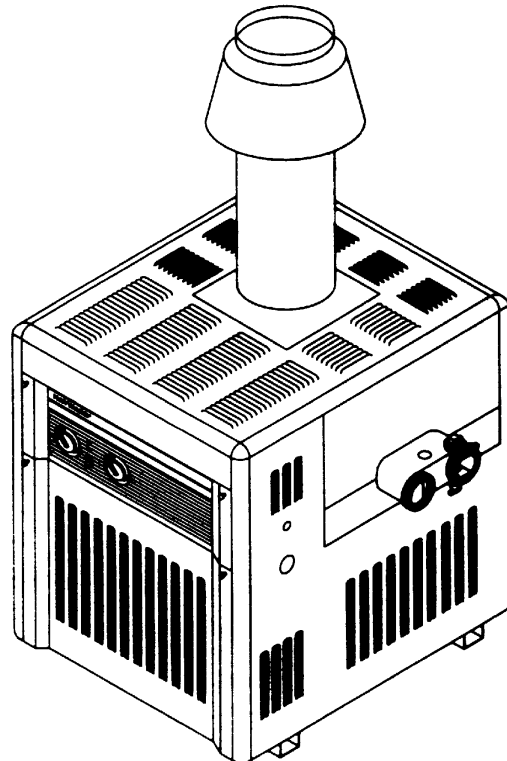
**Integral Vent**  
Figure 5



**High Wind Vent (HWS)**  
Figure 6



**Indoor Drafthood (DHI)**  
Figure 7



## Reversible water connections:

The H-Series heater is designed so that it can be installed with the water connections located on either the left or right side of the heater. Heaters are shipped from the factory with the water connections on the right side. To bring the water connections to the left side, follow the step-by-step instructions below and refer to the illustration in Figure 8. A trained service technician should perform these procedures before the heater is installed.

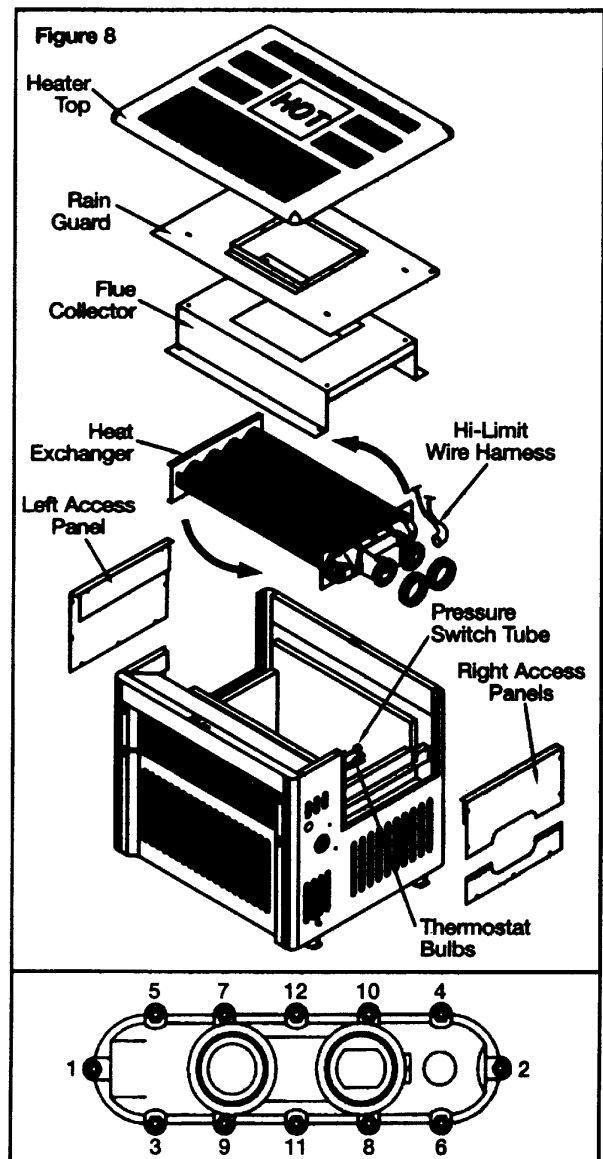
1. Lift up and remove heater integral vent.
2. Remove screws from left and right side access panels and remove the panels.
3. Remove screws from rear heat shield and remove heat shield.
4. Remove screws from top rain guard and remove rain guard.
5. Disconnect high limit wires from the main harness and/or terminal block. Pull the high limit wires through oval slot in the intermediate panel. Disconnect wires from the pressure switch. Reroute the disconnected main harness wires to opposite side of heater.
6. Remove the pressure switch tube and pull through oval slot in the intermediate panel.
7. **Millivolt Heaters Only** - Remove the thermostat bulb from the front header and reroute to opposite side of heater.

▲ **NOTE:** Using needlenose pliers to pull out copper strip makes bulb removal easier. Pull thermostat capillary tube and bulb through oval slots in the intermediate panel.

▲ **CAUTION:** Be careful not to crimp capillary tube as they could break from mishandling.

8. **Electronic Heaters Only** - Disconnect thermistor leads from control panel and pull through intermediate panel.
9. Remove the drain valve and brass plug from the front header and save for reinstallation.
10. Remove the four screws from the flue collector and remove flue collector from heater.
11. Remove 12 nuts retaining front header and carefully remove header. **CAUTION:** By-pass and thermal governor may become dislodged when removing front heater. They must be reinstalled properly prior to reinstallation of front header. **CAUTION:** Header O-rings may be reused if not permanently deformed. If installing new O-rings, Jack's 327 Lube may be liberally applied to O-rings to keep them in place during header installation.
12. Lift out heat exchanger and rotate it 180 degrees horizontally. **CAUTION: DO NOT FLIP IT OVER. THE HEAT EXCHANGER WILL BE DAMAGED IF INSTALLED INCORRECTLY. CAUTION:** Care must be taken not to damage top corners of combustion chamber panels.
13. Reinstall front header on heat exchanger ("TOP" marking on header should now be on the bottom).
14. Torque nuts from 5 to 7 ft.-lbs. in the sequence shown in Figure 8. Install drain previously removed into the bottom header, and install brass plug into the top. Use new sealant on the threads of these parts before reinstalling. Do over tighten.
15. Move the pressure switch tube over to the left side of the heater and route through hole in the intermediate panel. Insert tube in fitting and tighten the ferrule down with the nut.

16. Replace the flue collector and secure with the four screws. Make sure insulation strips on flue collector remain in place.
17. **Millivolt Heaters Only** - Carefully route the thermostat capillary tube and bulb to the heater left side and route bulb through the oval slot in the intermediate panel. Place thermostat bulb back in the bulbwell using the copper strip to hold the bulbs all the way into the bulbwell.
18. **Electronic Heaters Only** - Route thermistor leads through intermediate panel and plug into control panel.
19. Pull high limit wires through oval slot in the intermediate panel. Reattach the main harness wires to the limit switches wires. Reattach wires to pressure switch.
20. Replace the heater front door.
21. Replace the top rain guard and secure with screws removed in step 4.
22. Replace the rear heat shield and secure with screws removed in step 3.
23. Place access covers on the opposite sides and secure with screws removed in step 2.
24. Replace heater top.
25. Check for any possible leaks after initial filtration system start-up.



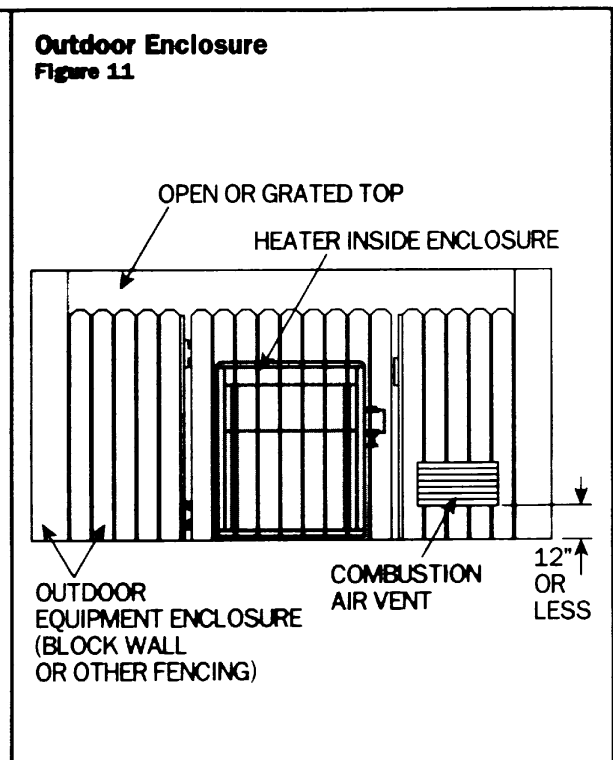
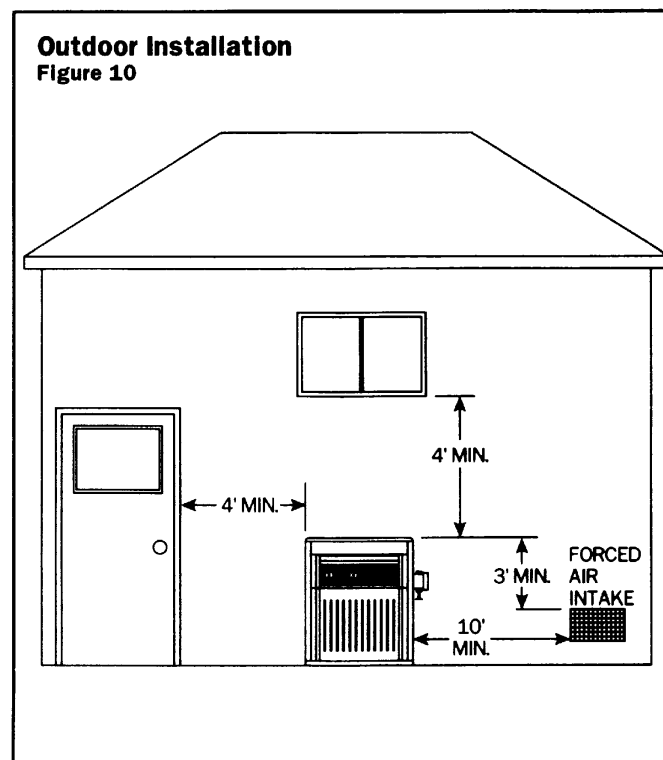
## Outdoor installation and venting:

The following installation and service clearances must be maintained from surfaces to provide adequate air flow to the heater.

| Outdoor Installations         |
|-------------------------------|
| Top - Open and unobstructed   |
| Front - Unobstructed          |
| Back - 6"                     |
| Non-combustible floor         |
| Right side (Water side) - 12" |
| Left side - 6"                |

Figure 9

- Outdoor models with integral vent or HWS vent are self-venting and do not require additional vent piping.
  - Do not install in a location where growing shrubs may in time obstruct a heater's combustion air and venting areas.
  - When locating an outdoor model consider that high winds can roll over or deflect off adjacent buildings, walls, and shrubbery to create a negative draft causing flame rollout and sooting, reducing combustion efficiency and damaging controls. Normally, placing the heater at least 2 feet from any wall will prevent this condition.
  - The venting system shall terminate at least 4 feet below, 4 feet horizontally from, or 1 foot above any door, window, or gravity air inlet into any building. The bottom of the vent terminal shall be located at least 12 inches above grade.
- Do not install this appliance under an overhang less than 3 feet from the top of the appliance. The area under the overhang must be open on three sides.
  - Do not install heater directly under a roof overhang edge that is not equipped with a rain gutter. Cascading rain water off the roof edge could otherwise cause pilot outage or other operating problems.
  - Do not install heater where water spray from ground sprinklers can contact heater. Sprinkler water could cause pilot outage or other operating problems.
  - Do not install within 3 feet of an air conditioning condensing unit. Blown air from a condensing unit adjacent to heater could cause pilot outage, poor combustion, or other operating problems.
  - Do not install under a deck.
  - Any enclosure around the heater must provide a combustion air vent commencing within 12 inches of the bottom of the enclosure. The vent opening shall have a minimum free area of 1 square inch per 4,000 BTU per hour of total input rating of all heaters in the enclosure. See Figure 11.





## Indoor installation and venting:

The following installation and service clearances must be maintained from combustible materials.

| Indoor Installations*         |
|-------------------------------|
| Top - 36"                     |
| Non-combustible floor         |
| Front - Unobstructed          |
| Vent - 6"                     |
| Alcove - 24"                  |
| Back - 6"                     |
| Right side (Water side) - 12" |
| Left side - 6"                |

\*Canada outdoor shelters

Figure 12

### Do not install in a closet!

For alcove installations, the drafthood (DHI) shall be installed so as to be in the same atmospheric pressure zone as the combustion air inlet to the pool heater.

## Air supply:

Indoor installations and outdoor shelters must be provided with adequate combustion and ventilation air vents to assure proper heater operation. These vents must be sized according to the requirements stated in A. and B. below and must never be obstructed when heater is in operation.

When air blowers are used in spa/hot tub installations, caution must be observed to insure sufficient combustion air is available to the gas heater for proper combustion. A separate blower air duct is recommended.

## Equipment located in confined spaces:

- A. **All Air Supply From Inside The Building:** The confined space shall be provided with two permanent openings communicating directly with an additional room(s) of sufficient volume so that the combined volume of all spaces meets the criteria for an unconfined space (a space whose volume is not less than 50 cubic feet per 1000 BTUH). The total input of all gas utilization equipment installed in the combined space shall be considered in making this determination. Each opening shall have a minimum free area of 1 square inch per 1,000 BTU per hour of the total input rating of all gas utilization equipment in the confined space, but not less than 100 square inches. See Figure 13. One opening shall be within 12 inches of the top and one within 12 inches of the bottom of the enclosure.
- B. **All Air Supply From Outdoors:** The confined space shall be provided with two permanent openings, one commencing within 12 inches of the top and one commencing within 12 inches of the bottom of the enclosure. The openings shall communicate directly, or by ducts, with the out-

doors or spaces (crawl or attic) that freely communicate with the outdoors.

1. When directly communicating with the outdoors, each opening shall have a minimum free area of 1 square inch per 4,000 BTU per hour of total input rating of all equipment in the enclosure. See Figure 14.
2. When communicating with the outdoors through vertical ducts, each opening shall have a minimum free area of 1 square inch per 4,000 BTU per hour of total input rating of all equipment in the enclosure. See Figure 14.
3. When communicating with the outdoors through horizontal ducts, each opening shall have a minimum free area of 1 square inch per 2,000 BTU per hour of total input rating of all equipment in the enclosure. See Figure 15.
4. When ducts are used, they shall be of the same cross-sectional area as the free area of the openings to which they connect. The minimum dimension of rectangular air ducts shall be not less than 3 inches.

**▲NOTE:** For more detailed methods of providing air for combustion and ventilation, refer to latest edition of the National Fuel Gas Code, ANSI Z223.1.

| 1 Square Inch Per 1000 BTU Per Hour |                |                 |
|-------------------------------------|----------------|-----------------|
| Input                               | Combustion Air | Ventilation Air |
| 150,000                             | 150 square in. | 150 square in.  |
| 200,000                             | 200 square in. | 200 square in.  |
| 250,000                             | 250 square in. | 250 square in.  |
| 300,000                             | 300 square in. | 300 square in.  |
| 350,000                             | 350 square in. | 350 square in.  |
| 400,000                             | 400 square in. | 400 square in.  |

Figure 13

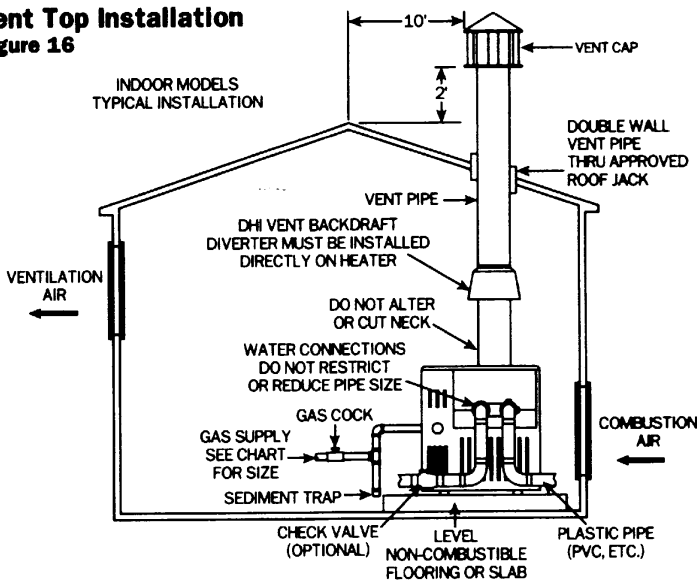
| 1 Square Inch Per 4000 BTU Per Hour |                 |                 |
|-------------------------------------|-----------------|-----------------|
| Input                               | Combustion Air  | Ventilation Air |
| 150,000                             | 37.5 square in. | 37.5 square in. |
| 200,000                             | 50 square in.   | 50 square in.   |
| 250,000                             | 62.5 square in. | 62.5 square in. |
| 300,000                             | 75 square in.   | 75 square in.   |
| 350,000                             | 87.5 square in. | 87.5 square in. |
| 400,000                             | 100 square in.  | 100 square in.  |

Figure 14

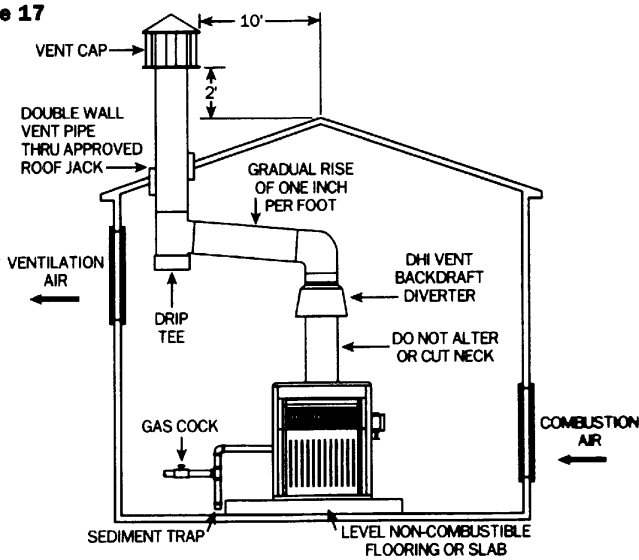
| 1 Square Inch Per 2000 BTU Per Hour |                |                 |
|-------------------------------------|----------------|-----------------|
| Input                               | Combustion Air | Ventilation Air |
| 150,000                             | 75 square in.  | 75 square in.   |
| 200,000                             | 100 square in. | 100 square in.  |
| 250,000                             | 125 square in. | 125 square in.  |
| 300,000                             | 150 square in. | 150 square in.  |
| 350,000                             | 175 square in. | 175 square in.  |
| 400,000                             | 200 square in. | 200 square in.  |

Figure 15

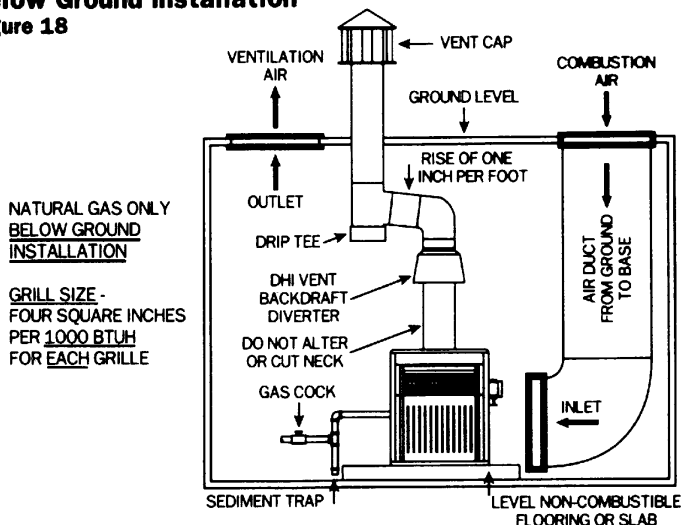
**Vent Top Installation**  
Figure 16



**Indoor Installation**  
Figure 17



**Below Ground Installation**  
Figure 18



## Venting:

Locate the pool/spa heater as close as practical to a chimney or gas vent. See Figures 16, 17 and 18. Do not alter back draft diverter (DHI) in any way. Install draft diverter (DHI) on top of heater.

Vent material should be of blued steel or galvanized steel with double wall construction when passing through walls or a ceiling. Vent size diameters for the H-Series heaters are as per Figure 19.

| Vent Size Diameters |               |
|---------------------|---------------|
| Model               | Vent Diameter |
| H150                | 6"            |
| H200                | 7"            |
| H250                | 7"            |
| H300                | 8"            |
| H350                | 9"            |
| H400                | 9"            |

Figure 19

The discharge opening of the vent must be at least three feet above the roof surface and at least two feet higher than any portion of a building within ten feet horizontally. The vent stack shall be at least five feet in height above the drafthood outlet. The vent cap location shall have a minimum clearance of 4 feet horizontally from electric meters, gas meters, regulators and relief openings.

The weight of the vent or chimney must not rest on the heater drafthood. Support must be provided in accordance with the applicable codes. The DHI drafthood must be easily removable for maintenance and inspection. The vent pipe must be supported to maintain proper clearances from combustibles.

Venting extending above the roof by more than five feet should be guyed or braced above or below the roof to protect the vent from wind and/or snow damage.

# Gas supply and piping:

Refer to the charts on Figure 20 for gas pipe sizing for low pressure natural gas, low pressure single stage propane gas and high pressure two stage propane gas systems.

## Gas pipe size:

Follow local gas codes for proper gas line material selection (copper, iron or plastic pipe etc.)

**LOW PRESSURE NATURAL GAS PIPE SIZING:** (Based upon gas pressure of 0.5 psig or less and a pressure drop of 0.5 inch W.C.)

| DISTANCE FROM METER TO INLET OF GAS VALVE | MODEL         | H150                 | H200                 | H250                 | H300                 | H350                 | H400                 |
|---|---------------|----------------------|----------------------|----------------------|----------------------|----------------------|----------------------|
|   | BTU           | 150,000              | 200,000              | 250,000              | 300,000              | 350,000              | 400,000              |
|   | LINE MATERIAL | IRON OR PLASTIC PIPE | IRON OR PLASTIC PIPE | IRON OR PLASTIC PIPE | IRON OR PLASTIC PIPE | IRON OR PLASTIC PIPE | IRON OR PLASTIC PIPE |
| 0 to 50 feet                              |               | 3/4"                 | 1"                   | 1"                   | 1 1/4"               | 1 1/4"               | 1 1/4"               |
| 50 to 100 feet                            |               | 1"                   | 1"                   | 1 1/4"               | 1 1/4"               | 1 1/4"               | 1 1/4"               |
| 100 to 200 feet                           |               | 1 1/4"               | 1 1/4"               | 1 1/4"               | 1 1/2"               | 1 1/2"               | 1 1/2"               |
| 200 to 300 feet                           |               | 1 1/4"               | 1 1/4"               | 1 1/2"               | 2"                   | 2"                   | 2"                   |

**LOW PRESSURE PROPANE GAS PIPE SIZING "SINGLE STAGE":** (Based upon gas pressure of 11 inches W.C. inlet pressure at a pressure drop of 0.5 inch W.C.)

| DISTANCE FROM OUTLET OF TANK REGULATOR TO INLET OF GAS VALVE | MODEL         | H150      |         | H200      |         | H250      |         | H300      |         | H350      |         | H400      |         |
|--|---------------|-----------|---------|-----------|---------|-----------|---------|-----------|---------|-----------|---------|-----------|---------|
|  | BTU           | 150,000   |         | 200,000   |         | 250,000   |         | 300,000   |         | 350,000   |         | 400,000   |         |
|  | LINE MATERIAL | IRON PIPE | TUB-ING | IRON PIPE | TUB-ING | IRON PIPE | TUB-ING | IRON PIPE | TUB-ING | IRON PIPE | TUB-ING | IRON PIPE | TUB-ING |
| 0 to 50 feet   |               | 3/4"      | 7/8"    | 3/4"      | 7/8"    | 1"        | 1 1/8"  | 1"        | 1 1/8"  | 1"        | 1 1/8"  | 1"        | —       |
| 50 to 100 feet   |               | 3/4"      | 1 1/8"  | 1"        | 1 1/8"  | 1"        | 1 1/8"  | 1"        | —       | 1 1/4"    | —       | 1 1/4"    | —       |
| 100 to 200 feet  |               | 1"        | 1 1/8"  | 1"        | —       | 1 1/4"    | —       | 1 1/4"    | —       | 1 1/4"    | —       | 1 1/4"    | —       |
| 200 to 300 feet  |               | 1"        | —       | 1 1/4"    | —       | 1 1/4"    | —       | 1 1/4"    | —       | 1 1/4"    | —       | 1 1/2"    | —       |

It is **VERY IMPORTANT**, when installing a propane heater on a two (2) stage regulation system, to follow the gas line sizing chart below—without exception.

**HIGH PRESSURE "TWO STAGE" SYSTEMS:**

**HIGH PRESSURE PROPANE GAS PIPE SIZING "FIRST STAGE":** (Based upon gas pressure of 10 psig inlet pressure at a pressure drop of 1 psi.)

| DISTANCE FROM OUTLET OF 1st STAGE REGULATOR TO INLET OF 2nd STAGE REGULATOR | MODEL         | H150      |         | H200      |         | H250      |         | H300      |         | H350      |         | H400      |         |
|---|---------------|-----------|---------|-----------|---------|-----------|---------|-----------|---------|-----------|---------|-----------|---------|
|   | BTU           | 150,000   |         | 200,000   |         | 250,000   |         | 300,000   |         | 350,000   |         | 400,000   |         |
|   | LINE MATERIAL | IRON PIPE | TUB-ING | IRON PIPE | TUB-ING | IRON PIPE | TUB-ING | IRON PIPE | TUB-ING | IRON PIPE | TUB-ING | IRON PIPE | TUB-ING |
| 0 to 50 feet  |               | 1/2"      | 1/2"    | 1/2"      | 1/2"    | 1/2"      | 1/2"    | 1/2"      | 1/2"    | 1/2"      | 1/2"    | 1/2"      | 1/2"    |
| 50 to 100 feet  |               | 1/2"      | 1/2"    | 1/2"      | 1/2"    | 1/2"      | 1/2"    | 1/2"      | 1/2"    | 1/2"      | 5/8"    | 1/2"      | 5/8"    |
| 100 to 150 feet   |               | 1/2"      | 1/2"    | 1/2"      | 1/2"    | 1/2"      | 1/2"    | 1/2"      | 5/8"    | 1/2"      | 5/8"    | 1/2"      | 5/8"    |

**LOW PRESSURE PROPANE GAS PIPE SIZING "SECOND STAGE":** (Based upon gas pressure of 11 inches W.C. inlet pressure at a pressure drop of 0.5 inch W.C.)

| DISTANCE FROM OUTLET OF 2nd STAGE REGULATOR TO INLET OF GAS VALVE | MODEL         | H150      |         | H200      |         | H250      |         | H300      |         | H350      |         | H400      |         |
|---|---------------|-----------|---------|-----------|---------|-----------|---------|-----------|---------|-----------|---------|-----------|---------|
|   | BTU           | 150,000   |         | 200,000   |         | 250,000   |         | 300,000   |         | 350,000   |         | 400,000   |         |
|   | LINE MATERIAL | IRON PIPE | TUB-ING | IRON PIPE | TUB-ING | IRON PIPE | TUB-ING | IRON PIPE | TUB-ING | IRON PIPE | TUB-ING | IRON PIPE | TUB-ING |
| 0 to 10 feet  |               | 1/2"      | 5/8"    | 1/2"      | 5/8"    | 1/2"      | 3/4"    | 3/4"      | 3/4"    | 3/4"      | 7/8"    | 3/4"      | 7/8"    |

Figure 20

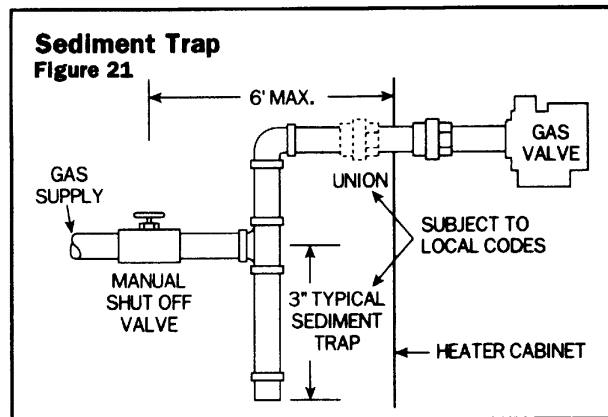
## All gas installations:

The H-Series heater is to be installed with a gas connection located on the left side (or right side, if necessary). Insert the pipe to the gas valve through the star-slit black plastic cap in the cabinet side. It is recommended that a ground-joint union be installed inside (or outside if space does not allow) the heater cabinet to facilitate servicing the burner assembly tray. See Figure 21.

An A.G.A. Certified main gas valve shutoff must be installed outside of cabinet and within 6 feet of the heater. Gas shutoff valve must have an I.D. large enough to supply the proper amount of gas volume to the heater.

**▲NOTE:** Apply joint compounds (pipe dope) sparingly and only to the male threads of pipe joints. Do not apply joint compound to the first two threads. Use joint compounds resistant to the action of liquefied petroleum gas. Do not over tighten the gas inlet pipe or damage may result. See Figure 21.

To prevent dirt and moisture from entering gas valve, a sediment trap should be installed in the gas line close to the valve. See Figure 21.



**Do not use flexible appliance connectors on any gas connections unless the connector is A.G.A. approved for outdoor installation, is marked with the BTUH capacity (which must be equal to or greater than the heater rated input), and the type of gas (Natural or LP) to be used.**

Reduction of the gas supply pipe or tubing to the inlet of the heater gas valve must be made at the valve only and must match the valve inlet size (3/4").

If more than one appliance is installed on the gas line, consult the local gas company for the proper gas line size.

Any questions concerning the installation of the proper gas line size can be directed to Hayward Technical Service. Telephone numbers can be found in Troubleshooting Guide Section.

### NATURAL GAS

The gas meter must have the capac-

ity to supply enough gas to the pool heater and any other gas appliances if they are on the same pipeline (Example: 225 meter = 225,000 BTUH). If doubt exists as to the meter size, consult local gas utility for assistance. Hayward **will not** be responsible for heaters that soot up due to improper meter and gas line sizing resulting in improper gas volume.

### PROPANE GAS

All propane gas tanks must be located outdoors and away from pool/spa structure and in accordance with the standard for storage and handling of propane gas, ANSI/NFPA 58 (latest edition) and applicable local codes. If propane gas tank is installed underground, the discharge of the regulator vent must be above the highest probable water level.

Propane tanks must be sufficient capacity to provide adequate vaporization for the full capacity of the equipment at the lowest expected temperatures. Consult a propane company expert for correct sizing.

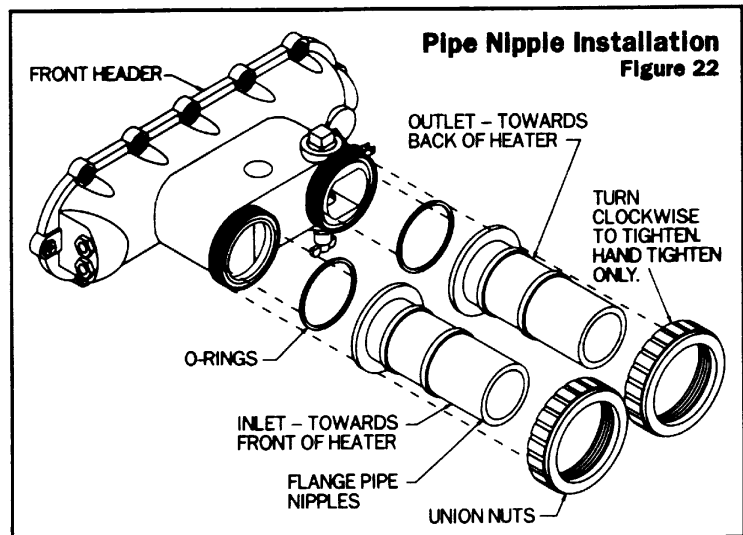
**▲NOTE:** Whenever a high pressure double regulation system is utilized for propane gas, consult a propane professional for accurate pipe and pressure sizing. Make sure that 1st and 2nd stage regulators are large enough to handle the BTUH input listed for the heater(s) being used.

Hayward **will not** be responsible for heaters that soot up due to improper gas line or Propane tank sizing resulting in improper gas volume.

## Water piping:

The H-Series heater is designed for use with pool and spa/hot tub water only, as furnished by municipal water distribution systems. The warranty does not cover heater use with mineral water, sea, salt or other non-potable waters.

Do not install any restriction in the water pipe between heater outlet and pool/spa with the exception of a three-way switching valve and an in-line chlorinator and associated check valve. Blockage of water flow from heater return to pool may result in



fire or explosion causing property damage, personal injury or loss of life.

**PLUMBING CONNECTIONS**

1. The H-Series heater is equipped with CPVC SCH-80 flanged pipe nipples, union nuts, neoprene O-rings for use with 2" pipe connections. Figure 22 shows the method for installing these parts on the front header.

**NOTE:** Assemble these parts to heater prior to plumbing. Tighten union nuts securely before gluing fittings to ends of pipe nipples.

2. The CPVC SCH-80 flanged pipe nipples must be installed on the heater inlet and outlet without modification. CPVC SCH-80 plastic has an ASTM rating of F441 and is NSF approved. The opposite ends of the pipe nipples should be attached to the filtration system as particular installation dictates.

3. Pipe, fittings, valves and any other element of the filter system may be made of plastic materials, if acceptable by the authority having jurisdiction. 1½" plastic pipe if used, will slide directly into the flanged pipe ends.

4. Heat sinks (heat traps), fireman switches and check valves are not necessary on the H-Series heaters. However, if there is any chance of "back-siphoning" of hot water when the pump stops running, it is suggested that a check valve be used on the heater inlet pipe.

5. The vari-flo by-pass that is built into the front header will maintain proper flow through the heat exchanger if the flow rate is within the range for the heater. See Figure 23.

**RECOMMENDED FLOW RATE IN GPM**

| Model       | Minimum | Maximum |
|-------------|---------|---------|
| H150 - H400 | 25      | 125     |

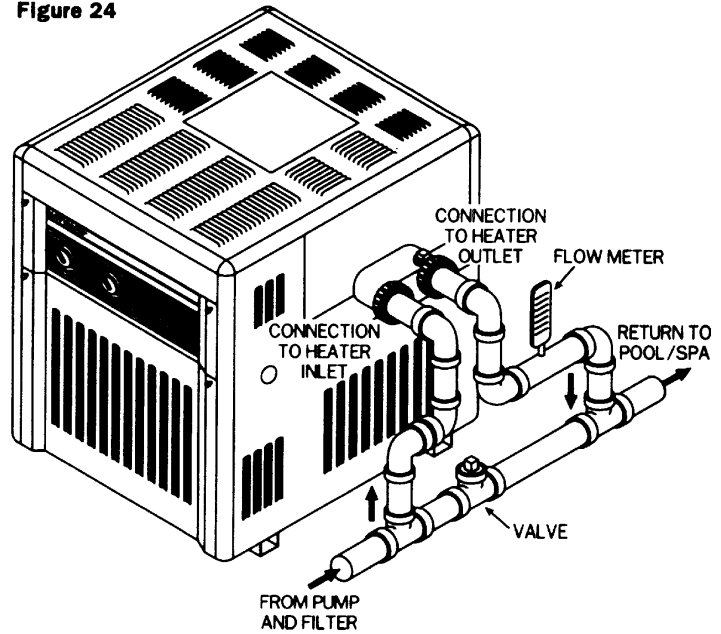
Figure 23

6. If the normal pump and filter system flow rate exceeds 125 gpm then a manual by-pass valve, as shown in Figure 24, must be installed as follows: Install a flow meter on the outlet line of the heater. Adjust the manual by-pass valve until the flow rate is within the rates required for the heater. Once the valve is set, the position should be noted and the valve handle removed to avoid further adjustment.

7. Figure 25 shows a typical pool piping diagram and layout for pool equipment. Figure 26 shows multiple heater usage for very large pools with and without an external by-pass (balancing) valve.

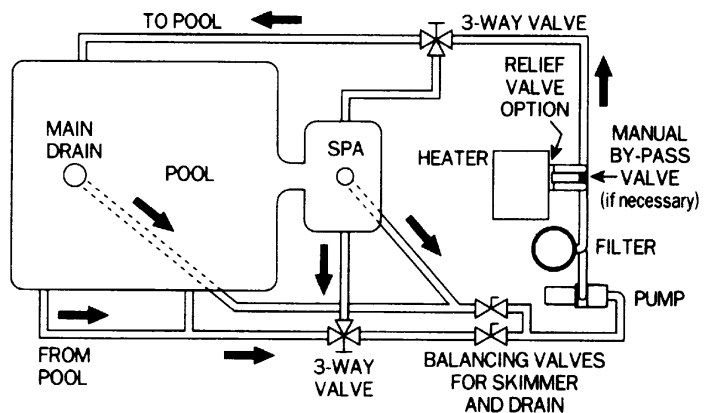
**Manual By-pass Valve**

Figure 24



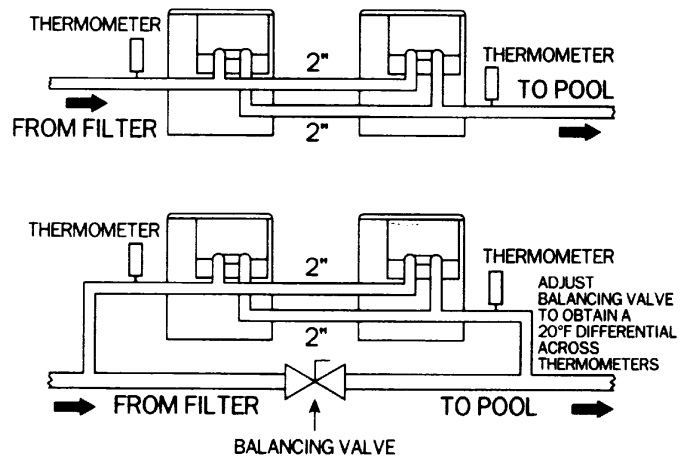
**Typical Plumbing To Pool**

Figure 25



**Multiple Heater Hookups**

Figure 26

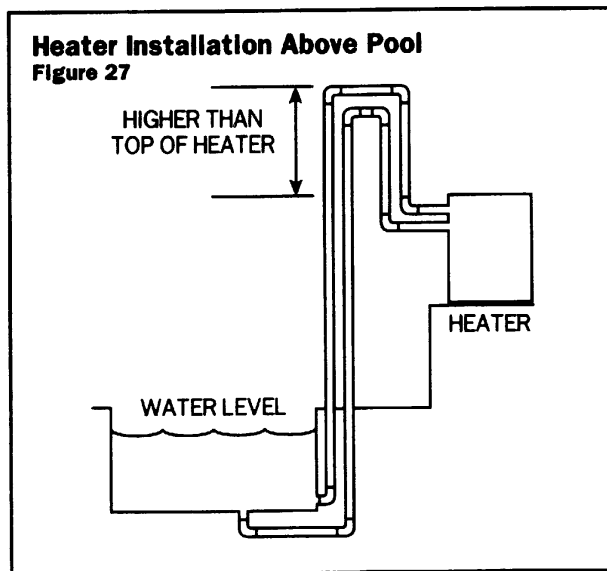


## Installation above pool/spa surface:

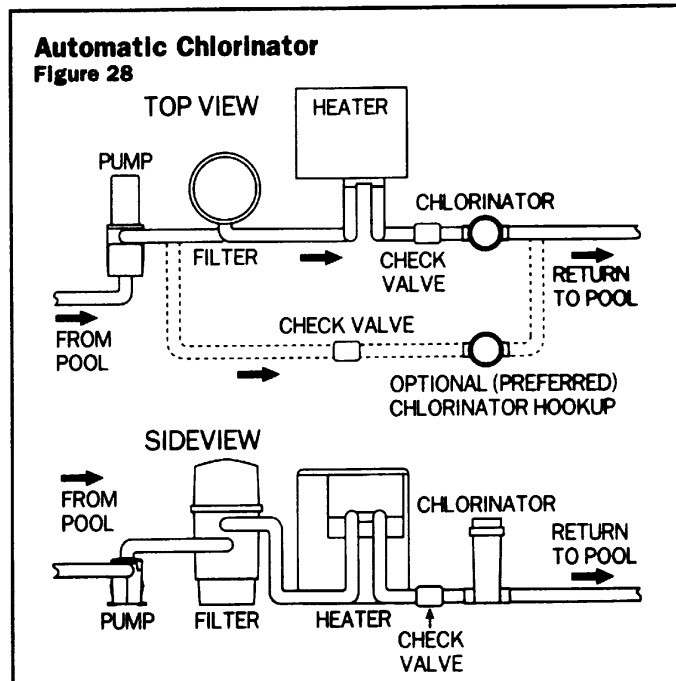
If heater is installed less than three (3) feet above the surface of the pool/spa water, install eyeball fittings or directional flow fittings on the end of the return water line to the pool/spa to create adequate back pressure at the heater to operate the pressure safety switch when filter pump is running.

If heater is installed more than three (3) feet above surface of pool/spa water, install a loop as shown on Figure 27 to prevent drainage of water in heater during filter change.

For installation below pool/spa surface, refer to Section IV.



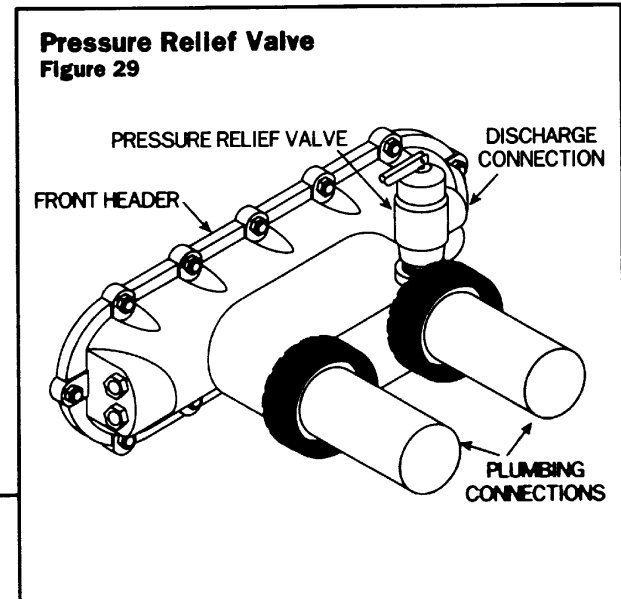
## Automatic chlorinators and chemical feeders



If used, a chlorinator must be installed downstream from the heater in the pool return line and at a lower elevation than the heater outlet connection. See Figure 28. Install a separate positive seal, corrosion resistant check valve (EXAMPLE: Rainbow Plastics #17288 or #172323) between the heater outlet and chlorinator to prevent highly concentrated sanitizers from back-siphoning into the heater. Back-siphoning usually occurs when the pump is shut off and a pressure-suction differential is created.

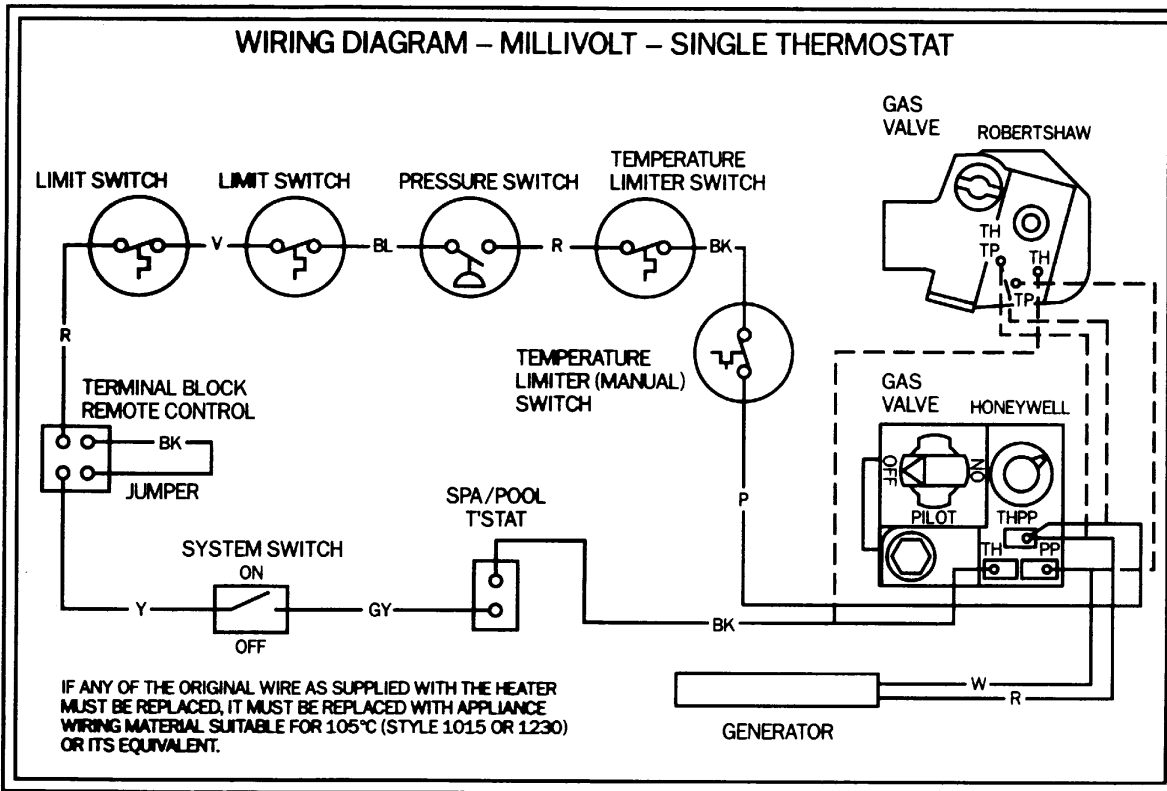
## Pressure relief valve:

It may be necessary to install a pressure relief valve to conform with local building codes. A  $\frac{3}{4}$ " pressure relief valve with a discharge capacity greater than or equal to the BTUH input of the heater and a pressure relief rating less than the heater working pressure is recommended (see rating plate).



A  $\frac{3}{4}$ " NPT connection is provided in the front header for installation of a pressure relief valve. See Figure 29. The valve shall be installed directly to the header in a vertical position. To avoid scalding or water damage due to relief valve operation, connect a drain pipe to the valve outlet and run the line to a safe place of discharge. The drain pipe must be at least the same size as the valve discharge connection throughout its entire length and must pitch downward from the valve. No shutoff valve or restriction shall be installed between the relief valve and the discharge of the drainline. The valve lever should be lifted at least once a year to ensure that the waterway is clear.

**Wiring Diagram - Millivolt**  
**Figure 30**



### Millivolt system:

The millivolt operated heater is equipped with a standing pilot and a thermopile (pilot generator). All of the electric current required to operate the controls within the heater is provided by the pilot generator. No external wiring or electrical connections are required. The system consists of seven separate controls wired in series with the gas valve. All switches in these controls must be "closed" for the main gas valve to open and allow the heater to operate. The individual controls are described in the Maintenance/Service section of this manual. Figure 30 shows the heater wiring for millivolt operated systems.

### Electronic ignition system:

The electronic ignition system is equipped with the same basic controls as the millivolt operated heater but a direct spark ignition device (DS) is used to automatically light the main burners on each call for heat. With the DS module these controls operate on 24 volts so an external power source is required.

All wiring connections to the heater must be made in accordance with the latest edition of the National Electrical Code ANSI/NFPA 70, unless local

code requirements specify otherwise. In Canada, follow CSA C22.1 – CANADIAN ELECTRICAL CODE, Part 1.

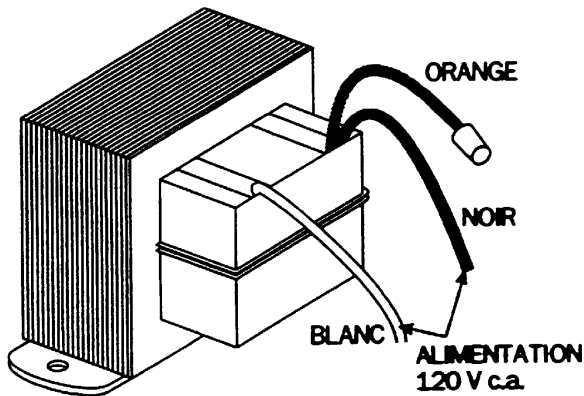
Since an external electrical source is utilized, the heater, when installed, must be electrically grounded and bonded in accordance with local codes, or in the absence of local codes, with the National Electrical Code, ANSI/NFPA 70.

The H-Series heater can be installed with the electrical connections, service entry/remote control, located on either the left or right side of the heater. Punch out the knockout slug adjacent to the controls compartment on either or both sides as necessary.

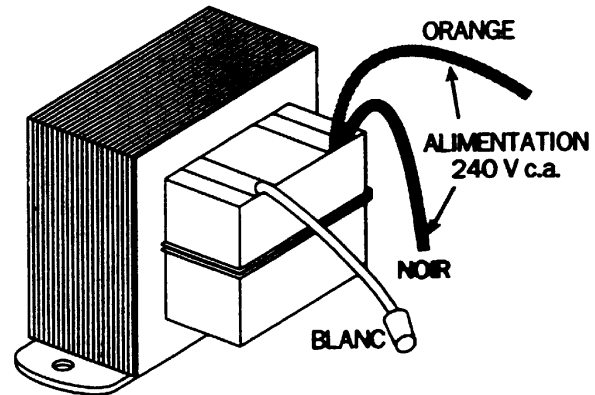
The heater is supplied with a dual voltage transformer for either 120 volt or 240 volt power supply. If the heater is to be wired in series with the pump, the electrical circuit draws only 0.3 amps. Use a 15 amp circuit breaker if heater is wired to a separate circuit.

Field wiring connections are to be made inside the junction box located behind the control access door. For a heater powered by a 120V source, refer to the wiring diagram and connect the power supply to the black (common) lead and the white (120V) lead. See Figure 31. For a pool heater powered by a 240V source, refer to the wiring diagram and con-

**Connexion 120 V c.a.**  
Figure 31

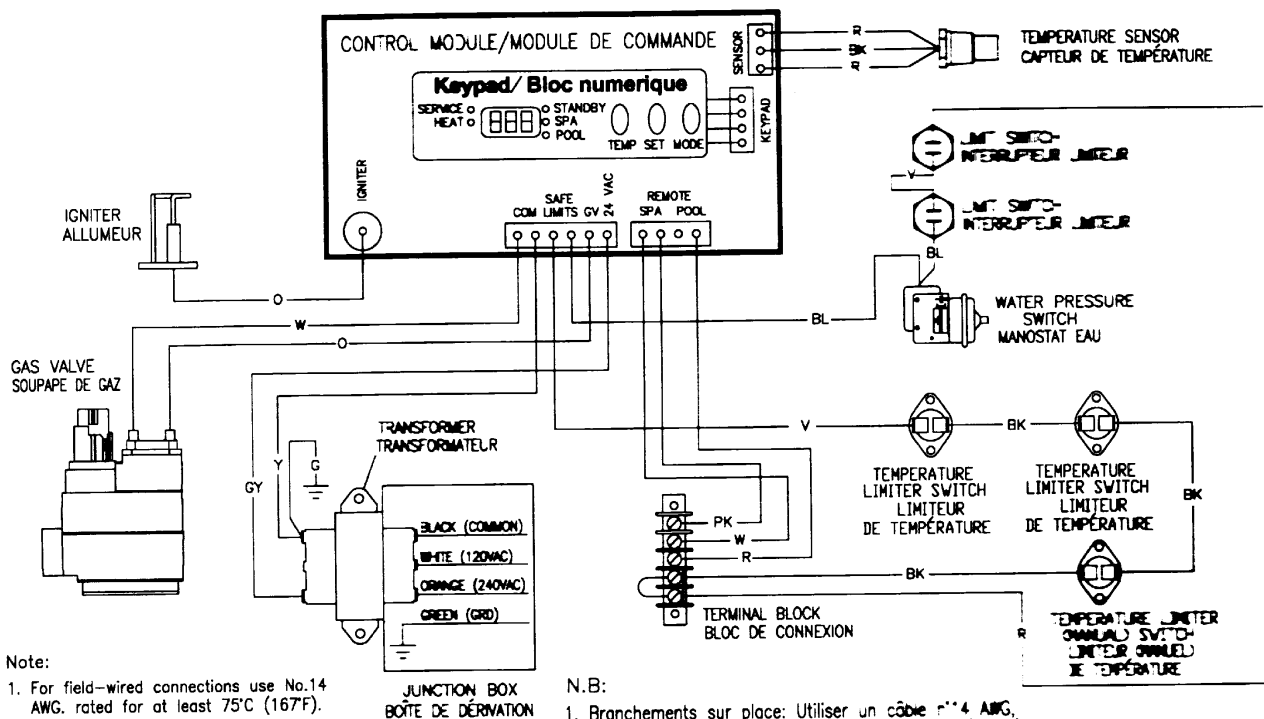


**Connexion 240 V c.a.**  
Figure 32



**Wiring Connection Diagram / Schéma de connexions**

Figure 33



Note:

1. For field-wired connections use No.14 AWG. rated for at least 75°C (167°F).
2. If any of the original wire as supplied with the heater must be replaced, it must be replaced with No.18 AWG. UL or CSA approved wire, rated for 600V and for 105°C.

N.B:

1. Branchements sur place: Utiliser un câble n°14 AWG, destiné à une température minimum de 75°C (167°F).
2. Si l'un des fils d'origine, tel qu'il a été fourni avec l'appareil de chauffage, doit être remplacé, il doit l'être avec un câble n° 18 AWG homologué UL ou CSA, convenant à 600 V et à 105°C.

1302703901

Les connexions de câblage à l'installation doivent être effectuées à l'intérieur de la boîte de dérivation située derrière la porte d'accès des commandes. Pour un appareil de chauffage alimenté par une source de 120 V, se reporter au schéma de câblage et raccorder l'alimentation au conducteur noir (commun) et au conducteur blanc (120 V). Pour un appareil de chauffage de piscine alimenté par une source de 240 V, se reporter au schéma de câblage et raccorder l'alimentation au conducteur noir (commun) et au conducteur orange (240 V). Voir Figure 32. Une patte de mise à terre à l'intérieur de

la boîte de dérivation est prévue pour raccordement du fil de terre isolé vert. Remettre le couvercle de la boîte de dérivation en place et fermer le panneau d'accès au terme du câblage sur place.

La Figure 33 montre le câblage de l'appareil de chauffage pour les systèmes à allumage électronique.



---

## Remote control connections:

A terminal block is provided in the H-Series heater control compartment for connection of a remote control system. Remote wiring should be run in a separate conduit. Do not run remote wiring parallel to high voltage wires.

### Electronic Heaters

Use 22 AWG wire for runs less than 30 feet. For run over 30 feet, use 20 AWG wire. Runs should not exceed 200 feet.

The terminal block for connecting remote switches is located to the right of the electrical junction box. The dipswitch for disabling the heater's temperature thermostat is located on the circuit board. The setting of this dipswitch may need to be changed depending on the type of remote that is connected to the heater.

### 2-Wire Remote Thermostat:

This type of remote has its own temperature sensor for regulating the water temperature. To disable the heater's thermostat, set the bypass dipswitch to the "on" position. Wire the remote to terminals 1 & 2 of the terminal block. Do not remove the jumper clip on terminals 4 & 5.

To operate the heater by remote thermostat, the heater's control must be in either the "Pool" or "Spa" mode. The heater's display will show "bO". The "Pool" or "Spa" LED will be illuminated. The heater will fire when instructed by the remote thermostat. The heater's thermostat will function to limit the water temperature to a maximum of 104° F.

### 2-Wire Remote Switch:

This type of remote allows for the heater to be remotely turned off or on. The heater uses its internal thermostat to regulate the water temperature.

Connect this type of remote to terminals 4 & 5. Remove the jumper clip from 4 & 5. The bypass dipswitch should be kept in the off position.

The heater's internal thermostat will regulate the water temperature. Whenever the remote switch is off, heater will be disabled and the display will show "LO".

### 3-Wire Remote Switch:

A 3-wire remote allows for the "Pool" or "Spa" modes of the heater to be remotely selected. The heater uses its internal thermostat to regulate the water temperature.

Connect Pool/Low of the remote to terminal 1, Common to terminal 2, and Spa/High to terminal 3. Do not remove the jumper clip on terminals 4 & 5. The bypass dipswitch should be kept in the off position.

To operate the heater with a remote 3-wire switch, the heater's control must be in the "Standby" mode. The Standby LED will be illuminated. When the remote switch is set to "Pool/Low", the Pool LED will be energized and the display will show the Pool water temperature. When the remote switch is set to "Spa/High", the Spa LED will be energized and the display will show the Spa water temperature. The heater will use its internal thermostat to regulate the water temperature to the set point of the mode selected.

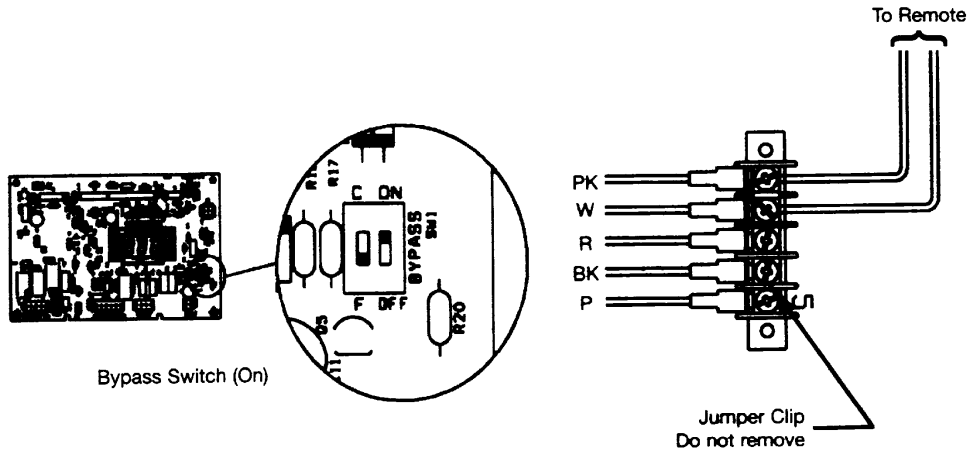
### Millivolt Heaters

A terminal block for connecting 2-wire remote thermostats or switches is located on the Intermediate Panel.

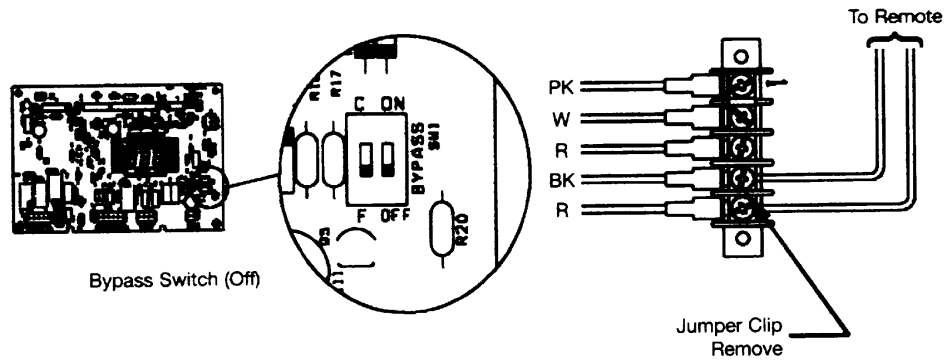
Use a high quality 22 AWG wire with corrosion resistant connections. Runs should not exceed 25 feet.

After hook-up is complete, turn thermostat to its maximum setting and move the system switch to on.

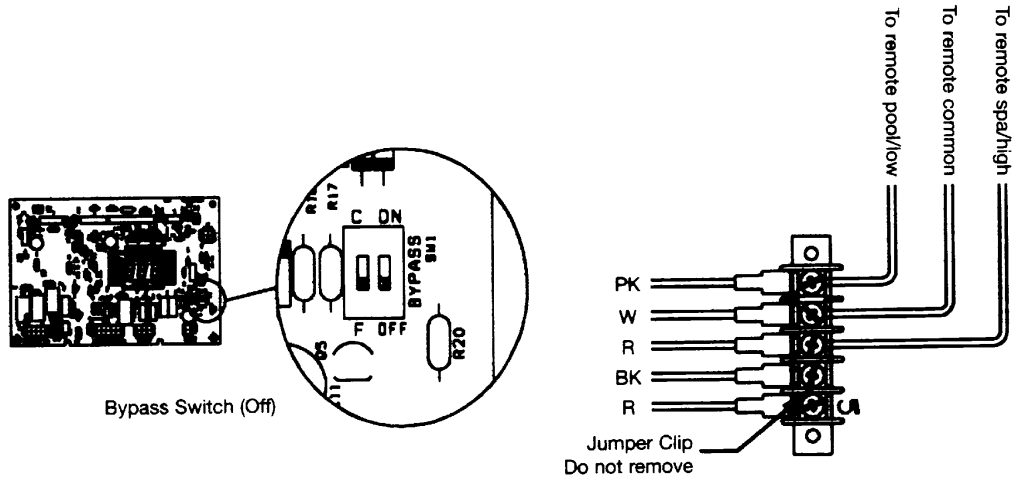
### Connection to 2-wire Remote Thermostat



### Connection to 2-wire Remote On/Off Switch



### Connection to 3-wire Remote



# Section IV. Installer Check-out And Start-up

## General:

Some of the following procedures will require the heater to be operating. Full lighting and shutdown instructions are included on the lighting instructions label secured inside the cabinet. The instruction labels are shown in Figures 39 and 40. The millivolt heater must be lit manually. The electronic ignition models are lit automatically on each call for heat.

Water must be flowing through the heater during operation. Check that the pump is operating and the system is filled with water and purged of all air, prior to starting heater.

## Gas line testing:

The appliance and its gas connection shall be leak tested before placing the appliance in operation. The heater and its individual shutoff valve must be disconnected from the gas supply piping system during any pressure testing of that system at test pressures in excess of 1/2 psig (3.45 kPa). The heater must be isolated from the gas supply piping system by closing its individual manual shutoff valve during any pressure testing of the gas supply piping system at test pressures equal to or less than 1/2 psig (3.45 kPa).

Gas supply line must be capped when not connected. After pressure testing, reconnect the gas piping to the gas valve. Turn gas supply on and test all pipe and pilot tubing joints for leaks. Use a soap and water solution. Bubbles forming indicate a leak. **Never use an open flame (match, lighter, torch, etc.) as a leak could cause an explosion or injury.** Shut off gas and fix even the smallest leak right away. Be sure to leak test main burner and pilot tube fittings using above procedure once heater is in operation.

## Gas pressure test procedure:

The following gas pressure requirements are important to the proper operation of the burners and pilots in gas heaters. Improper gas pressure or gas volume will create the following conditions:

1. Flame burns totally yellow.
2. Flame lifts off burner.
3. Heat exchanger soots up.
4. Pilot outage on millivolt heaters.

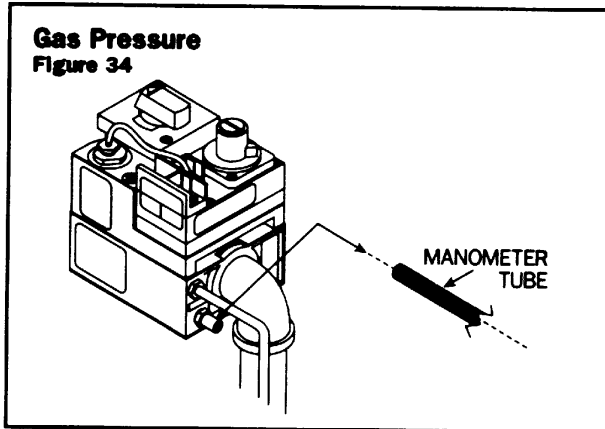
The pressure regulator on all H-Series heaters is preset at the factory and normally needs no adjustment. If gas pressure is inadequate, check for undersized piping between meter and heater or for low capacity gas meter.

### A. Gas pressure test procedure:

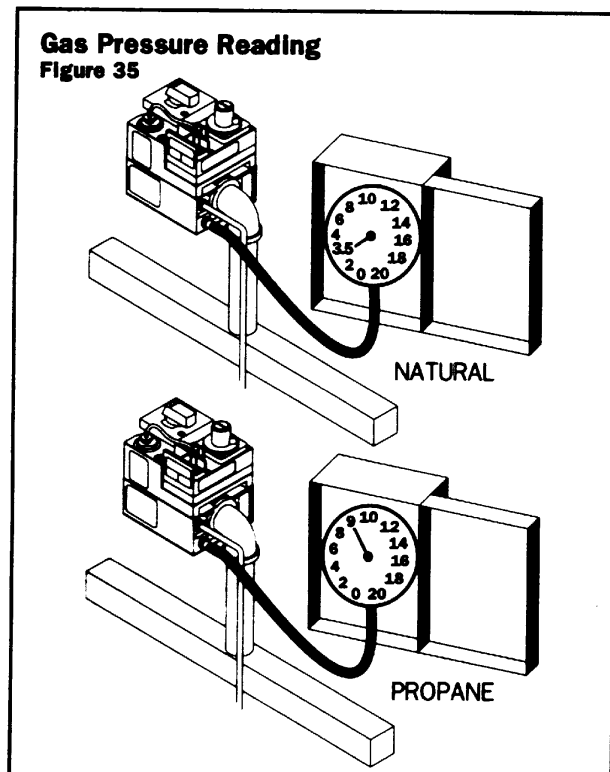
1. Obtain necessary equipment:
  - a. Manometer to read pressure in inches of water column.
  - b. 1/8" nipple (1/8" pipe thread x 1" long).
  - c. 5/16" open end wrench.
  - d. Screwdriver.

**▲SAFETY WARNING:** Do not remove the 1/8" plug with the gas valve in the "ON" position. The gas valve must be in the "PILOT" or "OFF" position when the plug is removed.

2. Remove 1/8" plug from gas valve.
3. Install 1/8" pipe nipple into gas valve.
4. Attach manometer to the 1/8" pipe nipple. See Figure 34.

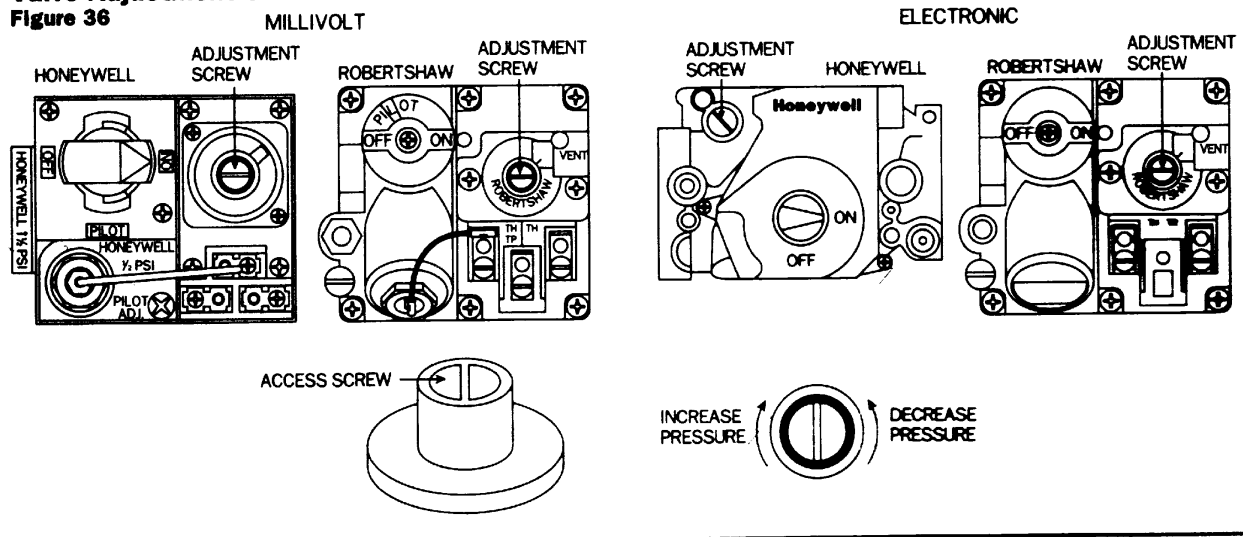


5. Turn on water system and start heater following the lighting instructions on the label inside the cabinet. If there is more than just the pool/spa heater connected to the gas supply line, turn each of those appliances on while testing the heater.
6. Take pressure reading with the heater running. Propane gas must have 9" W.C. (water column pressure). Natural gas must have 3.5" W.C. See Figure 35.



## Valve Adjustment Screw

Figure 36



7. If the gas pressure does not meet the above requirements the regulator must be adjusted.
- B. Gas pressure regulator adjustment procedure:
  1. Remove access screw from the pressure regulator.
  2. Turn regulator adjustment screw clockwise to increase pressure and counterclockwise to decrease pressure. Replace access screw. See Figure 36.

**SAFETY WARNING:** Do not remove the  $\frac{1}{8}$ " pipe nipple with the valve in the "ON" position. The valve must be in the "PILOT" or "OFF" position when the plug is removed.

3. Remove  $\frac{1}{8}$ " pipe nipple and replace  $\frac{1}{8}$ " plug. If proper pressure cannot be achieved by adjusting the regulator, the installer must contact the gas supplier and request that the inlet pressure to the heater be set as follows: Natural gas - 7" W.C., Propane gas - 11" W.C. The inlet gas pressure must not exceed 10.5" W.C. (water column pressure) for Natural gas or 13" W.C. for Propane gas. Exposure to higher pressures can damage the gas control valve, causing leaks or diaphragm rupture. This damage could result in fire, explosion or burner overfiring leading to carbon monoxide poisoning. Minimum inlet gas pressure is 5.0" W.C. for Natural and 10" W.C. for Propane for the purpose of input adjustment.

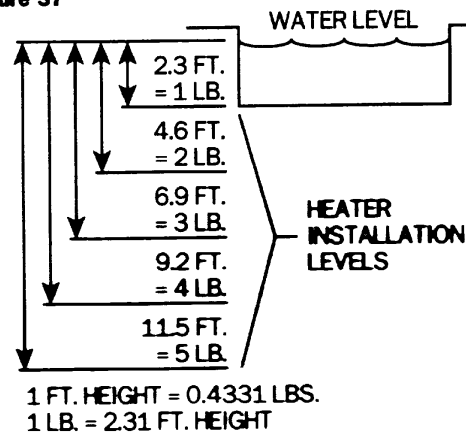
## Installation below pool/spa surface:

1. Clean filter thoroughly.
2. Set heater thermostat to highest setting.
3. Start filter pump. Make sure all air is out of water lines and complete system is full of water.
4. Turn filter pump off, adjust pressure switch control. (See "Pressure Switch" on Page 32.)

5. Check pressure switch function by turning filter pump on and off causing heater to respond on or off. If heater is installed beyond pressure limits, a flow switch must be installed in water line to heater.

## Heater Installation Below Pool

Figure 37



## Two speed pump:

In a few cases, the pressure from a two speed pump is below the one pound minimum required to operate the heater. This is apparent when the pressure switch cannot be further adjusted. In these cases the pump must be run at high speed to operate heater. If the pump and piping arrangements are such that the required one pound minimum pressure cannot be obtained, do not attempt to operate the heater. Correct the installation.

**Heater installation, check-out and start-up should now be completed. BE SURE to leave Installation, Operation & Service Procedures Manual with consumer.**

# Section V. Consumer Operation & Maintenance Procedures

## FOR YOUR SAFETY – READ BEFORE OPERATING

### General:

Water must be flowing through heater during operation. Check that the pump is operating and the system is filled with water and purged of all air prior to starting heater. In a new pool it is recommended that the filter be operated long enough to completely clean and clear the pool water and filter system.

Balance the pool/spa water chemistry and clean the filter. Then follow the instructions below.

### Pool/Spa water chemistry:

See also Figure 38. The mineral content of swimming pool water increases daily due to addition of pool sanitizing chemicals and natural evaporation. Excess minerals will deposit on pool walls, in the filtration system, and in the heat exchanger tubes if the mineral content is too high.

Changing spa water regularly and maintaining correct chemical balance in pool/spa will keep the pool/spa safe and sanitary, and will protect heater and its warranty coverage. Purchase a good "DPD" water test kit and check the following chemical levels frequently:

**CHLORINE OR BROMINE** – Recommended level 1 to 4 ppm. Test before use.

**pH** – Recommended ideal level 7.4 to 7.6. **HIGH** readings reduce sanitizer efficiency. **LOW** readings are corrosive.

**TOTAL ALKALINITY** – 80 to 120 ppm. Test weekly during regular use. **LOW** readings are corrosive and cause rapid pH changes when chemicals are added.

**CALCIUM HARDNESS** – 200 to 400 ppm. Test whenever pool/spa is filled. **LOW** levels of hardness can be very corrosive.

Remember, addition of any chemicals can change levels of chlorine, pH, and total alkalinity.

It is recommended that residential spa water be

changed every 2 to 3 months to prevent water problems. Public spas may need to have the water changed every week, or even daily, depending on bather load.

### Using chlorinators and chemical feeders:

Follow the instructions provided with any automatic or manual chlorinator and chemical feeder. All chemicals must be introduced and diluted into the pool or spa water before being circulated through the heater. **Do not place chlorine tablets or bromine sticks directly into the skimmer.** High chemical concentrations may result when the pump is not running. High chemical concentrations will cause very rapid corrosion of the heat exchanger. Such damage is not covered under warranty.

### Heater operation:

Full lighting and shutdown instructions are included on the lighting instructions label secured inside the cabinet. The instruction labels are shown in Figures 39 and 40. The millivolt heater must be lit manually. The electronic ignition models are lit automatically on each call for heat.

**▲WARNING:** If you smell gas in the appliance area or near the floor (**PROPANE IS HEAVIER THAN AIR AND HENCE SETTLES ON THE FLOOR**), stop and follow instructions on front cover. Since propane can accumulate in confined areas, extra care should be taken when lighting propane heaters. It is always a safe practice to keep your head well away from the lower firebox opening when lighting the heater.

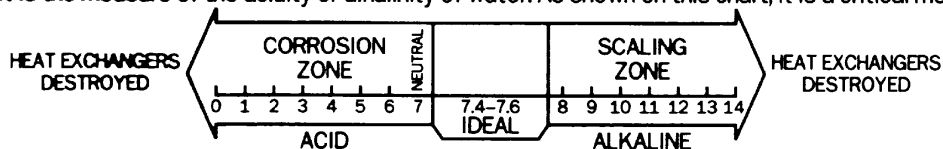
**▲NOTE:** Do not use the unit below 40°F temperature with out adequate temperature protection. Do not operate heater while an automatic pool cleaner is in use unless the flow rate has been checked as correct under operation with the pool cleaner and a dirty filter.

### Facts about water chemistry:

**FACTORS** which affect pool/spa water and, more importantly, the efficiency and operation of the pool/spa heater.

1. PROPER FILTRATION
2. PROPER CIRCULATION
3. DISINFECTION AND OXIDATION
4. pH CONTROL AND TOTAL ALKALINITY
5. ALGAE CONTROL

What is pH? It is the measure of the acidity or alkalinity of water. As shown on this chart, it is a critical measurement.



Hayward recommends using a four way test kit to obtain...

1. MIN./MAX. pH (7.2 - 7.8)
2. CHLORINE RESIDUAL (1.0 - 3.0 PPM), BROMINE (2.0 - 4.0 PPM)
3. TOTAL ALKALINITY (80 - 100 PPM) for calcium, lithium and sodium hypochlorite, or (100 - 120 PPM) for sodium dichlor, trichlor, and bromine.
4. CALCIUM HARDNESS (200 - 400 PPM)

Figure 38

## FOR YOUR SAFETY READ BEFORE LIGHTING

**WARNING:** If you do not follow these instructions exactly, a fire or explosion may result causing property damage, personal injury or loss of life.

- A. This appliance has a pilot which must be lighted by hand. When lighting the pilot, follow these instructions exactly.
- B. BEFORE LIGHTING, smell all around the appliance area for gas. Be sure to smell next to the floor because some gas is heavier than air and will settle on the floor.

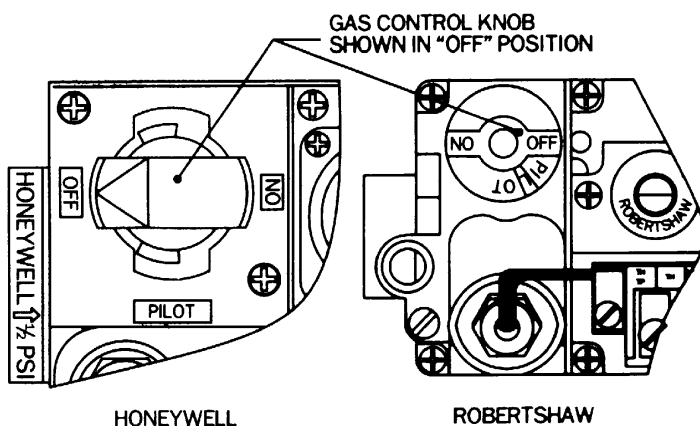
**WHAT TO DO IF YOU SMELL GAS:**

- Do not try to light any appliances.
- Do not touch any electric switch; Do not use any phone in your building.
- Immediately call your gas supplier from a neighbor's phone. Follow the gas supplier's instructions.

- If you cannot reach your gas supplier, call the fire department.
- C. Use only your hand to push in or turn the gas control knob. Never use tools. If the knob will not push in or turn by hand, do not try to repair it. Call a qualified service technician. Force or attempted repair may result in a fire or explosion.
  - D. Do not use this heater if any part has been under water. Immediately call a qualified service technician to inspect the appliance and to replace any part of the control system and any gas control which has been under water.
  - E. Should over-heating occur, or gas supply fail to shut off, turn off manual gas valve to the appliance.

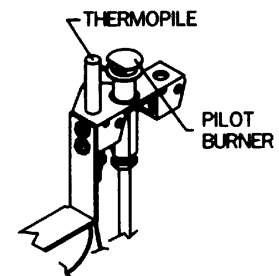
## LIGHTING INSTRUCTIONS

1. Stop! Read the safety information above on this label.
2. Turn the thermostat on the control to the lowest setting.
3. Set the system switch on the control panel to the "OFF" position.
4. Remove heater front door.
5. Push in gas control knob slightly and turn clockwise to "OFF".



6. Wait five (5) minutes to clear out any gas. If you then smell gas, STOP! Follow "B" in the safety information above on this label. If you don't smell gas, go the next step.

7. Find pilot - follow metal tube from gas control. The pilot is beside the burner tube to the extreme left.
8. Turn knob on gas control counterclockwise to "PILOT."
9. Push in control knob all the way and hold in. Push the spark ignitor button several times to light pilot. Continue to hold the control knob in for about one (1) minute after the pilot is lit. Release knob and it will pop back up. Pilot should remain lit. If it goes out, repeat steps 5 through 9.
  - If knob does not pop up when released, stop and immediately call your service technician or gas supplier.
  - If the pilot will not stay lit after several tries, turn the gas control knob to "OFF" and call your service technician or gas supplier.
10. Turn gas control knob counterclockwise to "ON."
11. Replace the heater front door.
12. Set the system switch on the control panel to the "ON" position.
13. Turn the thermostat(s) on the control panel to desired setting.



## TO TURN OFF GAS TO APPLIANCE

1. Turn the thermostat on the control panel to lowest setting.
2. Set system switch on the control panel to the "OFF" position.
3. Remove the heater front door.
4. Push in gas control knob slightly and turn clockwise to "OFF". Do not force.
5. Replace the heater front door.

# Operating Instructions - Electronic Ignition

## FOR YOUR SAFETY READ BEFORE LIGHTING

**WARNING:** If you do not follow these instructions exactly, a fire or explosion may result causing property damage, personal injury or loss of life.

- A. This appliance does not have a pilot. It is equipped with an ignition device which automatically lights the burners. Do not try to light the burners by hand.
- B. BEFORE LIGHTING smell all around the appliance area for gas. Be sure to smell next to the floor because some gas is heavier than air and will settle on the floor.

### WHAT TO DO IF YOU SMELL GAS

- Do not try to light any appliances.
  - Do not touch any electric switch; do not use any phone in your building.
  - Immediately call your gas supplier from a neighbor's phone. Follow the gas supplier's instructions.
  - If you cannot reach your gas supplier, call the fire department.
- C. Use only your hand to turn the gas control knob. Never use tools. If the knob will not turn by hand, don't try to repair it; call a qualified service technician. Force or attempted repair may result in a fire or explosion.
- D. Do not use this appliance if any part has been under water. Immediately call a qualified service technician to inspect the appliance and to replace any part of the control system and any gas control which has been under water.
- E. Should over-heating occur, or the gas supply fails to shut off, turn off manual gas valve to the appliance.

## POUR VOTRE SÉCURITÉ LIRE AVANT L'ALLUMAGE



**MISE EN GARDE:** Si vous ne suivez pas exactement ces instructions, un incendie ou une explosion pourrait survenir et causer des dommages à la propriété, des blessures corporelles ou la perte de la vie.

- A. Cet appareil n'a pas de pilote. Un mécanisme d'allumage automatique pour les brûleurs. N'essayez pas d'allumer les brûleurs à la main.
- B. AVANT L'ALLUMAGE, sentir tout autour de l'appareil pour déceler d'éventuelles odeurs de gaz. S'assurer de sentir près du plancher parce que les gaz plus lourdes que l'air se concentrent au niveau du plancher.

### QUE FAIRE EN PRÉSENCE D'ODEURS DE GAZ

- Ne pas essayer d'allumer l'appareil.
  - Ne pas toucher à un commutateur électrique; Ne pas utiliser le téléphone dans la maison.
  - Appeler immédiatement fournisseur de gaz chez un voisin. Suivre les instructions du fournisseur de gaz.
  - Si le fournisseur ne peut pas être atteint, appeler le service des incendies.
- C. Utiliser uniquement les mains pour actionner les boutons de commande du gaz. Ne jamais utiliser d'outils. Si le bouton ne s'enfonce pas ou ne se tourne pas à la main, ne pas essayer de le réparer. Appeler un technicien qualifié. L'utilisation de la force ou une tentative de réparation pourrait causer un incendie ou une explosion.
- D. Ne pas utiliser cet appareil si une des composantes a été immergée dans l'eau. Appeler immédiatement un technicien qualifié pour vérifier l'appareil et remplacer toute composante du système de commande ou de gaz qui aurait été immergée dans l'eau.
- E. Si le système surchauffait ou si le gaz refusait de se fermer, placer le robinet d'arrêt manuel de gaz de l'appareil en position ferme.


## OPERATING INSTRUCTIONS

1. STOP! Read the safety information on this label.
2. Change the "MODE" on the control panel to "STANDBY."
3. Remove the heater's front access panel.
4. This appliance is equipped with an ignition device which automatically lights the burners. Do not try to light the burners by hand.
5. Turn gas control knob clockwise  to "OFF."
7. Turn gas control knob counterclockwise  to "ON."
8. Replace the heater's front access panel.
9. Set the "MODE" on the control panel to "SPA" or "POOL."
10. Set the set point temperature on the control panel to the desired setting.
11. If the appliance does not operate, repeat steps 2 through 10. If the appliance still does not operate, follow instructions "TO TURN OFF GAS TO APPLIANCE" and call your service technician or gas supplier.

GAS CONTROL  
KNOB SHOWN  
IN "OFF"  
POSITION



## TO TURN OFF GAS TO APPLIANCE

1. Change the "MODE" on the control panel to "STANDBY."
2. Remove the heater's front access panel.
3. Turn gas control knob clockwise  to "OFF."
4. Replace the heater's front access panel.

## INSTRUCTIONS D'ALLUMAGE


1. STOP! Lire les consignes de sécurité sur cette étiquette.
2. Changer le MODE du tableau de commande à STANDBY.
3. Retirer le panneau d'accès avant de l'appareil de chauffage.
4. Cet appareil est pourvu d'un dispositif d'allumage qui allume automatiquement les brûleurs. Ne pas tenter d'allumer manuellement les brûleurs.
5. Tourner le bouton de commande du gaz en sens  horaire à OFF (fermé).
7. Tourner le bouton de commande du gaz en sens anti-horaire  à ON (ouvert).
8. Replacer le panneau d'accès avant de l'appareil de chauffage.
9. Régler le MODE du tableau de commande à SPA ou à POOL.
10. Établir la valeur de réglage sur le tableau de commande à la température désirée.
11. Si l'appareil ne fonctionne pas, répéter les étapes 2 à 10. Si l'appareil refuse toujours de fonctionner, suivre les instructions Pour tourner le gaz à l'appareil et appeler son technicien de service ou son fournisseur de gaz.

BOUTON DE  
COMMANDE  
DE GAZ MONTRÉ  
EN POSITION  
"FERMÉ" (OFF)



6. Attendre cinq (5) minutes que tout gaz se dissipe. Arrêter si l'on sent alors une odeur de gaz. Suivre B dans les consignes de sécurité de

## POUR FERMER LE GAZ SUR L'APPAREIL

1. Changer le MODE du tableau de commande à STANDBY.
2. Retirer le panneau d'accès avant de l'appareil de chauffage.
3. Tourner le bouton de commande du gaz en sens horaire  à OFF (fermé).
4. Replacer le panneau d'accès avant de l'appareil de chauffage.

## ▲ Warning:

Do not ingest alcohol or drugs during use or prior to using pool, spa or hot tub. Ingestion of such intoxicants can cause drowsiness which can lead to unconsciousness, and subsequently result in drowning.

Do not heat pool, spa or hot tub water in excess of 102°F. A temperature of 100°F is considered safe for a healthy adult. Hotter water increases the risk of hyperthermia. Special caution is suggested for younger children.

Pregnant women beware! Soaking in water above 102°F (39°C) can cause fetal damage during first three months of pregnancy (resulting in the birth of a brain-damaged or deformed child). Pregnant women should adhere to the 100°F (38°C) maximum rule.

Before entering the spa or hot tub, users should check the water temperature with an accurate thermometer; spa or hot tub thermostats may err in regulating water temperatures by as much as four degrees Fahrenheit (2.2°C).

Persons with medical history of heart disease, circulatory problems, diabetes or blood pressure problems should obtain their physician's advice before using spas or hot tubs.

Persons taking medications which induce drowsiness, such as tranquilizers, antihistamines or anticoagulants, should not use spas or hot tubs.

If the pool/spa is used for therapy, it should be done with the advice of a physician. Always stir pool/spa water before entering the pool/spa to mix in any hot surface layer of water that might exceed healthful temperature limits and cause injury.

Do not tamper with controls, because scalding can result if safety controls are not in proper order.

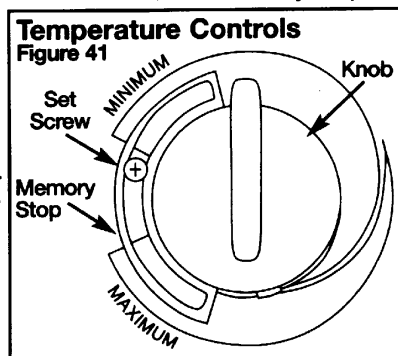
## Temperature Controls:

### Millivolt Heaters

Millivolt heaters are provided with a mechanical thermostat. The thermostat and system switch are mounted on the control panel. The thermostat controls the pool or spa temperature. The system switch allows one to turn the heater on or off. See Figure 41.

The memory stop provides a manual means of locking the desired maximum temperature setting of the pool or spa. Once the desired temperature setting of the knob has been determined, the memory stop is adjusted by loosening a set screw,

rotating the memory stop to the knob setting, and retightening the set screw. The water temperature should be set and checked with an accurate thermometer immersed in the pool or spa.



### Electronic Heaters

Electronic heaters are provided with a digital temperature control that can be set to heat either the pool or spa. The digital temperature control is located on the control panel. The digital thermostat contains a mode key, up and down temperature adjustment keys, a LED display, and five status LED's.

To turn the heater on, toggle the "MODE" key to "POOL" or "SPA". The water temperature will be displayed. To display the "POOL" or "SPA" set point, press the UP or DOWN key. The set point will flash while being displayed. To adjust the set point, press the UP or DOWN key until the desired set point is displayed. The display will revert back to showing the water temperature after about 15 seconds. The temperature can be displayed in either Fahrenheit or Celsius. To change to Celsius, move the position of the #1 "Dip Switch" (located on the back of the circuit board) to "C".

In the POOL or SPA modes, the actual water temperature is shown on the display. The Heating LED illuminates whenever the heater fires. If an abnormal condition is detected, the Service LED illuminates and a diagnostic code is displayed. Lists of the indicator LED's and diagnostic codes are shown below:

| Status LED |   |
|------------|---|
| LED        | Explanation   |
| STANDBY    | Illuminates when the heater is "off".   |
| SPA        | Illuminates when the heater is in the SPA mode.   |
| POOL       | Illuminates when the heater is in the POOL mode.  |
| SERVICE    | Illuminates when an abnormal condition has been detected. A diagnostic code will be shown on the display. |
| HEATING    | Illuminates when heating is in progress.  |

| Diagnostic Codes |                                     |
|------------------|-------------------------------------|
| Code             | Explanation                         |
| SF               | Thermistore failure.                |
| HS               | Maximum water temperature exceeded. |
| LO               | Limit string open.                  |
| IF               | Ignition Failure                    |
| HF               | Flame sense failure                 |

## Periodic inspection:

The H-Series heater is designed and built for long performance life when installed and operated according to the manufacturer's directions. Regular inspection by qualified service personnel is recommended to keep the heater operating properly. The following inspection points are suggested to help maximize heater life:



1. Periodically check the venting system on outdoor heaters. The heater's venting areas **must never** be obstructed in any way and **minimum** clearances must be observed to **prevent** restriction of combustion and ventilation air. Remember shrubs grow and in time may obstruct a heater's venting areas.
2. Check the venting on indoor heaters for looseness and possible leaks. Keep all openings for combustion and ventilation air clear and unobstructed.
3. Keep the entire pool heater area clean and free of all debris, combustible materials, gasoline and other flammable vapors and liquids. Remove any leaves or paper from around the heater.
4. Do not store chlorine, other pool chemicals, or other corrosives in the vicinity of the heater.
5. If heater is operating on Propane gas, Propane tank must not fall below 30% full or damage to the heater may occur. Hayward **will not** be responsible for heaters that soot up due to improper gas level in tank resulting in inadequate gas volume.
6. If another appliance is added to the gas line at a later date, consult local gas company to be sure the gas line will have the capacity to supply both units at full capacity at the same time.
7. Do not use the heater if any part has been under water. Contact a qualified service technician to inspect the entire heater and replace any part of the control system or gas valve that was under water. If heater has been totally submerged in water, replace the entire heater.
8. An inspection program is a good preventative maintenance measure. Keep this manual in a safe place for future reference and also for a service technician when inspecting or servicing heater. Additional inspection procedures to be performed by a qualified service technician are covered in Section VI. of this manual.

## Winterization:

In moderate climate, the heater can continue to operate during short term cold spells. Do not use the heater to maintain the water temperature just above freezing or for freeze protection. Care must be taken to avoid freeze-ups in the heater. When it is used during freezing weather, the pump **must** run continuously. The heater is not warranted against freeze-ups.

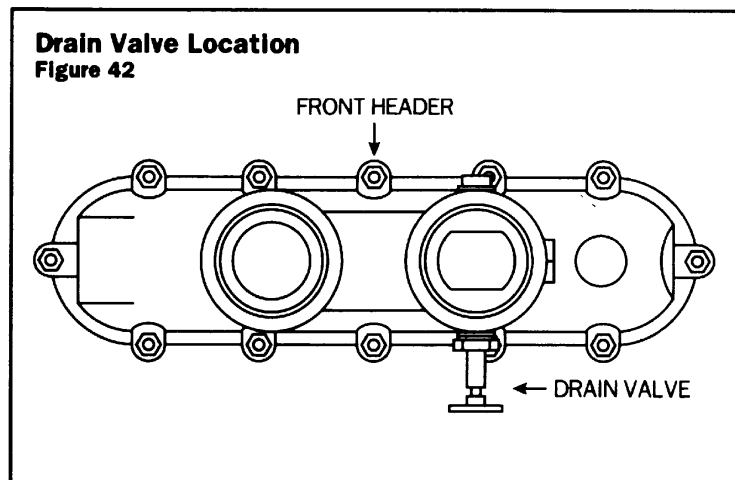
In regions where freezing temperatures are encountered, all water **must** be drained from the heater when out of service, to prevent damage to the heater and piping. Draining heat exchanger is recommended as part of the season's shut-down procedures.

**A HEATER DAMAGED BY FREEZING IS NOT COVERED UNDER THE MANUFACTURER'S WARRANTY.**

## Opening drain valve: (See Figure 42.)

(Above Pool Installations Only)

1. Turn heater thermostat(s) down to minimum setting. Set system switch to "OFF" position. Turn electricity off if heater has electronic ignition.
2. Turn heater gas valve to "OFF" position.
3. Turn manual gas valve outside of heater to off position.
4. Be sure circulating pump is off.
5. Open drain valve on front header and allow all water to drain from heater.
6. Leave drain valve open until spring startup.



## Spring start-up:

1. Inspect and clean heater, being sure heater is free of leaves and debris prior to startup.
2. Be sure inlet and outlet piping are properly attached to the unit and the drain valve is closed.
3. Turn filtration system pump on and allow system to run long enough to purge all air from the lines.
4. Turn manual gas valve outside of heater to on position.
5. **MILLIVOLT HEATERS:** Follow heater lighting instructions for lighting pilot and turn heater gas valve to "ON" position.  
**ELECTRONIC IGNITION HEATERS:** Turn electricity on, follow heater operating instructions and turn gas valve to the "ON" position.
6. Set system switch to "ON" for single thermostat heaters or to "POOL" or "SPA" position for dual thermostat heaters and turn thermostat(s) to desired temperature setting. Keep water at a safe temperature.
7. If operating difficulties are encountered, contact a qualified service company for assistance.

# Section VI. Qualified Technician - Maintenance/Service

## General:

**▲IMPORTANT:** Only qualified service technicians, having appropriate test equipment, should be allowed to service the heater. Bear in mind that all of the components that comprise the system have an effect on the heater operation. Before proceeding with heater related troubleshooting tips covered in Section VII, be certain that the pump is operating correctly, the filters and strainers are not blocked, the valves in the piping are properly positioned and the time clocks are properly set.

**▲WARNING:** Do not attempt to repair any components of heater. Do not modify heater in any manner. To do so may result in a malfunction which could result in death, personal injury, or property damage. Check with consumer to see if any part of heater has been under water. Replace any part of the control system and any gas control which has been under water. Never use or attempt to use parts that have previously been used.

## Maintenance:

The following inspection procedures are recommended to be performed as part of annual heater maintenance and to assure safe operation.

1. External heat exchanger.
2. Internal heat exchanger.
3. Main burner and pilot (millivolt heater only) flame patterns.
4. Main burner orifices and pilot orifice (millivolt heater only).
5. Operating controls.

Inspection procedures are covered below.

Some of the procedures will require disconnecting and removing wires in the control compartment. See Control Access below.

## Control Access:

Access to some of the operating controls is

gained by removing the control panel on the front of the heater. See Figure 43.

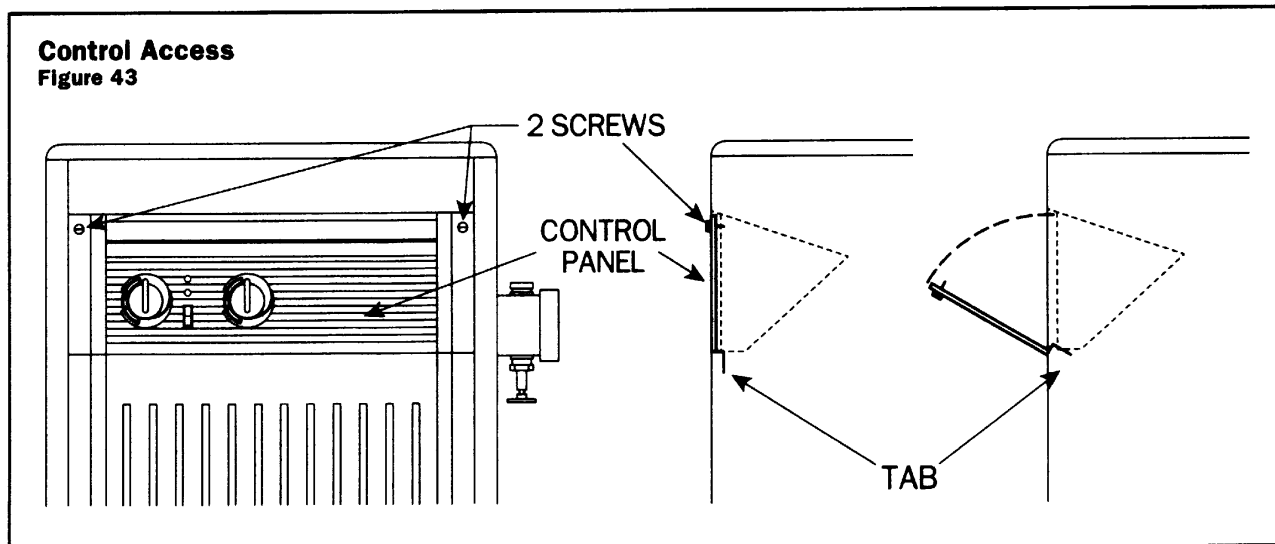
1. Turn the two screws counterclockwise which secure the control panel door.
2. Open the control panel to access the operating controls.
3. **▲CAUTION:** Label all wires prior to disconnection when servicing controls. Wiring errors can cause improper and dangerous operation.
4. Verify proper operation after servicing.
5. After servicing is complete close control panel door and secure by turning screws clockwise.

## External heat exchanger inspection and cleaning:

Inspect the external surfaces of the heat exchanger for soot accumulation. If soot has accumulated on the tubes it must be removed and its cause must be corrected.

Soot on a heat exchanger may be ignited by a random spark or open flame. To prevent this from occurring, dampen any soot deposits with a wet brush or water spray before servicing or cleaning the heat exchanger. The soot can be removed with a wire brush or a high velocity water spray after the heat exchanger has been removed. (See removal procedure below.) Although the heat exchanger should be cleaned of soot and reinstalled in the heater, the fact that sooting occurred should be investigated as it may be indicative of some other problems, such as:

- Insufficient air supply.
- Inadequate venting.
- High or low gas pressure.
- Blockage of secondary air openings.
- Improper location of heater.
- Incorrect gas supply pipe size.
- Excessive water flow through heat exchanger.
- Low LP tank (below 30% full).



## Heat exchanger removal:

1. **Shut off** water, gas and electricity to the heater. See figure 8. Drain heat exchanger.
  2. **Lift up** and remove heater integral vent.
  3. **Remove** screws from left and right side access panels and remove the panels.
  4. **Remove** screws from rear heat shield and remove heat shield.
  5. **Remove** screws from top rain guard and remove rain guard.
  6. **Disconnect** wires from limit switches on front header.
  7. **Remove** the pressure switch tube and pull through oval slot in the intermediate panel.
  8. **Millivolt Heaters Only** - Remove the thermostat bulb from the front header and reroute to opposite side of heater.
- ▲ **NOTE:** Using needle nose pliers to pull out copper strip makes bulb removal easier.
9. **Electronic Heaters Only** - Remove thermistor from front header.
  10. **Remove** the four screws from the flue collector and remove flue collector from heater.
  11. **Loosen** union nuts and detach pool plumbing from front header.
  12. **Lift** heat exchanger off heater and desoot or replace as necessary.
  13. **Reverse** the above procedure for reassembly.

## Combustion chamber:

▲ **IMPORTANT:** Inspect the FireTile™ refractory for damage with the heat exchanger removed. Replace refractory as needed. Pull out the refractory boards individually, front and back first, then sides. Reverse procedure for reassembly.

## Internal heat exchanger inspection and cleaning:

The heat exchanger should be inspected periodically for the accumulation of lime scale on the interior surfaces of the tubes.

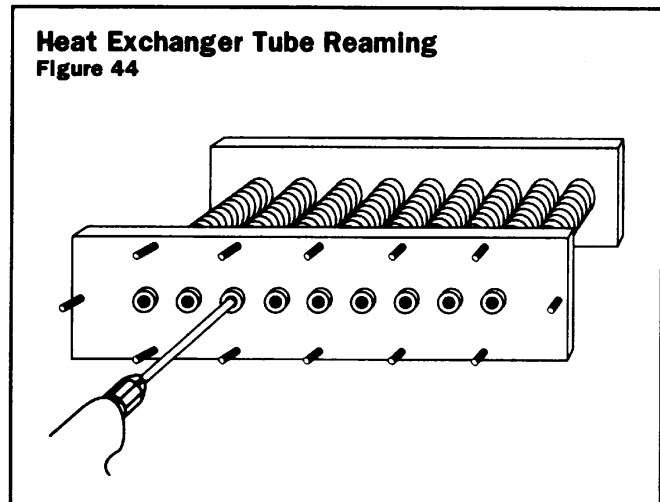
### Header Removal

1. Turn pump, main gas valve and heater power off.
2. Drain heat exchanger through drain valve on header.
3. Remove screws from left and right access panels and remove panels.
4. Remove wires from limit switches on header.
5. Remove thermistor from header.
6. Remove pressure switch tube from header.
7. Loosen union nuts and detach pool plumbing from header.

8. Remove the 12 washer-face nuts from header and remove header and O-ring. Inspect all 9 tubes of heat exchanger for any buildup of lime scale. If the heat exchanger needs to be cleaned, use the reaming or acid cleaning methods described below.

#### A. Reaming:

This procedure does not require removal of the entire heat exchanger from the heater. The tubes may be reamed using a carbide-tipped reamer and a 1" wire brush. For easy reaming, dry the heat exchanger first and frequently retract the reamer to remove lime powder and prevent binding. See Figure 44.



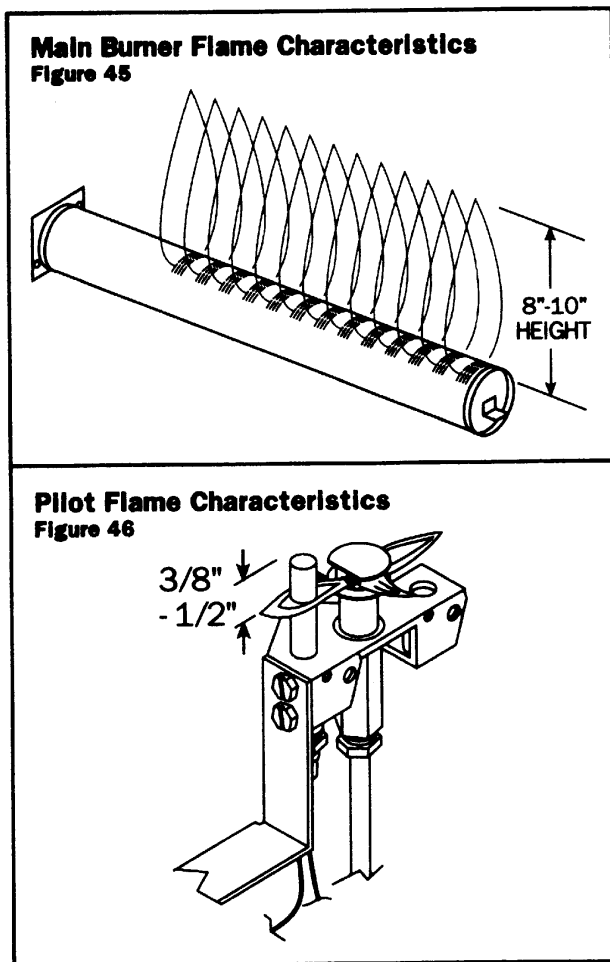
#### B. Acid Cleaning:

This procedure does require removal of the remaining heat exchanger from the heater. Follow steps 2, 4, 8 and 10 under Heat Exchanger Removal. The exchanger can be immersed in a muriatic acid solution (3 parts water to 1 part acid). The muriatic acid solution will remove some copper at a slow rate so care should be taken not to allow the exchanger to stay in the solution too long. When the tubes are clean, flush the assembly thoroughly with a soda-ash solution to neutralize any acid residue. If the tubes are pitted or worn thin investigate and correct any hydraulic problems. Hydraulic problems may result from incorrect water chemistry, slow or excessive water flow, metals in the water, etc.

Reverse above procedures for reassembly. Use of a non flammable lubricant on the mounting studs is recommended before reinstalling the washer-face nuts. Tighten washer-face nuts in a random pattern and torque each nut 65 to 75 in-lbs (5.50 to 6.25 ft-lbs). The amount of scaling depends upon the local water conditions and the severity of use. The tubes should be inspected after 60 days of operation and again after 120 days of operation. A routine inspection schedule can be developed based on the amount of scale deposits found in the tubes.

## Burner inspection and cleaning:

With the heater on, remove the front door and make a visual inspection of the pilot and main burners. A mirror, placed on the heater bottom below the burners, may be necessary to view the main burner flames. The main burner flames should be about 8-10 inches in height and should not "lift" off the ports of the burners. See Figure 45. The flames should have well-defined mantles with the bottom 2-3 inches blue changing over to yellow upwards. A totally yellow or "lazy" flame may be an indication of a fuel-rich mixture due to restricted air openings, including spider nests in the burners and/or orifices.



All burners should be brushed with a wire brush and be free of lint, dust and spider webs before each season of use. Burners with damaged ports must be replaced. See Figure 46 for pilot flame characteristics (millivolt heater only).

## Burner assembly removal: (See Figure 47.)

1. Shut off water, gas and electricity to the pool heater.
2. Turn gas valve knob to "OFF" and set system switch to "OFF".
3. Remove wires and gas line from the heater gas valve. Remove the electrode/sensor wire (elec-

- tronic ignition only) from the ignition module.
4. Remove the three bolts securing the burner mounting bracket to the intermediate panel.
5. Lift burner assembly up and out of the three retaining hooks on the intermediate panel and pull assembly out of heater.

## Burner assembly installation: (See Figure 47.)

1. Guide burner assembly through intermediate panel. Lift up, and place burner mounting bracket on the three retaining hooks on the intermediate panel.
2. Secure the burner mounting bracket to the intermediate panel with three bolts.
3. Reconnect wires to the gas valve and ignition module (electronic ignition only) according to the wiring diagram.
4. Reconnect gas line to gas valve. Turn on gas and check for gas leaks. Use a soapy water solution. Bubbles forming indicate a leak. Never use an open flame (match, lighter, torch, etc.) as a leak could cause explosion or injury.
5. To start heater, follow the lighting instructions on the label inside the cabinet.

## Gas valve replacement: (See Figure 47.)

**▲WARNING:** Do not attempt to repair gas valve. If found to be defective replace entire valve. Attempts to repair it will void the warranty.

1. Follow "Burner Assembly Removal" procedure.
2. Disconnect wires to gas valve including pilot generator wires (millivolt only).
3. Disconnect pilot tubing from gas valve (millivolt only).
4. Unscrew gas valve from manifold pipe.
5. Replace gas valve. Only use liquid pipe dope on the male threads of the manifold. Do not place pipe dope on the first two threads of the pipe.
6. Reconnect wires to gas valve, including pilot generator wires and pilot tubing (millivolt only).
7. Follow "Burner Assembly Installation Procedure".

## Pilot assembly removal: (See Figure 48.)

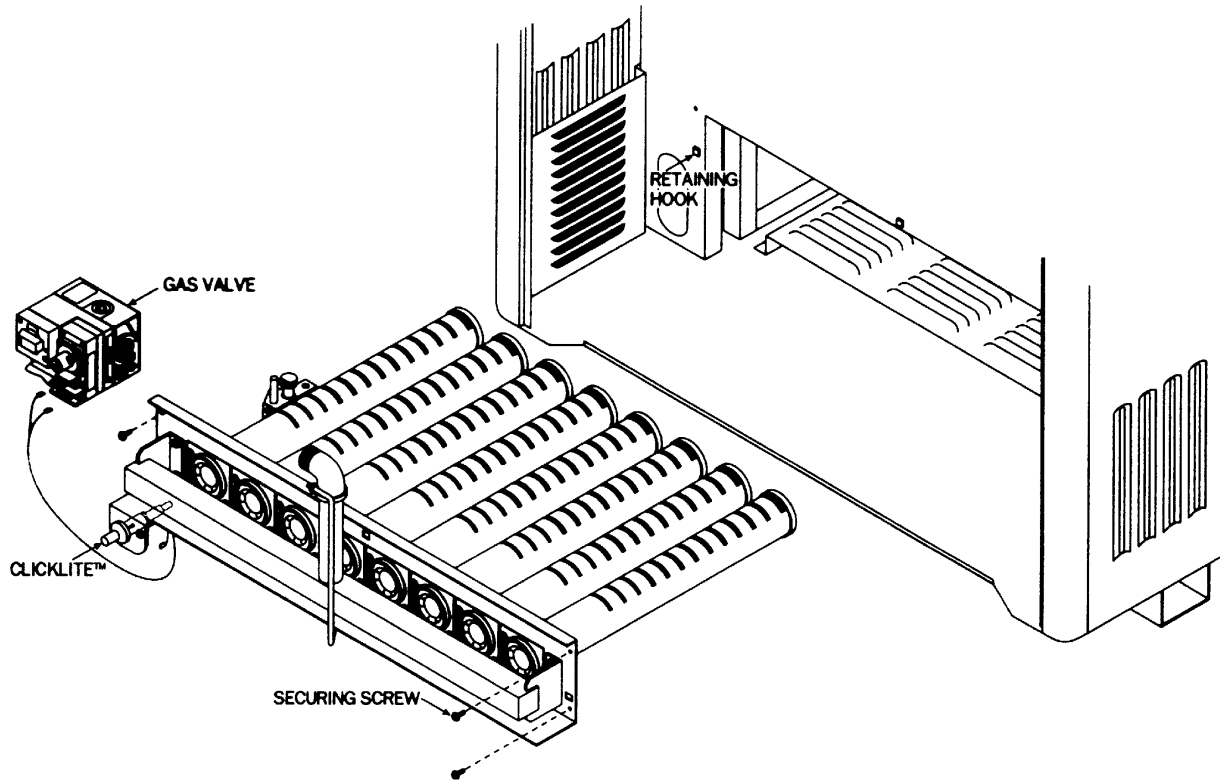
(Millivolt Heater Only)

1. Disconnect pilot generator wires and pilot tubing from gas heater gas valve.
2. Disconnect electrode ignitor wire from Clicklite™.
3. Remove screw securing pilot bracket to burner mounting bracket. Lower pilot bracket to clear locating stud and remove assembly from heater.
4. To service or replace pilot remove two screws securing pilot to pilot bracket and disconnect pilot tubing from pilot.

**▲CAUTION:** Never enlarge the opening in the pilot orifice.

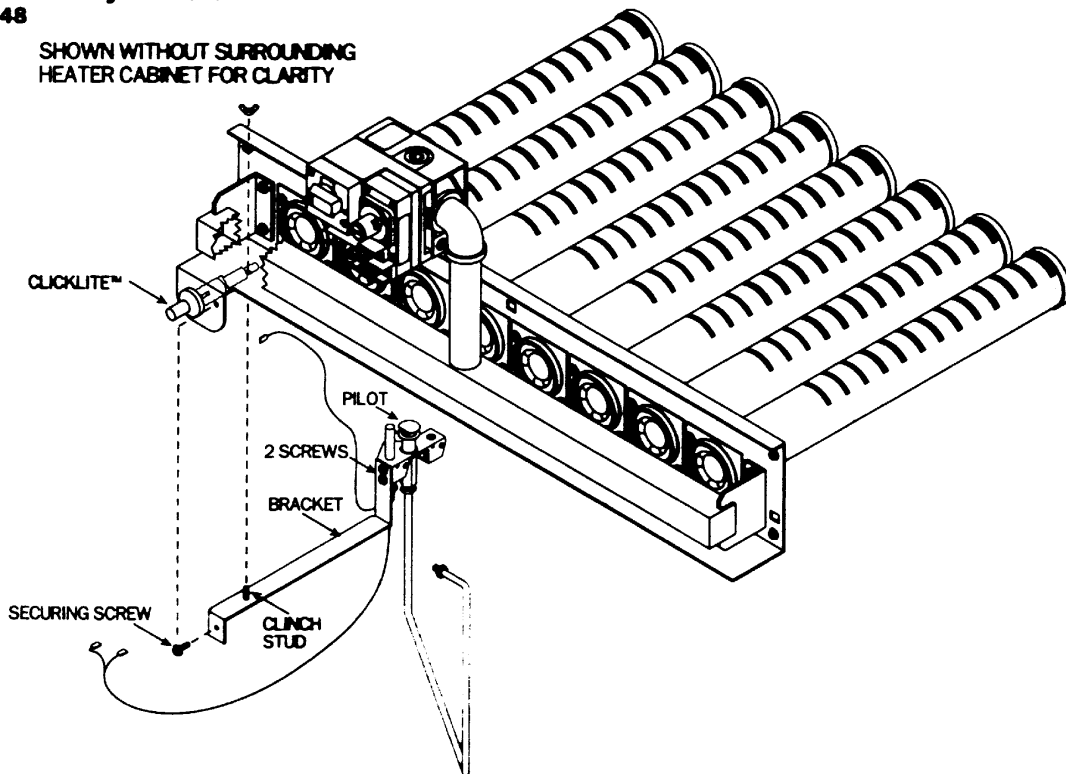
5. Reverse the above procedures for installation. Be sure there are no gas leaks at pilot tubing connections.

**Burner Removal**  
**Figure 47**

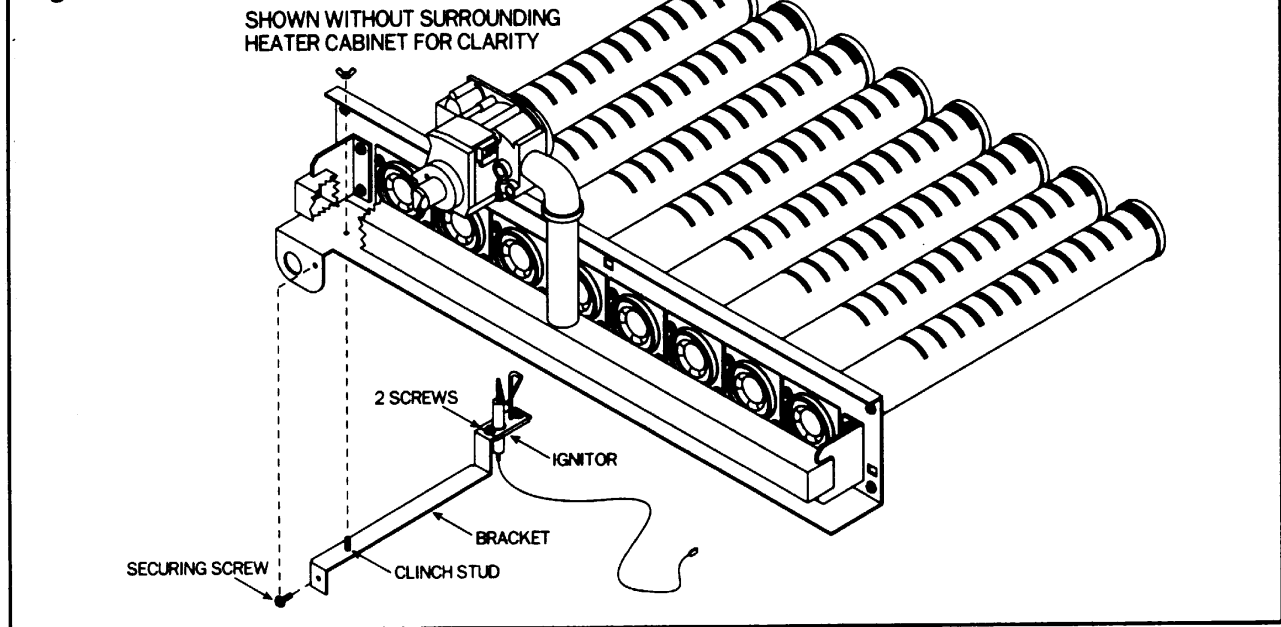


**Pilot Assembly Removal**  
**Figure 48**

SHOWN WITHOUT SURROUNDING  
HEATER CABINET FOR CLARITY



## Ignitor Assembly Removal Figure 49



## Ignitor assembly removal: (Electronic Ignition Heater Only) (See Figure 49.)

1. Disconnect the electrode/sensor wire from the ignition module.
2. Remove screw securing ignitor bracket to clear locating stud and remove assembly from heater.
3. To service or replace ignitor remove two screws securing ignitor to ignitor bracket and disconnect electrode ignitor wire.
4. Recheck spark gap ( $\frac{9}{64}$ ").
5. Reverse the above procedures for installation.

## Main burner orifices:

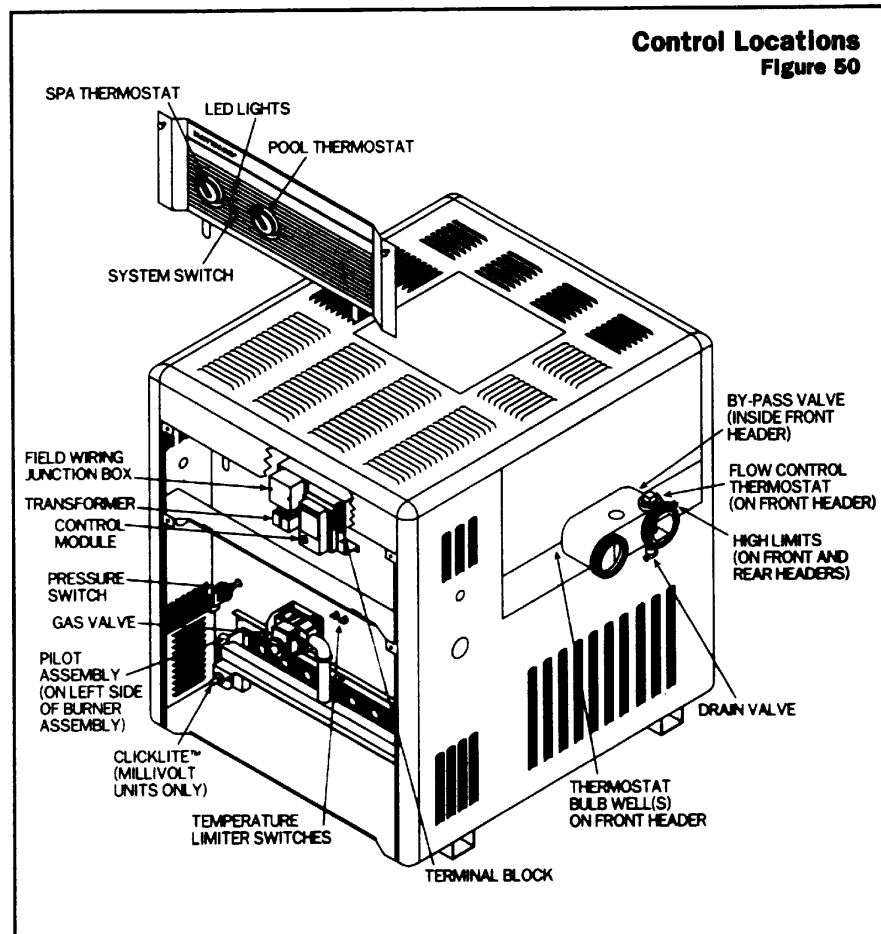
The main burner orifices can be removed from the manifold with a  $\frac{7}{16}$ " wrench without having to remove the burner assembly from the heater. After cleaning or replacing orifices re-install in manifold being careful not to overtighten as a leak may result.

**CAUTION:** Do not enlarge orifice holes.

## Gas conversion:

The factory installed gas train, where appropriate, may be changed from natural gas to propane or

## Control Locations Figure 50



from propane to natural gas, using the appropriate conversion kit, available from the factory. Gas conversions are to be performed only by a qualified agency. Detailed instructions are included with each kit.

**▲NOTE:** Conversion kits are not available in Canada. Conversions must be done by the conversion station at Hayward Pool Products Canada, Inc.

## Control Locations:

The following sections give a brief overview of the various heater controls and service/replacement procedures. The text describes the intended purpose of the controls. See Figure 50 for general location of the controls.

## Electrical wiring:

**▲NOTE:** If it is necessary to replace any of the original wiring, it must be replaced with wiring suitable for 105°C (Style 1015 or 1230) or its equivalent.

## System Switch:

A two-way "ON/OFF" rocker switch is provided for single thermostat heaters and a three-way "POOL/OFF/SPA" rocker switch is provided on dual thermostat heaters.

### To replace system switch:

1. Turn pump and main gas valve off. Turn thermostat to lowest setting.
2. Turn electricity off on electronic ignition heaters.
3. Open control panel and remove wires from system switch.
4. Press the ends of system switch in and remove from panel.
5. Replace system switch and reverse above procedure.

## Temperature controls:

### Millivolt Heaters

Millivolt heaters are manufactured with a mechanical thermostat models.

### To replace thermostat:

1. Turn pump, main gas valve and system switch off.
  2. Remove thermostat knob, open control panel and remove right side access panels.
  3. Remove the thermostat bulb from the front header.
- ▲ NOTE:** Using needle nose pliers to pull out copper strip makes bulb removal easier. Pull thermostat capillary tube and bulb through the oval slot in the intermediate panel.
- ▲ CAUTION:** Be careful not to crimp capillary tube as it could break from mishandling.
4. Remove wires from thermostat.
  5. Remove screws that secure thermostat mounting bracket to control panel.
  6. Replace thermostat and reverse above procedures.

## Electronic Heaters

Electronic heaters are manufactured with an integrated thermostat and ignition control that operates the heater. The replacement part is available as an assembly only.

To replace control panel assembly:

1. Turn pump, main gas valve and electricity off.
2. Unplug wires from rear circuit board.
3. Remove four screws retaining the plastic bezel to the sheet metal.
4. Pull entire assembly through the front panel.
5. Replace control panel assembly and reverse above procedures.

## High limits:

The high limit is an automatically resetting safety device wired in series with the thermostat, pressure switch, temperature limiter switches and main gas valve. See Figure 51. The pool heater is equipped with two automatic high limits. The limits are located on the front and rear headers.

**▲CAUTION:** The two limit switches have different temperature settings (check Parts List).

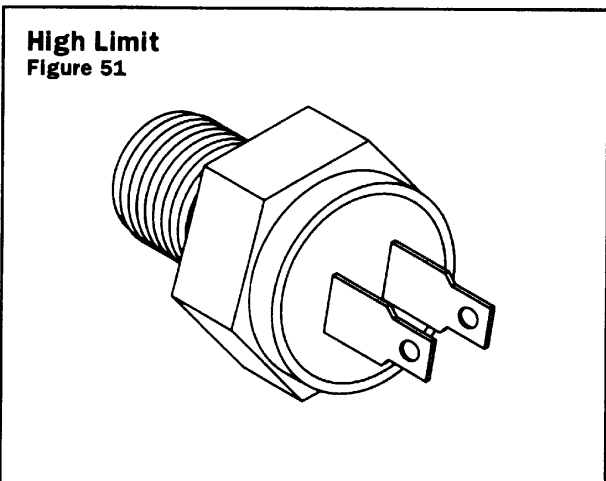
If the water temperature at the location of the limit should exceed the limit set point, the main gas valve will shut off gas supply to the burners.

An erratic high limit is often an indication of a problem with water flow. Reduced flow may be caused by:

1. Clogged filter or strainer.
2. Excessive flow through the external bypass valve if one is used.
3. Lime scale accumulation in the heat exchanger.

### To replace high limits:

1. Turn pump, main gas valve and system switch off.
2. Turn electricity off on electronic ignition heater.
3. Drain heat exchanger of all water.
4. Remove side access panels.
5. Remove wires from high limits.
6. Unscrew the defective high limit.
7. Replace the high limit and reverse above procedures.



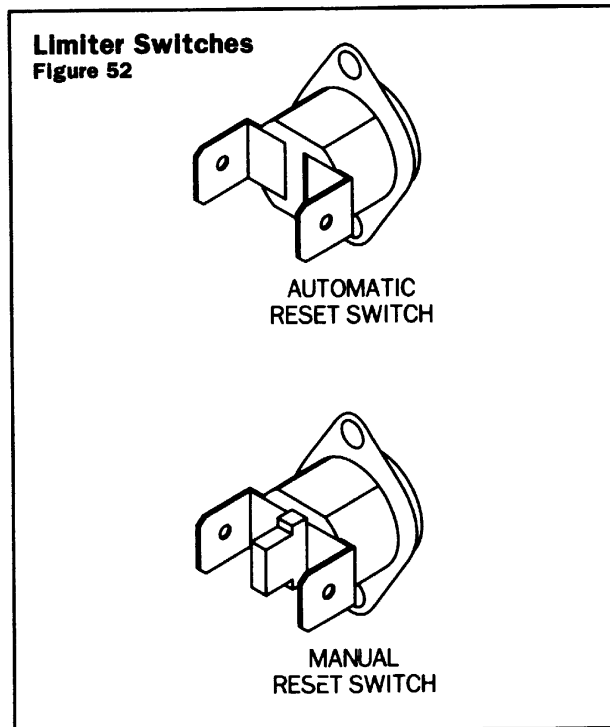
## Temperature limiter switches:

These controls will shut the heater off in the event that temperatures outside the combustion chamber and inside the heater cabinet become too hot. Possible causes for switch function include downdraft wind conditions or a blocked vent or draft hood. Technician should evaluate unit to determine cause.

The left switch is an automatic reset type while right backup switch is manual reset. See Figure 52. The manual reset switch is resettable by removing the heater front door and then pressing the center button on the switch which will reactivate it. Replace the front door and restart heater.

### To replace switch(s):

1. Turn pump, main gas valve and system switch off.
2. Turn electricity off on electronic ignition heater.
3. Remove heater front door.
4. Remove the two wires and screws securing the switch(s).
5. Replace with new switch(s) and reverse the above procedures.



## Pressure switch:

The pressure switch (Figure 53) is preset at the factory for deck level installations. When the heater is located below the level of the spa or pool, the pressure switch may require an adjustment to compensate for the no-flow static head. The following procedure is recommended when the switch needs adjustment and/or is replaced:

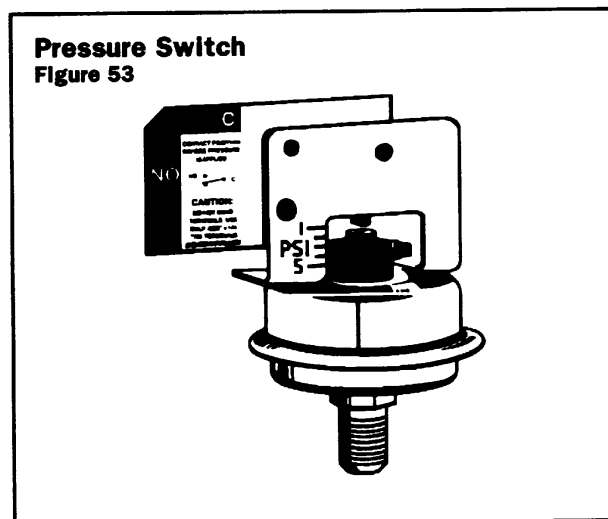
1. Be sure the filter is clean before making the adjustment.

2. With the pump and heater system switch on, turn the adjustment dial on the pressure switch clockwise, until a click is heard from the gas valve.
3. Turn the adjustment dial counterclockwise 1/4 turn.
4. Turn the pump off and on several times. The heater should shut off immediately when pump is shut off. If the heater fails to shut down with pump, repeat the steps above until the switch is adjusted properly.

**CAUTION:** Do not operate the pool heater without the function of a properly adjusted pressure switch or flow switch.

### To replace pressure switch:

1. Turn pump, main gas valve and system switch off.
2. Turn electricity off on electronic ignition heater.
3. Open front header drain and drain heat exchanger of all water.
4. Remove heater front door.
5. Remove wires from pressure switch.
6. Using two 1/2" open end wrenches disconnect the pressure switch from pressure switch tube.
7. Replace pressure switch and reverse above procedures. Use new sealant on pressure switch threads before reinstalling.
8. Check for any possible leaks after start-up of unit.

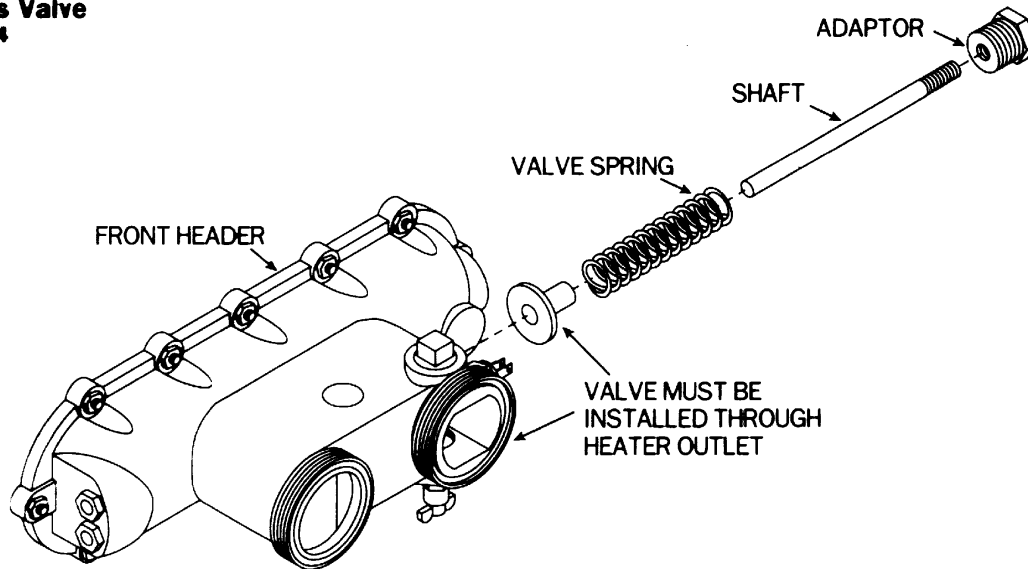


## By-pass valve:

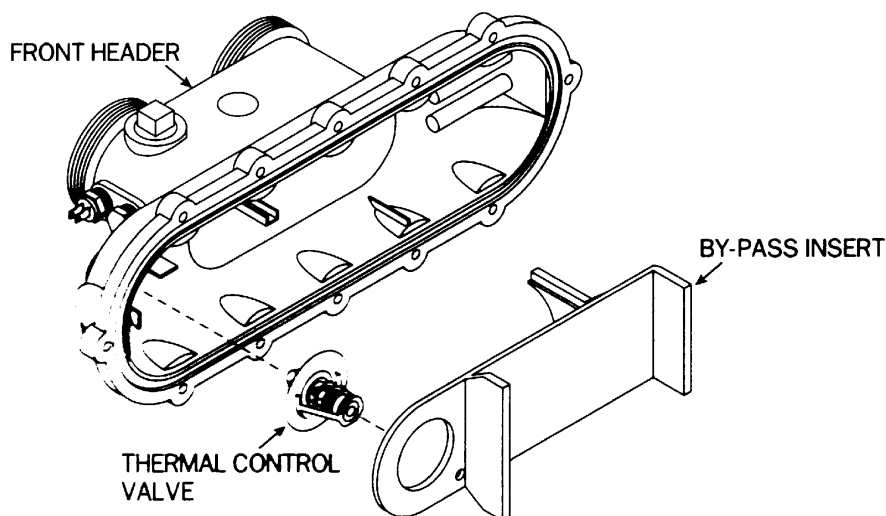
The front header houses an automatic by-pass valve. The valve provides proper water flow through the heat exchanger as the filter system water pressure varies. The valve assembly consists of a plunger, a spring and a shaft. The plunger glides along the shaft as system water pressure compresses the spring. Very high acid or chlorine concentrations may damage the valve parts or very hard water may leave deposits on the shaft causing the valve to stick. If the valve sticks open, very little water will pass through the heat exchanger causing overheating and possibly opening the high limit



**By-pass Valve**  
Figure 54



**Thermal Control Valve**  
Figure 55



contacts. If the valve sticks closed, too much water will flow throughout the heat exchanger causing condensation to occur. Either situation may result in insufficient heating of the pool or spa.

**To replace valve parts:**

Drain heat exchanger of all water. The valve may be removed as shown in Figure 54. The plug on the right side of the front header is unscrewed and the shaft and spring are pulled out. The plunger can be removed through the outlet port of the header after the pool plumbing is disconnected from the heater. Re-install by reversing above procedure.

**Thermal control valve:**

The front header also houses a thermal control valve. This valve helps to control condensation off the heat exchanger by not allowing water to flow

through the heat exchanger until the water reaches a temperature of 105°F. Very hard water may leave deposits on the valve plunger causing the valve to stick. If the valve sticks open, cold water can flow through the heat exchanger causing condensation to occur. If the valve sticks closed, very little water will flow through the by-pass hole which will open the high limit contacts on the rear header.

**To replace thermal control valve:**

1. Follow the instructions on page 25 for front header removal only.
2. Remove the plastic by-pass insert from front header.
3. Remove the thermal control valve from front header.
4. Test the thermal control valve by placing it into a hot water bath (above 108°F) and watching

- for movement that compresses the spring and opens the annular area in the center of the valve. If this action does not take place, replace the valve with a new one that has been tested as above. See Figure 55.
- Reverse the procedures for reassembly.

- Disconnect two slip-on terminal wires from the transformer.
- Detach main power wires from transformer.
- Remove the screws securing transformer to the mounting bracket and remove transformer.
- Replace the transformer and reverse the above procedures.  
Rewire according to the wiring diagram on the heater.

## Thermistor:

The thermistor monitors the return water temperature.

### To replace pressure thermistor:

- Turn pump, main gas valve and heater power off.
- Turn electricity off.
- Drain heat exchanger of all water.
- Remove side access panels.
- Disconnect thermistor leads from circuit board.
- Unscrew the thermistor.
- Replace the thermistor and reverse above procedures.

## Transformer : (Electronic ignition only)

The transformer reduces the main power supply of 120V or 240V down to 20 - 26 volts. This is the voltage range in which the heater operates.

### To replace the transformer:

- Turn pump, main gas valve, system switch and main power off.
- Remove two screws and open front control panel.

# Section VII. Troubleshooting

## General:

**▲NOTE:** These instructions are intended for the use of qualified personnel trained and experienced in the installation and servicing of this type of heating equipment and its related system components. Some states may require installation and service personnel to be licensed. Persons not qualified should not attempt to repair this equipment according to these instructions.

**▲WARNING:** Never leave a jumper wire connected to keep a heater running. A jumper wire should be used as a test device only, as it is not a cure for a defective control.

**▲CAUTION:** Never allow the main burner to operate more than five seconds with the filter system shut off. Serious damage to the heater will result. Anytime the heater bangs or knocks, it indicates a water void or lack of water flow. Shut off heater immediately if this occurs.

## ▲Wiring:

As a preliminary check, make sure that all wire connections are clean and tight and that all wiring conforms to the wiring diagrams. See Figures 30 and 33.

# Troubleshooting Chart

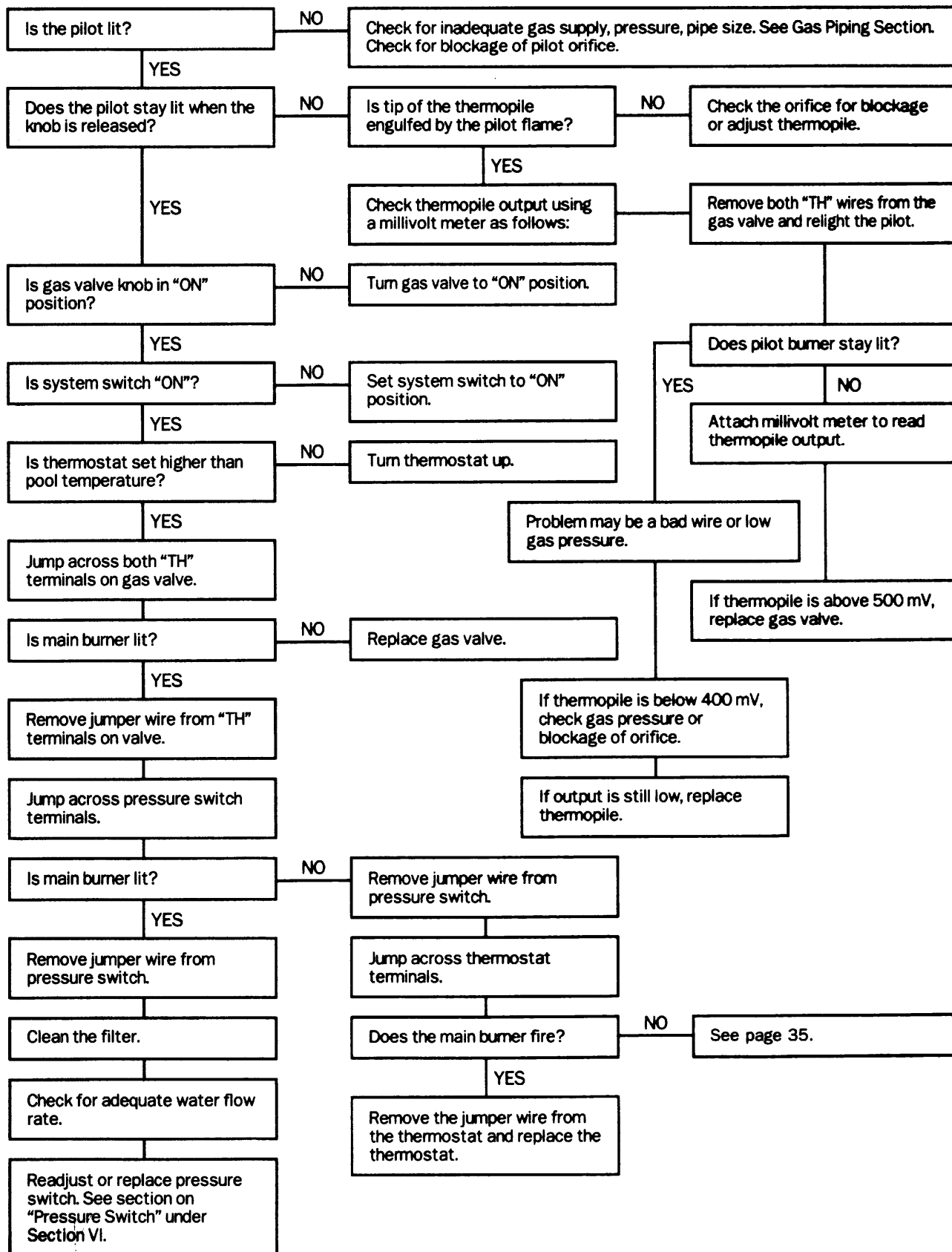
This chart may be used as a quick reference guide for maintenance and service problems. FOR QUALIFIED SERVICE PERSONNEL ONLY.

| <b>PROBLEM</b>  | <b>POSSIBLE CAUSES</b>   | <b>REMEDY</b>   |
|---|--|---|
| HEATER WILL NOT FIRE UP.  |  | See Troubleshooting Procedure That Pertains To Your Heater, (Millivolt or Electronic Ignition). |
| HEATER CYCLING ON AND OFF CONTINUOUSLY.                         | Time Clock Set Wrong.  | Reset Clock.  |
|   | Filter Is Dirty.   | Clean Filter.   |
|   | External By-Pass Out Of Adjustment, (Where Used).                  | Adjust By-Pass.   |
|   | Pressure Switch Out Of Adjustment.                                 | Adjust Pressure Switch.   |
| SOOTING OF THE HEAT EXCHANGER.                                  | High Water Flow Rates (Above 125 GPM).                             | Reduce Flow Rate By Adding A Manual By-Pass Valve.  |
|   | Internal By-Pass Stuck Open.                                       | Check For Excessive Hardness Or Acidity That May Have Damaged Valve. Repair Or Replace.         |
|   | Lack Of Air For Combustion.  | Provide Adequate Air. See Venting Installation.   |
|   | Low Fuel Volume.   | Correct With Proper Gas Line Sizing.  |
|   | Improper Venting.  | Provide By Proper Venting. See Section II.  |
|   | Burner Inlet Throat Blocked. High Pressure /Low Pressure.          | Clean Burners Adjust Gas Pressure.  |
|   | Collapsed Combustion Chamber.                                      | Replace Combustion Chamber.   |
| PILOT OUTAGE (MILLIVOLT ONLY).                                  | Low Gas Pressure.  | Increase Pressure.  |
|   | Restricted Gas Flow.   | Clean Pilot Orifice Or Tubing.  |
|   | Weak Thermopile.   | Replace Thermopile.   |
| JACKET SURFACE TEMPERATURES EXCESSIVE.                          | Broken Refractory.   | Replace Refractory.   |
| LIME SCALE.   | By-Pass Valve Stuck Open.  | Inspect By-Pass Movement And Repair.  |
|   | Thermal Control Valve Not Working.                                 | Check For Movement. Replace If No Movement.   |
|   | Water Chemistry Out Of Balance.                                    | See Section On Pool Water Chemistry.  |
|   | Unecessary External Manual By-Pass Installed Or Out Of Adjustment. | Close Manual By-Pass Valve And Remove Or Adjust Properly. See Section On By-Pass Valve.         |
| HEATER WILL NOT BRING POOL TO DESIRED TEMPERATURE.              | Gas Line Too Small.  | Check Gas Pipe Size In Figure 20.   |
|   | Heater Too Small.  | Check Sizing Chart. Install Larger Heater If Necessary.   |
|   | Time Clock Is Set Incorrectly.                                     | Reset Time Clock.   |
|   | Filter Not Cleaned Often Enough.                                   | Clean Filter More Frequently.   |
|   | Thermostat Out Of Adjustment Or Defective.                         | Test Thermostat. Replace If Necessary.  |
|   | Pressure Switch Inoperative.                                       | Test Pressure Switch. Replace If Necessary.   |
| LEAKING HEAT EXCHANGER.   | Overly Acid Water Or Freeze-Up.                                    | Replace Heat Exchanger And Maintain Water Chemistry Properly.                                   |
| LEAKING AT WELL.  | Overly Acid Water Or Freeze-Up.                                    | Replace Well. Maintain Water Chemistry.   |
| LEAKING AT UNION NUT CONNECTIONS. OVERHEATED O-RINGS (BRITTLE). | Heater Continues To Run After Pump Shuts Off.                      | See Pressure Switch Adjustment. Replace Leaking O-Rings.  |
|   | Refractory Damage.   | Replace Refractory.   |

# Heater Will Not Fire - (Millivolt)

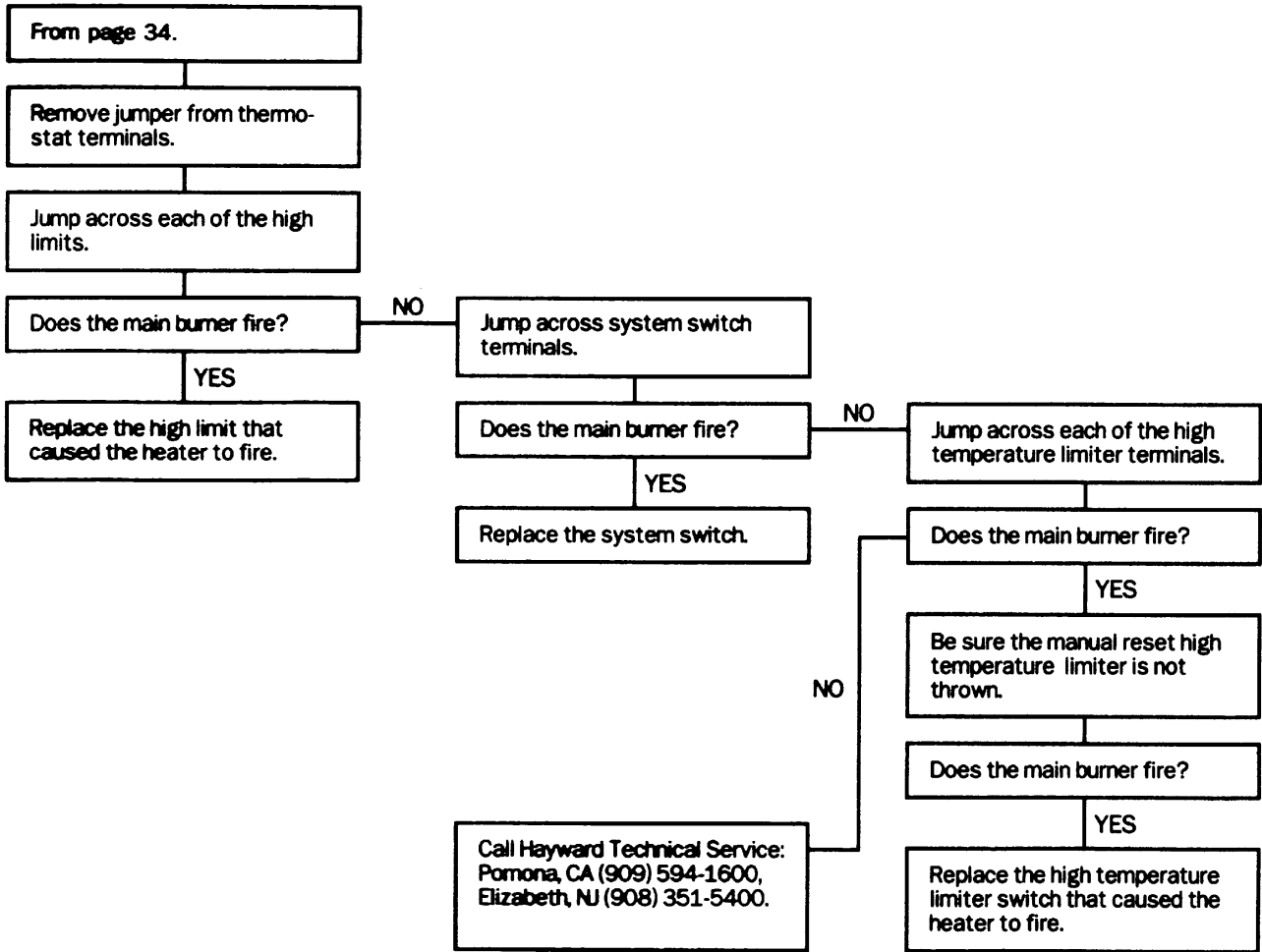
## ▲WARNING: For qualified service personnel ONLY!

This procedure assumes that the filter system is operating. Jumper wires are used for system checkout only. Remove all jumper wires following system checkout or damage to heater may result.



**▲WARNING: For qualified service personnel ONLY!**

This procedure assumes that the filter system is operating. Jumper wires are used for system checkout only. Remove all jumper wires following system checkout or damage to heater may result.



# Troubleshooting Chart (Electronic)

## H-Series Heater Diagnostic Guide

| Code   | Fault                                      | Diagnosis Step  | Remedy  |
|--|--|---|---|
| LO   | Water Pressure Switch Fault                | 1. Verify that pump is running.   | This is a normal display when the pump is off. Turn pump on. LO code should clear. If LO does not clear, proceed to step 2.   |
|  |  | 2. Check for faulty wiring or connection.   | Inspect water pressure switch wiring. Ensure wire harness terminals are securely fastened to spade terminals. If OK, proceed to step 3.   |
|  |  | 3. Verify state of water pressure switch contacts.  | Remove wire leads from switch and jumper leads. Measure continuity across switch with pump on. If closed, LO code is not caused by water pressure switch fault. If open, proceed to step 4. Remove jumper from wire leads and reconnect wire leads.   |
|  |  | 4. Ensure that low pump pressure does not exist.  | Clean filter or clear blockages. Check position of valves in plumbing system. If OK, proceed to step 5.   |
|  |  | 5. Check for correct water pressure switch setting.   | Adjust switch setting per installation manual. If LO does not clear, proceed to step 6.   |
|  |  | 6. Water pressure switch is defective.  | Replace water pressure switch.  |
|  | Automatic Temperature Limiter Switch Fault | 1. Check for faulty wiring or connection.   | Inspect switch wiring. Ensure wire harness terminals are securely fastened to spade terminals. If OK, proceed to step 2.  |
|  |  | 2. Verify state of temperature limiter switch's contacts.   | Remove wire leads from switch and jumper leads. Operate heater. Measure continuity across switch. If closed, LO code is not caused by temperature limiter switch fault. If open, proceed to step 3 for outdoor units, and step 4 for indoor units. Remove jumper from leads and reconnect leads to temperature limiter.   |
|  |  | 3. Check for high winds or severe downdrafting.   | Check for high winds or severe downdrafts. If present, install HWS High Wind Stack. Otherwise proceed to step 5.  |
|  |  | 4. Check for restricted or blocked vent on indoor units.  | Check for restricted or blocked vent. If OK, proceed to step 5.   |
|  |  | 5. Check for sooted or damaged heat exchanger.  | Check for sooted or damaged heat exchanger. If OK, proceed to step 6.   |
|  |  | 6. Temperature limiter switch is defective.   | Replace temperature limiter switch.   |
|  | Manual Temperature Limiter Switch Fault    | 1. Check for faulty wiring or connection.   | Inspect switch wiring. Ensure wire harness terminals are securely fastened to spade terminals. If OK, proceed to step 2.  |
|  |  | 2. Verify state of temperature limiter switch's contacts.   | Remove wire leads from temperature limiter switch and jumper leads. Operate heater. Measure continuity across temperature limiter switch. If closed, LO code is not caused by temperature limiter switch fault. If open, proceed to step 3 for outdoor units, and step 4 for indoor units. Remove jumper from leads and reconnect leads to temperature limiter. |
|  |  | 3. Check for high winds or severe downdrafting.   | Check for high winds or severe downdrafts. If present, install HWS High Wind Stack. Otherwise proceed to step 5.  |
|  |  | 4. Check for restricted or blocked vent on indoor units.  | Check for restricted or blocked vent. If OK, proceed to step 5.   |
|  |  | 5. Check for sooted or damaged heat exchanger.  | Check for sooted or damaged heat exchanger. If OK, proceed to step 6.   |
|  |  | 6. Reset switch.  | Reset switch. If switch trips again, proceed to step 7.   |
|  |  | 7. Temperature limiter switch is defective.   | Replace temperature limiter switch.   |
|  | Limit Switch Fault                         | 1. Check for faulty wiring or connection.   | Inspect limit switch wiring. Ensure wire harness terminals are securely fastened to spade terminals. If OK, proceed to step 2.  |
| 2. Verify state of temperature limits' contacts. |  | Remove wire leads from limit switches and jumper leads. Operate heater. Measure continuity across limit switches. If closed, LO code is not caused by temperature limit switch fault. If open, proceed to step 3. Remove jumper from leads and reconnect leads to temperature limits. |   |
| 3. Verify that water flow is adequate.           |  | Verify that water flow rate to heater is above minimum required (25 GPM). If OK, proceed to step 4.   |   |
| 4. Temperature limit switch is defective.        |  | Replace limit switch.   |   |

# Troubleshooting Chart

## H-Series Heater Diagnostic Guide

| Code | Fault                                     | Diagnosis Step   | Remedy  |
|------|---|--|---|
| BO   | Bypass Operation                          | 1. Check state of #2 dip switch on back of control module. | This is a normal display when heater is being controlled by a remote thermostat. No service is required. If heater is not being controlled by remote thermostat, change setting of #2 dip switch to "Off" position.   |
| IF   | Ignition Failure                          | 1. Ensure gas supply shutoff valves are open.              | Ensure that main gas shutoff installed adjacent to heater is open. Ensure that knob on gas valve inside unit is in "On" position. If OK, proceed to step 2.   |
|      |   | 2. Check for low gas supply pressure.                      | Ensure inlet gas supply pressure exceeds minimum value indicated on rating plate. If OK, proceed to step 3.   |
|      |   | 3. Check for faulty igniter wiring or connection.          | Inspect igniter wiring. Ensure igniter plug is securely plugged into back of control module. If OK, proceed to step 4.  |
|      |   | 4. Check for faulty gas valve wiring or connection.        | Inspect gas valve wiring. Ensure wire harness terminals are securely fastened to spade terminals on gas valve. If OK, proceed to step 5.  |
|      |   | 5. Check for gas valve failure or gas valve relay failure. | 1. Measure voltage across gas valve during trial for ignition. If 24 vac is present and gas valve does not open, gas valve is defective. Replace gas valve.<br>2. If 24 vac is not present, gas valve relay on control module is defective. Replace control module. |
| SF   | Temperature Sensor Input Failure          | 1. Check for faulty wiring or connection.                  | Inspect sensor wiring. Ensure sensor is plugged into back of control module. If OK, proceed to step 2.  |
|      |   | 2. Sensor is defective.                                    | Replace temperature sensor.   |
| HS   | Maximum Return Water Temperature Exceeded | 1. Pool water temperature exceeds 104° F.                  | Verify set point setting of remote thermostat is at or below 104° F. If set point setting of remote thermostat is OK, or if heater is not configured for remote thermostat proceed to step 2.   |
|      |   | 2. Verify that water flow is adequate.                     | Verify that water flow rate to heater is above minimum required.  |
| HF   | Flame Sense Fault                         | 1. Flame sense failure.                                    | Replace igniter.  |

# Parts List - Millivolt

| ITEM NO. | PART NO.      | DESCRIPTION                       | ITEM NO. | PART NO.      | DESCRIPTION                       |
|----------|---------------|-----------------------------------|----------|---------------|-----------------------------------|
| 1.       | HAXJKT1150    | Jacket Top Asy. - 150             | 35.      | CHXTSW1930    | System Switch Single              |
| 1.       | HAXJKT1200    | Jacket Top Asy. - 200             | 35.      | CHXTSW1931    | System Switch Dual                |
| 1.       | HAXJKT1250    | Jacket Top Asy. - 250             | 36.      | HAXCPA1150    | Control Panel Asy. - 150 MV       |
| 1.       | HAXJKT1300    | Jacket Top Asy. - 300             | 36.      | HAXCPA1200    | Control Panel Asy. - 200 MV       |
| 1.       | HAXJKT1350    | Jacket Top Asy. - 350             | 36.      | HAXCPA1250    | Control Panel Asy. - 250 MV       |
| 1.       | HAXJKT1400    | Jacket Top Asy. - 400             | 36.      | HAXCPA1300    | Control Panel Asy. - 300 MV       |
| 1.       | HAXJKT1251*   | Jacket Top Asy. - 250             | 36.      | HAXCPA1350    | Control Panel Asy. - 350 MV       |
| 1.       | HAXJKT1301**  | Jacket Top Asy. - 300             | 36.      | HAXCPA1400    | Control Panel Asy. - 400 MV       |
| 1.       | HAXJKT1351*** | Jacket Top Asy. - 350             | 36.      | HAXCPA2150^   | Control Panel Asy. - 150 MV       |
| 1.       | HAXJKT1401†   | Jacket Top Asy. - 400             | 36.      | HAXCPA2200^   | Control Panel Asy. - 200 MV       |
| 2.       | HAXDHO1930    | DHO Insert                        | 36.      | HAXCPA2250^   | Control Panel Asy. - 250 MV       |
| 3.       | DHI150        | Indoor Drafthood - 150            | 36.      | HAXCPA2300^   | Control Panel Asy. - 300 MV       |
| 3.       | DHI200        | Indoor Drafthood - 200            | 36.      | HAXCPA2350^   | Control Panel Asy. - 350 MV       |
| 3.       | DHI250        | Indoor Drafthood - 250            | 36.      | HAXCPA2400^   | Control Panel Asy. - 400 MV       |
| 3.       | DHI300        | Indoor Drafthood - 300            | 37.      | HAXGSV0001    | Gas Valve, MV Natural Gas         |
| 3.       | DHI350        | Indoor Drafthood - 350            | 37.      | HAXGSV0003    | Gas Valve, MV Propane             |
| 3.       | DHI400        | Indoor Drafthood - 400            | 37.      | HAXGSV0004    | Gas Valve, DS Propane             |
| 3.       | HWS150        | High Wind Stack - 150 (Not Shown) | 37.      | HAXGSV0005    | Gas Valve, DS Natural Gas         |
| 3.       | HWS200        | High Wind Stack - 200 (Not Shown) | 38.      | HAXMAN1150    | Gas Manifold - 150                |
| 3.       | HWS250        | High Wind Stack - 250 (Not Shown) | 38.      | HAXMAN1200    | Gas Manifold - 200                |
| 3.       | HWS300        | High Wind Stack - 300 (Not Shown) | 38.      | HAXMAN1250    | Gas Manifold - 250                |
| 3.       | HWS350        | High Wind Stack - 350 (Not Shown) | 38.      | HAXMAN1300    | Gas Manifold - 300                |
| 3.       | HWS400        | High Wind Stack - 400 (Not Shown) | 38.      | HAXMAN1350    | Gas Manifold - 350                |
| 4.       | HAXHXA1150    | Heat Exchanger Asy. - 150         | 38.      | HAXMAN1400    | Gas Manifold - 400                |
| 4.       | HAXHXA1200    | Heat Exchanger Asy. - 200         | 39.      | HAXBRN1930    | Burner Tube                       |
| 4.       | HAXHXA1250    | Heat Exchanger Asy. - 250         | 40.      | HAXBON1930    | Burner Orifice Natural Gas        |
| 4.       | HAXHXA1300    | Heat Exchanger Asy. - 300         | 40.      | HAXBON1931    | Burner Orifice Natural Gas HA     |
| 4.       | HAXHXA1350    | Heat Exchanger Asy. - 350         | 40.      | HAXBOP1932    | Burner Orifice Propane            |
| 4.       | HAXHXA1400    | Heat Exchanger Asy. - 400         | 40.      | HAXBOP1931    | Burner Orifice Propane HA         |
| 5.       | HAXWHA0002    | Rear Wire Harness, MV             | 41.      | HAXBMA1151    | Burner - Manifold Asy. 150 MV NA  |
|          | HAXWHA0006††  | Rear Wire Harness, MV             | 41.      | HAXBMA1152    | Burner - Manifold Asy. 150 MV LP  |
| 6.       | HAXFOR1930    | O-Rings                           | 41.      | HAXBMA1201    | Burner - Manifold Asy. 200 MV NA  |
| 7.       | HAXNIP1930    | Flange Pipe Nipples               | 41.      | HAXBMA1202    | Burner - Manifold Asy. 200 MV LP  |
| 8.       | HAXNUT1930    | Union Nuts                        | 41.      | HAXBMA1251    | Burner - Manifold Asy. 250 MV NA  |
| 9.       | HAXBPI1930    | By-Pass Insert                    | 41.      | HAXBMA1252    | Burner - Manifold Asy. 250 MV LP  |
|          | HAXBPI1931††  | By-Pass Insert                    | 41.      | HAXBMA1301    | Burner - Manifold Asy. 300 MV NA  |
| 10.      | HAXFCT1930    | Flow Control Thermostat           | 41.      | HAXBMA1302    | Burner - Manifold Asy. 300 MV LP  |
| 11.      | CHXPLG1930    | 3/4" NPT Brass Plug               | 41.      | HAXBMA1351    | Burner - Manifold Asy. 350 MV NA  |
| 12.      | HAXBPV1930    | By-Pass Valve                     | 41.      | HAXBMA1352    | Burner - Manifold Asy. 350 MV LP  |
| 13.      | HAXVSG1930    | Valve Spring                      | 41.      | HAXBMA1401    | Burner - Manifold Asy. 400 MV NA  |
| 14.      | HAXSFT1930    | Brass Shaft                       | 41.      | HAXBMA1402    | Burner - Manifold Asy. 400 MV LP  |
| 15.      | HAXADP1930    | Brass Adapter                     | 41.      | HAXBMA1403    | Burner - Manifold Asy. 400 DS NA  |
| 16.      | HAXHLI1930    | Hi-Limit 135° F                   | 41.      | HAXBMA1404    | Burner - Manifold Asy. 400 DS LP  |
| 17.      | HMXHLI2932    | Hi-Limit 160° F                   | 42.      | HAXFAD1150    | Front Access Door Asy. - 150      |
| 18.      | CHXDRV1930    | Drain Valve Asy.                  | 42.      | HAXFAD1200    | Front Access Door Asy. - 200      |
| 19.      | CHXPSA1930    | Pressure Switch Adapter           | 42.      | HAXFAD1250    | Front Access Door Asy. - 250      |
| 20.      | CHXTBW1930    | Bulb Well                         | 42.      | HAXFAD1300    | Front Access Door Asy. - 300      |
|          | HAXTBW1930^▲  | Bulb Well                         | 42.      | HAXFAD1350    | Front Access Door Asy. - 350      |
| 21.      | HAXFHD1930    | Front Header Only                 | 42.      | HAXFAD1400    | Front Access Door Asy. - 400      |
|          | HAXFHD1931††  | Front Header Only                 | 44.      | HAXPLT1931    | Pilot Natural Gas                 |
| 22.      | HAXLAC1930    | Left Access Cover                 | 44.      | HAXPLT1932    | Pilot Propane                     |
| 23.      | HAXURA1930    | Upper Right Access Cover          | 45.      | HAXTRK1930    | Pilot Tube Replacement Kit        |
| 24.      | HAXLRA1931    | Lower Right Access Cover          | 46.      | HAXHOR1930    | Header O-Ring                     |
| 25.      | HAXPHK1930    | Plastic Hardware Kit              | 47.      | HAXRHD1930††† | Rear Header Only                  |
| 26.      | HAXTLK1930    | Temperature Limiters Kit          | 48.      | HAXPLG1931    | 1/4" Brass Plug                   |
| 27.      | HAXTBK1931    | 2-Pole Terminal Block             | 49.      | HAXCIA1930    | Corner Piece Kit (4)              |
| 28.      | HAXPLG1931    | 3/8" Brass Plug                   | 50.      | HAXFHA1930††† | Front Header Asy.                 |
| 29.      | CHXGRL1930    | TA-2 Ground Lug                   |          | HAXFHA1931    | Front Header Asy.                 |
| 32.      | HAXPSA1930    | Pressure Switch Asy.              |          | - HAXRFK1930  | Retro Fit Kit (Not Shown)         |
| 33.      | CHXTST1930    | Thermostat                        |          | - HAXWHA0001  | Wire Harness, Main MV (Not Shown) |
| 34.      | HAXLDK1930    | LED Kit                           |          |               |                                   |

\* - Used, Starting At Serial No. 00421078

\*\* - Used, Starting At Serial No. 00320178

\*\*\* - Used, Starting At Serial No. 00424651

† - Used, Starting At Serial No. 00424851

†† - Used On Heaters, Made After 10/28/00

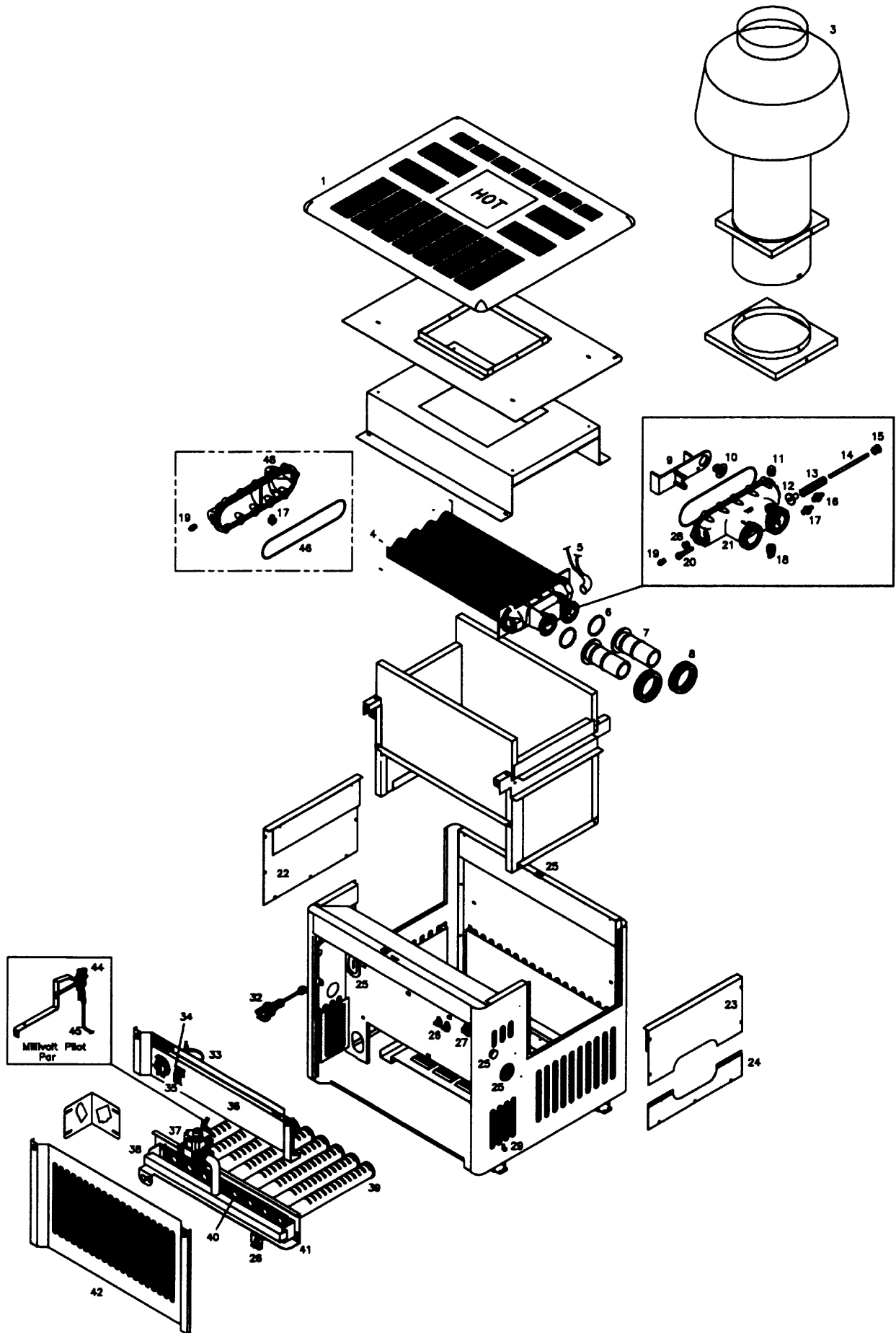
††† - For Heaters, Made Before 10/28/00

▲ - Used On Heaters, Made After 5/8/98

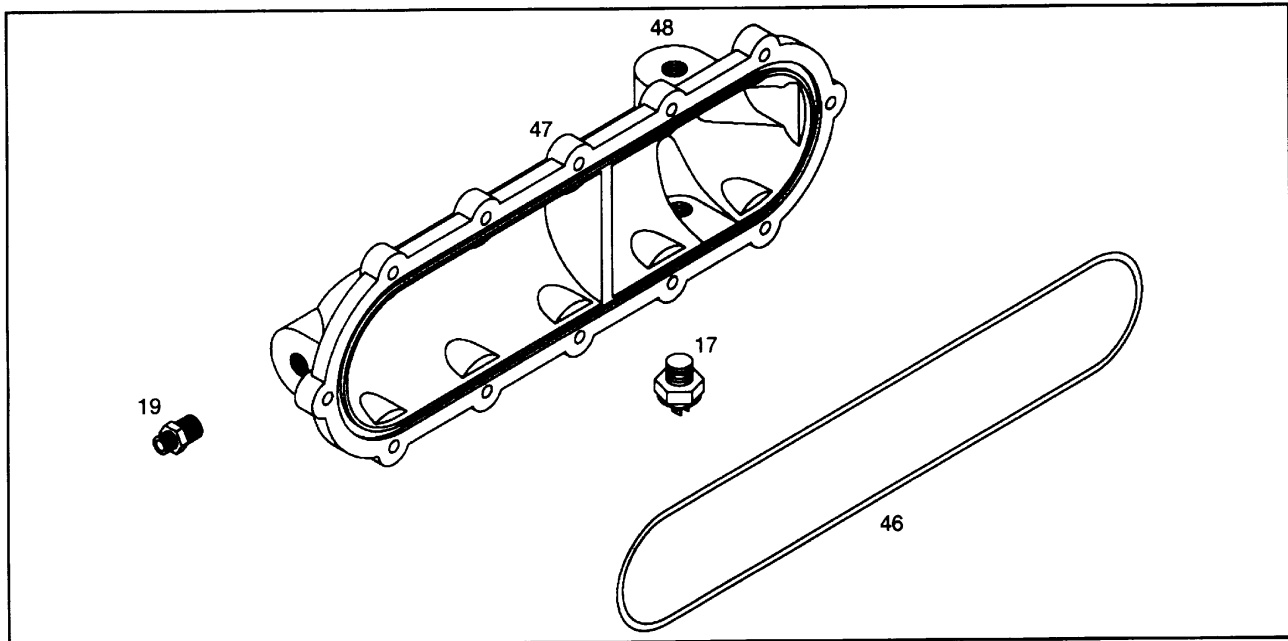
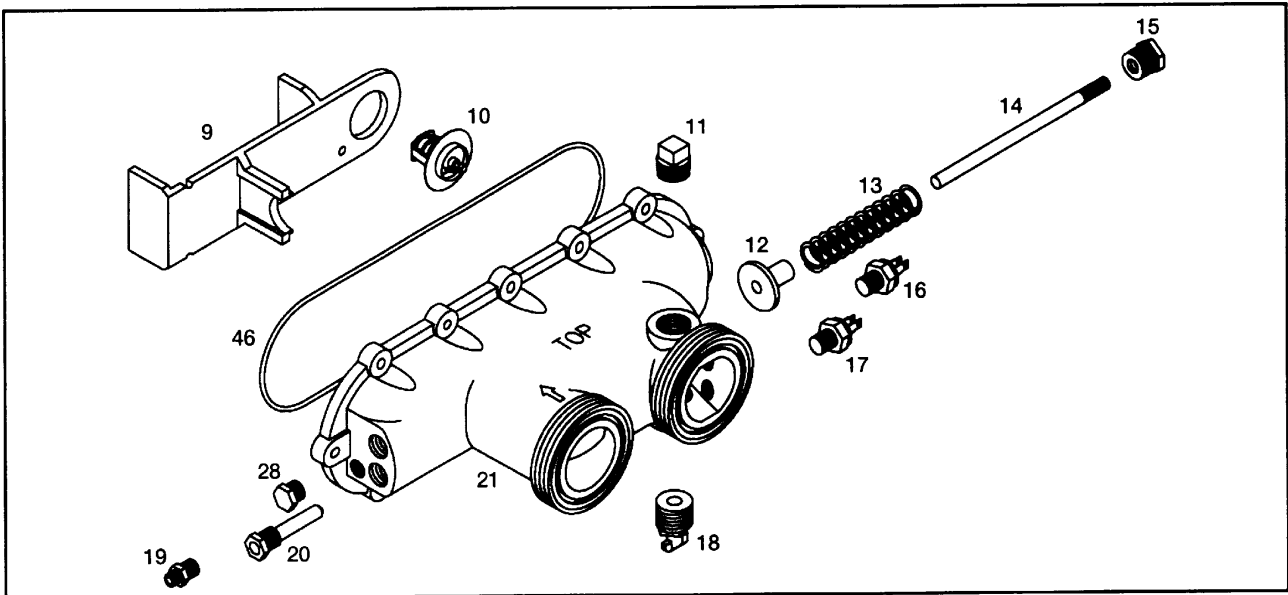
▲▲ - Used On Heaters, Made After 6/1/01



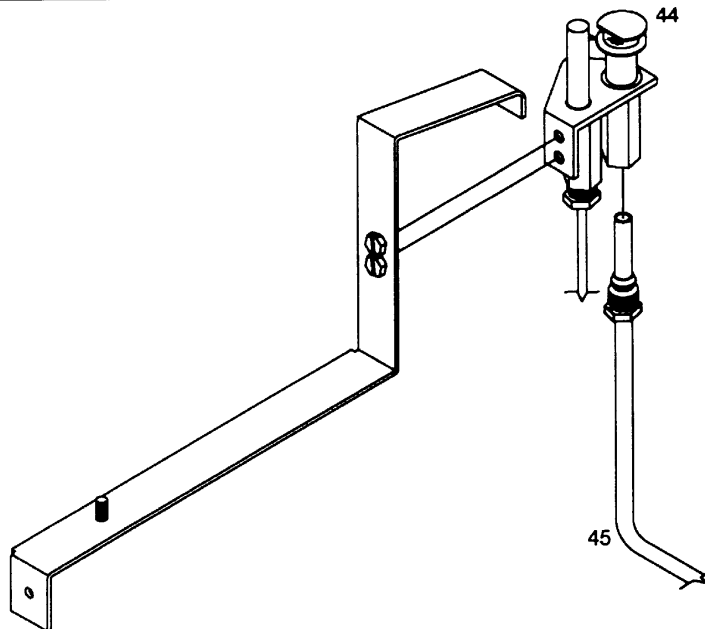
# Parts Illustration - Millivolt



# Parts Illustration - Millivolt



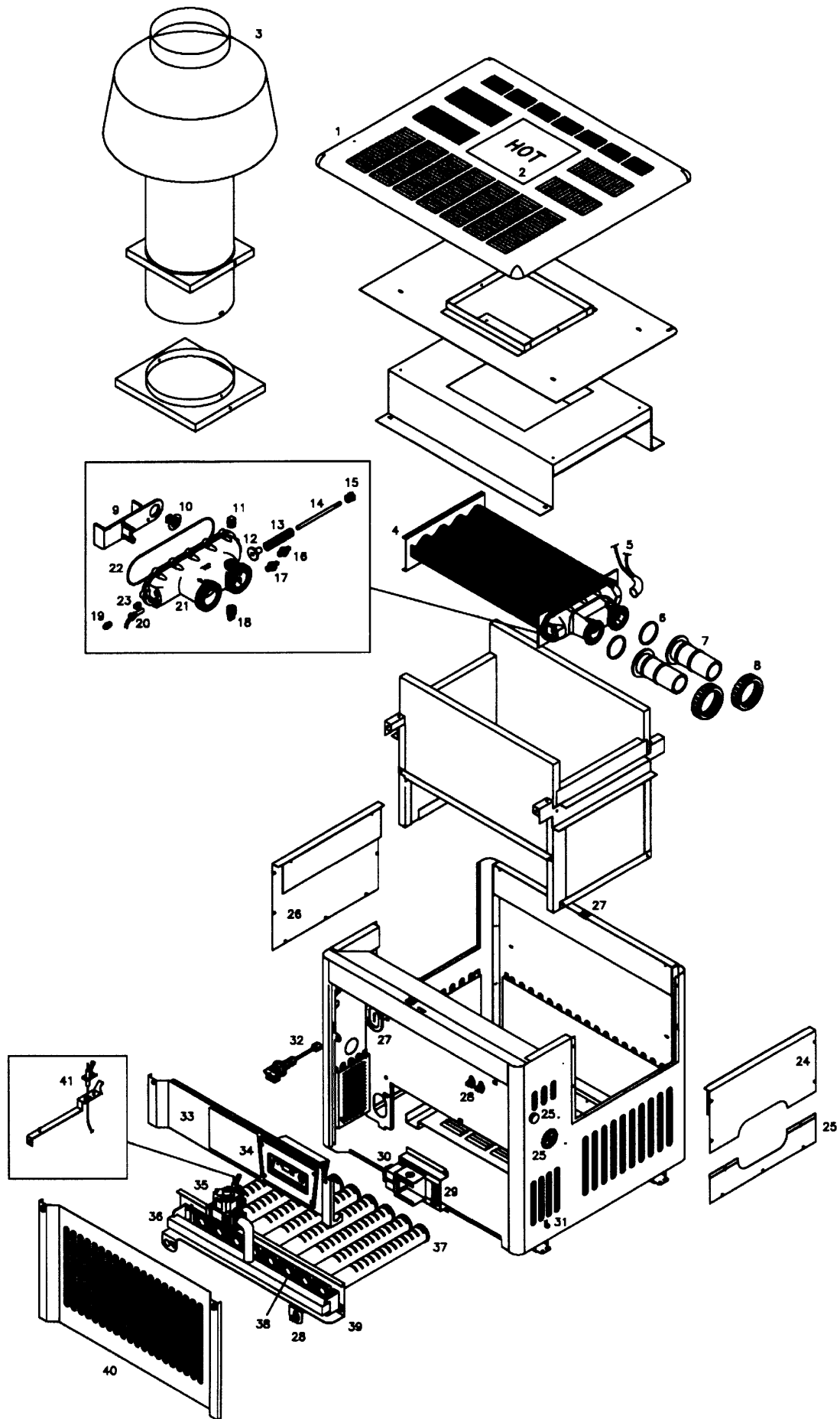
## Millivolt Pilot Parts



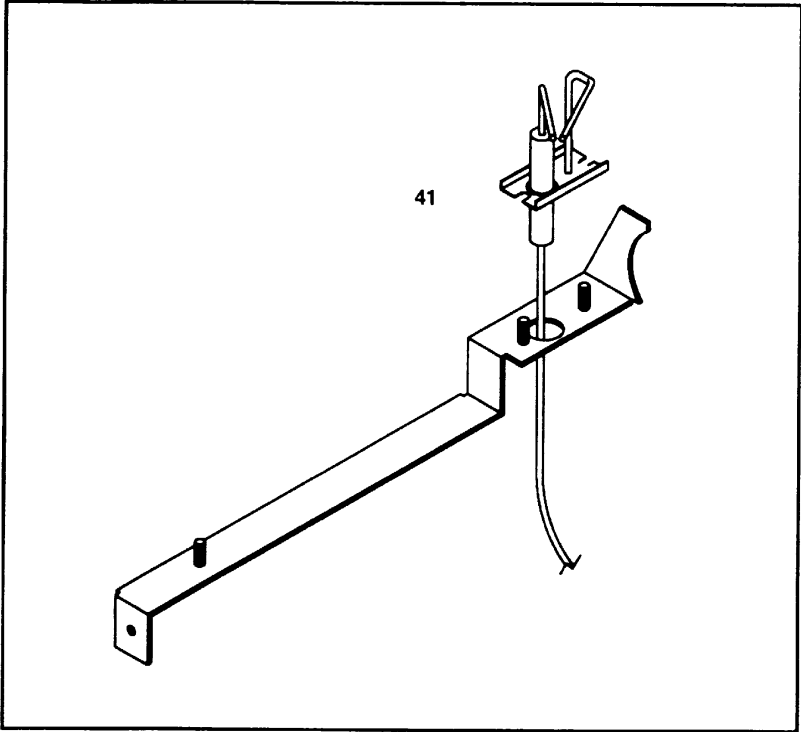
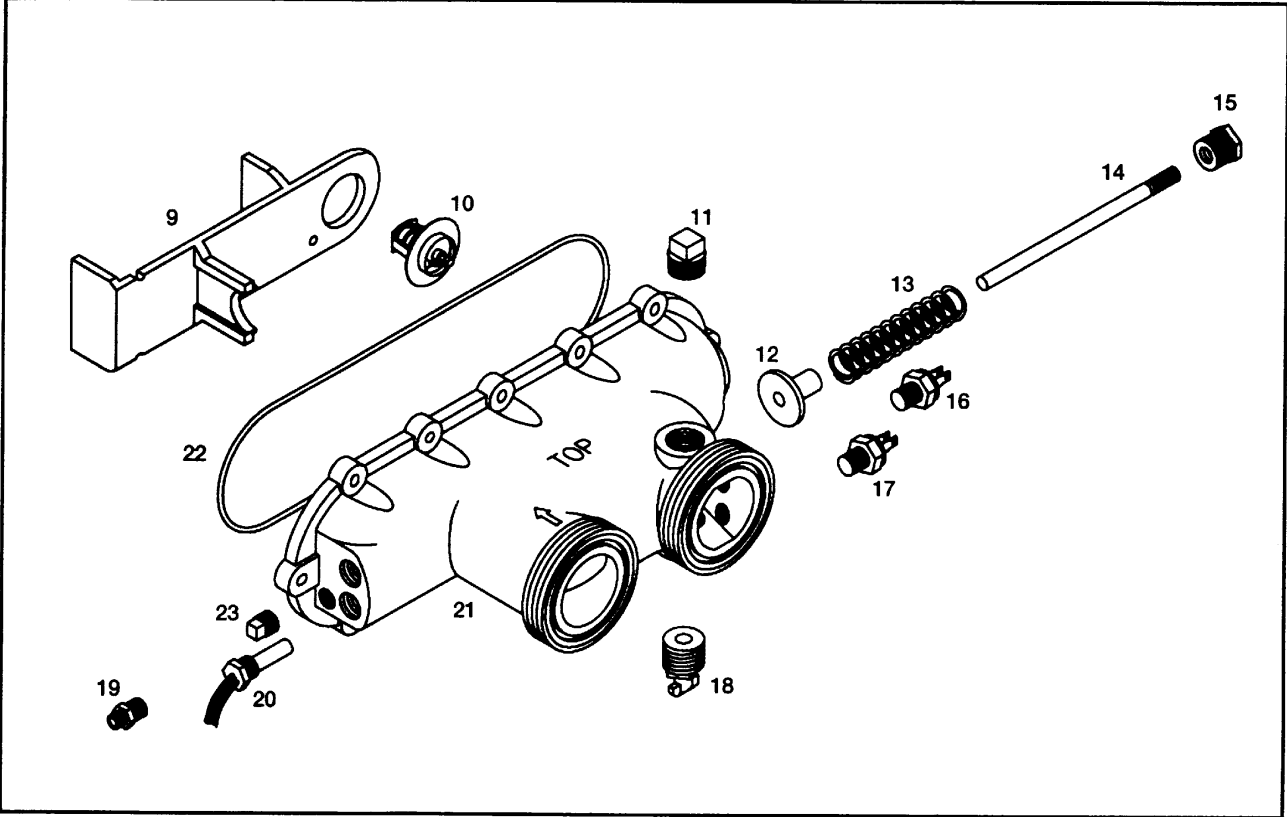
# Parts List - Electronic Ignition

| ITEM NO. | PART NO.    | DESCRIPTION                       | ITEM NO. | PART NO.    | DESCRIPTION                       |
|----------|-------------|-----------------------------------|----------|-------------|-----------------------------------|
| 1.       | HAXJKT1150  | Jacket Top Asy. - 150             | 27.      | HAXPHK1930  | Plastic Hardware Kit              |
| 1.       | HAXJKT1200  | Jacket Top Asy. - 200             | 28.      | HAXTLK1930  | Temperature Limiters Kit          |
| 1.       | HAXJKT1251  | Jacket Top Asy. - 250             | 29.      | IDXLTMB1931 | 5-Pole Terminal Block             |
| 1.       | HAXJKT1301  | Jacket Top Asy. - 300             | 30.      | CHXTRF1930  | Transformer                       |
| 1.       | HAXJKT1351  | Jacket Top Asy. - 350             | 31.      | CHXGRL1930  | TA-2 Ground Lug                   |
| 1.       | HAXJKT1401  | Jacket Top Asy. - 400             | 32.      | HAXPSA1930  | Pressure Switch Asy.              |
| 2.       | HAXDHO1930  | DHO Insert                        | 33.      | HAXCPA3151  | Control Panel Asy. - 150 DS       |
| 3.       | DHI150      | Indoor Draft Hood - 150           | 33.      | HAXCPA3201  | Control Panel Asy. - 200 DS       |
| 3.       | DHI200      | Indoor Draft Hood - 200           | 33.      | HAXCPA3251  | Control Panel Asy. - 250 DS       |
| 3.       | DHI250      | Indoor Draft Hood - 250           | 33.      | HAXCPA3301  | Control Panel Asy. - 300 DS       |
| 3.       | DHI300      | Indoor Draft Hood - 300           | 33.      | HAXCPA3351  | Control Panel Asy. - 350 DS       |
| 3.       | DHI350      | Indoor Draft Hood - 350           | 33.      | HAXCPA3401  | Control Panel Asy. - 400 DS       |
| 3.       | DHI400      | Indoor Draft Hood - 400           | 34.      | HAXCPA1930  | Control Bezel Asy.                |
| 3.       | HWS150      | High Wind Stack - 150 (Not Shown) | 35.      | HAXGSV0004  | Gas Valve, DS Propane             |
| 3.       | HWS200      | High Wind Stack - 200 (Not Shown) | 35.      | HAXGSV0005  | Gas Valve, DS Natural Gas         |
| 3.       | HWS250      | High Wind Stack - 250 (Not Shown) | 36.      | HAXMAN1150  | Gas Manifold - 150                |
| 3.       | HWS300      | High Wind Stack - 300 (Not Shown) | 36.      | HAXMAN1200  | Gas Manifold - 200                |
| 3.       | HWS350      | High Wind Stack - 350 (Not Shown) | 36.      | HAXMAN1250  | Gas Manifold - 250                |
| 3.       | HWS400      | High Wind Stack - 400 (Not Shown) | 36.      | HAXMAN1300  | Gas Manifold - 300                |
| 4.       | HAXHXA1150  | Heat Exchanger Asy. - 150         | 36.      | HAXMAN1350  | Gas Manifold - 350                |
| 4.       | HAXHXA1200  | Heat Exchanger Asy. - 200         | 36.      | HAXMAN1400  | Gas Manifold - 400                |
| 4.       | HAXHXA1250  | Heat Exchanger Asy. - 250         | 37.      | HAXBRN1930  | Burner Tube                       |
| 4.       | HAXHXA1300  | Heat Exchanger Asy. - 300         | 38.      | HAXBON1930  | Burner Orifice Natural Gas        |
| 4.       | HAXHXA1350  | Heat Exchanger Asy. - 350         | 38.      | HAXBON1931  | Burner Orifice Natural Gas HA     |
| 4.       | HAXHXA1400  | Heat Exchanger Asy. - 400         | 38.      | HAXBOP1932  | Burner Orifice Propane            |
| 5.       | HAXWHA0007  | Rear Wire Harness, DS             | 38.      | HAXBOP1931  | Burner Orifice Propane HA         |
| 6.       | HAXFOR1930  | O-Rings                           | 39.      | HAXBMA1153  | Burner - Manifold Asy. 150 DS NA  |
| 7.       | HAXNIP1930  | Flange Pipe Nipples               | 39.      | HAXBMA1154  | Burner - Manifold Asy. 150 DS LP  |
| 8.       | HAXNUT1930  | Union Nuts                        | 39.      | HAXBMA1203  | Burner - Manifold Asy. 200 DS NA  |
| 9.       | HAXBPI1931  | By-Pass Insert                    | 39.      | HAXBMA1204  | Burner - Manifold Asy. 200 DS LP  |
| 10.      | HAXFCT1930  | Flow Control Thermostat           | 39.      | HAXBMA1253  | Burner - Manifold Asy. 250 DS NA  |
| 11.      | CHXPLG1930  | 3/4" NPT Brass Plug               | 39.      | HAXBMA1254  | Burner - Manifold Asy. 250 DS LP  |
| 12.      | HAXBPV1930  | By-Pass Valve                     | 39.      | HAXBMA1303  | Burner - Manifold Asy. 300 DS NA  |
| 13.      | HAXVSG1930  | Valve Spring                      | 39.      | HAXBMA1304  | Burner - Manifold Asy. 300 DS LP  |
| 14.      | HAXSFT1930  | Brass Shaft                       | 39.      | HAXBMA1353  | Burner - Manifold Asy. 350 DS NA  |
| 15.      | HAXADP1930  | Brass Adapter                     | 39.      | HAXBMA1354  | Burner - Manifold Asy. 350 DS LP  |
| 16.      | HAXHLI1930  | Hi-Limit 135° F                   | 39.      | HAXBMA1403  | Burner - Manifold Asy. 400 DS NA  |
| 17.      | HMXHLI2932  | Hi-Limit 160° F                   | 39.      | HAXBMA1404  | Burner - Manifold Asy. 400 DS LP  |
| 18.      | CHXDRV1930  | Drain Valve Asy.                  | 40.      | HAXFAD1150  | Front Access Door Asy. - 150      |
| 19.      | CHXPSA1930  | Pressure Switch Adapter           | 40.      | HAXFAD1200  | Front Access Door Asy. - 200      |
| 20.      | IDXLTER1930 | Thermistor                        | 40.      | HAXFAD1250  | Front Access Door Asy. - 250      |
| 21.      | HAXFHD1931  | Front Header Only                 | 40.      | HAXFAD1300  | Front Access Door Asy. - 300      |
| 22.      | HAXHOR1930  | Header O-Ring                     | 40.      | HAXFAD1350  | Front Access Door Asy. - 350      |
| 23.      | HAXPLG1931  | 3/8" Brass Plug                   | 40.      | HAXFAD1400  | Front Access Door Asy. - 400      |
| 24.      | HAXURA1930  | Upper Right Access Cover          | 41.      | HAXIGN1931  | Igniter Asy.                      |
| 25.      | HAXLRA1931  | Lower Right Access Cover          | -        | HAXWHA0008  | Wire Harness, Main DS (Not Shown) |
| 26.      | HAXLAC1930  | Left Access Cover                 |          |             |                                   |

# Parts Illustration - Electronic Ignition



# Parts Illustration - Electronic Ignition





# Hayward Pool Heater Certificate Of Limited Warranty

## Limited heater warranty:

**TERMS AND COVERAGE:** We warrant our pool heater to be free from defects in workmanship and materials under normal use and service. Pursuant to this warranty and subject to the Conditions and Exceptions indicated below:

1. We will replace (cost of freight, installation, cost of fuel, and service labor at user's expense) with the prevailing comparable model, or, at our option, repair any pool/spa heater that leaks under normal use and service within two years from the date of original installation for single family residential users and one year for all other users.
2. In addition, we will replace (cost of freight, installation, cost of fuel, and service labor at user's expense) or, at our option, repair any part or parts of the pool/spa heater which malfunction under normal use and service within two years from the date of original installation for single family residential users and one year for all other users.

**LIMITATION ON IMPLIED WARRANTIES:** WE ARE NOT LIABLE FOR ANY CONSEQUENTIAL DAMAGES FOR BREACH OF ANY WRITTEN OR IMPLIED WARRANTY OF THIS PRODUCT. Implied warranties, including the WARRANTY OF MERCHANTABILITY and all other implied warranties that may arise from course of dealing or usage of trade imposed on the sale of this heater under the laws of the state are limited in duration to the term of two (2) years for single family residential users and one (1) year for all other users. There are no warranties which extend beyond the description on the face hereof. We shall not in any event be held liable for any special, indirect or consequential damages.

**EXPENSE OF DELIVERY AND INSTALLATION:** Each pool heater or replacement part to be furnished under this warranty shall be furnished at our nearest distribution center. We shall not pay, nor be responsible for shipping or delivery charges to the place of installation, not for labor charges or other costs of removal or installation. Every defective heater or part replaced under this warranty shall become our property, and as such, must be returned to our distribution center with transportation charges paid by the user. Any replacement pool heater furnished under this warranty shall remain in warranty only for the unexpired portion of this warranty.

**CONDITIONS AND EXCEPTIONS:** This warranty applies only to the pool/spa heater at its original place of installation and only for the original owner. This warranty applies only to heaters installed for SINGLE FAMILY RESIDENTIAL APPLICATIONS. (Heaters installed for commercial, multi-family and

other uses will be warranted for a period of one year from date of installation.) It does not apply if the pool heater is installed in violation of any applicable code or ordinance, or is not installed, operated and maintained in accordance with our instructions, or is misused, damaged by accident, weather, act of God, freezing, water void and/or excess pressure, altered or disconnected. It does not apply with respect to:

1. A heater not equipped with Certified AGA limit controls or equivalent pressure relief valve, installed in accordance with applicable ordinance;
2. A heater operated with settings in excess of and/or with fuel not conforming to those shown on rating plate;
3. A heater on which the serial numbers have been altered, defaced or removed;
4. Leaks arising from defective installation;
5. Production of noise, odors or discolored (rusty, etc.) water;
6. Leakage substantially contributed to by sediment, lime precipitate and/or higher than normal dissolved solids (ph above 7.8) in the tank, copper tubes or water ways;
7. Leakage substantially contributed to by corrosive elements in the atmosphere (such as the storage of chlorine or other chemicals);
8. Leakage caused substantially or contributed to by corrosive pool water in an acid condition (ph below 7.2);
9. Damage caused substantially or contributed to by an external source of energy;
10. A pool/spa heater is a water containing device. Leakage of water from this device can be expected at some time due to malfunction of the limitations of the service life of various components. Do not install this product where such leakage can cause damage. MANUFACTURER IS NOT RESPONSIBLE OR LIABLE FOR ANY COSTS INCURRED BY SUCH DAMAGE.

IN NO CASE ARE WE TO BE HELD LIABLE FOR DAMAGE TO SURROUNDING AREA OR PROPERTY CAUSED BY LEAKAGE OR MALFUNCTION.

**HOW TO CLAIM UNDER THIS WARRANTY:** The original owner, upon discovering the defect, must present the attached completed warranty claim card with proof of purchase either to the dealer or notify the Company in writing at either address:

Hayward Pool Products, Inc.  
900 Fairmount Avenue  
Elizabeth, NJ 07207  
or

Hayward Pool Products, Inc.  
2875 Pomona Boulevard  
Pomona, CA 91768

Upon receipt of such notification we shall decide whether to repair such parts or replace any pool heater, reserving at all times the right to inspect in order to verify any claimed defect. We also reserve the right to have our representatives make any inspections, repairs, or to furnish replacements. This warranty is intended as a legally binding obligation of the Company, enforceable in the courts. This warranty may give you specific legal rights which may vary from state to state.

**LIMITATION ON LIABILITY:** All intended representations have been expressly set forth in this document. This warranty may not be extended by oral or any other additional representations, written sales information, drawings or otherwise. Our liability, in the event of leakage or other malfunction, is strictly limited to repair or replacement of the defective heater or part, as provided herein and the Company is not responsible hereunder for incidental or consequential property damage or personal injury, interim loss of use of the heater, inconvenience or other consequential or incidental costs or damages. The Company neither assumes, nor authorizes any person or firm to assume for us, any further liability or obligation in connection with the sale, installation, use, maintenance or existence of the heater.

**SAFETY WARNING:** Pool heaters are heat producing appliances and to avoid damage or injury in the event of possible overheating of the outer jacket (1) no materials should be stored against the jacket and (2) care should be taken to avoid unnecessary contact

(especially by children) with the jacket. When lighting a gas heater, the lighting instructions must be followed exactly to prevent possible "flash-back" of excess gas in the heater. Electronic ignition heaters and electric heaters must have the power shut off when making adjustments to, servicing, or coming into contact with the heater. UNDER NO CIRCUMSTANCES SHOULD FLAMMABLE MATERIALS, SUCH AS GASOLINE OR PAINT THINNERS, BE USED OR STORED IN THE VICINITY OF THE HEATER OR IN ANY LOCATION FROM WHICH FUMES COULD REACH THE HEATER. For your comfort, enjoyment and safety, please read the enclosed operating instructions carefully.

### FireTile™ five year limited warranty:

**TERMS AND COVERAGE:** This warranty is an extended limited warranty applicable to the FireTile™ components used in the combustion chamber of your pool/spa heater. All terms, conditions, limitations and exceptions of the regular pool heater limited warranty remain in force, apply to this warranty, and are incorporated herein by reference.

Under the terms of this special FireTile™ limited warranty, we will replace (cost of freight, installation, cost of fuel, and service labor at user's expense) any components of your pool/spa heater made of FireTile™ which fail from defects in workmanship and materials under normal use and service in a single family residential application for a period of five (5) years.

USE THIS ONLY FOR MAKING A CLAIM.

## LIMITED 2 YEAR POOL/SPA/HOT TUB HEATER CLAIM CARD

Model No. \_\_\_\_\_ Serial No. \_\_\_\_\_

Purchaser's Name \_\_\_\_\_

Installation Address \_\_\_\_\_

City and State \_\_\_\_\_

Single Family Residential Use Yes  No  If no, fill in use \_\_\_\_\_

Dealer's Name \_\_\_\_\_

Address \_\_\_\_\_

Date of Installation \_\_\_\_\_

*Note to Dealer: Fill in the following information on replacement heater:*

Model No. \_\_\_\_\_ Serial No. \_\_\_\_\_ Date Installed \_\_\_\_\_

# Notes



## **HAYWARD POOL PRODUCTS, INC.**

Hayward Pool Products, Inc.  
900 Fairmount Avenue  
Elizabeth, NJ 07207

Hayward Pool Products, Inc.  
2875 Pomona Boulevard  
Pomona, CA 91768

Hayward Pool Products, Inc.  
2880 Plymouth Drive  
Oakville, Ontario L6H 5R4

Hayward S.A.  
Zoning de Jumet  
B6040 Jumet, Belgium



# HAYWARD®

## Procédures d'installation, d'utilisation et d'entretien Appareils de chauffage de piscine et spa/hot tub

Modèles H150, H200, H250, H300, H350 & H400

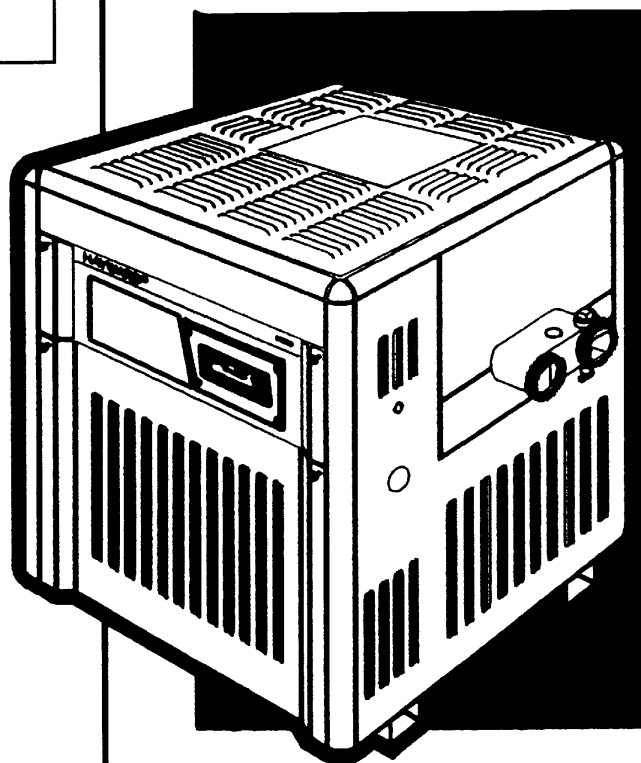
### POUR VOTRE SÉCURITÉ

**MISE EN GARDE:** Si les informations de ces intructions ne sont pas suivies exactement, il peut s'ensuivre un incendie ou une explosion causant des dommages matériels, des blessures ou la mort.

— Ne pas entreposer ni utiliser de l'essence ou autres vapeurs et liquides inflammables à proximité de cet appareil ou de tout autre appareil.

### QUE FAIRE EN CAS D'ODEUR DE GAZ

- Ne tenter d'allumer aucun appareil.
  - Ne toucher aucun interrupteur électrique; ne pas utiliser le téléphone du bâtiment.
  - Appeler immédiatement son propre fournisseur de gaz en utilisant le téléphone d'un voisin. Suivre les instructions du fournisseur du gaz.
  - Si on ne peut atteindre son fournisseur de gaz, appeler les pompiers.
- L'installation et les réparations doivent être effectuées par un installateur compétent, une agence de service ou le fournisseur de gaz.



# Table des matières:

|              |  |    |
|--------------|--|----|
| SECTION I.   | INFORMATIONS GÉNÉRALES . . . . .   | 3  |
|              | Introduction . . . . .   | 3  |
|              | Appareils de chauffage Hayward . . . . .   | 3  |
|              | Garantie . . . . .   | 3  |
| SECTION II.  | DIMENSIONS DE L'APPAREIL DE CHAUFFAGE . . . . .  | 4  |
|              | Choix de l'appareil de chauffage de la dimension approprié . . . . .                         | 4  |
|              | Pour une piscine . . . . .   | 4  |
|              | Pour un spa ou un hot tub . . . . .  | 4  |
| SECTION III. | INSTALLATION . . . . .   | 5  |
|              | Inspection du matériel . . . . .   | 5  |
|              | Conformité aux codes . . . . .   | 5  |
|              | Installation à haute altitude/niveau de la mer . . . . .                                     | 5  |
|              | Positionnement de l'appareil de chauffage . . . . .  | 5  |
|              | Sol . . . . .  | 5  |
|              | Evénements extérieurs/intérieurs . . . . .   | 6  |
|              | Appareil de chauffage extérieur - Conditions de grand vent . . . . .                         | 6  |
|              | Raccords d'eau réversibles . . . . .   | 7  |
|              | Installation extérieure avec mise à l'air libre . . . . .                                    | 8  |
|              | Installation intérieure avec mise à l'air libre . . . . .                                    | 9  |
|              | Arrivée d'air . . . . .  | 9  |
|              | Installations placées dans des espaces restreints . . . . .                                  | 9  |
|              | Mise à l'air libre . . . . .   | 10 |
|              | Arrivée de gaz et tuyaux de gaz . . . . .  | 11 |
|              | Dimensions des tuyaux de gaz . . . . .   | 11 |
|              | Toutes les installations de gaz . . . . .  | 12 |
|              | Conduites d'eau . . . . .  | 12 |
|              | Installation au-dessus de la surface de la piscine/du spa . . . . .                          | 14 |
|              | Appareils de chloration automatique et distributeurs de produits chimiques . . . . .         | 14 |
|              | Soupape de surpression . . . . .   | 14 |
|              | Système millivolt . . . . .  | 15 |
|              | Système à allumage électronique . . . . .  | 15 |
|              | Raccordement d'une commande extérieure . . . . .   | 17 |
| SECTION IV.  | VÉRIFICATION ET MISE EN MARCHÉ PAR L'INSTALLATEUR . . . . .                                  | 19 |
|              | Généralités . . . . .  | 19 |
|              | Essais des conduites de gaz . . . . .  | 19 |
|              | Mode d'essai de pression de gaz . . . . .  | 19 |
|              | Installation sous la surface de la piscine/du spa . . . . .                                  | 20 |
|              | Pompe à deux vitesses . . . . .  | 20 |
| SECTION V.   | INSTRUCTIONS D'UTILISATION ET D'ENTRETIEN À L'INTENTION DU CONSOMMATEUR . . . . .            | 21 |
|              | Généralités . . . . .  | 21 |
|              | Composition de l'eau de la piscine/du spa . . . . .  | 21 |
|              | Utilisation des appareils de chloration et des distributeurs de produits chimiques . . . . . | 21 |
|              | Données au sujet de la chimie de l'eau . . . . .   | 21 |
|              | Fonctionnement de l'appareil de chauffage . . . . .  | 21 |
|              | Instructions d'allumage - Millivolt . . . . .  | 22 |
|              | Instructions de fonctionnement - Allumage électronique . . . . .                             | 23 |
|              | Commandes de température . . . . .   | 24 |
|              | Inspection périodique . . . . .  | 24 |
|              | Utilisation hivernale . . . . .  | 25 |
|              | Remise en service printanière . . . . .  | 25 |
| SECTION VI.  | TECHNICIEN QUALIFIÉ – ENTRETIEN/RÉPARATIONS . . . . .  | 26 |
|              | Généralités . . . . .  | 26 |
|              | Entretien . . . . .  | 26 |
|              | Accès aux commandes . . . . .  | 26 |
|              | Inspection et nettoyage externes de l'échangeur de chaleur . . . . .                         | 26 |
|              | Dépose de l'échangeur de chaleur . . . . .   | 27 |
|              | Chambre de combustion . . . . .  | 27 |
|              | Inspection et nettoyage internes de l'échangeur de chaleur . . . . .                         | 27 |
|              | Inspection et nettoyage du brûleur . . . . .   | 28 |
|              | Dépose de l'ensemble de brûleur . . . . .  | 28 |
|              | Installation de l'ensemble de brûleur . . . . .  | 28 |
|              | Remplacement de la soupape de gaz . . . . .  | 28 |
|              | Dépose de l'ensemble de veilleuse . . . . .  | 28 |
|              | Dépose de l'ensemble d'allumeur . . . . .  | 30 |
|              | Orifices des brûleurs principaux . . . . .   | 30 |
|              | Conversion au gaz . . . . .  | 30 |
|              | Emplacements des commandes . . . . .   | 30 |
|              | Câblage électrique . . . . .   | 30 |
|              | Interrupteur système . . . . .   | 30 |
|              | Commutateur de température . . . . .   | 31 |
|              | Hautes limites . . . . .   | 31 |
|              | Interrupteurs limiteurs de température . . . . .   | 32 |
|              | Manostat . . . . .   | 32 |
|              | Soupape de dérivation . . . . .  | 32 |
|              | Soupape de contrôle thermique . . . . .  | 33 |
|              | Transformateur . . . . .   | 34 |
|              | Thermistance . . . . .   | 34 |
| SECTION VII. | DÉPANNAGE . . . . .  | 34 |
|              | Tableau de dépannage . . . . .   | 35 |
|              | Millivolt . . . . .  | 36 |
|              | Tableau de dépannage - électronique . . . . .  | 38 |
|              | LISTE DE PIÈCES - MILLIVOLT . . . . .  | 40 |
|              | ILLUSTRATION DE PIÈCES - MILLIVOLT . . . . .   | 41 |
|              | LISTE DE PIÈCES - ALLUMAGE ÉLECTRONIQUE . . . . .  | 43 |
|              | ILLUSTRATION DE PIÈCES - ALLUMAGE ÉLECTRONIQUE . . . . .                                     | 44 |

# Section I. Informations générales

---

## Introduction:

Ce manuel contient des instructions pour l'installation, l'utilisation, l'entretien, le dépannage et les listes de pièces pour l'utilisation sûre des appareils de chauffage de piscine/spa modèles H150, H200, H250, H300, H350 et H400.

Hayward recommande fortement que l'installateur lise le manuel avant d'installer l'appareil de chauffage de piscine/spa. Si, après avoir consulté le manuel, des questions demeurent sans réponse, consulter l'usine ou le représentant local. Après l'installation de l'appareil de chauffage, l'installateur doit laisser le manuel au consommateur pour consultation future.

## Appareils de chauffage Hayward:

L'appareil de chauffage à gaz de série H pour piscine/spa est le résultat de près de 50 ans de travail d'étude et de production du meilleur équipement de chauffage d'eau. La conception à tubes à ailettes à allumage direct de l'appareil de chauffage de piscine/spa est la plus perfectionnée de toute l'industrie, offrant un chauffage très efficace et économique de piscine/spa ainsi qu'un fonctionnement sans calamine. Aucun effort n'a été épargné pour faire de l'appareil de chauffage de piscine/spa le plus robuste, fiable et facile d'entretien qui soit disponible.

Les appareils de chauffage de série H conviennent uniquement au chauffage de piscines et de spas. Ces appareils de chauffage ne doivent pas être utilisés comme chaudières de chauffage d'espace, chauffe-eau à usage général ou pour chauffer des bassins à poissons ou des piscines d'eau de mer. Lorsqu'il est installé et utilisé conformément aux instructions du manuel, l'appareil de chauffage de série H fournira de nombreuses années de fonctionnement sans ennuis et une utilisation plus agréable de la piscine et du spa.

Les appareils de chauffage de piscine/spa de série H sont de conception si similaire que de nombreuses commandes et autres composants sont interchangeables. C'est la raison pour laquelle les procédures de ce manuel s'appliquent aux six modèles, sauf indication contraire.

## Résumé de la garantie limitée:

Nous garantissons que l'appareil de chauffage de piscine/spa de série H est exempt de vices de matériaux et de fabrication, et nous nous engageons, pendant un délai de deux ans à partir de la date d'installation, auprès de l'acheteur initial, à réparer ou, à notre choix, à remplacer gratuitement toute pièce défectueuse.

Nous garantissons également que si l'échangeur de chaleur ou les collecteurs de l'échangeur (section qui contient de l'eau) fuient dans un délai de deux ans de la date de cette installation en raison de vices de fabrication et de matériaux, nous fournirons une pièce de rechange.

En vertu des modalités de la garantie limitée spéciale FireTile™, nous remplacerons tout composant FireTile™ utilisé dans la chambre de combustion de l'appareil de chauffage de piscine/spa qui fait défaut par suite de vices de fabrication et de matériaux dans des conditions normales d'utilisation et d'entretien dans une application résidentielle monofamiliale pendant une période de cinq (5) ans.

Le coût du transport, de l'installation, du carburant et de la main-d'oeuvre (après un an) est aux frais de l'utilisateur. Pour plus de détails sur le contrat de garantie, se reporter au certificat de garantie accompagnant l'appareil de chauffage.

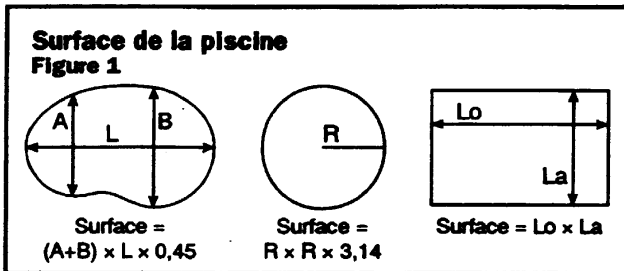
**▲ATTENTION: SI l'appareil de chauffage de piscine/spa est abîmé ou détruit par un entretien erroné, une eau d'une dureté excessive, une chimie incorrecte de l'eau ou le gel, l'appareil n'est pas couvert par la garantie du fabricant.**

# Section II. Dimensions de l'appareil de chauffage

## Choix de l'appareil de chauffage de la dimension appropriée:

Les facteurs influençant la dimension de l'appareil de chauffage comprennent la dimension de la piscine ou du spa, la vitesse moyenne du vent, la température ambiante et l'augmentation désirée de température par rapport à la température ambiante. Une piscine ou un spa dans un endroit chaud exposé faiblement ou pas du tout exposé au vent ne nécessitera pas un appareil de chauffage aussi gros que pour un emplacement frais et venteux. Des informations détaillées sont données ci-après pour le choix de la dimension.

### Pour une piscine:



- Déterminer la surface de la piscine en pieds carrés. Pour installations dans une piscine intérieure, diviser la surface de la piscine par 3.
- Déterminer la température désirée de l'eau de la piscine (habituellement de 78 à 82°F).
- Déterminer la température moyenne de l'air du mois le plus froid d'utilisation.
- La hausse de température est la différence entre 2 et 3.

- Dans la Figure 2, repérer la surface égale ou à peine supérieure à la surface de la piscine et la hausse de degrés de température, et sélectionner le modèle approprié d'appareil de chauffage.

La Figure 2 est basée sur une hausse de température de 30°F, une vitesse du vent de 3 1/2 milles/h et une élévation allant jusqu'à 2000 pi au-dessus du niveau de la mer.

**Lorsque la piscine n'est pas en usage, la garder couverte pour réduire les pertes de chaleur, la consommation de produits chimiques et l'en-crassement du système de filtration.**

### Pour un spa:

Déterminer la capacité du spa en gallons (surface x profondeur moyenne x 7 1/2).

Le tableau de référence indique le temps nécessaire en minutes pour élever la température du spa de 30°F. Repérer dans le tableau ci-après la dimension du spa en gallons qui équivaut ou est à peine supérieure à la dimension du spa en gallons. Sélectionner le temps désiré pour élever la température du spa de 30°F, lire vers la gauche et sélectionner le modèle approprié d'appareil de chauffage.

Ce guide peut être ajusté en fonction d'autres hausses de température. Ainsi, si une hausse de 15°F de température est désirée, diviser tout simplement le temps pour une hausse de 30°F par le rapport de 30/15 = 2.

**REMARQUE:** Les pertes de chaleur et/ou la chaleur absorbée par les parois du spa ou autres objets prolongeront le temps de réchauffement.

La dimension du spa est basée sur un spa isolé et couvert. Toujours couvrir le spa lorsqu'il n'est pas en usage pour minimiser les pertes de chaleur et l'évaporation.

Figure 2 - Modèle recommandé d'appareil de chauffage

| Hausse de température | 10°                                   | 15°  | 20°  | 25°  | 30°  | 35°  |
|-----------------------|---------------------------------------|------|------|------|------|------|
| Modèle                | Surface de la piscine en pieds carrés |      |      |      |      |      |
| H150                  | 1385                                  | 924  | 693  | 554  | 462  | 396  |
| H200                  | 1848                                  | 1232 | 924  | 739  | 616  | 528  |
| H250                  | 2309                                  | 1540 | 1155 | 924  | 770  | 660  |
| H300                  | 2771                                  | 1848 | 1386 | 1109 | 924  | 792  |
| H350                  | 3233                                  | 2156 | 1617 | 1293 | 1078 | 924  |
| H400                  | 3695                                  | 2463 | 1848 | 1478 | 1232 | 1056 |

Figure 3 - Modèle recommandé d'appareil de chauffage

| Modèle | Dimension du spa en gallons                                |     |     |     |     |     |     |     |       |
|--------|--|-----|-----|-----|-----|-----|-----|-----|-------|
|        | 200  | 300 | 400 | 500 | 600 | 700 | 800 | 900 | 1,000 |
|        | Temps en minutes pour élever la température du spa de 30°F |     |     |     |     |     |     |     |       |
| H400   | 9  | 14  | 19  | 23  | 28  | 33  | 37  | 42  | 47    |
| H350   | 11   | 16  | 21  | 27  | 32  | 37  | 43  | 48  | 54    |
| H300   | 12   | 19  | 25  | 31  | 37  | 44  | 50  | 56  | 62    |
| H250   | 15   | 22  | 30  | 37  | 45  | 52  | 60  | 67  | 75    |
| H200   | 19   | 28  | 37  | 47  | 56  | 66  | 75  | 84  | 94    |
| H150   | 25   | 37  | 50  | 62  | 75  | 87  | 100 | 112 | 125   |

# Section III. Installation

## Inspection du matériel:

Sur réception du matériel, inspecter le carton d'expédition de l'appareil de chauffage et le carton de l'événement HWS ou DH en option (si utilisé) pour y relever des signes de dommage. Si tout carton est abîmé, faire une note à cet effet lors de la réception. Retirer le matériel du ou des cartons et aviser immédiatement le transporteur des dommages.

## Avis important:

Les instructions contenues aux présentes sont destinées à être utilisées par un technicien compétent, ayant reçu une formation spéciale et expérimenté dans l'installation de ce type de matériel de chauffage. Certaines provinces exigent que les personnes procédant à l'installation soient titulaires d'un permis. Si c'est le cas dans la province dans laquelle l'appareil de chauffage doit être installé, l'entrepreneur doit être dûment autorisé.

**ATTENTION EN GARDE:** Le non-respect des instructions relatives à l'installation de l'appareil et de l'événement et des instructions de service contenues dans ce manuel peut entraîner des dommages matériels, un incendie, l'asphyxie ou un empoisonnement au monoxyde de carbone. L'exposition à des produits de combustion incomplète (monoxyde de carbone) peut causer le cancer et des malformations congénitales ou autres dommages au système reproducteur.

## Conformité aux codes:

L'appareil de chauffage sera installé conformément à tous les codes locaux et provinciaux. L'installation de l'appareil de chauffage ainsi que le choix de la dimension de l'événement, son installation et sa terminaison devront se conformer au National Fuel Gas Code ANSI Z223.1 (toute dernière édition) et aux exigences des autorités compétentes. L'homologation technique aux États-Unis est conforme à l'American National Standard Z21.56 (toute dernière édition).

Pour les installations canadiennes, l'appareil de chauffage doit être installé conformément aux normes CAN/CGA B149.1 et B149.2 - CODES D'INSTALLATION POUR APPAREILS ET ÉQUIPEMENT À GAZ et/ou aux codes locaux, et, le cas échéant, la norme CSA C22.1 - CODE ÉLECTRIQUE CANADIEN, Partie 1.

## Installation à haute altitude/niveau de la mer:

Les appareils de chauffage de la série H peuvent être installés à une élévation allant jusqu'à 2000 pieds au-dessus du niveau de la mer. Pour les élévations allant de 2000 à 4500 pieds au-dessus du niveau de la mer, l'appareil de chauffage devra être un modèle haute altitude qui possède un suffixe "H" dans la désignation du modèle d'appareil de chauffage (exemple: modèle H400H1). Pour les élévations de plus de 4500 pieds, consulter le service à la clientèle de Hayward.

## Positionnement de l'appareil de chauffage:

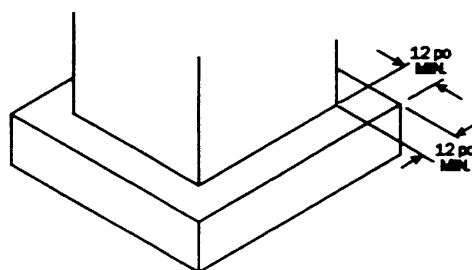
Positionner l'appareil de chauffage de piscine/spa là où les fuites de l'échangeur de chaleur ou les raccordements n'abîmeront pas la zone adjacente à l'appareil de chauffage ou à la structure. Lorsque ces emplacements ne peuvent être évités, il est recommandé de poser une cuvette d'évacuation adéquate, avec sortie d'évacuation, sous l'appareil de chauffage. La cuvette ne doit pas gêner l'écoulement d'air.

Cet appareil de chauffage doit être installé à au moins 5 pieds de la paroi intérieure d'une piscine ou d'un spa à moins qu'il ne soit séparé de la piscine ou du spa par une clôture solide, un mur ou autre barrière solide permanente. Cet appareil de chauffage doit être installé à au moins 5 pieds du mur d'une piscine non creusée.

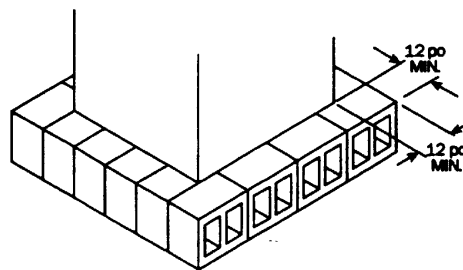
## Sol:

Les appareils de chauffage de piscine/spa de série H doivent être installés sur une dalle ou un sol non combustible. Les appareils peuvent être installés sur d'autres sols à condition que ceux-ci soient protégés par une maçonnerie creuse d'au moins 4 pouces d'épaisseur et recouverts d'une tôle de calibre 24 au minimum. Cette maçonnerie doit être posée avec les extrémités non scellées et les joints assortis de manière à créer une libre circulation d'air à travers la maçonnerie. La maçonnerie doit faire saillie d'au moins 12 pouces au-delà de l'appareil de chauffage sur tous les côtés. Voir Figure 4. Dans tous les cas, il incombe à l'installateur de protéger le sol et l'installateur doit s'assurer que le sol n'est pas exposé à une chaleur excessive durant les périodes prolongées d'utilisation.

Figure 4



INSTALLATION  
SUR UNE DALLE EN BÉTON



INSTALLATION  
SUR DES MOELLONS

## Évents extérieurs/intérieurs\*:

Les appareils de chauffage de la série H peuvent être posés à l'extérieur lorsqu'ils sont pourvus de l'évent incorporé (Figure 5) ou de l'évent optionnel HWS pour grand vent (Figure 6). Pour installations intérieures, un évent DHI (Figure 7) doit être utilisé.

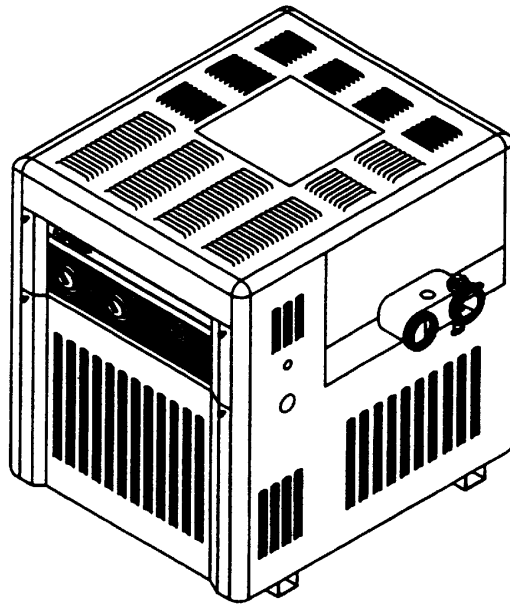
**▲ \*REMARQUE:** Pour installations intérieures canadiennes, ces appareils de chauffage ne peuvent être installés que dans une enceinte qui n'est pas occupée normalement et ne communique pas directement avec des aires occupées, à savoir, un abri extérieur.

Assurez-vous que l'évent fourni avec l'appareil de chauffage est l'évent convenant à l'installation.

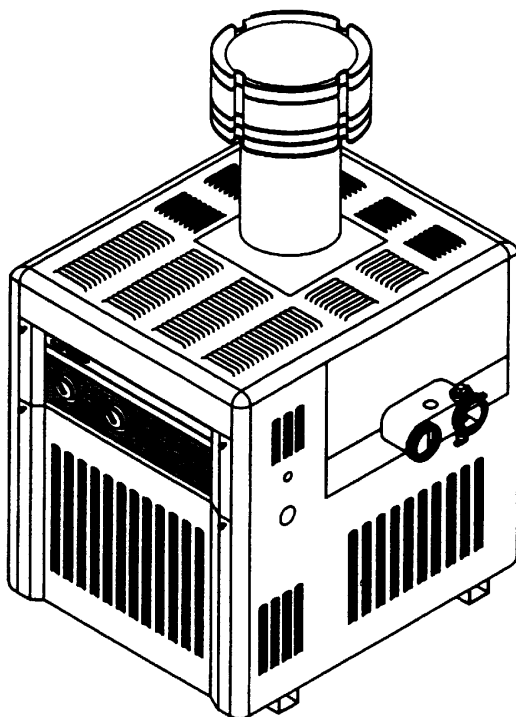
## Appareil de chauffage extérieur-conditions de grand vent:

Là où les grands vents surviennent tous les jours ou en présence de courants descendants sévères attribuables aux structures avoisinantes, il peut être nécessaire de poser l'évent grand vent HWS (Figure 6). Des consignes d'installation sont données dans le carton d'emballage de l'évent HWS.

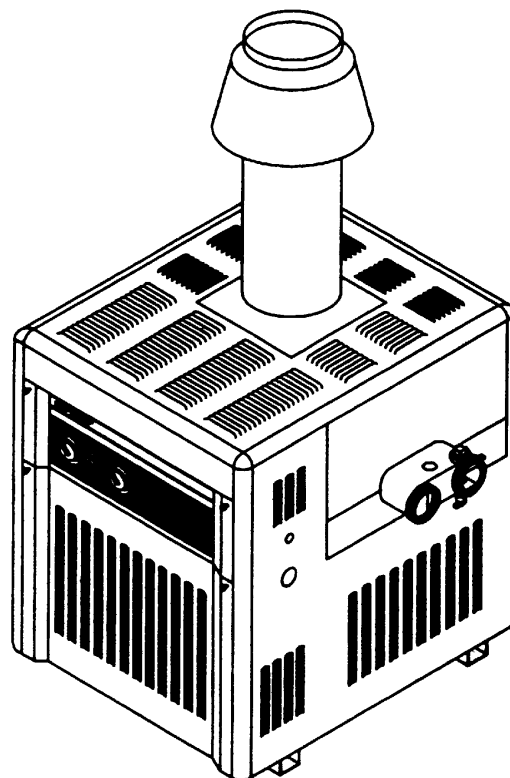
Évent incorporé  
Figure 5



Cheminée extérieure (HWS)  
Figure 6



Chapeau de tirage intérieur (DHI)  
Figure 7



## Raccords d'eau réversibles:

Le radiateur de la série H est conçu de telle façon à pouvoir être installé avec le raccord d'eau situé sur le côté droit ou sur le côté gauche du radiateur. Les raccords d'eau des radiateurs envoyés de l'usine sont sur le côté droit. Pour amener les raccords d'eau du côté gauche, suivez les instructions ci-dessous, étape par étape, et référez-vous à l'illustration du dessin 8. Un technicien de service qualifié devrait effectuer ces procédures avant que le radiateur soit installé.

1. Soulevez et ôtez le registre de ventilation du radiateur incorporé.
2. Ôtez les vis des panneaux d'accès de gauche et de droite et retirez les panneaux.
3. Ôtez les vis de l'arrière du bouclier thermique et retirez bouclier thermique.
4. Ôtez les vis de la bande protectrice contre la pluie située sur le haut et retirez la bande protectrice.
5. Déconnectez les fils à grande puissance du harnais principal et/ou de la borne serre-fils. Faites passer les fils à grande puissance à travers le trou ovale dans le panneau du milieu. Déconnectez les fils du commutateur de pression. Faites passer les fils du harnais principal du côté opposé du radiateur.
6. Ôtez le tube de l'avertisseur de pression et tirez-le à travers du trou ovale dans le panneau du milieu.
7. **Appareils de chauffage Millivolt seulement:** Retirez le bulbe de thermostat du collecteur avant et faites passer à l'autre côté de l'appareil de chauffage.

▲ **REMARQUE:** Utiliser des pinces à becs fins pour tirer la bande en cuivre et ainsi faciliter l'enlèvement du bulbe. Tirez et faites passer le tube et l'ampoule capillaires par la fente ovale dans le panneau intermédiaire.

▲ **ATTENTION:** Faites attention de ne pas plier le tube capillaire, car ils pourraient briser s'ils ne sont pas maniés avec soin.

8. **Appareils de chauffage électronique seulement:** Ôtez le fil de la thermistance du tableau de commande et faites-le passer par le panneau intermédiaire
9. Ôtez la soupape de purge et le boulon en laiton du socle avant et gardez-les pour la remise en place.
10. Ôtez les quatre vis du collecteur d'évacuation et retirez le collecteur d'évacuation du radiateur.
11. Ôtez les 12 noix qui retiennent le socle avant, et retirez le socle avant prudemment.

▲ **ATTENTION:** Le régulateur de dérivation et le régulateur thermique risquent de se déloger lorsqu'on enlève le socle avant. Ils doivent être correctement remis en place avant d'installer le socle avant à nouveau.

▲ **ATTENTION:** Les joints toriques du socle peuvent être utilisés de nouveau s'ils n'ont pas perdu leur forme de façon permanente. Si on installe de nouveaux joints toriques, l'huile de graissage Jack's 327 peut être appliquée libéralement aux joints toriques, de façon à les garder en place pendant l'installation du socle.

12. Soulevez et retirez l'échangeur de chaleur, et faites-le tourner de 180 degrés horizontalement.

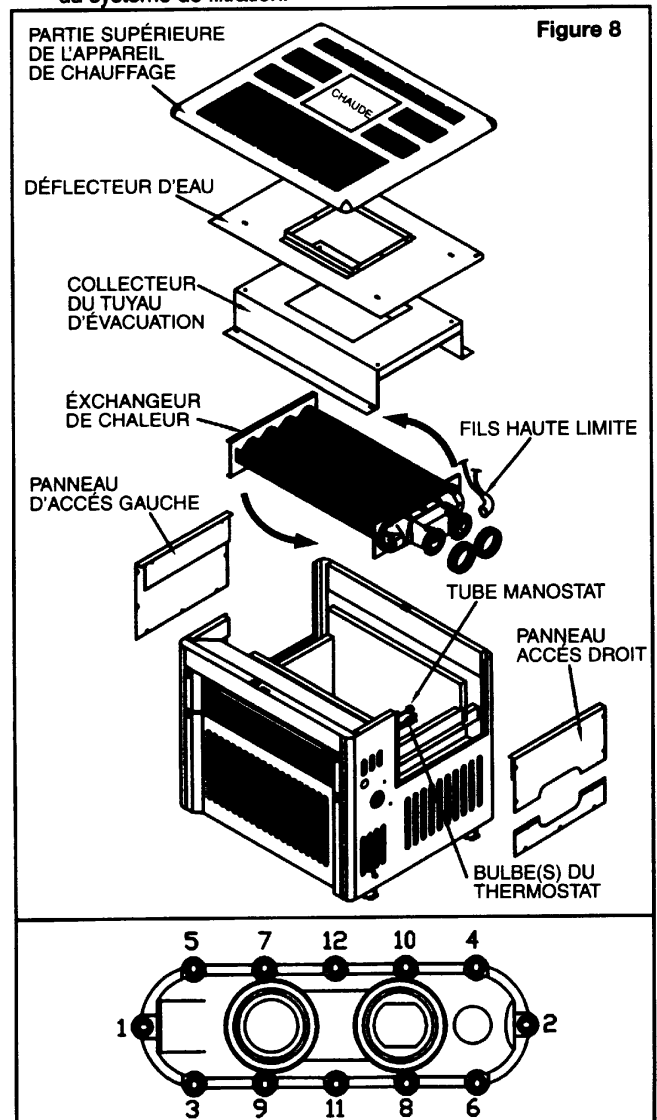
▲ **ATTENTION: NE LE FAITES PAS BASCULER À L'ENVERS. L'ÉCHANGEUR DE CHALEUR SERA ENDOMMAGÉ S'IL EST MAL INSTALLÉ.**

▲ **ATTENTION:** Prenez soin de ne pas endommager les coins supérieurs des panneaux du foyer de réchauffement.

13. Remettez le socle avant en place sur l'échangeur de chaleur (la marque Dessus, "TOP", qui se trouve sur le socle, devrait maintenant se trouver sur le bas).
14. Le noix de torsion pèsent de 5 à 7 livres et sont illustrées selon la séquence montrée dans le dessin 8. Installer dans le socle du bas la soupape précédemment ôtée. Et installer le boulon en laiton dans le dessus. Utilisez un nouveau matériau d'étanchéité sur les fils de ces pièces avant de les installer de nouveau. Serrez-les très fort.
15. Poussez le tube de l'avertisseur de pression vers le côté gauche du radiateur et guidez-le à travers le trou dans le

panneau du milieu. Insérez le tube dans le raccord et resserrez l'embout en l'appuyant contre la noix.

16. Remettez le collecteur d'évacuation et immobilisez-le avec les quatre vis. Vérifiez que les pistes isolantes qui sont sur le collecteur d'évacuation restent bien en place.
17. **Appareils de chauffage Millivolt seulement:** Guidez prudemment le tube capillaire et l'ampoule du thermostat vers le côté gauche de l'appareil de chauffage, et faites passer l'ampoule à travers la fente ovale dans le panneau intermédiaire. Remettez l'ampoule dans la base de l'ampoule, en utilisant la lame de cuivre pour bien retenir l'ampoule.
18. **Appareils de chauffage électronique seulement:** Faites passer les fils de la thermistance par le panneau intermédiaire et branchez-les dans le panneau de commande.
19. Tirez les fils à grande puissance à travers le trou ovale dans le panneau du milieu. Reliez à nouveau les fils du harnais principal aux fils des commutateurs de limite. Reliez à nouveau les fils au commutateur de pression.
20. Remettez la porte avant du radiateur en place.
21. Remettez la bande protectrice contre la pluie sur le dessus et immobilisez-la à l'aide des vis ôtées à l'étape 4.
22. Remettez le bouclier thermique arrière et immobilisez-le à l'aide des vis ôtées à l'étape 3.
23. Mettez les couvercles d'accès en place sur les côtés opposés et immobilisez-les à l'aide des vis ôtées à l'étape 2.
24. Remettez le dessus du radiateur en place.
25. Vérifiez qu'il n'y a aucune fuite après le démarrage initial du système de filtration.



## Installation extérieure avec mise à l'air libre:

Les écartements suivants d'installation et de service doivent être respectés à partir des surfaces afin d'assurer un écoulement d'air adéquat à l'appareil de chauffage.

| Installations extérieures      |
|--------------------------------|
| Dessus - Ouvert et non obstrué |
| Avant - Non obstrué            |
| Arrière - 6 po                 |
| Sol ininflammable              |
| Côté droit (côté eau) - 12 po  |
| Côté gauche - 6 po             |

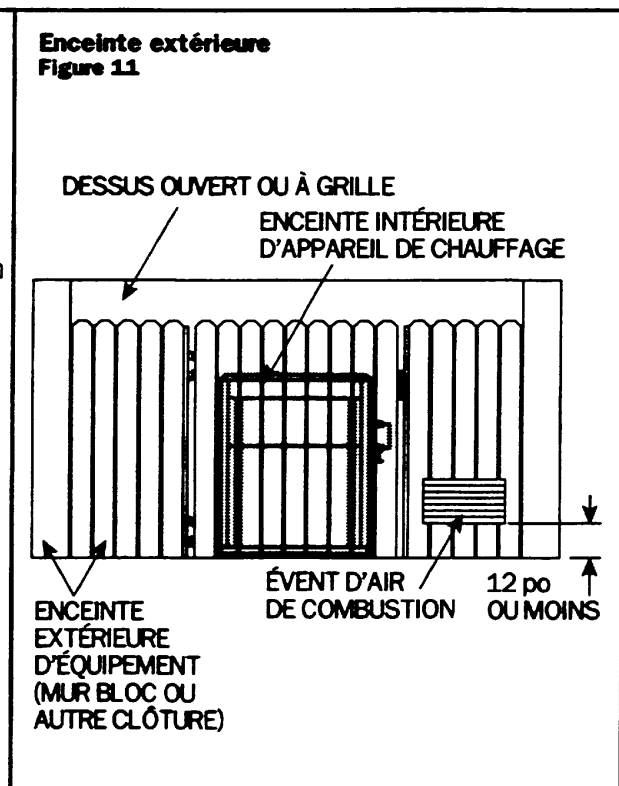
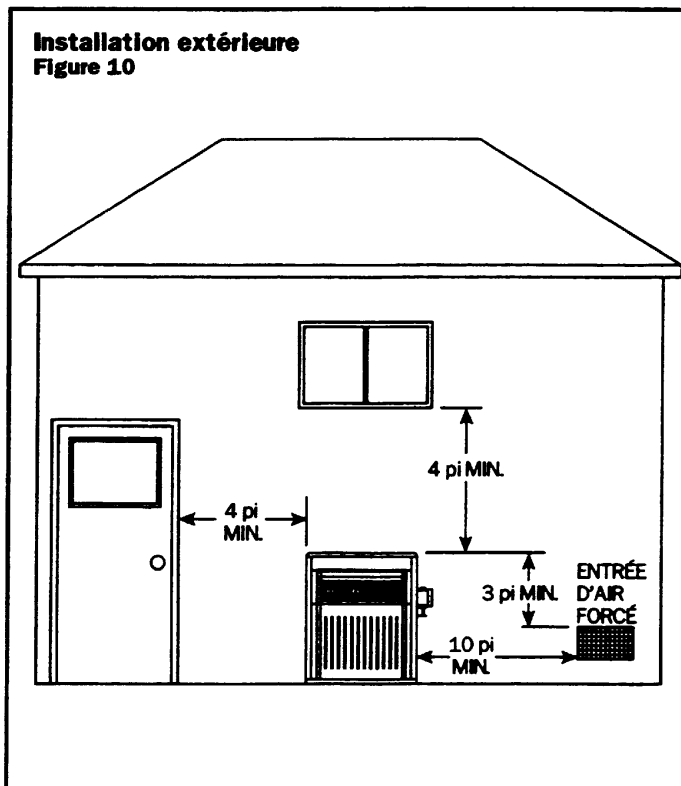
Figure 9

1. Les modèles extérieurs avec évent incorporé ou évent HWS sont à autoventilation et ne nécessitent aucun tuyau supplémentaire de mise à l'air.
2. Ne pas placer à un endroit où les arbustes en croissance peuvent finir par obstruer l'air de combustion et la mise à l'air de l'appareil de chauffage.
3. En décidant de l'emplacement d'un modèle extérieur, il ne faut pas oublier que les vents violents peuvent rouler par-dessus ou être défléchis des bâtiments, murs et arbustes adjacents et ainsi créer un tirant négatif causant l'extinction des flammes et la formation de suie, réduisant ainsi l'efficacité de la combustion et abîmant les commandes. Cette situation sera normalement évitée en plaçant l'appareil de chauffage à au moins 2 pieds de tout mur.
4. Le système de mise à l'air doit se terminer à au moins 4 pieds sous toute porte, fenêtre ou entrée d'air de gravité dans tout bâtiment, 4 pieds à l'horizontale de celle-ci ou 1 pied au-dessus de celle-

ci. La partie inférieure du terminal d'évent doit être située à au moins 12 pouces au-dessus du sol. Un système de mise à l'air doit se terminer à au moins 3 pieds au-dessus de toute entrée d'air forcé située à moins de 10 pieds. Voir Figure 10.

**AMISE EN GARDE:** (Installations canadiennes seulement) - Le système de mise à l'air ne doit pas être installé avec le dessus de l'ensemble de mise à l'air à moins de 10 pieds sous ou d'un côté ou de l'autre de toute ouverture du bâtiment.

5. Ne pas installer cet appareil sous un porte-à-faux à moins de 3 pieds depuis le dessus de l'appareil. L'aire sous le porte-à-faux doit être ouverte des trois côtés.
6. Ne pas installer l'appareil de chauffage directement sous un bord de toit en saillie qui n'est pas équipé d'une gouttière. L'eau de pluie cascadeant du bord du toit pourrait causer une panne de veilleuse ou autres problèmes de fonctionnement.
7. Ne pas installer l'appareil de chauffage là où le jet d'eau provenant des arrosoirs au sol pourrait venir en contact avec l'appareil de chauffage. L'eau de l'arrosoir pourrait causer une panne de veilleuse ou autres problèmes de fonctionnement.
8. Ne pas installer à moins de 3 pieds d'une unité de condensation de climatiseur. L'air forcé provenant d'une unité de condensation à côté de l'appareil de chauffage pourrait causer une panne de veilleuse, une mauvaise combustion, ou autres problèmes de fonctionnement.
9. Ne pas installer sous une terrasse.
10. Toute enceinte autour de l'appareil de chauffage doit assurer une ventilation de l'air de combustion commençant à moins de 12 pouces du bas de l'enceinte. L'ouverture de ventilation doit avoir une zone libre minimale de 1 pouce carré pour 4000 BTU par heure d'entrée nominale totale de tous les appareils de chauffage dans l'enceinte. Voir Figure 11.





## Installation intérieure avec mise à l'air libre

Les écartements suivants d'installation et de service doivent être respectés à partir de matériaux inflammables.

| Installations intérieures*    |
|-------------------------------|
| Dessus - 36 po                |
| Sol ininflammable             |
| Devant - Non obstrué          |
| Évent - 6 po                  |
| Alcôve - 24 po                |
| Arrière - 6 po                |
| Côté droit (côté eau) - 12 po |
| Côté gauche - 6 po            |

\*Abris extérieurs au Canada

Figure 12

### Ne pas installer dans un placard!

Pour les installations en alcôve, le chapeau de tirage (DHI) doit être installé de manière à être dans la même zone de pression atmosphérique que l'entrée d'air de combustion à l'appareil de chauffage de la piscine.

## Arrivée d'air:

Les installations intérieures et les abris extérieurs doivent être pourvus d'évents adéquats d'air de combustion et de ventilation afin d'assurer un fonctionnement approprié de l'appareil de chauffage. Ces événements doivent être de dimensions conformes aux exigences énoncées dans A. et B. ci-après et ne doivent jamais être obstrués lorsque l'appareil de chauffage est en marche.

Lorsque des ventilateurs sont utilisés dans des installations de spas, il faut veiller à assurer un air de combustion suffisant à l'appareil de chauffage à gaz en vue d'une bonne combustion. Une conduite d'air séparée est recommandée pour le ventilateur.

## Installations placées dans des espaces restreints:

- A. **Toute l'arrivée d'air vient de l'intérieur du bâtiment:** L'espace restreint doit être pourvu de deux ouvertures permanentes communiquant directement avec une ou des pièces supplémentaires de volume suffisant de manière à ce que le volume combiné de tous les espaces satisfasse aux critères d'un espace non restreint (un espace dont le volume n'est pas inférieur à 50 pieds cubiques pour 1000 BTUH). L'arrivée d'air totale de tout l'équipement au gaz installé dans l'espace combiné devra être prise en compte en faisant cette détermination. Chaque ouverture devra avoir une zone libre minimale de 1 po carré pour 1000 BTU par heure d'arrivée nominale totale de tout l'équipement à gaz dans l'espace restreint, mais non moins de 100 pouces carrés. Voir Figure 13. Une première ouverture devra être à moins de 12 po du dessus et une seconde à moins de 12 po du bas de l'enceinte.
- B. **Toute l'arrivée d'air vient de l'extérieur:** L'espace restreint devra être pourvu de deux ouvertures permanentes, une commençant à moins de 12 po du dessus et une commençant à moins de 12 po du bas de l'enceinte. Les ouvertures devront communiquer directement, ou par conduits, avec

l'extérieur ou les espaces (combles ou grenier) qui communiquent librement avec l'extérieur.

- Lorsqu'elle communique directement avec l'extérieur, chaque ouverture devra avoir une zone libre minimale de 1 po carré pour 4000 BTU par heure d'arrivée nominale totale de tout l'équipement dans l'enceinte. Voir Figure 14.
- Lorsqu'elle communique avec l'extérieur à travers des conduits verticaux, chaque ouverture devra avoir une zone libre minimale de 1 po carré par 4000 BTU par heure d'arrivée nominale totale de tout l'équipement dans l'enceinte. Voir Figure 14.
- Lorsqu'elle communique avec l'extérieur à travers des conduits horizontaux, chaque ouverture devra avoir une zone libre minimale de 1 po carré par 2000 BTU par heure d'arrivée nominale totale de tout l'équipement dans l'enceinte. Voir Figure 15.
- Lorsque des conduits sont utilisés, ils devront avoir la même superficie de section que la surface libre des ouvertures auxquelles ils sont raccordés. La dimension minimale des conduits d'air rectangulaires ne devra pas être inférieure à 3 pouces.

**▲REMARQUE:** Pour des méthodes plus détaillées d'apport d'air de combustion et de ventilation, se reporter à la toute dernière édition du National Fuel Gas Code, ANSI Z223.1.

| 1 pouce carré pour 1000 BTU par heure |                   |                    |
|---------------------------------------|-------------------|--------------------|
| Arrivée                               | Air de combustion | Air de ventilation |
| 150,000                               | 150 po carré      | 150 po carré       |
| 200,000                               | 200 po carré      | 200 po carré       |
| 250,000                               | 250 po carré      | 250 po carré       |
| 300,000                               | 300 po carré      | 300 po carré       |
| 350,000                               | 350 po carré      | 350 po carré       |
| 400,000                               | 400 po carré      | 400 po carré       |

Figure 13

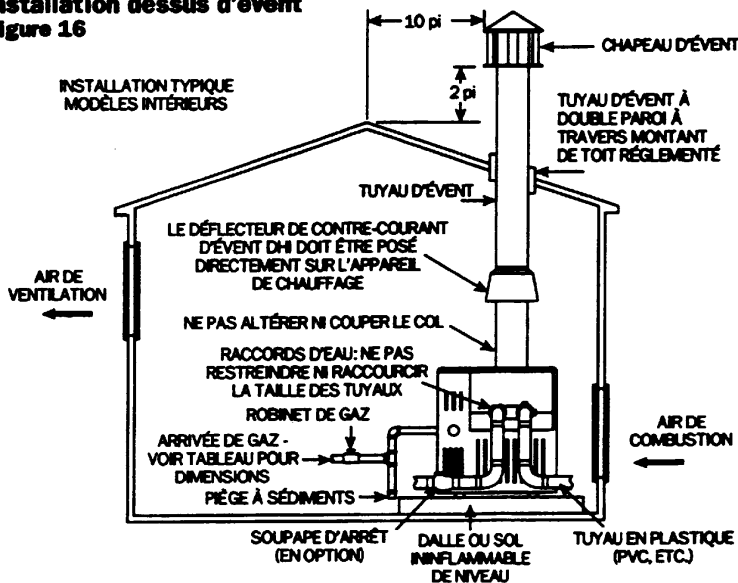
| 1 pouce carré pour 4000 BTU par heure |                   |                    |
|---------------------------------------|-------------------|--------------------|
| Arrivée                               | Air de combustion | Air de ventilation |
| 150,000                               | 37.5 po carré     | 37.5 po carré      |
| 200,000                               | 50 po carré       | 50 po carré        |
| 250,000                               | 62.5 po carré     | 62.5 po carré      |
| 300,000                               | 75 po carré       | 75 po carré        |
| 350,000                               | 87.5 po carré     | 87.5 po carré      |
| 400,000                               | 100 po carré      | 100 po carré       |

Figure 14

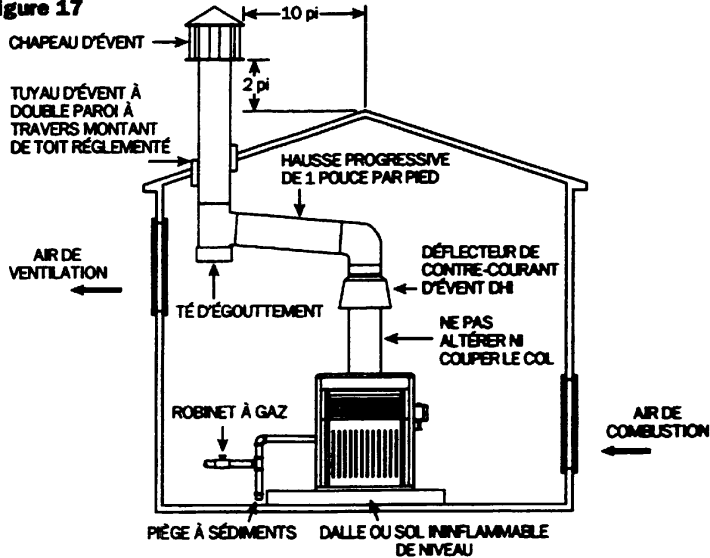
| 1 pouce carré pour 2000 BTU par heure |                   |                    |
|---------------------------------------|-------------------|--------------------|
| Arrivée                               | Air de combustion | Air de ventilation |
| 150,000                               | 75 po carré       | 75 po carré        |
| 200,000                               | 100 po carré      | 100 po carré       |
| 250,000                               | 125 po carré      | 125 po carré       |
| 300,000                               | 150 po carré      | 150 po carré       |
| 350,000                               | 175 po carré      | 175 po carré       |
| 400,000                               | 200 po carré      | 200 po carré       |

Figure 15

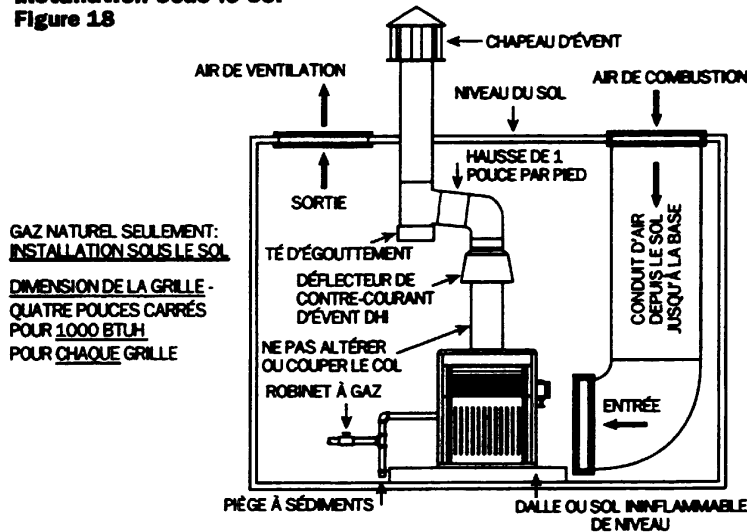
**Installation dessus d'évent**  
Figure 16



**Installation intérieure**  
Figure 17



**Installation sous le sol**  
Figure 18



## Mise à l'air libre:

Positionner l'appareil de chauffage de piscine/spa aussi près que possible d'un événement de gaz ou cheminée. Voir Figures 16, 17 et 18. Ne pas altérer le déflecteur de contre-courant d'air (DHI) d'aucune manière. Poser le déflecteur de courant (DHI) sur le dessus de l'appareil de chauffage.

L'évent doit être fait d'acier bleu ou d'acier galvanisé avec construction à double paroi en passant à travers les murs ou un plafond. Les diamètres des événements sont indiqués à la Figure 19 pour les appareils de chauffage de la série H.

| Diamètres des événements |                     |
|--------------------------|---------------------|
| Modèle                   | Diamètre de l'évent |
| H150                     | 6 po                |
| H200                     | 7 po                |
| H250                     | 7 po                |
| H300                     | 8 po                |
| H350                     | 9 po                |
| H400                     | 9 po                |

Figure 19

L'ouverture de décharge de l'évent doit être à au moins trois pieds au-dessus de la surface du toit et au moins deux pieds plus haute que toute partie d'un bâtiment à moins de dix pieds horizontalement. La cheminée de l'évent doit être d'au moins cinq pieds de hauteur au-dessus de la sortie du chapeau de tirage. L'emplacement du chapeau d'évent devra avoir un écartement minimum de 4 pieds horizontalement depuis les compteurs électriques, les compteurs à gaz, les régulateurs et les ouvertures de décharge.

Le poids de l'évent ou de la cheminée ne doit pas reposer sur le chapeau de tirage de l'appareil de chauffage. Un support doit être assuré conformément aux codes applicables. Le chapeau de tirage DHI doit être facile à enlever pour entretien et inspection. Le tuyau d'évent doit être supporté pour maintenir les écarts appropriés de substances combustibles.

Un événement faisant saillie du toit de plus de cinq pieds doit être haubané ou supporté au-dessus ou au-dessous du toit afin de protéger l'évent contre les dommages causés par le vent et/ou la neige.

## Arrivée de gaz et tuyaux de gaz:

Se reporter aux tableaux de la Figure 20 pour les dimensions des tuyaux de gaz pour systèmes à gaz naturel à basse pression, gaz propane basse pression un étage et gaz propane haute pression deux étages.

### Dimensions des tuyaux de gaz:

Suivre les codes locaux d'utilisation de gaz pour une sélection appropriée des matériaux des conduites de gaz (tuyaux en cuivre, fonte ou plastique, etc.)

**DIMENSIONS DES TUYAUX POUR GAZ NATUREL À BASSE PRESSION:** (Sur la base d'une pression de gaz de 0,5 psig ou moins et d'une baisse de pression de 0,5 po colonne d'eau.)

| DISTANCE DEPUIS LE COMPTEUR JUSQU'À L'ENTRÉE DE LA SOUPEPE DE GAZ | MODÈLE              | H150                        | H200                        | H250                        | H300                        | H350                        | H400                        |
|---|---------------------|-----------------------------|-----------------------------|-----------------------------|-----------------------------|-----------------------------|-----------------------------|
|   | BTU                 | 150,000                     | 200,000                     | 250,000                     | 300,000                     | 350,000                     | 400,000                     |
|   | MATÉRIAU DU CONDUIT | TUYAU EN FONTE OU PLASTIQUE | TUYAU EN FONTE OU PLASTIQUE | TUYAU EN FONTE OU PLASTIQUE | TUYAU EN FONTE OU PLASTIQUE | TUYAU EN FONTE OU PLASTIQUE | TUYAU EN FONTE OU PLASTIQUE |
| 0 à 50 pieds  |                     | ¾ po                        | 1 po                        | 1 po                        | 1¼ po                       | 1¼ po                       | 1¼ po                       |
| 50 à 100 pieds  |                     | 1 po                        | 1 po                        | 1¼ po                       | 1¼ po                       | 1¼ po                       | 1¼ po                       |
| 100 à 200 pieds   |                     | 1¼ po                       | 1¼ po                       | 1¼ po                       | 1½ po                       | 1½ po                       | 1½ po                       |
| 200 à 300 pieds   |                     | 1¼ po                       | 1¼ po                       | 1½ po                       | 2 po                        | 2 po                        | 2 po                        |

**DIMENSIONS DES TUYAUX POUR GAZ PROPANE À BASSE PRESSION "UN ÉTAGE":** (Sur la base d'une pression de gaz de 11. pouces colonne d'eau pression d'admission et d'une baisse de pression de 0,5 po colonne d'eau.)

| DISTANCE DEPUIS LA SORTIE DU RÉGULATEUR DU RÉSERVOIR JUSQU'À L'ENTRÉE DE LA SOUPEPE DE GAZ | MODÈLE              | H150           |            | H200           |            | H250           |            | H300           |            | H350           |            | H400           |            |
|--|---------------------|----------------|------------|----------------|------------|----------------|------------|----------------|------------|----------------|------------|----------------|------------|
|  | BTU                 | 150,000        |            | 200,000        |            | 250,000        |            | 300,000        |            | 350,000        |            | 400,000        |            |
|  | MATÉRIAU DU CONDUIT | TUYAU EN FONTE | TUBU-LLURE | TUYAU EN FONTE | TUBU-LLURE | TUYAU EN FONTE | TUBU-LLURE | TUYAU EN FONTE | TUBU-LLURE | TUYAU EN FONTE | TUBU-LLURE | TUYAU EN FONTE | TUBU-LLURE |
| 0 à 50 pieds   |                     | ¾ po           | 7/8 po     | ¾ po           | 7/8 po     | 1 po           | 1½ po      | 1 po           | 1½ po      | 1 po           | 1½ po      | 1 po           | —          |
| 50 à 100 pieds   |                     | ¾ po           | 1½ po      | 1 po           | 1½ po      | 1 po           | 1½ po      | 1 po           | —          | 1¼ po          | —          | 1¼ po          | —          |
| 100 à 200 pieds  |                     | 1 po           | 1½ po      | 1 po           | —          | 1¼ po          | —          | 1¼ po          | —          | 1¼ po          | —          | 1¼ po          | —          |
| 200 à 300 pieds  |                     | 1 po           | —          | 1¼ po          | —          | 1¼ po          | —          | 1¼ po          | —          | 1¼ po          | —          | 1½ po          | —          |

En installant un appareil de chauffage au propane sur un système de régulation à deux (2) étages, il est **TRÈS IMPORTANT** de suivre le tableau de dimensions de conduites de gaz ci-après - sans exception.

#### SYSTÈMES "DEUX ÉTAGES" HAUTE PRESSION

**DIMENSIONS DES TUYAUX DE GAZ PROPANE HAUTE PRESSION "PREMIER ÉTAGE":** (Sur la base d'une pression de gaz de 10 psig pression d'admission et d'une baisse de pression de 1 psi.)

| DISTANCE DEPUIS LA SORTIE DU RÉGULATEUR DU 1ER ÉTAGE JUSQU'À L'ENTRÉE DU RÉGULATEUR DU 2E ÉTAGE | MODÈLE              | H150           |            | H200           |            | H250           |            | H300           |            | H350           |            | H400           |            |
|---|---------------------|----------------|------------|----------------|------------|----------------|------------|----------------|------------|----------------|------------|----------------|------------|
|   | BTU                 | 150,000        |            | 200,000        |            | 250,000        |            | 300,000        |            | 350,000        |            | 400,000        |            |
|   | MATÉRIAU DU CONDUIT | TUYAU EN FONTE | TUBU-LLURE | TUYAU EN FONTE | TUBU-LLURE | TUYAU EN FONTE | TUBU-LLURE | TUYAU EN FONTE | TUBU-LLURE | TUYAU EN FONTE | TUBU-LLURE | TUYAU EN FONTE | TUBU-LLURE |
| 0 à 50 pieds  |                     | ½ po           | ½ po       | ½ po           | ½ po       | ½ po           | ½ po       | ½ po           | ½ po       | ½ po           | ½ po       | ½ po           | ½ po       |
| 50 à 100 pieds  |                     | ½ po           | ½ po       | ½ po           | ½ po       | ½ po           | ½ po       | ½ po           | ½ po       | ½ po           | 5/8 po     | ½ po           | 5/8 po     |
| 100 à 150 pieds   |                     | ½ po           | ½ po       | ½ po           | ½ po       | ½ po           | ½ po       | ½ po           | 5/8 po     | ½ po           | 5/8 po     | ½ po           | 5/8 po     |

**DIMENSIONS DES TUYAUX DE GAZ PROPANE HAUTE PRESSION "DEUXIÈME ÉTAGE":** (Sur la base d'une pression de gaz de 11. pouces colonne d'eau pression d'admission et d'une baisse de pression de 0,5 pouce colonne d'eau.)

| DISTANCE DEPUIS LA SORTIE DU RÉGULATEUR DU 2E ÉTAGE JUSQU'À L'ENTRÉE DE LA SOUPEPE DE GAZ | MODÈLE              | H150           |            | H200           |            | H250           |            | H300           |            | H350           |            | H400           |            |
|---|---------------------|----------------|------------|----------------|------------|----------------|------------|----------------|------------|----------------|------------|----------------|------------|
|   | BTU                 | 150,000        |            | 200,000        |            | 250,000        |            | 300,000        |            | 350,000        |            | 400,000        |            |
|   | MATÉRIAU DU CONDUIT | TUYAU EN FONTE | TUBU-LLURE | TUYAU EN FONTE | TUBU-LLURE | TUYAU EN FONTE | TUBU-LLURE | TUYAU EN FONTE | TUBU-LLURE | TUYAU EN FONTE | TUBU-LLURE | TUYAU EN FONTE | TUBU-LLURE |
| 0 à 10 pieds  |                     | ½ po           | 5/8 po     | ½ po           | 5/8 po     | ½ po           | ¾ po       | ¾ po           | ¾ po       | ¾ po           | 7/8 po     | ¾ po           | 7/8 po     |

Figure 20

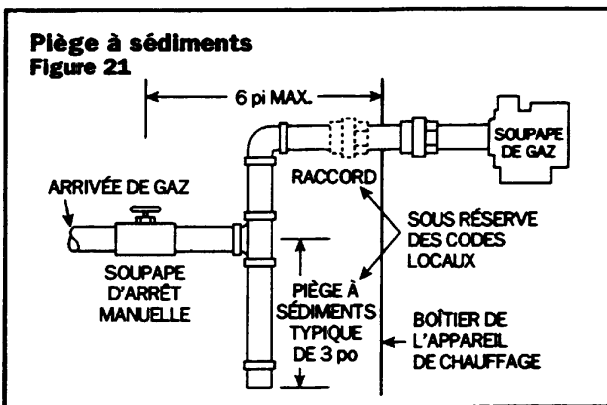
## Toutes les installations de gaz:

L'appareil de chauffage de la série H doit être installé avec un raccord de gaz situé sur le côté gauche (ou sur le côté droit, si nécessaire). Insérer le tuyau jusqu'à la soupape de gaz à travers le bouchon en plastique noir fendu en étoile dans le côté boîtier. Il est recommandé de poser un raccord à joint rodé à l'intérieur (ou à l'extérieur, si l'espace ne le permet pas) du boîtier de l'appareil de chauffage pour faciliter l'entretien du plateau du brûleur. Voir Figure 21.

Une soupape d'arrêt d'alimentation principale de gaz homologuée par l'A.G.A. doit être posée à l'extérieur du boîtier et à moins de 6 pieds de l'appareil de chauffage. La soupape d'arrêt de gaz doit avoir un D.I. suffisamment gros pour amener le volume de gaz approprié à l'appareil de chauffage.

**▲REMARQUE:** Appliquer les pâtes à joints modérément et seulement sur les filets mâles des joints de tuyau. Ne pas appliquer de pâte à joints sur les deux premiers filets. Utiliser des pâtes à joints qui résistent à l'action du gaz de pétrole liquide. Ne pas serrer excessivement le tuyau d'entrée de gaz, ce qui pourrait causer des dommages. Voir Figure 21.

Pour empêcher la saleté et l'humidité de pénétrer dans la soupape de gaz, un piège à sédiments doit être posé dans la conduite de gaz proche de la soupape. Voir Figure 21.



**Ne pas utiliser de raccords d'appareil flexibles sur des raccords de gaz à moins que le raccord ne soit homologué par l'A.G.A. pour installation extérieure et ne comporte une indication de la capacité en BTUH (qui doit être égale ou supérieure à l'entrée nominale de l'appareil de chauffage) et du type de gaz (naturel ou propane liquide) à utiliser.**

La réduction du tuyau ou du tube d'arrivée de gaz à l'entrée de la soupape de gaz de l'appareil de chauffage doit être effectuée au niveau de la soupape seulement et doit correspondre à la dimension de l'entrée de la soupape (3/4 po).

Si plus d'un appareil est posé sur la conduite de gaz, consulter la compagnie de gaz locale pour connaître la dimension appropriée de la conduite de gaz.

Pour toute question concernant l'installation de la dimension appropriée de la conduite de gaz, s'adresser au Service technique Hayward. Les numéros de téléphone se trouvent dans la section Dépannage.

## GAZ NATUREL

Le compteur de gaz doit pouvoir amener suffisamment de gaz à l'appareil de chauffage de piscine et tout autre appareil à gaz s'ils sont sur la même conduite (exemple : compteur 225 = 225 000 BTUH). En cas de doute concernant la taille du compteur, contacter la compagnie de gaz locale. Hayward **décline** toute responsabilité pour les appareils de chauffage qui produisent de la suie en raison de taille inappropriée du compteur et de la conduite de gaz, entraînant un volume inapproprié de gaz.

## GAZ PROPANE

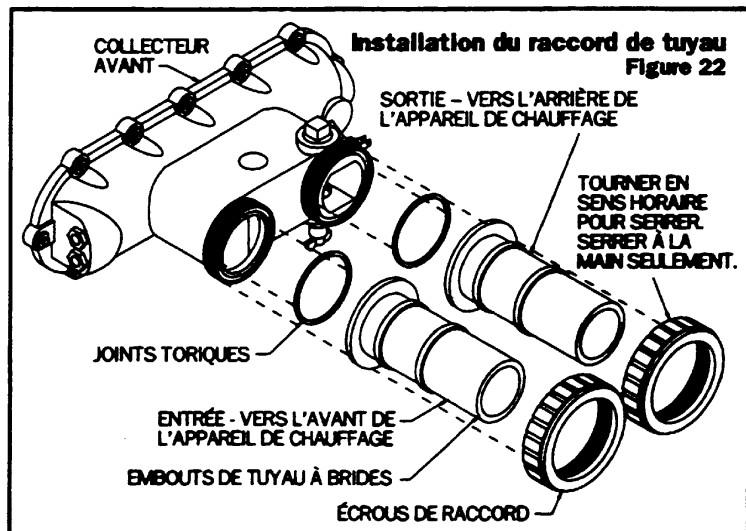
Tous les réservoirs de gaz propane doivent être placés à l'extérieur et à l'écart de la structure de la piscine ou du spa et en conformité à la norme de stockage et maniement du gaz propane, ANSI/NFPA 58 (dernière édition) et des codes locaux applicables. Si le réservoir de gaz propane est enfoui, la décharge de l'évent du régulateur doit être située au-dessus du niveau d'eau le plus élevé probable.

Les réservoirs de propane doivent avoir une capacité suffisante pour assurer une vaporisation adéquate pour la capacité maximum de l'équipement aux plus basses températures attendues. Consulter l'expert d'une compagnie de propane pour les dimensions appropriées. **▲REMARQUE:** Chaque fois qu'un double système de régulation à haute pression est utilisé pour le gaz propane, consulter un spécialiste du propane pour les mesures exactes de tuyaux et pression. S'assurer que les régulateurs de premier et deuxième étage sont de capacité suffisante pour prendre en charge l'entrée BTUH indiquée pour l'appareil ou les appareils de chauffage utilisés. Hayward **décline** toute responsabilité pour les appareils de chauffage qui produisent de la suie en raison de dimensions inappropriées de conduite de gaz ou de réservoir de propane, entraînant un volume inapproprié de gaz.

## Conduites d'eau:

L'appareil de chauffage de la série H est conçu pour usage uniquement avec l'eau de piscine et de spa, comme fourni par les systèmes municipaux de distribution d'eau. La garantie ne couvre pas l'utilisation de l'appareil de chauffage avec de l'eau minérale, de l'eau de mer, de l'eau salée ou autres eaux non potables.

N'installer aucune réduction dans la conduite d'eau entre la sortie de l'appareil de chauffage et la piscine ou le spa, à l'exception d'une soupape de commutation à trois voies et d'un appareil de chloration en ligne avec



soupape d'arrêt associée. L'obstruction de l'écoulement d'eau depuis le retour de l'appareil de chauffage jusqu'à la piscine peut provoquer un incendie ou une explosion, causant ainsi des dommages matériels, des blessures ou la mort.

### RACCORDS DE PLOMBERIE

1. L'appareil de chauffage de série H est pourvu d'embouts de tuyau à brides CPVC SCH-80, d'écrous de raccord, de joints toriques en néoprène pour utilisation avec connexions de tuyau de 2 po. La Figure 19 montre la méthode d'installation de ces pièces sur le collecteur avant.

**REMARQUE:** Monter ces pièces sur l'appareil de chauffage avant d'effectuer les raccords de plomberie. Serrer fermement les écrous de raccord avant de coller les raccords sur les extrémités des embouts de tuyau.

2. Les embouts de tuyau à brides CPVC SCH-80 doivent être posés sur l'entrée et la sortie de l'appareil de chauffage sans modification. Le plastique CPVC SCH-80 a une norme nominale ASTM de F441 et est approuvé par la NSF. Les extrémités opposées des embouts de tuyau doivent être fixées au système de filtration en fonction de l'installation particulière.

3. Le tuyau, les raccords, les soupapes et tout autre élément du système de filtration peuvent être faits de matières plastiques, si acceptable par les autorités compétentes. S'il est utilisé, un tuyau de plastique de 1 1/2 po glissera directement dans les extrémités de tuyau à brides.

4. Les dissipateurs thermiques (pièges de chaleur), les interrupteurs de pompier et les soupapes d'arrêt ne sont pas nécessaires sur les appareils de chauffage de série H. Cependant, s'il y a quelque possibilité de "contre-siphonnement" de l'eau chaude lorsque la pompe s'arrête, il est recommandé d'utiliser une soupape d'arrêt sur le tuyau d'entrée de l'appareil de chauffage.

5. La dérivation à écoulement variable qui est incorporée dans le collecteur avant maintiendra un écoulement approprié à travers l'échangeur de chaleur si le débit se situe dans la plage de l'appareil de chauffage. Voir Figure 23.

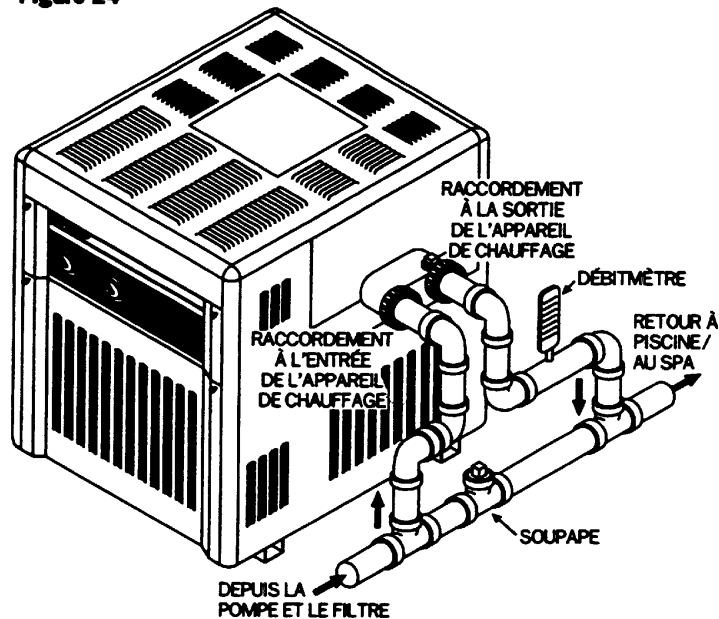
### DÉBIT RECOMMANDÉ EN GAL/MIN

| Modèle      | Minimum | Maximum |
|-------------|---------|---------|
| H150 - H400 | 25      | 125     |

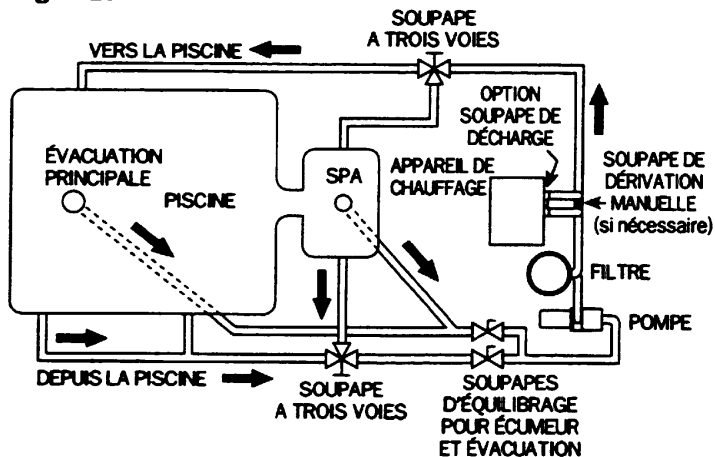
Figure 23

6. Si le débit normal de la pompe et du système de filtration dépasse 125 gal/min, une soupape de dérivation manuelle, comme illustré à la Figure 24, doit alors être posée comme suit: Poser un débitmètre sur la conduite de sortie de l'appareil de chauffage. Ajuster la soupape de dérivation manuelle jusqu'à ce

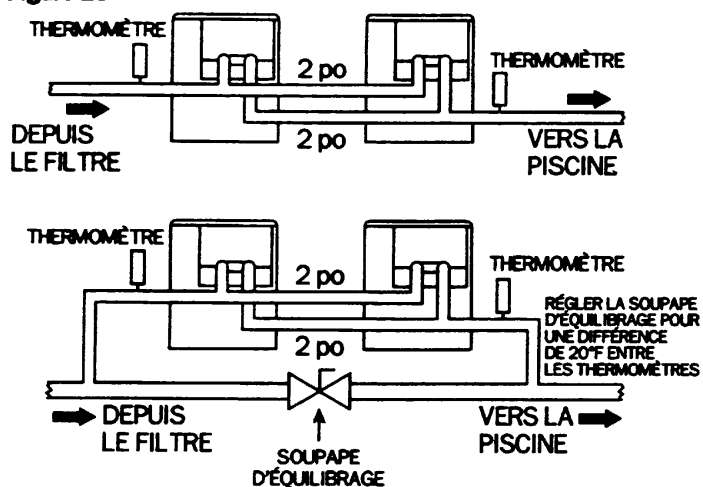
Soupape de dérivation manuelle  
Figure 24



Piomberie typique à la piscine  
Figure 25



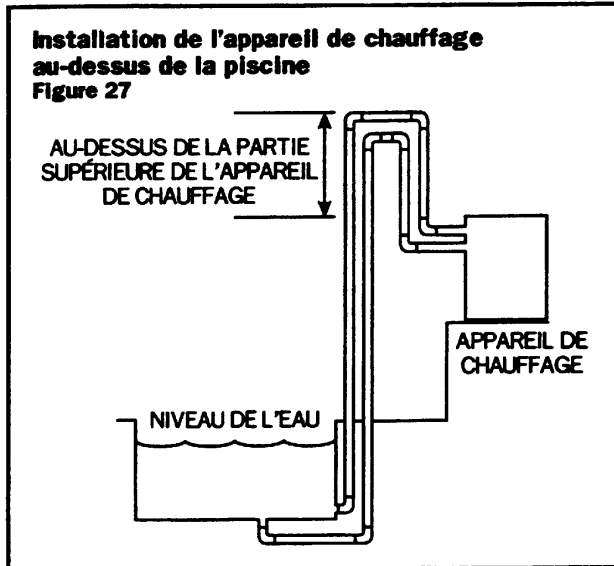
Raccordements multiples de l'appareil de chauffage  
Figure 26



que le débit soit dans les taux requis pour l'appareil de chauffage. Une fois la soupape réglée, la position doit être notée et la poignée de la soupape retirée pour éviter un ajustement ultérieur.

- La Figure 25 montre un schéma type de canalisation de piscine et l'aménagement type de l'équipement de piscine. La Figure 26 montre des usages multiples de l'appareil de chauffage pour des très grandes piscines avec et sans soupape de dérivation externe (équilibrage).

## Installation au-dessus de la surface de la piscine/du spa:



Si l'appareil de chauffage est posé à moins de trois (3) pieds au-dessus de la surface de l'eau de la piscine/du spa, poser des raccords globulaires ou des raccords à écoulement directionnel sur l'extrémité de la conduite d'eau de retour vers la piscine/le spa de manière à créer

une contre-pression adéquate au niveau de l'appareil de chauffage afin de faire fonctionner le manostat de sécurité lorsque la pompe du système de filtration est en marche.

Si l'appareil de chauffage est posé à plus de trois (3) pieds au-dessus de la surface de l'eau de la piscine/du spa, poser une boucle, comme illustré à la Figure 27, pour prévenir l'évacuation de l'eau dans l'appareil de chauffage durant le changement de filtre.

Pour une installation sous la surface de la piscine/du spa, se reporter à la Section IV.

## Appareils de chloration automatique et distributeurs de produits chimique:

S'il est employé, l'appareil de chloration doit être installé à la sortie l'appareil de chauffage dans la conduite de retour de la piscine et à une élévation plus basse que le raccordement de sortie de l'appareil de chauffage. Voir Figure 28. Poser une soupape d'arrêt distincte, résistant à la corrosion, à scellement positif (EXEMPLE: Rainbow Plastics No. 17288 ou No. 172323) entre la sortie de l'appareil de chauffage et l'appareil de chloration pour empêcher les agents désinfectants très concentrés de revenir dans l'appareil de chauffage. Le contre-siphonnement survient habituellement lorsque la pompe est mise à l'arrêt et qu'une différence pression-suction est créée.

## Soupape de surpression:

Il peut être nécessaire de poser une soupape de surpression afin de se conformer aux codes locaux de construction. Une soupape de surpression de 3/4 po avec capacité de décharge égale ou supérieure à l'entrée BTUH de l'appareil de chauffage et valeur nominale de décharge inférieure à la pression de service de l'appareil de chauffage est recommandée (voir plaque signalétique).

Une connexion NPT 3/4 po est aménagée dans le collecteur avant pour la pose d'une soupape de surpression. Voir Figure 29. La soupape devra être posée direc-

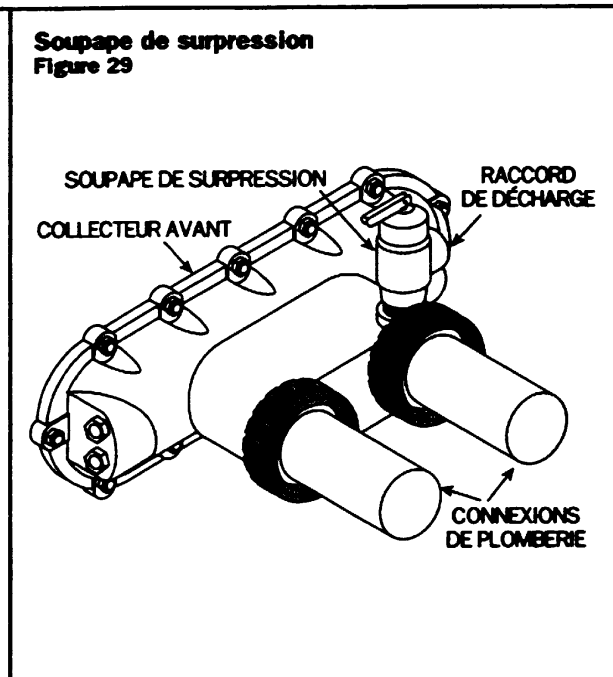
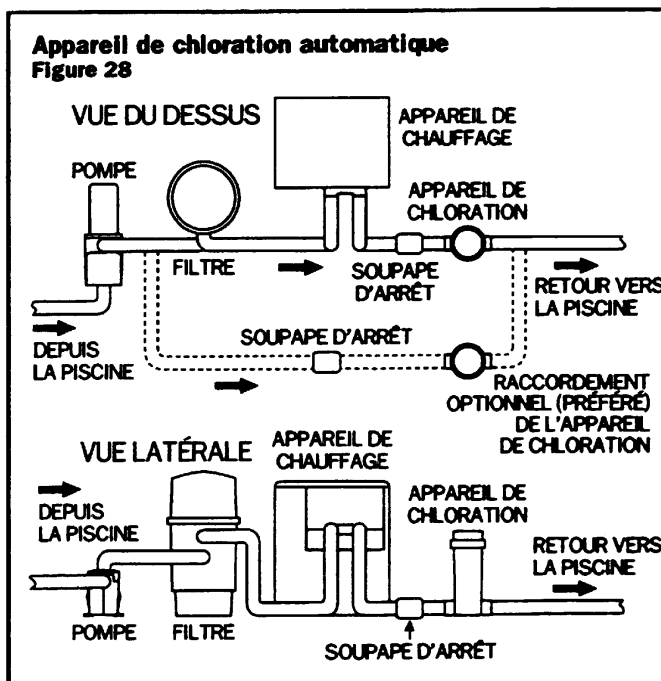
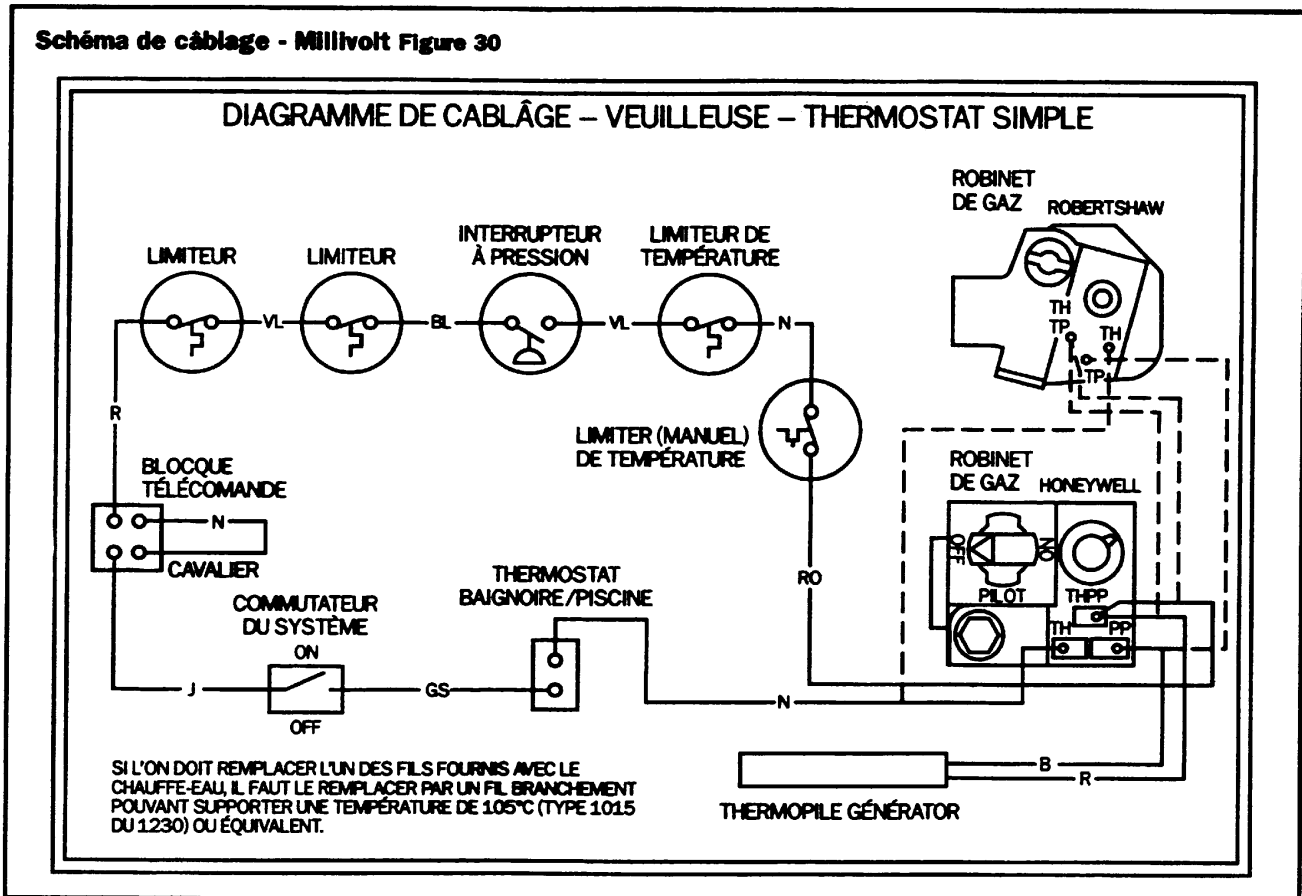


Schéma de câblage - Millivolt Figure 30



tement sur le collecteur en position verticale. Pour éviter de s'ébouillanter ou les dommages d'eau attribuables au fonctionnement de la soupape de surpression, raccorder un tuyau d'évacuation à la sortie de la soupape et ache-miner la conduite jusqu'à un lieu sûr de décharge. Le tuyau d'évacuation doit avoir au moins la même dimen-sion que la connexion de décharge de la soupape sur toute sa longueur et il doit être incliné vers le bas depuis la soupape. Aucune restriction ou soupape d'arrêt ne doit être posée entre la soupape de surpression et la dé-charge de la conduite d'évacuation. Le levier de la sou-pape doit être levé au moins une fois par an pour s'assu-rer que le passage est libre.

## Systeme millivolt:

L'appareil de chauffage actionné par millivolt est pourvu d'une veilleuse fixe et d'une thermopile (généra-trice veilleuse). Tout le courant électrique nécessaire au fonctionnement des commandes de l'appareil de chauffage est fourni par la génératrice veilleuse. Aucun câblage ou raccordement électrique extreme n'est nécessaire. Le système se compose de sept comman-des distinctes câblées en série avec la soupape de gaz. Tous les interrupteurs de ces commandes doivent être "fermés" afin que la soupape de gaz principale puisse s'ouvrir et permettre le fonctionnement de l'appareil de chauffage. Les commandes individuelles sont décrites dans la section Entretien/Réparations de ce manuel. La Figure 30 montre le câblage de l'appareil de chauffage pour les systèmes par millivolt.

## Systeme à allumage électronique:

Le système à allumage électronique est pourvu des mêmes commandes de base que l'appareil de chauffage actionné par millivolt, mais un dispositif d'allumage à étincelle directe (DS) est utilisé pour allumer automati-quement les brûleurs principaux lors de chaque demande de chaleur. Avec le module DS, ces commandes fonctionnent sur 24 volts de sorte qu'une source externe de courant est requise.

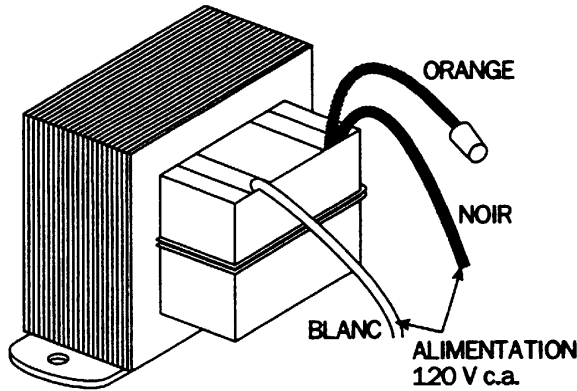
Toutes les connexions de câblage à l'appareil de chauffage doivent être effectuées conformément à la toute dernière édition du Code Électrique National ANSI/NFPA 70, sauf indication contraire des codes locaux. Au Canada, suivre ACNOR C22.1 - CODE ÉLECTRIQUE CANADIEN, Partie 1.

Étant donné qu'une source électrique externe est utilisée, l'appareil de chauffage, lorsqu'installé, doit être électriquement mis à la terre conformément aux codes locaux ou, en l'absence de codes locaux, conformément au Code Électrique National, ANSI/NFPA 70.

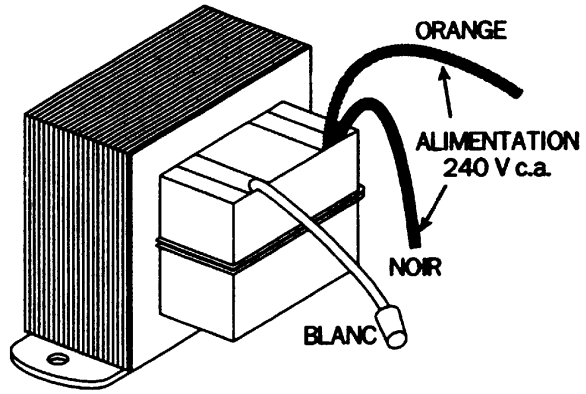
L'appareil de chauffage de série H peut être installé avec les raccordements électriques, entrée de service/ télécommande, situés du côté gauche ou droit de l'appareil de chauffage. Percer la rondelle à côté du compartiment des commandes d'un côté ou de l'autre ou des deux côtés, au besoin.

L'appareil de chauffage est pourvu d'un transforma-teur double tension pour alimentation 120 ou 240 volts. Si l'appareil de chauffage doit être câblé en série avec la pompe, le circuit électrique n'utilise que 0,3 A. Utiliser un disjoncteur de 15 A si l'appareil de chauffage est câblé à un circuit distinct.

**Connexion 120 V c.a.**  
Figure 31

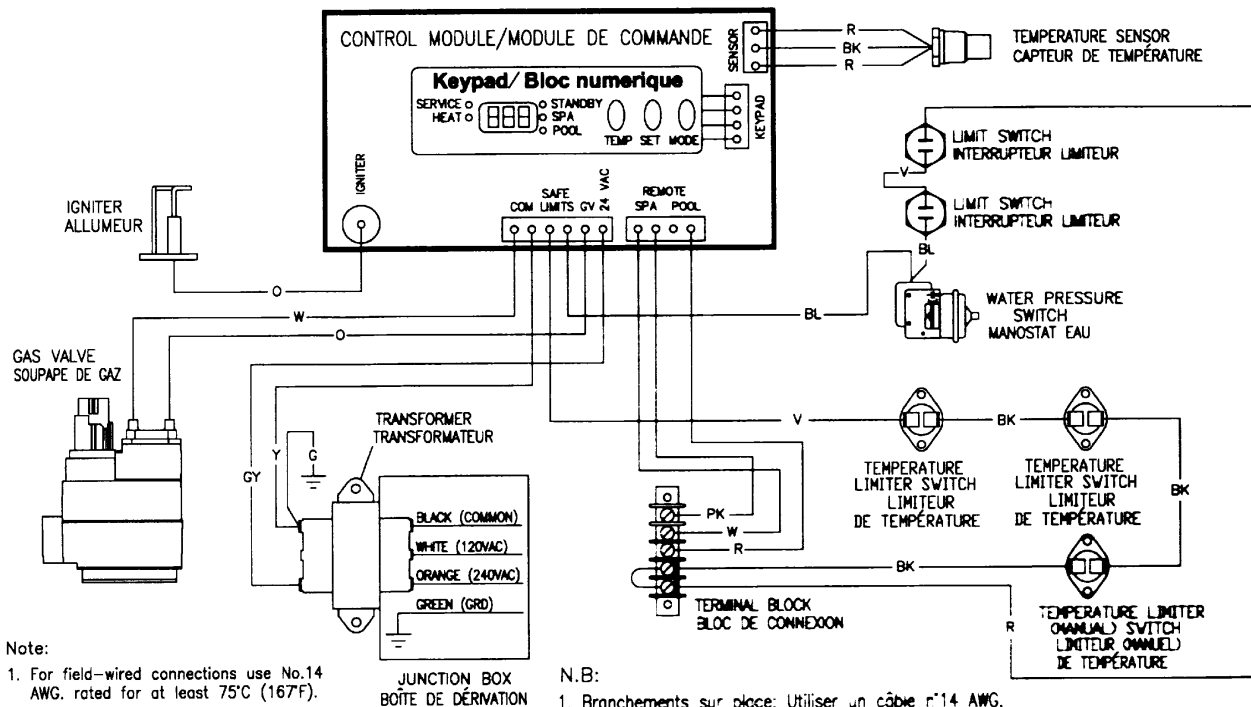


**Connexion 240 V c.a.**  
Figure 32



**Wiring Connection Diagram / Schéma de connexions**

Figure 33



**Note:**

1. For field-wired connections use No.14 AWG. rated for at least 75°C (167°F).
2. If any of the original wire as supplied with the heater must be replaced, it must be replaced with No.18 AWG. UL or CSA approved wire, rated for 600V and for 105°C.

**N.B:**

1. Branchements sur place: Utiliser un câble n°14 AWG, destiné à une température minimum de 75°C (167°F).
2. Si l'un des fils d'origine, tel qu'il a été fourni avec l'appareil de chauffage, doit être remplacé, il doit l'être avec un câble n° 18 AWG homologué UL ou CSA, convenant à 600 V et à 105°C.

1302703901

Les connexions de câblage à l'installation doivent être effectuées à l'intérieur de la boîte de dérivation située derrière la porte d'accès des commandes. Pour un appareil de chauffage alimenté par une source de 120 V, se reporter au schéma de câblage et raccorder l'alimentation au conducteur noir (commun) en au conducteur blanc (120 V). Pour un appareil de chauffage de piscine alimenté par une source de 240 V, se reporter au schéma de câblage et raccorder l'alimentation au conducteur noir (commun) et au conducteur orange (240 V). Voir Figure 32. Une patte de mise à terre à l'intérieur de

la boîte de dérivation est prévue pour raccordement du fil de terre isolé vert. Remettre le couvercle de la boîte de dérivation en place et fermer le panneau d'accès au terme du câblage sur place.

La Figure 33 montre le câblage de l'appareil de chauffage pour les systèmes à allumage électronique.



---

## Raccordement d'une commande extérieure:

Un bloc de connexion est posé dans le compartiment des commandes de l'appareil de chauffage de série H. Le câble de la commande à distance doit être tiré dans un conduit séparé. Ne pas poser ce câblage parallèlement aux câbles de haute tension.

### Appareils électroniques

Pour les câbles de moins de 30 pieds de long, utiliser du fil de calibre 22 AWG. Pour les câbles de plus de 30 pieds de long, utiliser du fil du calibre 20 AWG. La longueur du câble ne doit pas dépasser 200 pieds.

Le bornier de raccordement des commutateurs extérieurs est placé à droite de la boîte de dérivation. La boîte de dérivation se trouve sur le côté gauche du chauffe-eau. Le commutateur DIP de désactivation du thermostat interne du chauffe-eau est placé sur la plaquette de circuit imprimé. Il peut être nécessaire de modifier le réglage de ce commutateur en fonction du type de commande à distance utilisé avec le chauffe-eau.

#### *Thermostat à distance à 2 fil:*

Ce type de commande extérieure comporte son propre capteur de température pour la régulation de la température de l'eau. Pour désactiver le thermostat interne du chauffe-eau, placer le commutateur DIP Bypass en position "On". Raccorder la commande extérieure aux bornes 1 et 2 du bornier. Ne pas enlever le cavalier des bornes 4 et 5.

Pour faire fonctionner le chauffe-eau avec un thermostat à distance, la commande du chauffe-eau doit être en mode "Pool" ou "Spa". L'écran du chauffe-eau affiche "bO". Le voyant DEL "Pool" ou "Spa" est allumé. L'allumage du chauffe-eau est commandé par le thermostat à distance. Le thermostat interne du chauffe-eau sert alors à limiter la température de l'eau à un maximum de 104°F.

#### *Commutateur à distance à 2 fils:*

Ce type de commande extérieure permet d'allumer ou d'éteindre le chauffe-eau à distance. Le chauffe-eau utilise son thermostat interne pour réguler la température de l'eau. Raccorder ce type de commande sur les bornes 4 et 5. Enlever le cavalier des bornes 4 et 5. Le commutateur DIP Bypass doit être maintenu en position "Off". C'est le thermostat interne du chauffe-eau qui régule la température de l'eau. Lorsque le commutateur à distance est ouvert, le chauffe-eau est coupé et l'écran affiche "LO".

#### *Commutateur à distance à 3 fils:*

La commande à 3 fils permet de sélectionner à distance les modes "Pool" ou "Spa" du chauffe-eau. Le chauffe-eau utilise son thermostat interne pour réguler la température de l'eau.

Raccorder le fil Pool/Low de la commande extérieure à la borne 1, le fil commun à la borne 2 et le fil Spa/High à la borne 3. Ne pas enlever le cavalier des bornes 4 et 5. Le commutateur DIP Bypass doit être maintenu en position "Off".

Pour faire fonctionner le chauffe-eau avec un commutateur extérieur à 3 fils, la commande du chauffe-eau doit être en mode "Standby". Le voyant DEL Standby est allumé. Lorsque le commutateur extérieur est réglé sur "Pool/Low", la DEL Pool s'allume et l'écran affiche la température de l'eau. Lorsque le commutateur extérieur est réglé sur "Spa/High", la DEL Spa s'allume et l'écran affiche la température de l'eau. Le chauffe-eau utilise son thermostat interne pour réguler la température de l'eau en fonction du point de consigne du mode sélectionné.

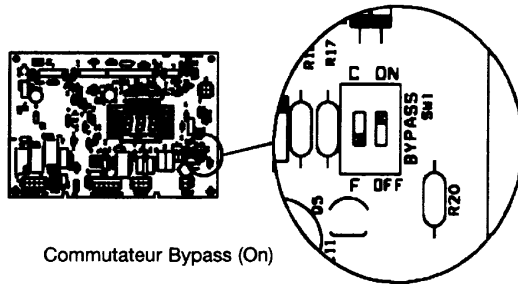
### Appareils à Millivolt

Un bloc de connexion pour brancher les thermostats à distance 2 fils se trouve sur le panneau intermédiaire.

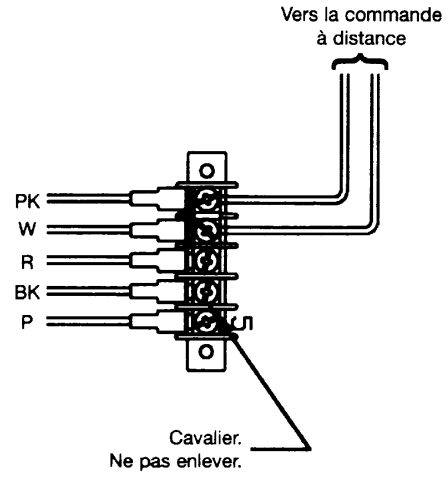
Un fil de calibre 22 AWG de haute qualité avec connexions résistantes à la corrosion doit être utilisé. La longueur du câble ne doit pas dépasser 25 pieds.

Après avoir fait la connexion, régler le thermostat au maximum et placer le commutateur de système en position "On".

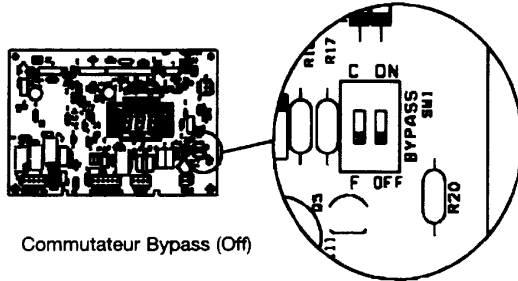
### Branchement sur un thermostat à distance à deux fils



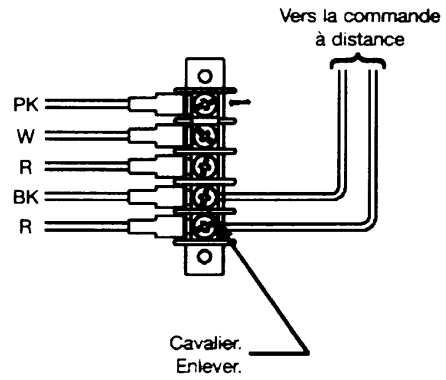
Commutateur Bypass (On)



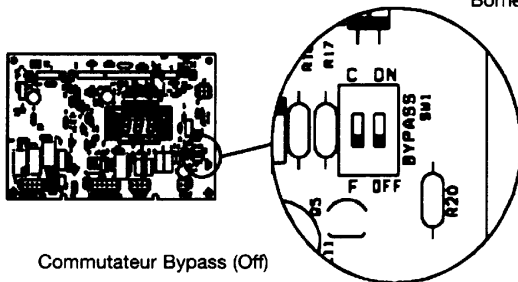
### Branchement sur un commutateur Marche/Arrêt à distance à deux fils



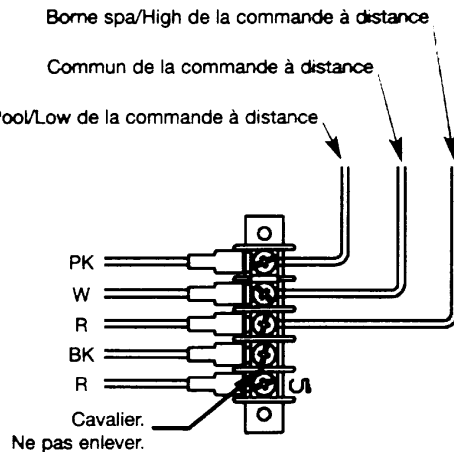
Commutateur Bypass (Off)



### Branchement sur une commande à distance à 3 fils



Commutateur Bypass (Off)



# Section IV. Vérification et mise en marche par l'installateur

## Généralités:

L'appareil de chauffage devra être en marche pour certaines des procédures suivantes. Des instructions complètes d'allumage et de mise à l'arrêt sont incluses sur les étiquettes d'instructions d'allumage posées à l'intérieur du boîtier. Les étiquettes d'instruction sont illustrées aux Figures 39 et 40. L'appareil de chauffage à millivolt doit être allumé manuellement. Les modèles à allumage électronique sont allumés automatiquement lors de chaque demande de chaleur.

L'eau doit circuler à travers l'appareil de chauffage durant le fonctionnement. Vérifier que la pompe fonctionne et que le système est rempli d'eau et purgé de tout l'air, avant de mettre l'appareil de chauffage en marche.

## Essais des conduites de gaz:

L'appareil et ses raccords de gaz doivent être vérifiés contre les fuites avant de mettre l'appareil en service. L'appareil de chauffage et sa soupape d'arrêt individuelle doivent être débranchés du système d'approvisionnement en gaz durant tout essai de pression de ce système à des pressions d'essai en sus de 1/2 psig (3,45 kPa). L'appareil de chauffage doit être isolé du système d'arrivée de gaz en fermant sa soupape d'arrêt manuelle individuelle durant tout essai de pression du système d'arrivée de gaz à des pressions d'essai égales ou inférieures à 1/2 psig (3,45 kPa).

La conduite d'arrivée de gaz doit être bouchée lorsqu'elle n'est pas raccordée. Après les essais de pression, rebrancher les conduites de gaz à la soupape de gaz. Ouvrir l'arrivée de gaz et faire l'essai de tous les joints des tuyaux de veilleuse et autres tuyaux pour y relever d'éventuelles fuites. Utiliser une solution d'eau savonneuse. La formation de bulles indique une fuite. **Ne jamais utiliser une flamme nue (allumette, briquet, chalumeau, etc.) car une fuite pourrait causer une explosion ou des blessures.** Fermer le gaz et remédier immédiatement à la fuite, fût-ce la plus petite. S'assurer de tester contre les fuites les raccords du tuyau de veilleuse et du brûleur principal en ayant recours à la méthode sus-visée une fois l'appareil de chauffage en marche.

## Procédure d'essai de pression de gaz:

Les exigences ci-après relatives à la pression de gaz sont importantes au fonctionnement approprié des brûleurs et des veilleuses dans les appareils de chauffage à gaz. Une pression ou un volume inapproprié de gaz créera les conditions suivantes:

1. La flamme brûle entièrement jaune.
2. La flamme se soulève hors du brûleur.
3. L'échangeur de chaleur produit de la suie.
4. Panne de la veilleuse sur les appareils de chauffage à millivolt.

Le régulateur de pression sur tous les appareils de chauffage de la série H est préalablement réglé à l'usine et ne nécessite normalement aucun réglage. Si la pression du gaz est inadéquate, vérifier si les tuyaux entre le compteur et l'appareil de chauffage sont de dimensions inadéquates ou si le compteur à gaz est de faible capacité.

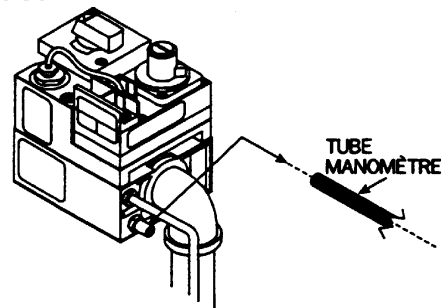
### A. Procédure d'essai de pression de gaz:

1. Obtenir le matériel nécessaire:
  - a. Manomètre pour relever la pression en pouces de colonne d'eau.
  - b. Raccord de 1/8 po (filet de tuyau de 1/8 po x 1 po de long)
  - c. Clé à molette.
  - d. Tournevis.

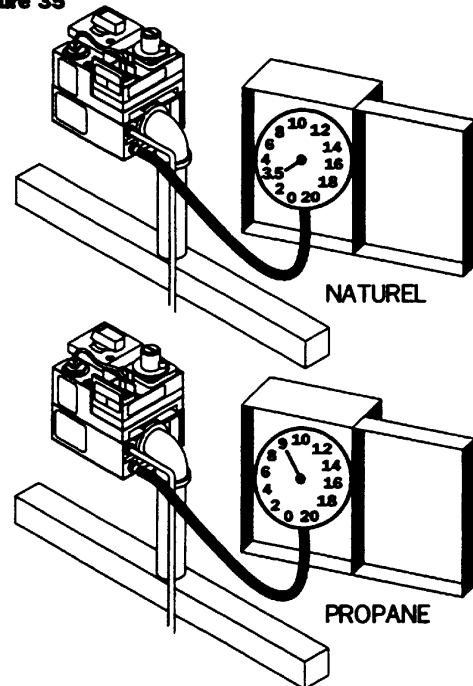
**▲AVERTISSEMENT DE SÉCURITÉ:** Ne pas retirer le bouchon de 1/8 po avec la soupape de gaz en position de marche. La soupape de gaz doit être à la position "PILOT" ou "OFF" lorsque le bouchon est enlevé.

2. Retirer le bouchon de 1/8 po de la soupape de gaz.
3. Poser le raccord de tuyau de 1/8 po dans la soupape de gaz.
4. Fixer le manomètre au raccord de tuyau de 1/8 po. Voir Figure 34.

Pression de gaz  
Figure 34



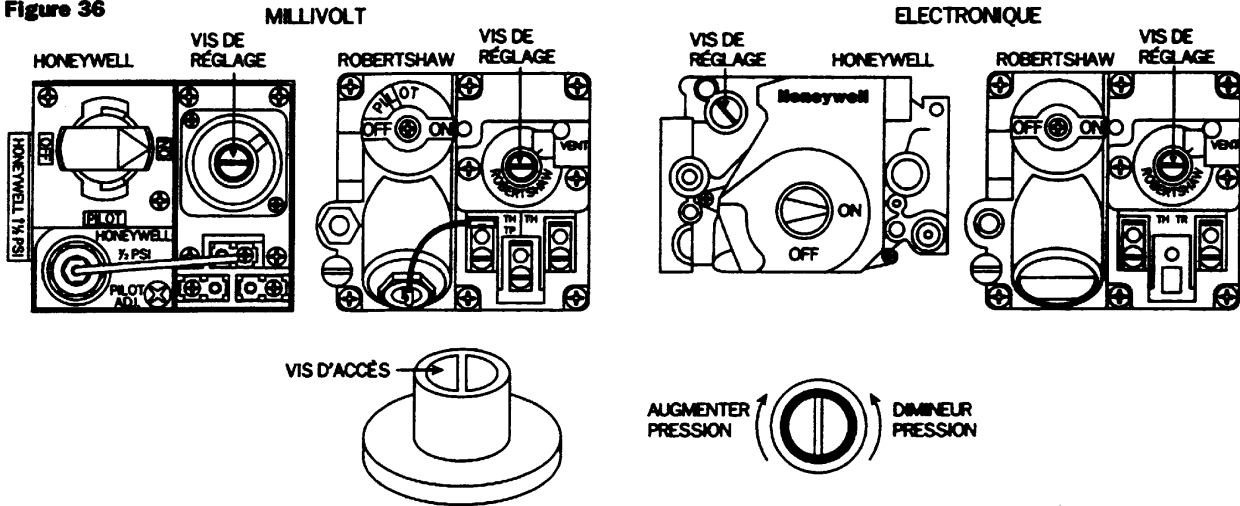
Relevé de la pression du gaz  
Figure 35



5. Ouvrir le système d'eau et mettre l'appareil de chauffage en marche en suivant les instructions d'allumage apparaissant sur l'étiquette apposée à l'intérieur du boîtier. S'il y a plus que le simple appareil de chauffage de piscine/spa raccordé à la conduite d'amenée de gaz, mettre chacun de ces appareils en marche avant de faire l'essai de l'appareil de chauffage.
6. Relever la pression avec l'appareil de chauffage en marche. Le gaz propane doit avoir 9 po de colonne d'eau. Le gaz naturel doit avoir 3,5 po de colonne d'eau. Voir Figure 35.

## Vis de réglage de soupape

Figure 36



7. Si la pression de gaz ne satisfait pas les exigences susvisés, le régulateur doit être ajusté.
- B. Procédure de réglage du régulateur de pression de gaz:
  1. Retirer la vis d'accès du régulateur de pression.
  2. Tourner la vis de réglage du régulateur en sens horaire pour augmenter la pression et en sens anti-horaire pour diminuer la pression. Remettre la vis d'accès en place. Voir Figure 36.

**⚠ AVERTISSEMENT DE SÉCURITÉ:** Ne pas retirer le bouchon de 1/8 po avec la soupape de gaz en position de marche. La soupape de gaz doit être à la position "PILOT" ou "OFF" lorsque le bouchon est enlevé.

3. Retirer le raccord de tuyau de 1/8 po et remettre le bouchon de 1/8 po en place. Si une pression appropriée ne peut être obtenue en ajustant le régulateur, l'installateur doit contacter le fournisseur de gaz et demander que la pression d'admission à l'appareil de chauffage soit réglée comme suit : Gaz naturel - 7 po colonne d'eau; gaz propane - 11 po colonne d'eau. La pression du gaz d'admission ne doit pas dépasser 10,5 po colonne d'eau pour le gaz naturel ou 13 po de colonne d'eau pour le gaz propane. L'exposition à des pressions plus élevées peut endommager la soupape de contrôle de gaz, causant ainsi des fuites ou une rupture du diaphragme. Ces dommages pourraient provoquer un incendie, une explosion ou une surchauffe du brûleur, provoquant un empoisonnement par monoxyde de carbone. La pression minimum du gaz d'admission est de 5,0 po colonne d'eau pour le gaz naturel et de 10 po colonne d'eau pour le gaz propane aux fins de l'ajustement de l'admission.

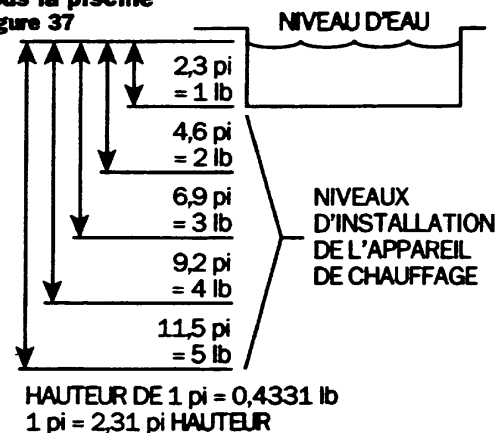
## Installation sous la surface de la piscine/du spa:

1. Nettoyer le filtre soigneusement.
2. Mettre le thermostat de l'appareil de chauffage au maximum.
3. Mettre la pompe du système de filtration en marche. S'assurer que tout l'air est sorti des conduites d'eau et que le système complet est rempli d'eau.
4. Mettre la pompe à l'arrêt, ajuster la commande du 20 manostat. (Voir "Manostat" à la page 32.)

5. Vérifier le fonctionnement du manostat en mettant la pompe en marche et à l'arrêt, ce qui entraîne le fonctionnement et l'arrêt de l'appareil de chauffage. Si l'appareil de chauffage est installé au-delà des limites de pression, un interrupteur d'écoulement doit être installé dans la conduite d'eau menant à l'appareil de chauffage.

## Installation de l'appareil de chauffage sous la piscine

Figure 37



## Pompe à deux vitesses:

Dans quelques cas, la pression d'une pompe à deux vitesses est inférieure au minimum d'une livre nécessaire au fonctionnement de l'appareil de chauffage. Ceci est apparent lorsque le manostat ne peut être ajusté ultérieurement. Dans ces cas, la pompe doit fonctionner à grande vitesse pour faire fonctionner l'appareil de chauffage. Si la configuration de la tuyauterie et de la pompe est telle que la pression minimale requise d'une livre ne peut être atteinte, ne pas tenter de faire fonctionner l'appareil de chauffage. Modifier l'installation.

**L'installation de l'appareil de chauffage, la vérification et la mise en marche initiale devraient maintenant être terminées. S'ASSURER de laisser le manuel d'installation, de fonctionnement et de service au consommateur.**

# Section V. Instructions d'utilisation et d'entretien à l'intention du consommateur

## POUR VOTRE SÉCURITÉ – LIRE AVANT USAGE

### Généralités:

L'eau doit s'écouler à travers l'appareil de chauffage durant le fonctionnement. S'assurer que la pompe est en marche et que le système est rempli d'eau et purgé de tout air avant de mettre l'appareil de chauffage en marche. Dans une piscine neuve il est recommandé de laisser le filtre en marche suffisamment longtemps pour nettoyer et purifier entièrement l'eau de la piscine et le système de filtration.

Équilibrer la composition de l'eau de la piscine/du spa et nettoyer le filtre. Suivre ensuite les instructions ci-après.

### Composition de l'eau de la piscine/du spa:

Voir également la Figure 38. La teneur minérale de l'eau de la piscine augmente chaque jour en raison de l'ajout de produits chimiques de désinfection de la piscine et du phénomène d'évaporation naturelle. L'excès de minéraux se déposera sur les parois de la piscine, dans le système de filtration et dans les tubes de l'échangeur de chaleur si la teneur minérale est trop élevée.

Un changement régulier de l'eau du spa et le maintien de l'équilibre chimique approprié dans la piscine/le spa maintiendra la piscine ou le spa sûr et sanitaire, et protégera l'appareil de chauffage et sa garantie. Il convient d'acheter un bon nécessaire d'analyse d'eau "DPD" et de vérifier souvent les niveaux suivants de produits chimiques:

**CHLORE OU BROME** – Niveau recommandé de 1 à 4 ppm. Analyser avant usage.

**pH** – Niveau idéal recommandé de 7,4 à 7,6. Des valeurs **ÉLEVÉES** réduisent l'efficacité de l'agent de désinfection. Des valeurs **FAIBLES** sont corrosives.

**ALCALINITÉ TOTALE** – 80 à 120 ppm. Analyser chaque semaine durant une utilisation régulière. Des valeurs **FAIBLES** sont corrosives et causent des changements rapides du pH lors de l'ajout de produits chimiques.

**DURETÉ CALCIQUE** – 200 à 400 ppm. Analyser chaque fois qu'on remplit la piscine ou le spa. Des valeurs **FAIBLES** de dureté peuvent être très corrosives.

Il ne faut pas oublier que l'ajout de produits chimiques peut changer les niveaux de chlore, le pH et l'alcalinité totale.

Il est recommandé de changer l'eau d'un spa résidentiel tous les 2 à 3 mois pour prévenir les problèmes

d'eau. Il peut être nécessaire de changer l'eau des spas publics toutes les semaines, ou même tous les jours, suivant l'utilisation.

### Utilisation des appareils de chloration et des distributeurs de produits chimiques:

Suivre les instructions fournies avec tout appareil de chloration automatique ou manuel et distributeur de produits chimiques. Tous les produits chimiques doivent être introduits et dilués dans l'eau de la piscine ou du spa avant d'être circulés à travers l'appareil de chauffage. **Ne pas placer des comprimés de chlore ou des bâtonnets de brome directement dans l'écumeur.** Il peut s'ensuivre des concentrations élevées en produits chimiques lorsque la pompe ne fonctionne pas. Les concentrations élevées en produits chimiques causeront une corrosion très rapide de l'échangeur de chaleur. Ces dommages ne sont pas couverts par la garantie.

### Fonctionnement de l'appareil de chauffage:

Des instructions complètes d'allumage et de mise à l'arrêt sont fournies sur l'étiquette d'instructions d'allumage posée à l'intérieur du boîtier. Les étiquettes d'instructions apparaissent aux Figures 39 et 40. L'appareil de chauffage à millivolt doit être allumé manuellement. Les modèles à allumage électronique sont allumés automatiquement lors de chaque demande de chaleur.

**▲MISE EN GARDE:** Si une odeur de gaz se fait sentir à proximité de l'appareil ou du sol (**LE PROPANE EST PLUS LOURD QUE L'AIR ET DONC SE DÉPOSE SUR LE SOL**), arrêter et suivre les instructions sur la couverture avant. Étant donné que le propane peut s'accumuler dans les espaces restreints, des précautions spéciales doivent être prises en allumant les appareils de chauffage au propane. Il est toujours plus sûr de garder la tête bien à l'écart de l'ouverture inférieure de la boîte de combustion en allumant l'appareil de chauffage.

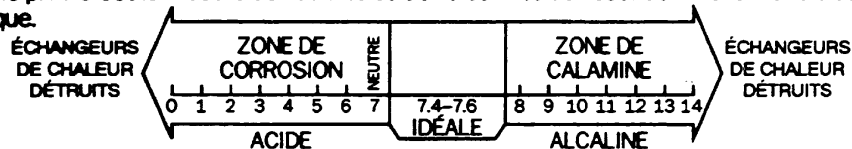
**▲REMARQUE:** Ne pas utiliser l'appareil à une température inférieure à 40°F sans protection adéquate contre la température. Ne pas utiliser l'appareil de chauffage pendant qu'un appareil de nettoyage automatique de piscine est en marche.

### Données au sujet de la chimie de l'eau:

**FACTEURS** qui influent sur l'eau de la piscine/du spa et, surtout, sur l'efficacité et le fonctionnement de l'appareil de chauffage de piscine/spa.

1. FILTRATION APPROPRIÉE
2. CIRCULATION APPROPRIÉE
3. DÉSINFECTION ET OXYDATION
4. CONTRÔLE DU pH ET ALCALINITÉ TOTALE
5. CONTRÔLE DES ALGUES

En quoi consiste le pH ? C'est la mesure de l'acidité ou de l'alcalinité de l'eau. Comme le montre ce tableau, c'est une mesure critique.



Hayward recommande l'utilisation d'un nécessaire d'analyse à quatre voies pour obtenir:

1. pH MIN./MAX. (7,2 à 7,8)
2. CHLORE RÉSIDUEL (1,0 à 3,0 ppm), BROME (2,0 à 4,0 ppm)
3. ALCALINITÉ TOTALE (80 à 100 ppm) pour calcium, lithium et hypochlorite de sodium, ou (100 à 120 ppm) pour le dichlorure et trichlorure de sodium et le brome.
4. DURETÉ CALCIQUE (200 à 400 ppm)

Figure 38

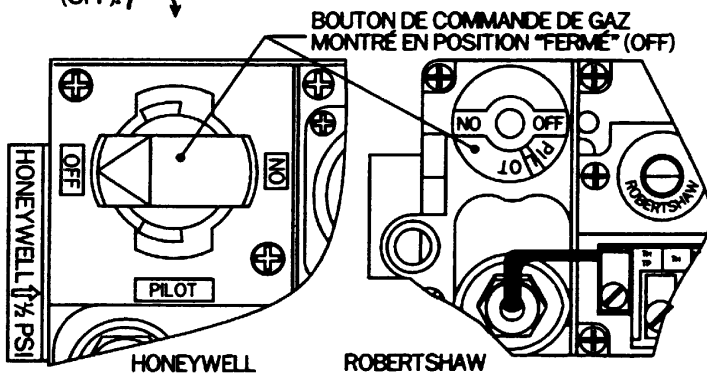
## POUR VOTRE SÉCURITÉ - LIRE AVANT L'ALLUMAGE

**MISE EN GARDE:** Si vous ne suivez pas exactement ces instructions, un incendie ou une explosion pourrait survenir et causer des dommages à la propriété, des blessures corporelles ou la perte de la vie.

- A. Cet appareil est muni d'une veilleuse qui doit être allumée manuellement. Pour l'allumage de la veilleuse, suivre exactement ces instructions:
- B. **AVANT L'ALLUMAGE**, sentir tout autour de l'appareil pour déceler d'éventuelles odeurs de gaz. S'assurer de sentir près du plancher pare que les gaz plus lourds que l'air se concentrent au niveau du plancher.  
**QUE FAIRE EN PRÉSENCE D'ODEURS DE GAZ:**
  - Ne pas essayer d'allumer l'appareil.
  - Ne pas toucher à un commutateur électrique; Ne pas utiliser le téléphone dans la maison.
  - Appeler immédiatement fournisseur de gaz chez un voisin. Suivre les instructions du fournisseur de gaz.
  - Si le fournisseur ne peut être atteint, appeler le service des incendies.
- C. Utiliser uniquement les mains pour actionner les boutons de commande du gaz. Ne jamais utiliser d'outils. Si le bouton ne s'enfonce pas ou ne se tourne pas à la main, ne pas essayer de la réparer. Appeler un technicien qualifié. L'utilisation de la force ou une tentative de réparation pourrait causer un incendie ou une explosion.
- D. Ne pas utiliser cet appareil si une des composantes a été immergée dans l'eau. Appeler immédiatement un technicien qualifié pour vérifier l'appareil et remplacer toute composante du système de commande ou de gaz qui aurait été immergée dans l'eau.
- E. Si le système surchauffait ou si le gaz refusait de se fermer placer le robinet d'arrêt manuel de gaz de l'appareil en position ferme.

## INSTRUCTIONS D'ALLUMAGE

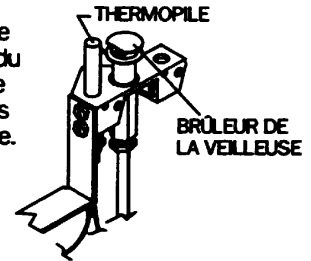
1. **ARRÊTER!** Lire les informations de sécurité plus haut sur cette étiquette.
2. Tourner le thermostat de commande au point le plus bas.
3. Régler le commutateur du système sur le panneau de commande en position "FERMÉ" (OFF).
4. Enlever le panneau avant du chauffe-eau.
5. Enfoncer légèrement le bouton de commande du gaz et le tourner dans le sens horaire jusqu'à "FERMÉ" (OFF).



**NOTE:** Le bouton ne peut pas être tourné de "VEILLEUSE" (PILOT) à "FERMÉ" (OFF) à moins que le bouton soit légèrement enfoncé. Ne pas forcer.

6. Attendre cinq (5) minutes pour dissiper le gaz. S'il y a une odeur de gaz, **ARRÊTER!** Suivre les directives "B" dans les informations de sécurité audessus de l'étiquette. S'il n'y a pas d'odeur de gaz, passer à l'étape suivante.

7. Localiser la veilleuse suivre le tube métallique à partir du robinet de gaz. La veilleuse est située près du tube des brûleurs à l'extrême gauche.
8. Tourner le bouton sur le robinet de gaz des le sens antihoraire à "VEILLEUSE" (PILOT).
9. Pousser le bouton de commande jusqu'au fond et le maintenir. Pousser le bouton d'allumage plusieurs fois pour allumer la veilleuse. Continuer à maintenir enfoncé le bouton de commande pendant environ une (1) minute après que la veilleuse sont allumée. Relâcher le bouton et il retournera à sa position initiale. La veilleuse doit demeurer allumée. Si elle s'éteint, répétez la procédure de 5 à 9.
  - Si le bouton ne revient pas à sa position lorsqu'il est relâché, arrêter et appeler immédiatement votre technicien d'entretien ou votre fournisseur de gaz.
  - Si la veilleuse ne demeure pas allumée après plusieurs essais, placer le bouton de commande de gaz en position "FERMÉ" (OFF) et appeler votre technicien d'entretien ou votre fournisseur de gaz.
10. Placer le bouton de commande de gaz en position "OUVERT" (ON).
11. Replacer le panneau avant du chauffe-eau.
12. Régler le l'interrupteur du système sur le panneau de commande en position "OUVERT" (ON).
13. Tourner le thermostat sur le panneau de commande à la température désirée.



## POUR FERMER LE GAZ SUR L'APPAREIL

1. Tourner le thermostat sur le panneau de commande au plus bas point.
2. Régler le commutateur du système sur le panneau de commande en position "FERMÉ" (OFF).
3. Enlever le panneau avant au chauffe-eau.
4. Enfoncer légèrement le bouton de commande du gaz et tourner dans le sens horaire en position "FERMÉ" (OFF). Ne pas forcer.
5. Replacer le panneau avant au chauffe-eau.

# Instructions d'utilisation - Allumage électronique

## FOR YOUR SAFETY READ BEFORE LIGHTING

**WARNING:** If you do not follow these instructions exactly, a fire or explosion may result causing property damage, personal injury or loss of life.

- This appliance does not have a pilot. It is equipped with an ignition device which automatically lights the burners. Do not try to light the burners by hand.
- BEFORE LIGHTING** smell all around the appliance area for gas. Be sure to smell next to the floor because some gas is heavier than air and will settle on the floor.

### WHAT TO DO IF YOU SMELL GAS

- Do not try to light any appliances.
  - Do not touch any electric switch; do not use any phone in your building.
  - Immediately call your gas supplier from a neighbor's phone. Follow the gas supplier's instructions.
  - If you cannot reach your gas supplier, call the fire department.
- Use only your hand to turn the gas control knob. Never use tools. If the knob will not turn by hand, don't try to repair it; call a qualified service technician. Force or attempted repair may result in a fire or explosion.
  - Do not use this appliance if any part has been under water. Immediately call a qualified service technician to inspect the appliance and to replace any part of the control system and any gas control which has been under water.
  - Should over-heating occur, or the gas supply fails to shut off, turn off manual gas valve to the appliance.

## POUR VOTRE SÉCURITÉ LIRE AVANT L'ALLUMAGE

**MISE EN GARDE:** Si vous ne suivez pas exactement ces instructions, un incendie ou une explosion pourrait survenir et causer des dommages à la propriété, des blessures corporelles ou la perte de la vie.

- Cet appareil n'a pas de pilote. Un mécanisme d'allumage automatique pour les brûleurs. N'essayer pas d'allumer les brûleurs à la main.
- AVANT L'ALLUMAGE**, sentir tout autour de l'appareil pour détecter d'éventuelles odeurs de gaz. S'assurer de sentir près du plancher parce que les gaz plus lourdes que l'air se concentrent au niveau du plancher.

### QUE FAIRE EN PRÉSENCE D'ODEURS DE GAZ

- Ne pas essayer d'allumer l'appareil.
  - Ne pas toucher à un commutateur électrique; Ne pas utiliser le téléphone dans la maison.
  - Appeler immédiatement fournisseur de gaz chez un voisin. Suivre les instructions du fournisseur de gaz.
  - Si le fournisseur ne peut pas être atteint, appeler le service des incendies.
- Utiliser uniquement les mains pour actionner les boutons de commande du gaz. Ne jamais utiliser d'outils. Si le bouton ne s'enfonce pas ou ne se tourne pas à la main, ne pas essayer de le réparer. Appeler un technicien qualifié. L'utilisation de la force ou une tentative de réparation pourrait causer un incendie ou une explosion.
  - Ne pas utiliser cet appareil si une des composantes a été immergée dans l'eau. Appeler immédiatement un technicien qualifié pour vérifier l'appareil et remplacer toute composante du système de commande de gaz qui aurait été immergée dans l'eau.
  - Si le système surchauffait ou si le gaz refusait de se fermer, placer le robinet d'arrêt manuel de gaz de l'appareil en position ferme.

## OPERATING INSTRUCTIONS

- STOP! Read the safety information on this label.
- Change the "MODE" on the control panel to "STANDBY."
- Remove the heater's front access panel.
- This appliance is equipped with an ignition device which automatically lights the burners. Do not try to light the burners by hand.
- Turn gas control knob clockwise ↻ to "OFF"
- Wait five (5) minutes to clear out any gas. If you then smell gas, STOP! Follow "B" in the safety information on this label. If you don't smell gas, go to the next step.
- Turn gas control knob counterclockwise ↺ to "ON."
- Replace the heater's front access panel.
- Set the "MODE" on the control panel to "SPA" or "POOL."
- Set the set point temperature on the control panel to the desired setting.
- If the appliance does not operate, repeat steps 2 through 10. If the appliance still does not operate, follow instructions "TO TURN OFF GAS TO APPLIANCE" and call your service technician or gas supplier.

GAS CONTROL  
KNOB SHOWN  
IN "OFF"  
POSITION



## TO TURN OFF GAS TO APPLIANCE

- Change the "MODE" on the control panel to "STANDBY."
- Remove the heater's front access panel.
- Turn gas control knob clockwise ↻ to "OFF."
- Replace the heater's front access panel.

## INSTRUCTIONS D'ALLUMAGE

- STOP! Lire les consignes de sécurité sur cette étiquette.
- Changer le MODE du tableau de commande à STANDBY.
- Retirer le panneau d'accès avant de l'appareil de chauffage.
- Cet appareil est pourvu d'un dispositif d'allumage qui allume automatiquement les brûleurs. Ne pas tenter d'allumer manuellement les brûleurs.
- Tourner le bouton de commande du gaz en sens ↻ horaire à OFF (fermé).
- Attendre cinq (5) minutes que tout gaz se dissipe. Arrêter si l'on sent alors une odeur de gaz. Suivre B dans les consignes de sécurité de cette étiquette. Passer à l'étape suivante en l'absence d'odeur de gaz.
- Tourner le bouton de commande du gaz en sens anti-horaire ↺ à ON (ouvert).
- Remplacer le panneau d'accès avant de l'appareil de chauffage.
- Régler le MODE du tableau de commande à SPA ou à POOL.
- Établir la valeur de réglage sur le tableau de commande à la température désirée.
- Si l'appareil ne fonctionne pas, répéter les étapes 2 à 10. Si l'appareil refuse toujours de fonctionner, suivre les instructions *Pour tourner le gaz à l'appareil* et appeler son technicien de service ou son fournisseur de gaz.

BOUTON DE  
COMMANDE  
DE GAZ MONTRÉ  
EN POSITION  
"FERMÉ" (OFF)



## POUR FERMER LE GAZ SUR L'APPAREIL

- Changer le MODE du tableau de commande à STANDBY.
- Retirer le panneau d'accès avant de l'appareil de chauffage.
- Tourner le bouton de commande du gaz en sens horaire ↻ à OFF (fermé).
- Remplacer le panneau d'accès avant de l'appareil de chauffage.

## ▲ Mise en garde:

Ne pas ingérer d'alcool ou de drogues durant ou avant l'utilisation de la piscine ou du spa. L'ingestion de ces intoxicants peut causer une somnolence qui peut mener à une perte de conscience et subséquemment provoquer une noyade.

Ne pas faire chauffer l'eau de la piscine ou du spa à une température de plus de 102°F. Une température de 100°F est considérée comme étant sûre pour un adulte en bonne santé. Une eau plus chaude accroît le risque d'hyperthermie. Des précautions spéciales sont suggérées pour les jeunes enfants.

Les femmes enceintes doivent être vigilantes.

L'immersion dans l'eau à une température de plus de 102°F (39°C) peut causer des lésions au fœtus durant les trois premiers mois de la grossesse (causant ainsi la naissance d'un enfant avec lésions cérébrales ou d'un enfant difforme). Les femmes enceintes doivent s'en tenir à une température maximale de 100°F (38°C).

Avant d'entrer dans le spa, les utilisateurs doivent vérifier la température de l'eau à l'aide d'un thermomètre exact; les thermostats du spa peuvent présenter une erreur allant jusqu'à quatre degrés Fahrenheit (2,2°C) dans la régulation des températures d'eau.

Les personnes présentant des antécédents médicaux de maladies cardiaques, de problèmes circulatoires, de diabète ou de troubles de tension artérielle ne doivent utiliser les spas qu'après obtenu le conseil de leur médecin.

Les personnes prenant des médicaments qui provoquent une somnolence, tels que des calmants, des anti-histaminiques ou des anticoagulants, ne doivent pas utiliser les spas.

L'utilisation thérapeutique de la piscine ou du spa ne doit être entreprise que sur les conseils d'un médecin. Toujours remuer l'eau de la piscine ou du spa avant d'entrer dans la piscine ou le spa pour incorporer toute couche chaude en surface pouvant dépasser les limites de température sûre et causer des blessures.

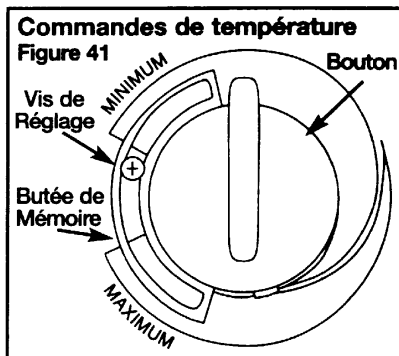
Ne pas altérer les commandes, car des brûleurs pourraient s'ensuivre si les commandes de sécurité ne sont pas en bon état.

## Commandes de température:

### Appareils de chauffage Millivolt

Les appareils de chauffage à Millivolt sont pourvus d'un thermostat. Le thermostat et l'interrupteur système sont montés sur le tableau de commande. Le thermostat règle la température de la piscine et le spa. L'interrupteur de système permet de mettre l'appareil de chauffage en marche ou à l'arrêt. Voir Figure 41.

La butée de mémoire constitue un moyen manuel de bloquer le réglage maximum désiré de température pour la piscine et/ou le spa. Une fois déterminé le réglage de température désiré du bouton, on ajuste la butée de mémoire en desserrant une vis de réglage, en tournant la butée de mémoire à la position du bouton et en resserrant la vis de réglage. Les commandes doivent être définies et vérifiées à l'aide d'un thermomètre exact



immergé dans la piscine ou le spa.

### Appareils de chauffage électroniques:

Les appareils de chauffage électroniques sont pourvus d'une commande de température digitale avec réglages indépendants pour la température de la piscine ou du spa. La commande de température digitale se trouve sur le tableau de commande. Le thermostat digital comprend une touche MODE, des touches UP (HAUT) ou DOWN (BAS) pour régler la température, un écran de diode électronique luminescente (DEL), et cinq DEL de statut.

Pour allumer l'appareil de chauffage, commuter la touche mode à POOL ou à SPA. La température d'eau est alors affichée. Pour régler la température de la piscine ou le spa, enfoncer la touche UP ou DOWN : la valeur de réglage de la température clignotera.

Continuer à enfoncer la touche UP ou DOWN pour changer la température de la piscine ou du spa, jusqu'à ce que la valeur désirée s'affiche. L'écran s'affichera la température actuelle de l'eau après approximativement 15 secondes. La température peut être affichée soit en Fahrenheit soit en Celsius. Pour passer à l'affichage en degrés Celsius, placer le commutateur DIP no1 (au dos de la plaque de circuit imprimé) en position "C".

Dans les modes POOL ou SPA, la température actuelle de l'eau s'affiche sur l'écran. Lors de la mise en marche de l'appareil de chauffage, le DEL de chauffage s'allume. Lorsqu'une anomalie se produit pendant l'allumage ou le fonctionnement de l'appareil de chauffage, le DEL de service s'allumera et un code diagnostique s'affichera. Une liste des DEL indicateurs et les codes de pannes se trouvent ci-dessous :

| DEL de Statut |  |
|---------------|--|
| DEL           | Explication  |
| STANDBY       | S'allume quand l'appareil de chauffage est à l'arrêt.                                    |
| SPA           | S'allume quand l'appareil de chauffage est dans le mode "SPA"                            |
| POOL          | S'allume quand l'appareil de chauffage est dans le mode "POOL"                           |
| SERVICE       | S'allume quand une anomalie est remarquée. Un code diagnostique s'affichera sur l'écran. |
| HEATING       | S'allume quand l'appareil de chauffage est en marche.                                    |

| Codes de pannes |                                       |
|-----------------|---------------------------------------|
| Code            | Explication                           |
| SF              | Panne du capteur de température       |
| HS              | Température d'eau de retour excessive |
| LO              | Contacteur de limite ouvert           |
| IF              | Panne d'allumage; système verrouillé. |
| HF              | Signal de détection de fausse flamme  |

## Inspection périodique:

L'appareil de chauffage de série H est conçu et construit en vue d'une longue durée de vie lorsqu'il est installé et utilisé conformément aux instructions du fabricant. Une inspection régulière par des préposés de service qualifiés est recommandée afin de maintenir l'appareil de chauffage en bon état de fonctionnement. Les points d'inspection suivants sont suggérés pour aider à accroître au maximum la durée de vie de l'appareil de chauffage:



1. Vérifier périodiquement le système de mise à l'air libre sur les appareils de chauffage extérieurs. Les zones de mise à l'air de l'appareil ne doivent jamais être obstruées de quelque manière que ce soit, et des écarterments minimaux doivent être observés afin de prévenir une restriction de l'air de combustion et de ventilation. Il ne faut pas oublier que les arbustes poussent et peuvent parfois obstruer les zones de mise à l'air d'un appareil de chauffage.
2. Vérifier la mise à l'air libre sur les appareils de chauffage intérieurs pour y relever d'éventuelles pièces lâches et fuites. Garder toutes les ouvertures d'air de combustion et de ventilation libres et non obstruées.
3. Garder toute la zone de l'appareil de chauffage de la piscine propre et exempte de tous débris, matières combustibles, essence et autres vapeurs et liquides inflammables. Retirer les feuilles ou le papier autour de l'appareil de chauffage.
4. Ne pas ranger de chlore, d'autres produits chimiques pour piscines, ou autres substances corrosives à proximité de l'appareil de chauffage.
5. Si l'appareil de chauffage fonctionne au gaz propane, le réservoir de propane ne doit pas se vider à moins de 30 %, ce qui pourrait abîmer l'appareil de chauffage. Hayward **décline** toute responsabilité au titre des appareils de chauffage qui s'encrassent en raison d'un niveau inapproprié de gaz dans le réservoir, produisant ainsi un volume inadéquat de gaz.
6. Si un autre appareil est ajouté subséquemment à la conduite de gaz, consulter la compagnie de gaz locale pour s'assurer que la conduite de gaz pourra alimenter simultanément les deux unités à capacité maximale.
7. Ne pas utiliser l'appareil de chauffage si une pièce quelconque a été immergée dans l'eau. Contacter un technicien de service qualifié pour inspecter l'ensemble de l'appareil de chauffage et remplacer toute pièce du système de commande ou de la soupape de gaz qui était sous l'eau. Si l'appareil de chauffage a été entièrement immergé dans l'eau, celui-ci doit être remplacé au complet.
8. Un programme d'inspection constitue une bonne mesure d'entretien préventif. Conserver ce manuel en lieu sûr pour consultation future et également pour un technicien de service en inspectant ou en réparant l'appareil de chauffage. Les procédures d'inspection supplémentaires devant être effectuées par un technicien de service qualifié sont traitées dans la Section VI. de ce manuel.

## Hivernisation:

Dans un climat tempéré, l'appareil de chauffage peut continuer à fonctionner durant des périodes froides à court terme. Ne pas utiliser l'appareil de chauffage pour maintenir la température de l'eau juste au-dessus du point de congélation ou pour protéger contre le gel. Prendre les mesures nécessaires pour éviter le gel dans l'appareil de chauffage. Lorsqu'elle est utilisée sous le point de congélation, la pompe **doit** fonctionner continuellement. L'appareil de chauffage n'est pas garanti contre le gel.

Dans les régions où la température chute en bas du point de congélation, toute l'eau **doit** être vidée de l'appareil de chauffage lorsque celui-ci est retiré du service pour éviter d'abîmer l'appareil de chauffage et la

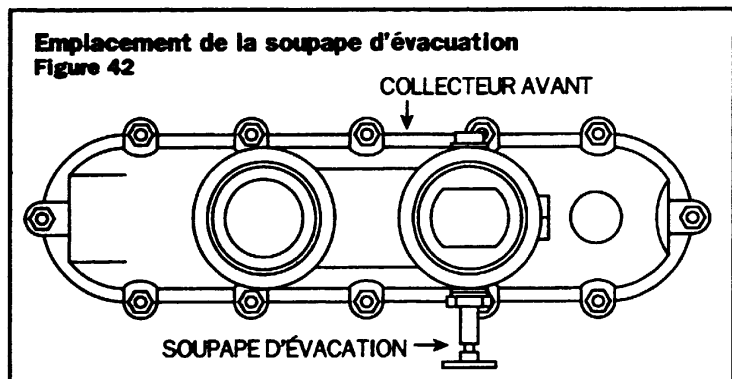
tuyauterie. Il est recommandé de vider l'échangeur de chaleur dans le cadre des procédures de mise à l'arrêt saisonnière.

**UN APPAREIL DE CHAUFFAGE ABÎMÉ PAR LE GEL N'EST PAS COUVERT PAR LA GARANTIE DU FABRICANT.**

## Ouverture de la soupape d'évacuation: (Voir Figure 42)

(Installations au-dessus de la piscine seulement)

1. Baisser le ou les thermostats de l'appareil de chauffage au minimum. Mettre l'interrupteur système à la position "OFF". Couper le courant si l'appareil de chauffage a l'allumage électronique.
2. Mettre la soupape de gaz de l'appareil de chauffage à la position "OFF".
3. Mettre la soupape manuelle de gaz à l'extérieur de l'appareil de chauffage à la position d'arrêt.
4. S'assurer que la pompe de circulation est à l'arrêt.
5. Ouvrir la soupape d'évacuation sur le collecteur avant et laisser toute l'eau se vider de l'appareil de chauffage.
6. Laisser la soupape d'évacuation ouverte jusqu'à la remise en service printanière.



## Remise en service printanière:

1. Inspecter et nettoyer l'appareil de chauffage, en s'assurant que l'appareil de chauffage est exempt de feuilles et de débris avant la mise en service.
2. S'assurer que les tuyaux d'admission et de sortie sont dûment fixés à l'appareil et que la soupape d'évacuation est fermée.
3. Mettre la pompe du système de filtration en marche et laisser le système fonctionner suffisamment longtemps pour purger tout l'air des conduites.
4. Mettre la soupape manuelle de gaz à l'extérieur de l'appareil de chauffage à la position de marche.
5. APPAREILS DE CHAUFFAGE À MILLIVOLT: Suivre les instructions d'allumage de l'appareil de chauffage pour allumer la veilleuse et mettre la soupape de gaz de l'appareil de chauffage à la position "ON". APPAREILS DE CHAUFFAGE À ALLUMAGE ÉLECTRONIQUE: Mettre sous tension, suivre les instructions de fonctionnement de l'appareil de chauffage et mettre la soupape de gaz à la position "ON".
6. Mettre l'interrupteur système à la position "ON" pour appareils de chauffage à un seul thermostat ou à la position "POOL" ou "SPA" pour appareils de chauffage à deux thermostats et tourner le ou les thermostats au réglage désiré de température. Garder l'eau à une température sûre.
7. Pour tout problème de fonctionnement, solliciter l'assistance d'une entreprise de service qualifiée.

# Section VI. Technicien qualifié - Entretien/Réparations

## Généralités:

**▲IMPORTANT:** Seuls des techniciens de service qualifiés, ayant le matériel d'essai approprié, doivent être autorisés à réparer l'appareil de chauffage. Il ne faut pas oublier que tous les composants du système ont un effet sur le fonctionnement de l'appareil de chauffage. Avant de procéder aux conseils de dépannage liés à l'appareil de chauffage abordés dans la Section VII, s'assurer que la pompe fonctionne correctement, que les filtres et les tamis ne sont pas colmatés, que les soupapes des tuyaux sont positionnées adéquatement et que les horloges sont dûment réglées.

**▲MISE EN GARDE:** Ne tenter de réparer aucun composant de l'appareil de chauffage. Ne modifier l'appareil de chauffage d'aucune manière. Ceci pourrait causer des défaillances qui pourraient provoquer la mort, des blessures ou des dommages matériels. Vérifier auprès du consommateur si quelque partie que ce soit de l'appareil de chauffage a été immergée dans l'eau. Remplacer toute pièce du système de commande et toute commande de gaz qui a été sous l'eau. Ne jamais utiliser ni tenter d'utiliser des pièces usagées.

## Entretien:

Il est recommandé d'effectuer les procédures d'inspection suivantes dans le cadre de l'entretien annuel de l'appareil de chauffage et pour assurer un fonctionnement sûr.

1. Échangeur de chaleur externe
2. Échangeur de chaleur interne
3. Schémas de flamme du brûleur principal et de la veilleuse (appareil de chauffage à millivolt seulement)
4. Orifices du brûleur principal et orifice de la veilleuse (appareil de chauffage à millivolt seulement)
5. Commandes de fonctionnement

Les procédures d'inspection sont abordées ci-après. Certaines des procédures nécessiteront le débranchement et le retrait des fils dans le compartiment des commandes. Voir la section Accès aux commandes ci-après.

## Accès aux commandes:

On a accès à certaines des commandes en retirant

le tableau de commande à l'avant de l'appareil de chauffage. Voir Figure 43.

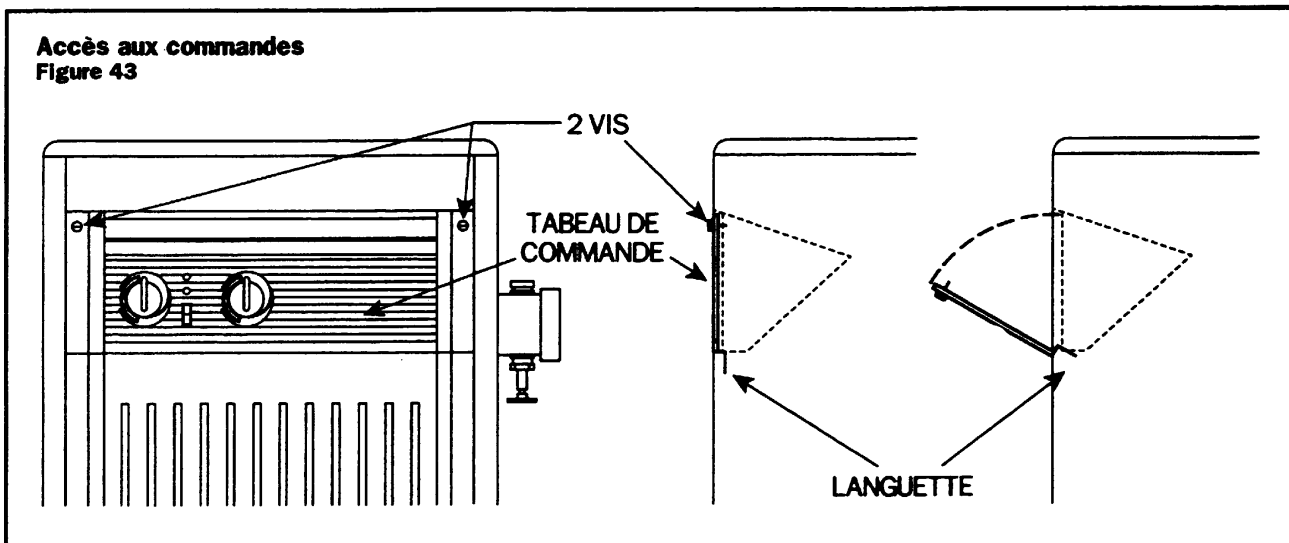
1. Tourner en sens anti-horaire les deux vis qui retiennent la porte du tableau de commande.
2. Ouvrir le tableau de commande pour avoir accès aux commandes de fonctionnement.
3. **▲ATTENTION:** Étiqueter tous les fils avant de débrancher lors de la réparation des commandes. Les erreurs de câblage peuvent causer un fonctionnement inapproprié et dangereux.
4. S'assurer d'un fonctionnement approprié après la réparation.
5. Au terme de la réparation, fermer la porte du tableau de commande et fixer en tournant les vis en sens horaire.

## Inspection et nettoyage externes de l'échangeur de chaleur:

Inspecter les surfaces externes de l'échangeur de chaleur pour y relever toute accumulation de suie. La suie qui s'est éventuellement accumulée sur les tuyaux doit être enlevée, et on doit remédier à sa cause.

La suie présente sur un échangeur de chaleur peut prendre feu par une étincelle quelconque ou par une flamme nue. Pour prévenir cette situation, humecter tous les dépôts de suie à l'aide d'une brosse mouillée ou d'eau pulvérisée avant de réparer ou de nettoyer l'échangeur de chaleur. On peut enlever la suie à l'aide d'une brosse métallique ou d'eau pulvérisée à haute vitesse après la dépose de l'échangeur de chaleur. (Voir procédure de dépose ci-après). Bien que l'échangeur de chaleur doive être départi de la suie et remis en place dans l'appareil de chauffage, on doit rechercher les causes de la formation de suie qui peut indiquer d'autres problèmes tels que:

- Arrivée d'air insuffisante
- Mise à l'air inadéquate
- Pression du gaz trop élevée ou trop basse
- Obstruction des ouvertures d'air secondaires
- Positionnement inapproprié de l'appareil de chauffage
- Dimension incorrecte du tuyau d'arrivée du gaz
- Écoulement d'eau excessif à travers l'échangeur de chaleur
- Bas niveau de PL dans le réservoir (rempli à moins de 30 %)



## Dépose de l'échangeur de chaleur:

1. Couper l'eau, le gaz et l'électricité à l'appareil de chauffage. Voir Figure 8. Vider l'échangeur de chaleur.
  2. Soulever et enlever le dessus de l'appareil de chauffage.
  3. Retirer les vis des panneaux d'accès gauche et droit et retirer les panneaux.
  4. Retirez les vis du protecteur thermique arrière et retirez le protecteur thermique.
  5. Retirez les vis du pare-pluie supérieur et retirez le pare-pluie.
  6. Retirez les fils des interrupteurs de limite sur le collecteur avant.
  7. Retirez le tube de manostat du collecteur avant et tirez-le à travers la fente ovale du panneau intermédiaire.
  8. **Appareils de chauffage Millivolt seulement:** Retirez le bulbe de thermostat du collecteur avant et faites passer à l'autre côté de l'appareil de chauffage.
- ▲ **REMARQUE:** Utiliser des pinces à becs fins pour tirer la bande en cuivre et ainsi faciliter l'enlèvement du bulbe.
9. **Appareils de chauffage électronique seulement:** Retirez le thermistance du collecteur avant.
  10. Retirez les quatre vis du collecteur de cheminée et retirez le collecteur de cheminée de l'appareil de chauffage.
  11. Desserez les écrous de raccord et détacher les conduites de la piscine du collecteur avant.
  12. Soulever l'échangeur de chaleur hors de l'appareil de chauffage et enlever la suie ou remplacer au besoin.
  13. Inverser la procédure susvisée pour le remontage.

## Chambre de combustion:

▲ **IMPORTANT:** Inspecter le matériau réfractaire FireTile™ pour y relever tout dommage avec l'échangeur de chaleur déposé. Remplacer le matériau réfractaire, au besoin. Tirer les plaques réfractaires vers l'extérieur individuellement, avant et arrière en premier, puis les côtés. Inverser la procédure pour le remontage.

## Inspection et nettoyage internes de l'échangeur de chaleur:

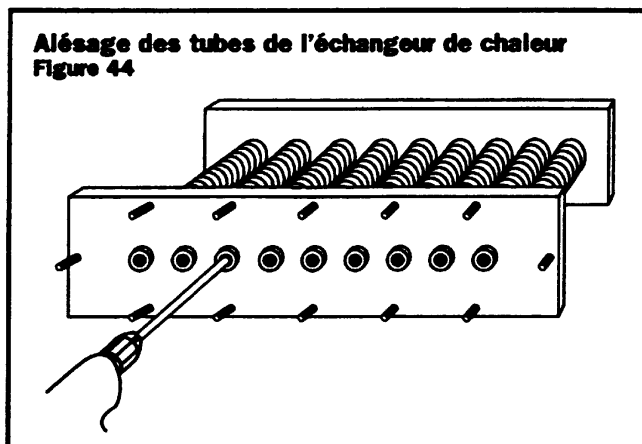
L'échangeur de chaleur doit être inspecté périodiquement pour y relever toute accumulation de calamine de chaux sur les surfaces intérieures des tubes.

### DÉPOSE DES COLLECTEURS AVANT ET ARRIÈRE

1. Couper l'eau, le gaz et l'électricité à l'appareil de chauffage de la piscine.
2. Vider l'échangeur de chaleur à travers la soupape d'évacuation du collecteur avant.
3. Retirer les vis des panneaux d'accès gauche et droit et retirer les panneaux.
4. Retirez les fils des interrupteurs de limite sur le collecteur avant.
5. Retirez le thermistance du collecteur.
6. Retirez le tube de manostat du collecteur.
7. Desserrer les écrous de raccord et détacher les conduites de la piscine du collecteur avant.
8. Retirez les 12 écrous à embase à collerette du collecteur et retirez le collecteur et le joint torique. Inspecter les 9 tubes de l'échangeur de chaleur pour y relever toute accumulation de calamine de chaux. Si l'échangeur de chaleur a besoin d'être nettoyé, utiliser les méthodes de nettoyage d'alésage ou à l'acide décrites ci-après.

### A. Alésage:

Cette méthode ne nécessite pas la dépose de tout l'échangeur de chaleur de l'appareil de chauffage. Les tubes peuvent être alésés à l'aide d'un alésoir à pointe au carbure et d'une brosse métallique de 1 po. Pour faciliter l'alésage, sécher d'abord l'échangeur de chaleur et retirer fréquemment l'alésor pour enlever la poudre de chaux et empêcher le grippage. Voir Figure 44.



### B. Nettoyage à l'acide:

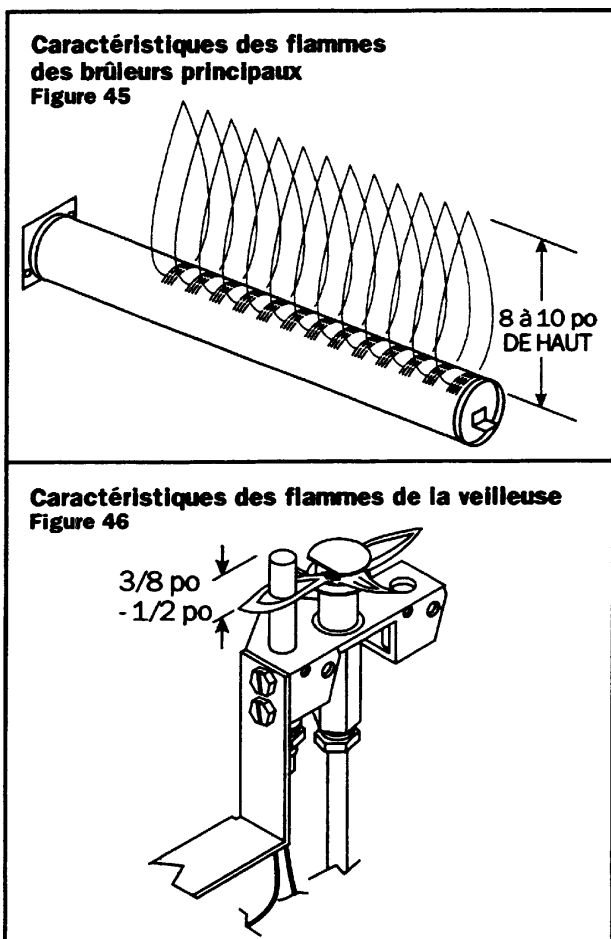
Cette méthode nécessite la dépose du reste de l'échangeur de chaleur de l'appareil de chauffage. Suivre les étapes 2, 4, 8 et 10 sous dépose de l'échangeur de chaleur. L'échangeur peut être immergé dans une solution d'acide muriatique (3 parties d'eau pour 1 partie d'acide). La solution d'acide muriatique enlèvera la cuivre lentement; il faut donc veiller à ne pas laisser l'échangeur rester dans la solution trop longtemps. Lorsque les tubes sont propres, rincer l'ensemble soigneusement à l'aide d'une solution de soude à l'ammoniaque de commerce pour neutraliser tout résidu acide. Si les tubes sont corrodés ou amincis par l'usure, examiner et corriger tout problème hydraulique. Les problèmes hydrauliques peuvent résulter d'une composition incorrecte de l'eau, d'un écoulement d'eau lent ou excessif, de la présence de métaux dans l'eau, etc.

Inverser les procédures susvisées pour le remontage.

Il est recommandé d'utiliser un lubrifiant ininflammable sur les goujons de montage avant de réinstaller les écrous à embase à collerette. Serrer les écrous à embase à collerette dans un ordre quelconque et serrer chaque écrou jusqu'à un couple de 65 à 75 lbs-po (5,50 à 6,25 lbs-pi). Le niveau de calamine dépend des conditions locales de l'eau et de l'intensité de l'utilisation. Les tubes doivent être inspectés après 60 jours d'utilisation et à nouveau après 120 jours d'utilisation. Un horaire d'inspection de routine peut être préparé sur la base de la quantité des dépôts de calamine relevés dans les tubes.

## Inspection et nettoyage du brûleur:

L'appareil de chauffage étant en marche, retirer la porte avant et procéder à une inspection visuelle de la veilleuse et des brûleurs principaux. Il peut être nécessaire d'utiliser un miroir, placé sur le fond de l'appareil de chauffage sous les brûleurs, pour visualiser les flammes des brûleurs principaux. Celles-ci doivent être d'environ 8 à 10 pouces de haut et ne doivent pas "se soulever" des orifices des brûleurs. Voir Figure 45. Les flammes doivent avoir des manchons bien définis avec le bas de 2 à 3 pouces bleu passant au jaune vers le haut. Une flamme entièrement jaune ou "paresseuse" peut être une indication d'un mélange riche en carburant attribuable à des ouvertures d'air restreintes, y compris des nids d'araignée dans les brûleurs et/ou les orifices.



Tous les brûleurs doivent être brossés à l'aide d'une brosse métallique et doivent être exempts de charpie, de poussière et de toiles d'araignée avant chaque saison d'utilisation. Les brûleurs dont les orifices sont abîmés doivent être remplacés. Voir Figure 46 pour caractéristiques des flammes de la veilleuse (appareil de chauffage à millivolt seulement).

## Dépose de l'ensemble de brûleur: (Voir Figure 47.)

1. Couper l'eau, le gaz et l'électricité à l'appareil de chauffage de piscine.
2. Tourner le bouton de la soupape de gaz à la position "OFF" et mettre l'interrupteur système à "OFF".
3. Retirer les fils et la conduite de gaz de la soupape

de gaz de l'appareil de chauffage. Retirer le fil de capteur /électrode (allumage électronique seulement) du module d'allumage.

4. Retirer les trois boulons retenant le support de montage du brûleur au panneau intermédiaire.
5. Soulever l'ensemble de brûleur vers le haut et hors des trois crochets de retenue sur le panneau intermédiaire, et tirer l'ensemble hors de l'appareil de chauffage.

## Installation de l'ensemble de brûleur: (Voir Figure 47.)

1. Guider l'ensemble de brûleur à travers le panneau intermédiaire. Soulever et placer le support de montage du brûleur sur les trois crochets de retenue du panneau intermédiaire.
2. Fixer le support de montage du brûleur sur le panneau intermédiaire à l'aide de trois boulons.
3. Rebrancher les fils menant à la soupape de gaz et au module d'allumage (allumage électronique seulement) conformément au schéma de câblage.
4. Rebrancher la conduite de gaz à la soupape de gaz. Ouvrir le gaz et vérifier s'il y a des fuites de gaz. Utiliser une solution d'eau savonneuse. La formation de bulles indique une fuite. Ne jamais utiliser une flamme nue (allumette, briquet, chalumeau, etc.) car une fuite pourrait causer une explosion ou des blessures.
5. Pour mettre l'appareil de chauffage en marche, suivre les instructions d'allumage données sur l'étiquette placée à l'intérieur du boîtier.

## Remplacement de la soupape de gaz: (Voir Figure 47.)

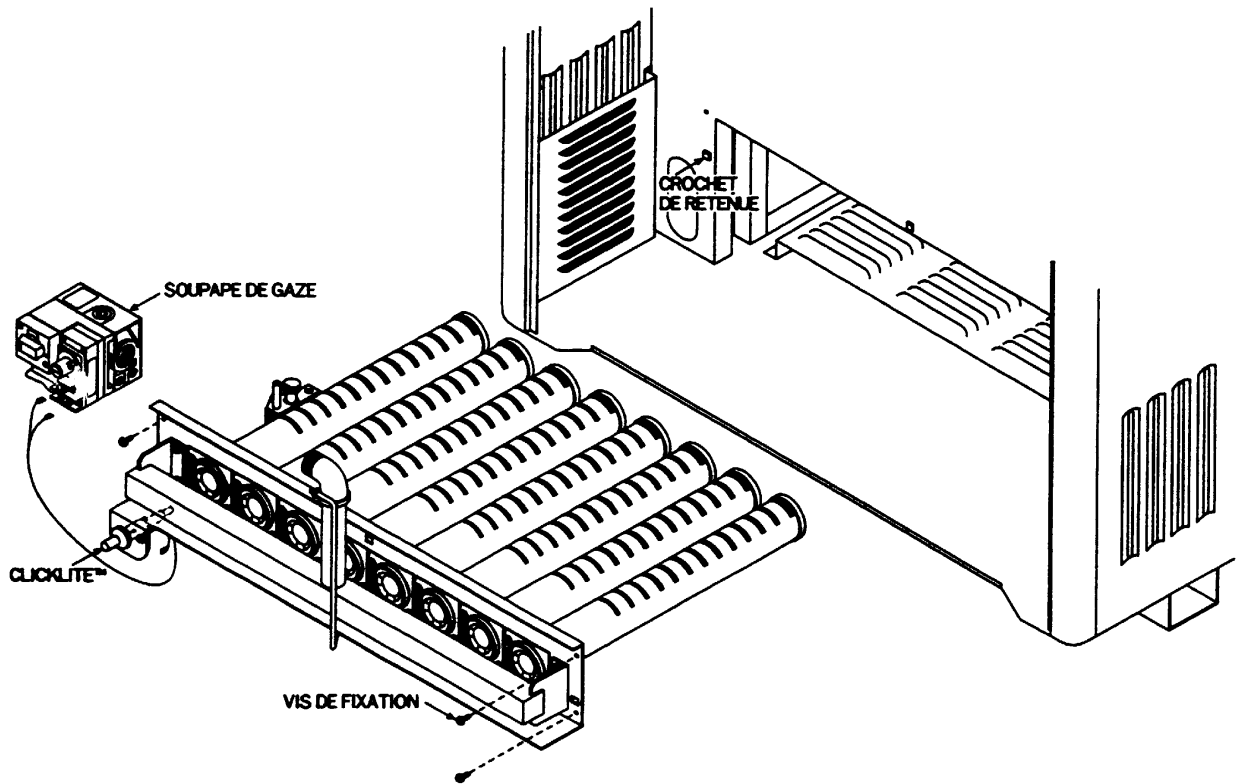
**▲MISE EN GARDE:** Ne pas tenter de réparer la soupape de gaz. Si elle s'avère défectueuse, remplacer la soupape au complet. Les tentatives de la réparer annuleront la garantie.

1. Suivre la procédure "Dépose de l'ensemble de brûleur".
2. Débrancher les fils menant à la soupape de gaz, y compris les fils de la génératrice veilleuse (millivolt seulement).
3. Débrancher la tubulure veilleuse de la soupape de gaz (millivolt seulement).
4. Dévisser la soupape de gaz du tuyau du collecteur.
5. Remplacer la soupape de gaz. Utiliser uniquement du mastic liquide à tuyaux sur les filets mâles du collecteur. Ne pas mettre de mastic à tuyaux sur les deux premiers filets du tuyau.
6. Rebrancher les fils à la soupape de gaz, y compris les fils de la génératrice veilleuse et la tubulure veilleuse (millivolt seulement).
7. Suivre la "Procédure d'installation de l'ensemble de brûleur".

## Dépose de l'ensemble de veilleuse: (Voir Figure 48.) (Appareil de chauffage à millivolt seulement)

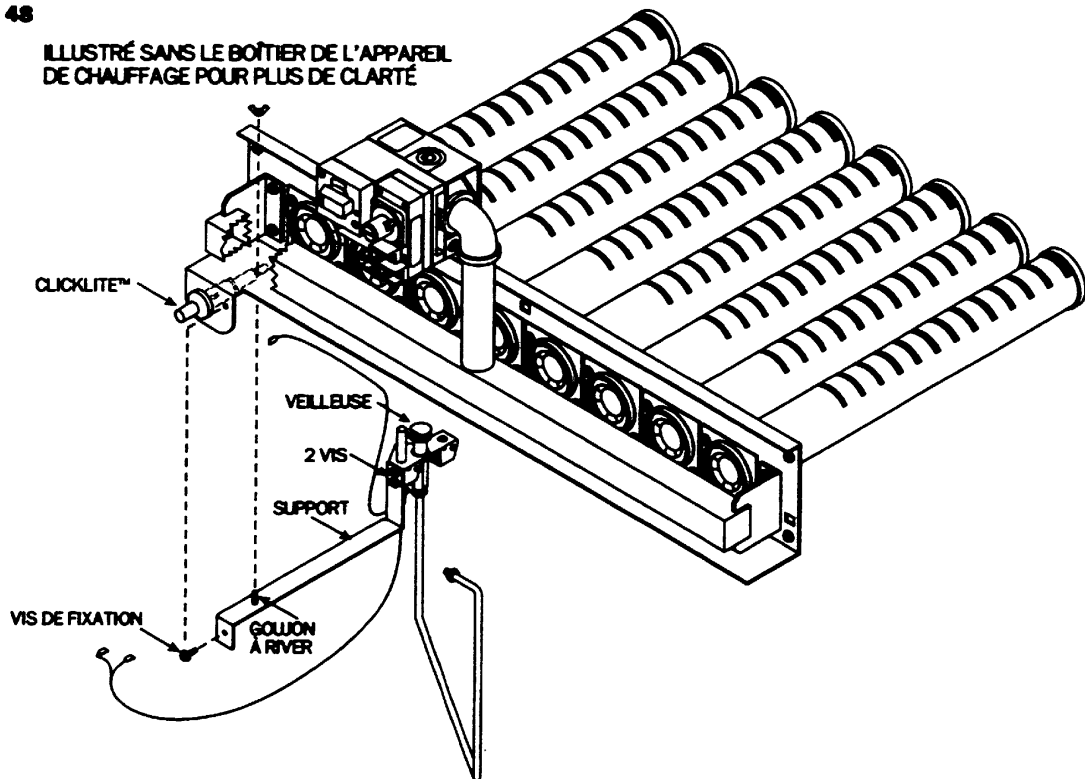
1. Débrancher les fils de la génératrice veilleuse et la tubulure veilleuse de la soupape de gaz de l'appareil de chauffage à gaz.
2. Débrancher le fil de l'allumeur à électrode de Clickite™.
3. Retirer la vis retenant le support de la veilleuse au support de montage du brûleur. Abaisser le support de la veilleuse pour dégager le goujon de positionnement et retirer l'ensemble de l'appareil de chauffage.

**Dépose du brûleur**  
**Figure 47**



**Dépose de l'ensemble de veilleuse**  
**Figure 48**

ILLUSTRÉ SANS LE BOÎTIER DE L'APPAREIL  
DE CHAUFFAGE POUR PLUS DE CLARTÉ



4. Pour réparer ou remplacer la veilleuse, enlever deux vis retenant la veilleuse au support de la veilleuse et débrancher la tubulure veilleuse de la veilleuse.

**▲ATTENTION:** Ne jamais agrandir l'ouverture de l'orifice de la veilleuse.

5. Inverser les étapes ci-dessus pour l'installation. S'assurer de l'absence de fuites de gaz aux raccordements de la tubulure de la veilleuse.

## Dépose de l'ensemble d'allumeur:

(Appareil de chauffage à allumage électronique seulement)  
(Voir Figure 49.)

1. Débrancher le fil de capteur /électrode du module d'allumage.
2. Retirer la vis qui retient le support de l'allumeur pour dégager le goujon de positionnement et retirer l'ensemble de l'appareil de chauffage.
3. Pour réparer ou remplacer l'allumeur, retirer deux vis retenant l'allumeur au support de l'allumeur et débrancher le fil de l'allumeur à électrode.
4. Revérifier l'écartement des électrodes (9/64 po).
5. Inverser les étapes ci-dessus pour l'installation.

## Orifices des brûleurs principaux:

Les orifices des brûleurs principaux peuvent être déposés du collecteur à l'aide d'une clé de 7/16 po sans devoir enlever l'ensemble de brûleur de l'appareil de chauffage. Après avoir nettoyé ou remplacé les orifices, les réinstaller dans le collecteur en veillant à ne pas serrer excessivement, ce qui pourrait provoquer une fuite.

**▲ATTENTION:** Ne pas agrandir les trous des orifices.

## Conversion au gaz:

Lorsqu'approprié, l'appareillage de gaz, installé en usine, peut être changé du gaz naturel au propane ou du propane au gaz naturel, à l'aide du nécessaire de conversion approprié qu'on peut se procurer auprès de l'usine.

Les conversions de gaz ne doivent être effectuées que par une agence qualifiée. Des instructions détaillées sont fournies avec chaque nécessaire.

**▲REMARQUE:** Les nécessaires de conversion ne sont pas disponibles au Canada. Les conversions doivent être effectuées par le poste de conversion à Hayward Pool Products Canada, Inc.

## Emplacements des commandes:

Les sections ci-après donnent un bref aperçu des différentes commandes de l'appareil de chauffage et des méthodes de réparation/remplacement. Le texte décrit la fonction des commandes. Voir Figure 50 pour l'emplacement général des commandes.

## Câblage électrique:

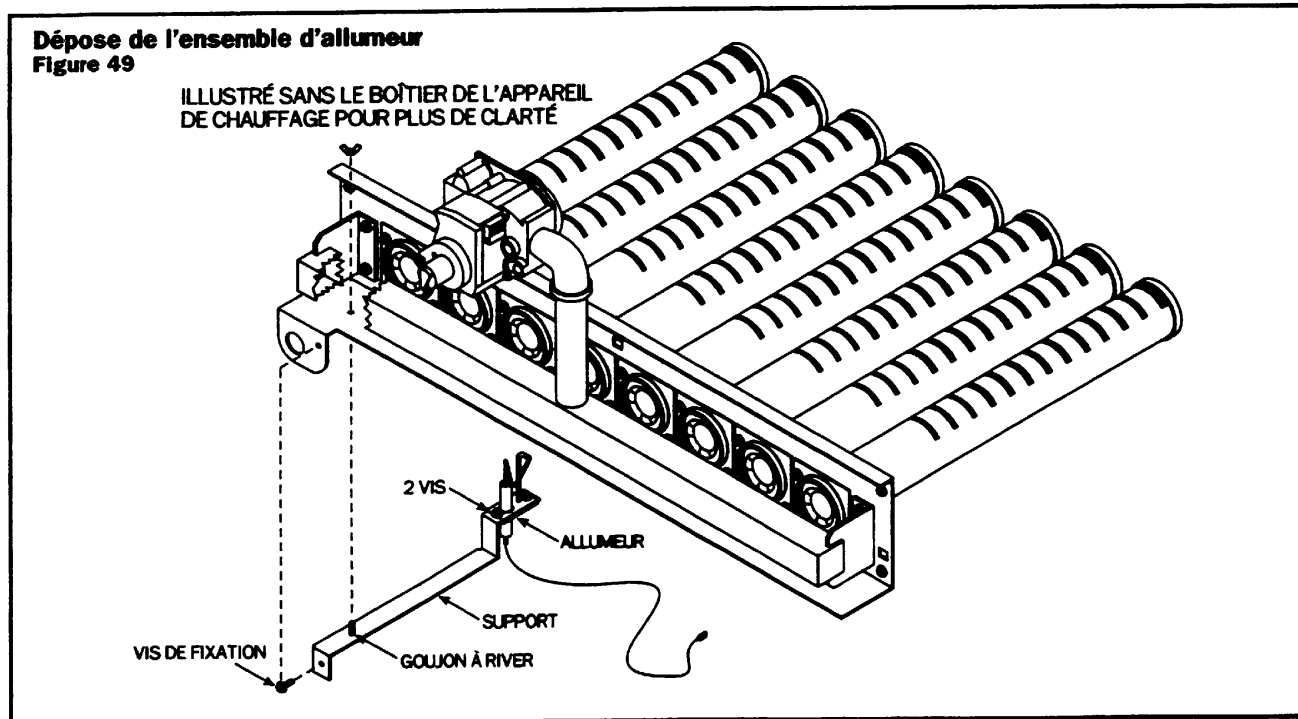
**▲REMARQUE:** S'il faut remplacer une partie du câblage d'origine, celui-ci doit être remplacé par un câblage adéquat pour 105°C (modèle 1015 ou 1230) ou son équivalent.

## Interrupteur système:

Un culbuteur à deux voies "ON/OFF" est posé sur les appareils de chauffage à un seul thermostat, et un culbuteur à trois voies "POOL/OFF/SPA" est posé sur les appareils de chauffage à deux thermostats.

**Pour remplacer l'interrupteur système:**

1. Mettre la pompe et la soupape de gaz principale à l'arrêt. Mettre le thermostat au réglage le plus bas.
2. Mettre les appareils de chauffage à allumage électronique hors tension.
3. Ouvrir le tableau de commande et retirer les fils de l'interrupteur système.
4. Presser les extrémités de l'interrupteur système à l'intérieur et retirer du tableau.
5. Remplacer l'interrupteur système et inverser les étapes ci-dessus.



## Commandes de température:

### Appareils de chauffage à millivolt

Les appareils de chauffage à millivolt sont pourvus d'un thermostat mécanique.

Pour remplacer le thermostat:

1. Mettre la pompe, la soupape de gaz principale et l'interrupteur système à l'arrêt.
2. Retirer le bouton de thermostat, ouvrir le tableau de commande et retirer les panneaux d'accès droits.
3. Retirez le bulbe de thermostat du collecteur avant.

▲ **REMARQUE:** L'utilisation de pinces à bec fin pour tirer la bande en cuivre vers l'extérieur facilite l'enlèvement du bulbe. Trier le tube capillaire et le bulbe à travers la fente ovale du panneau intermédiaire.

▲ **CAUTION:** Veiller à ne pas pincer le ou les tubes capillaires car ils pourraient se briser par suite d'un maniement erroné.

4. Retirer les fils du thermostat.
5. Retirer les écrous retenant le support de montage du thermostat au tableau de commande.
6. Remplacer le thermostat et inverser les étapes ci-dessus.

### Appareils de chauffage électroniques

Les appareils de chauffage électroniques sont pourvus d'un thermostat intégral et un ensemble allumeur qui marche sur l'appareil de chauffage. Les pièces ne sont disponibles que dans un ensemble.

Pour remplacer l'ensemble de tableau de commande:

1. Mettre la pompe, la soupape de gaz principale et l'interrupteur système à l'arrêt.
2. Retirer les fils du panneau de circuit arrière.
3. Retirer les quatre écrous retenant le chaton en plastique.
4. Retirer tout l'ensemble à travers le panneau.
5. Remplacer l'ensemble de tableau de commande et inverser les étapes ci-dessus.

## Hautes limites:

La haute limite est un dispositif de sécurité qui se réenclenche automatiquement, câblé en série avec le thermostat, le manostat, les interrupteurs limiteurs de température et la soupape de gaz principale. Voir Figure 51. L'appareil de chauffage de piscine est pourvu de deux hautes limites automatiques. Les limites sont situées sur le collecteurs avant et arrière.

▲ **ATTENTION:** Les deux interrupteurs de limite ont des réglages de température différents (vérifier la Liste de pièces).

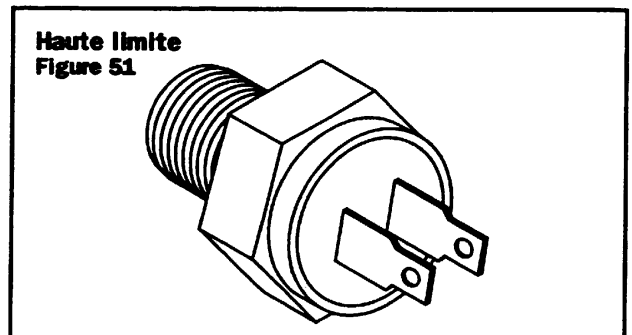
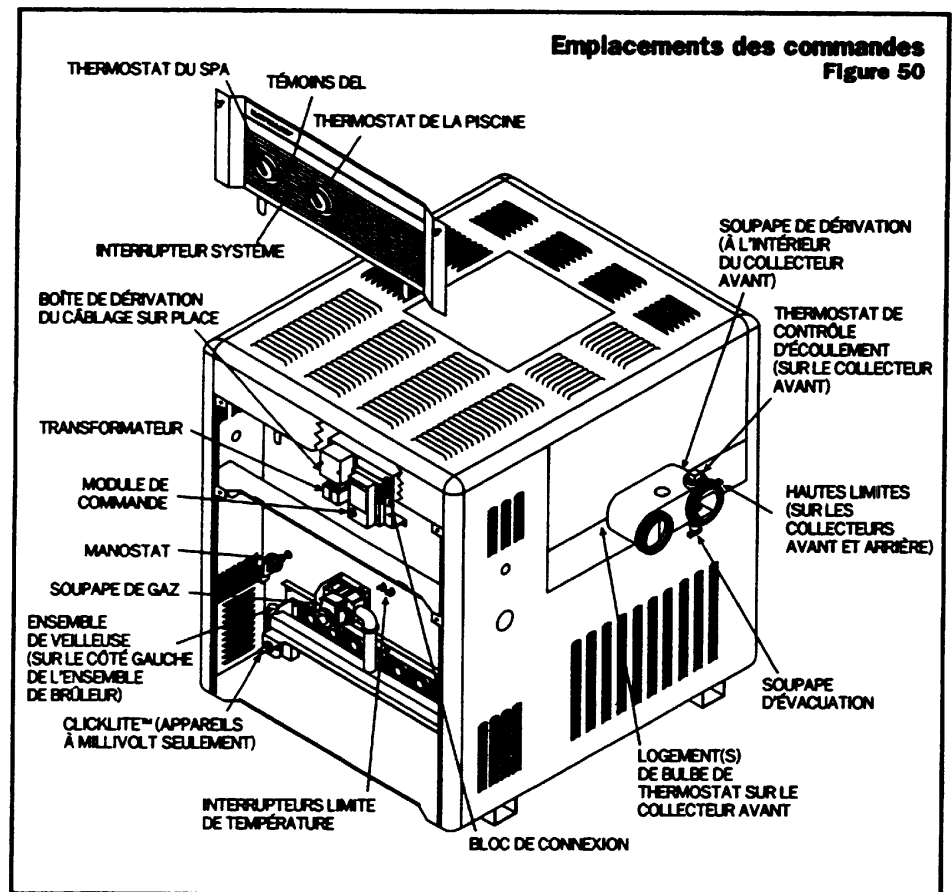
Quand la température de l'eau à l'emplacement de la limite dépasse le point de réglage de limite, la soupape de gaz principale coupe l'approvisionnement en gaz aux brûleurs.

Une haute limite irrégulière est souvent une indication d'un problème en ce qui concerne l'écoulement de l'eau. Un écoulement réduit peut être causé par:

1. Filtre ou tamis encrassé.
2. Écoulement excessif à travers la soupape de dérivation externe si une telle soupape est utilisée.
3. Accumulation de calamine de chaux dans l'échangeur de chaleur.

### Pour remplacer les hautes limite:

1. Mettre la pompe, la soupape de gaz principale et l'interrupteur système à l'arrêt.
2. Mettre les appareils de chauffage à allumage électronique hors tension.
3. Vider toute l'eau de l'échangeur de chaleur.
4. Retirer les panneaux d'accès latéraux.
5. Retirer les fils des hautes limites.
6. Dévisser la haute limite défectueuse.
7. Remplacer la haute limite et inverser les étapes ci-dessus.



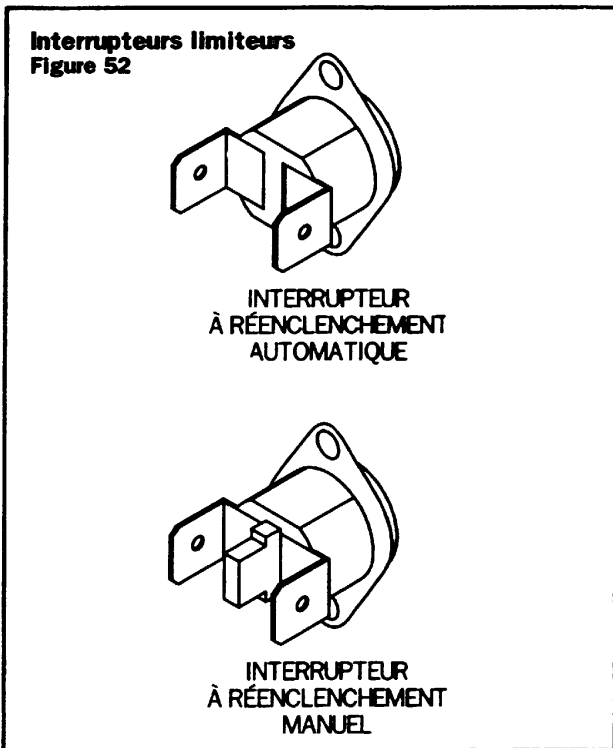
## Interrupteurs limiteurs de température:

Ces commandes mettront l'appareil de chauffage à l'arrêt lorsque les températures à l'extérieur de la chambre de combustion et à l'intérieur du boîtier de l'appareil de chauffage deviennent trop hautes. Par exemple, dans l'éventualité de conditions de vent descendant ou d'un événement ou un chapeau de tirage bloqué. Un technicien doit examiner l'appareil pour en déterminer la cause.

L'interrupteur gauche est de type à réenclenchement automatique tandis que l'interrupteur de secours droit est à réenclenchement manuel. Voir Figure 52. L'interrupteur à réenclenchement manuel peut être réenclenché en retirant la porte avant de l'appareil de chauffage, puis en appuyant sur le bouton central de l'interrupteur, ce qui le réactionnera. Remplacer la porte avant et remettre l'appareil de chauffage en marche.

### Pour remplacer le ou les interrupteurs:

1. Mettre la pompe, la soupape de gaz principale et l'interrupteur système à l'arrêt.
2. Mettre les appareils de chauffage à allumage électronique hors tension.
3. Retirer la porte avant de l'appareil de chauffage.
4. Retirer les deux fils et vis retenant l'interrupteur ou les interrupteurs.
5. Remplacer par le nouvel ou les nouveaux interrupteurs et inverser les étapes ci-dessus.



## Manostat:

Le manostat (Figure 53) est pré-réglé à l'usine pour installations au niveau de la terrasse. Lorsque l'appareil de chauffage est situé sous le niveau de la piscine ou du spa, il peut être nécessaire d'ajuster le manostat pour compenser pour la tête statique sans écoulement. La procédure suivante est recommandée lorsque l'interrupteur doit être ajusté et /ou remplacé:

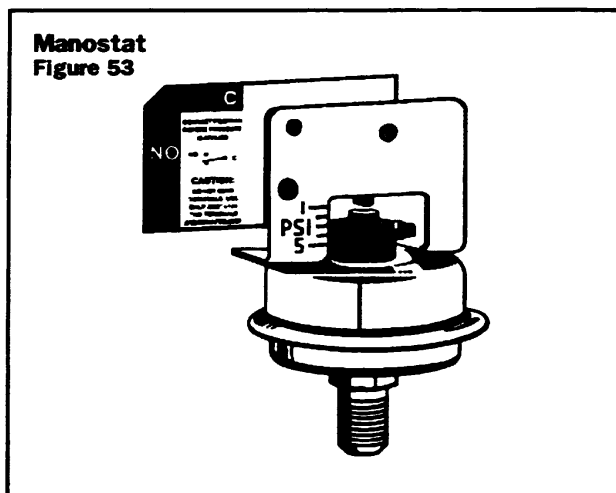
1. S'assurer que le filtre est propre avant d'effectuer l'ajustement.

2. La pompe et l'interrupteur système de l'appareil de chauffage étant en marche, tourner le cadran de réglage du manostat en sens horaire jusqu'à ce qu'un clic de la soupape de gaz se fasse entendre.
3. Tourner le cadran de réglage en sens anti-horaire de 1/4 de tour.
4. Mettre la pompe à l'arrêt et en marche plusieurs fois. L'appareil de chauffage devrait s'arrêter immédiatement lorsque la pompe est mise à l'arrêt. Si l'appareil de chauffage ne s'arrête pas avec la pompe, répéter les étapes ci-dessus jusqu'à ce que l'interrupteur soit ajusté correctement.

**ATTENTION:** Ne jamais faire fonctionner l'appareil de chauffage de piscine en l'absence d'un interrupteur d'écoulement ou d'un manostat correctement réglé.

### Pour remplacer le manostat:

1. Mettre la pompe, la soupape de gaz principale et l'interrupteur système à l'arrêt.
2. Mettre les appareils de chauffage à allumage électronique hors tension.
3. Ouvrir l'évacuation du collecteur avant et vider toute l'eau de l'échangeur de chaleur.
4. Retirer la porte avant de l'appareil de chauffage.
5. Retirer les fils du manostat.
6. À l'aide de deux clés à extrémité ouverte de 1/2 po, débrancher le manostat de son tube.
7. Remplacer le manostat et inverser les étapes ci-dessus. Appliquer un nouvel agent d'étanchement sur les filets du manostat avant de le remettre en place.
8. Vérifier l'absence de fuite après la mise en marche de l'appareil.

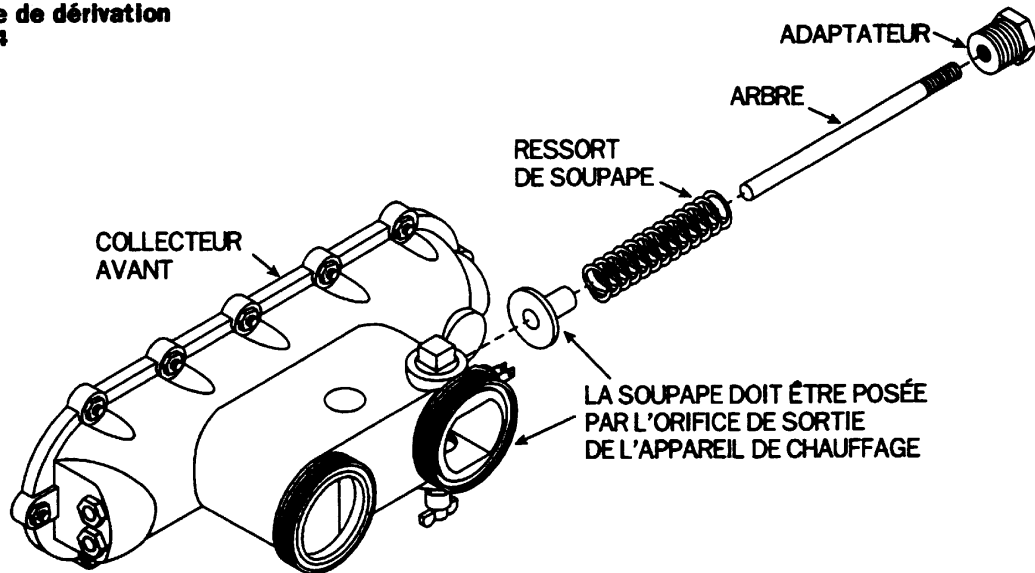


## Soupape de dérivation:

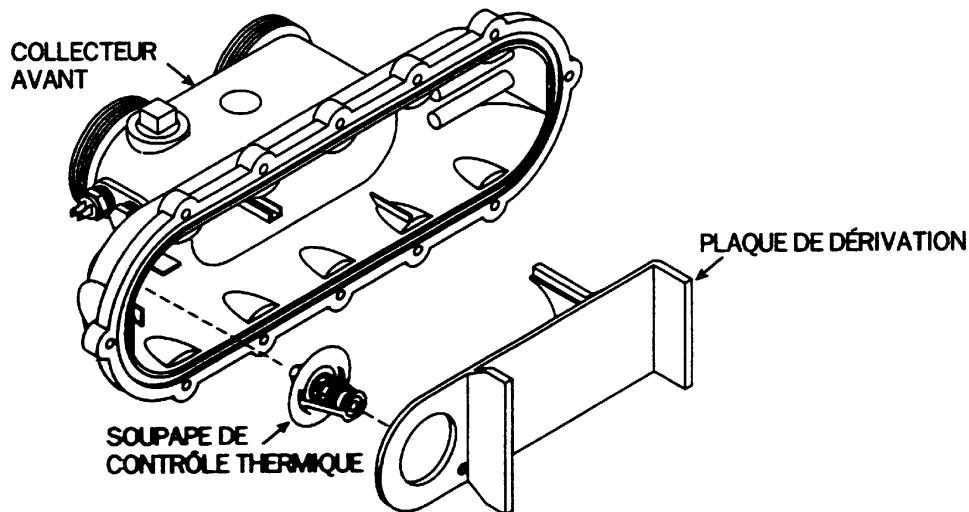
Le collecteur avant abrite une soupape de dérivation automatique. La soupape assure un écoulement d'eau approprié à travers l'échangeur de chaleur à mesure que la pression d'eau du système de filtration varie. L'ensemble de soupape se compose d'un plongeur, d'un ressort et d'un arbre. Le plongeur glisse le long de l'arbre à mesure que la pression d'eau du système comprime le ressort. Des concentrations très élevées d'acide ou de chlore peuvent abîmer les pièces de la soupape ou une eau très dure peut laisser des dépôts sur l'arbre, causant ainsi une adhérence de la soupape. Si la soupape adhère en position d'ouverture, très peu d'eau passera à travers l'échangeur de chaleur, causant ainsi une surchauffe et ouvrant éventuellement les contacts haute limite. Si la



**Soupape de dérivation**  
Figure 54



**Soupape de contrôle thermique**  
Figure 55



soupape adhère en position de fermeture, une quantité excessive d'eau passera à travers l'échangeur de chaleur, causant ainsi une condensation. L'un ou l'autre cas peut entraîner un chauffage insuffisant de la piscine ou du spa.

**Pour remplacer des pièces de la soupape:**

Vider toute l'eau de l'échangeur de chaleur. La soupape peut être retirée comme illustré à la Figure 54. Le bouchon sur le côté droit du collecteur avant est dévissé, et l'arbre et le ressort sont tirés vers l'extérieur. Le plongeur peut être retiré par l'orifice de sortie du collecteur après avoir détaché les conduites de la piscine de l'appareil de chauffage. Réinstaller en inversant les étapes ci-dessus.

**Soupape de contrôle thermique:**

Le collecteur avant abrite également une soupape de contrôle thermique. Cette soupape aide à contrôler la

condensation produite par l'échangeur de chaleur en ne laissant pas l'eau s'écouler à travers l'échangeur de chaleur jusqu'à ce que l'eau atteigne une température de 105°F. Une eau très dure peut laisser des dépôts sur le plongeur de la soupape, faisant ainsi adhérer la soupape. Si la soupape adhère en position d'ouverture, l'eau froide peut s'écouler à travers l'échangeur de chaleur causant ainsi une condensation. Si la soupape adhère en position de fermeture, très peu d'eau s'écoulera à travers le trou de dérivation, ce qui ouvrira les contacts haute limite sur le collecteur arrière.

**Pour remplacer la soupape de contrôle thermique:**

1. Suivre les instructions apparaissant à la page 25 pour la dépose du collecteur avant seulement.
2. Retirer la plaque de dérivation en plastique du collecteur avant.
3. Retirer la soupape de contrôle thermique du collecteur avant.

4. Faire l'essai de la soupape de contrôle thermique en la plaçant dans un bain d'eau chaude (au-dessus de 108°F) et en surveillant le mouvement qui comprime le ressort et ouvre la partie annulaire au centre de la soupape. Si cela ne se produit pas, remplacer la soupape par une nouvelle soupape qui a été testée comme indiqué ci-dessus. Voir Figure 55.
5. Inverser les étapes pour le remontage.
2. Retirer deux vis et ouvrir le tableau de commande avant.
3. Débrancher deux fils à bornes plates du transformateur.
4. Détacher les fils d'alimentation principale du transformateur.
5. Retirer les vis retenant le transformateur au support de montage et retirer le transformateur.
6. Remplacer le transformateur et inverser les étapes ci-dessus. Recâbler conformément au schéma de câblage de l'appareil de chauffage.

### Thermistance:

La thermistance surveille la température de l'eau de retour.

#### Pour remplacer la thermistance:

1. Arrêter la pompe, fermer le robinet d'arrêt de gaz et arrêter le chauffe-piscine.
2. Couper l'électricité.
3. Vider complètement l'eau dans l'échangeur de chaleur.
4. Enlever les panneaux d'accès latéraux.
5. Déconnecter les fils de la thermistance de la plaquette de circuit imprimé.
6. Dévisser la thermistance.
7. Remplacer la thermistance et inverser les procédures décrites ci-dessus.

### Transformateur: (Allumage électronique seulement)

Le transformateur réduit l'alimentation en courant de 120 V ou de 240 V à 20 à 26 volts. C'est la plage de tension dans laquelle fonctionne l'appareil de chauffage.

#### Pour remplacer le transformateur:

1. Mettre la pompe, la soupape de gaz principale, l'interrupteur système et l'alimentation principale à l'arrêt.

## Section VII. Dépannage

### Généralités:

**▲REMARQUE:** Ces instructions sont destinées à être utilisées par des techniciens compétents, ayant reçu une formation spéciale et expérimentés dans l'installation et la réparation de ce type de matériel de chauffage et ses différents composants. Certaines provinces exigent que les personnes procédant à l'installation et à la réparation soient titulaires d'un permis. Les personnes non qualifiées ne doivent pas entreprendre de réparer ce matériel conformément à ces instructions.

**▲MISE EN GARDE:** Ne jamais laisser un cavalier raccordé pour maintenir un appareil de chauffage en marche. Un cavalier ne doit être utilisé que comme dispositif d'essai, car il ne remédie pas à une commande défectueuse.

**▲ATTENTION:** Ne jamais laisser le brûleur principal en marche pendant plus de cinq secondes avec le système de filtration arrêté. Il s'ensuivra des dommages importants à l'appareil de chauffage. Tout cognement de l'appareil de chauffage indique un vide d'eau ou un manque d'écoulement d'eau. Dans ce cas, mettre immédiatement l'appareil de chauffage à l'arrêt.

### ▲Câblage:

Comme vérification préliminaire, s'assurer que toutes les connexions de fil sont propres et serrées, et que tout le câblage se conforme aux schémas de câblage. Voir Figures 30 et 33.

# Tableau de dépannage

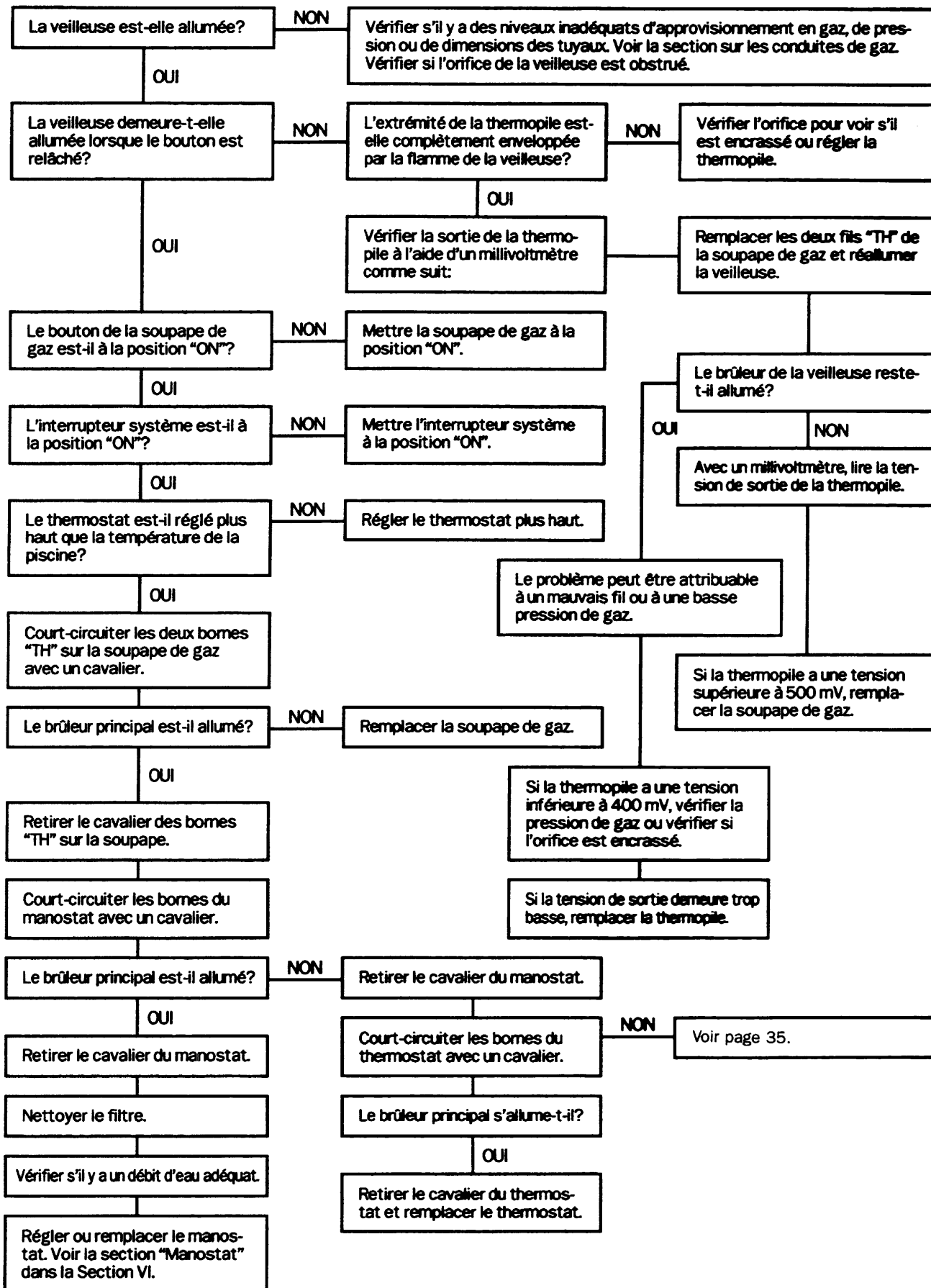
Ce tableau peut être utilisé comme guide de consultation rapide pour les problèmes d'entretien et de réparations.  
DESTINÉ UNIQUEMENT AU PERSONNEL DE SERVICE QUALIFIÉ.

| PROBLÈME  | CAUSES ÉVENTUELLES  | SOLUTION  |
|---|---|---|
| L'APPAREIL DE CHAUFFAGE NE S'ALLUME PAS.  |   | Voir la procédure de dépannage qui a trait à l'appareil de chauffage particulier (millivolt ou allumage électronique).          |
| L'APPAREIL DE CHAUFFAGE SE MET CONTINUUELLEMENT EN MARCHÉ ET À L'ARRÊT.                     | Horloge mal réglée.   | Régler à nouveau l'horloge.   |
|   | Le filtre est sale.   | Nettoyer le filtre.   |
|   | Dérivation externe mal ajustée (là où elle est utilisée).                 | Ajuster la dérivation.  |
|   | Manostat mal ajusté.  | Ajuster le manostat.  |
| ENCRASSEMENT DE L'ÉCHANGEUR DE CHALEUR.   | Débits d'eau élevés (supérieurs à 125 gal/min).                           | Réduire le débit en ajoutant une soupape de dérivation manuelle.  |
|   | Dérivation interne coincée en position d'ouverture.                       | Vérifier si l'eau est excessivement dure ou acide, ce qui pourrait avoir abîmé la soupape. Réparer ou remplacer.                |
|   | Manque d'air pour la combustion.  | Assurer une arrivée d'air adéquate. Se reporter à l'aménagement de la mise à l'air.   |
|   | Arrivée de gaz trop faible.   | Corriger par une conduite de gaz de la dimension appropriée.  |
|   | Mise à l'air libre inadéquate.  | Assurer une mise à l'air libre appropriée. Se reporter à la Section II.   |
|   | Gorge d'admission du brûleur bloquée. Pression élevée/faible.             | Nettoyer les brûleurs. Ajuster la pression du gaz.  |
|   | Chambre de combustion affaissée.  | Remplacer la chambre de combustion.   |
| PANNE DE VEILLEUSE (MILLIVOLT SEULEMENT).   | Pression de gaz faible.   | Augmenter la pression.  |
|   | Écoulement de gaz restreint.  | Nettoyer la tubulure ou l'orifice de la veilleuse.  |
|   | Thermopile faible.  | Remplacer la thermopile.  |
| TEMPÉRATURES EXCESSIVES À LA SURFACE DE LA CHEMISE.   | Matériau réfractaire brisé.   | Remplacer le matériau réfractaire.  |
| CALAMINE DE CHAUX.  | Soupape de dérivation coincée en position d'ouverture.                    | Inspecter le mouvement de la dérivation et réparer.   |
|   | La soupape de contrôle thermique ne fonctionne pas.                       | Vérifier s'il y a un mouvement. Remplacer en l'absence de mouvement.  |
|   | Composition de l'eau déséquilibrée.                                       | Voir la section sur la composition de l'eau de la piscine.  |
|   | Dérivation manuelle externe non nécessaire installée ou mal ajustée.      | Fermer la soupape de dérivation manuelle et la retirer ou la régler correctement. Voir la section sur la soupape de dérivation. |
| L'APPAREIL DE CHAUFFAGE N'AMÈNE PAS LA PISCINE À LA TEMPÉRATURE DÉSIRÉE.                    | Conduite de gaz trop petite.  | Vérifier la dimension des conduites de gaz à la Figure 20.  |
|   | Appareil de chauffage trop petit.   | Vérifier le Tableau de dimensions. Poser un appareil de chauffage plus gros, au besoin.   |
|   | Horloge mal réglée.   | Régler à nouveau l'horloge.   |
|   | Filtre pas nettoyé assez souvent.   | Nettoyer le filtre plus souvent.  |
|   | Thermostat mal réglé ou défectueux.                                       | Faire l'essai du thermostat. Remplacer au besoin.   |
|   | Manostat ne fonctionne pas.   | Faire l'essai du manostat. Remplacer au besoin.   |
| FUITES DE L'ÉCHANGEUR DE CHALEUR.   | Eau trop acide ou gel.  | Remplacer l'échangeur de chaleur et maintenir une composition de l'eau adéquate.  |
| FUITES AU NIVEAU DU PUIITS.   | Eau trop acide ou gel.  | Remplacer le puits. Maintenir la composition de l'eau.  |
| FUITES AU NIVEAU DES CONNEXIONS DÉCROUS DE RACCORD. JOINTS TORIQUES SURCHAUFFÉS (FRAGILES). | L'appareil de chauffage continue à fonctionner après l'arrêt de la pompe. | Voir la section sur le réglage du manostat. Remplacer les joints toriques qui fuient.   |
|   | Dommages au matériau réfractaire.   | Remplacer le matériau réfractaire.  |

# L'appareil de chauffage ne s'allume pas - (millivolt)

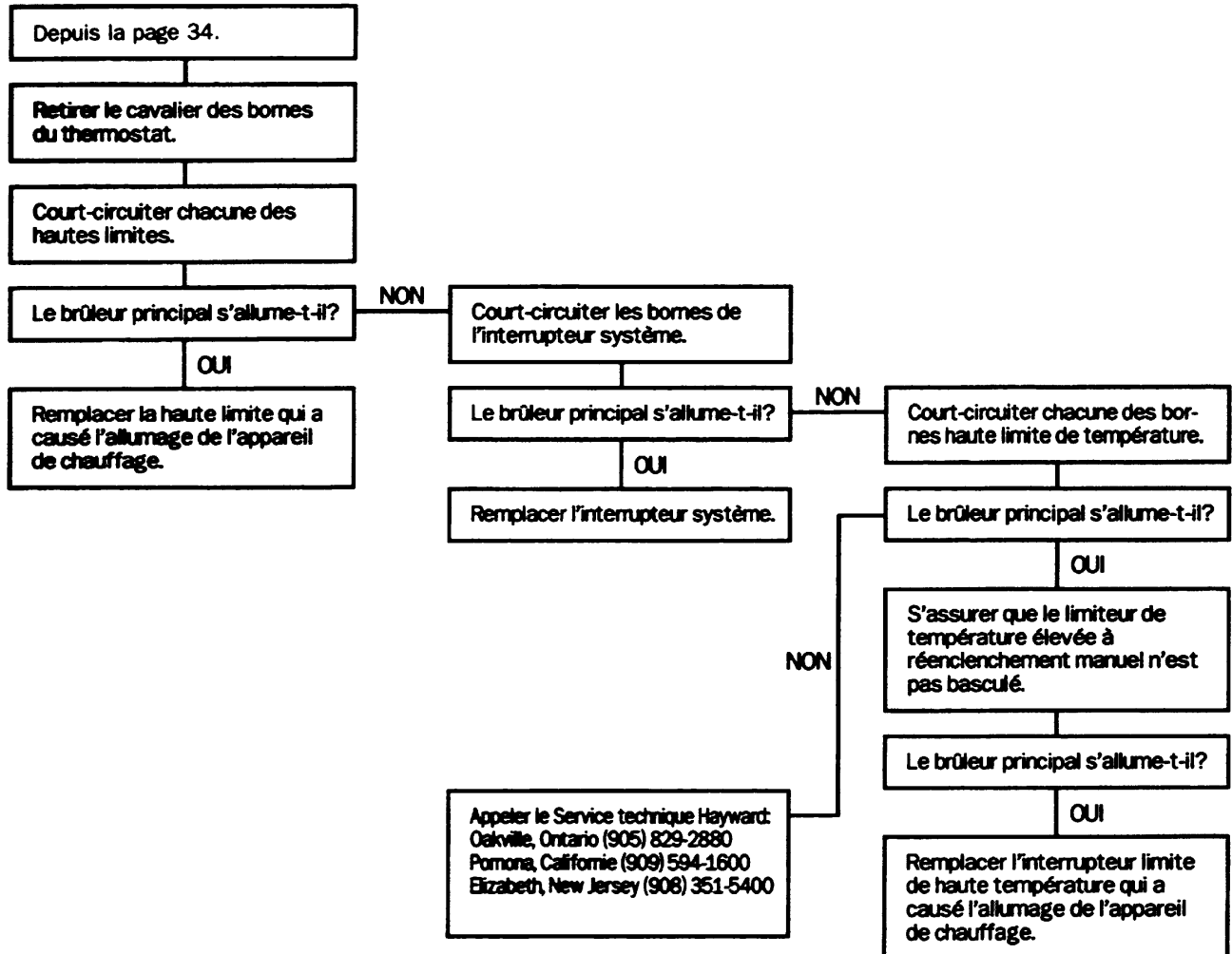
## ▲ MISE EN GARDE: Destiné au personnel de service qualifié SEULEMENT!

Cette procédure présume que le système de filtration est en service. Les cavaliers ne sont utilisés que pour la vérification du système. Retirer tous les cavaliers après la vérification du système, sinon l'appareil de chauffage pourrait être abîmé.



**▲MISE EN GARDE: Destiné au personnel de service qualifié SEULEMENT!**

Cette procédure présume que le système de filtration est en service. Les cavaliers ne sont utilisés que pour la vérification du système. Retirer tous les cavaliers après la vérification du système, sinon l'appareil de chauffage pourrait être abîmé.



# Tableau de dépannage (Électronique)

## Guide de diagnostic des chauffe-eau H

| Code                               | Panne   | Instruction de diagnostic   | Correction  |
|------------------------------------|---|---|---|
| LO                                 | Panne du manostat d'eau.  | 1. Vérifier que la pompe fonctionne.  | Ceci est l'affichage normal si la pompe est arrêtée. Mettre la pompe en marche. Le code LO doit disparaître. S'il ne disparaît pas, passer au point 2.  |
|                                    |   | 2. Contrôler l'état du câblage et des connexions.   | Vérifier le câblage du manostat d'eau. Vérifier que les fiches de faisceau de câbles sont correctement enfichées dans les bornes du manostat d'eau. Si tout est en ordre, passer au point 3.  |
|                                    |   | 3. Vérifier l'état des contacts du manostat d'eau.  | Débrancher les fils du manostat d'eau et court-circuiter ces fils par un cavalier. Mesurer la continuité aux bornes du manostat d'eau lorsque la pompe est en marche. S'il est fermé, le code LO n'est pas causé par une panne du manostat d'eau. S'il est ouvert, passer au point 4. Enlever le cavalier des fils de connexion et rebrancher ces fils.           |
|                                    |   | 4. S'assurer que la pression de la pompe est suffisante.  | Nettoyer le filtre et éliminer toute obstruction. Contrôler la position des robinets du circuit d'eau. Si tout est en ordre, passer au point 5.   |
|                                    |   | 5. Contrôler le réglage du manostat d'eau.  | Régler le manostat d'eau conformément aux indications du manuel d'installation. Si le code LO ne disparaît pas, passer au point 6.  |
|                                    |   | 6. Le manostat d'eau est défectueux.  | Changer le manostat d'eau.  |
|                                    | Panne du rupteur thermique automatique.                           | 1. Contrôler l'état du câblage et des connexions.   | Vérifier le câblage du rupteur thermique. Vérifier que les fiches de faisceau de câbles sont correctement enfichées dans les bornes du rupteur thermique. Si tout est en ordre, passer au point 2.  |
|                                    |   | 2. Vérifier l'état des contacts du rupteur thermique.   | Débrancher les fils du rupteur et les court-circuiter par un cavalier. Mettre le chauffe-eau en marche. Mesurer la continuité aux bornes du rupteur. S'il est ouvert, passer au point 3 pour les appareils à l'extérieur, ou passer au point 4 pour les appareils à l'intérieur. Retirer le cavalier des fils de connexion et rebrancher les fils sur le rupteur. |
|                                    |   | 3. Voir s'il y a de grands vents ou de vents descendants sévères.   | Si ces conditions sont présentes, installer HWS Cheminée extérieure. Si tout est en ordre, passer au point 5.   |
|                                    |   | 4. Voir si le conduit d'évacuation est obstrué.   | Vérifier que le conduit d'évacuation n'est pas obstrué. Si tout est en ordre, passer au point 4.  |
|                                    |   | 5. Voir s'il y a un écrasement de l'échangeur de chaleur.   | Voir s'il y a un écrasement de l'échangeur de chaleur. Si tout est en ordre, passer au point 6.   |
|                                    |   | 6. Le rupteur thermique est défectueux.   | Changer le rupteur thermique.   |
| Panne du rupteur thermique manuel. | 1. Contrôler l'état du câblage et des connexions.                 | Vérifier le câblage du rupteur thermique. Vérifier que les fiches de faisceau de câbles sont correctement enfichées dans les bornes du rupteur thermique. Si tout est en ordre, passer au point 2.  |   |
|                                    | 2. Vérifier l'état des contacts du rupteur thermique.             | Débrancher les fils du rupteur et les court-circuiter par un cavalier. Mettre le chauffe-eau en marche. Mesurer la continuité aux bornes du rupteur. S'il est ouvert, passer au point 3 pour les appareils à l'extérieur, ou passer au point 4 pour les appareils à l'intérieur. Retirer le cavalier des fils de connexion et rebrancher les fils sur le rupteur. |   |
|                                    | 3. Voir s'il y a de grands vents ou de vents descendants sévères. | Si ces conditions sont présentes, installer HWS Cheminée extérieure. Si tout est en ordre, passer au point 5.   |   |
|                                    | 4. Voir si le conduit d'évacuation est obstrué.                   | Vérifier que le conduit d'évacuation n'est pas obstrué. Si tout est en ordre, passer au point 4.  |   |
|                                    | 5. Voir s'il y a un écrasement de l'échangeur de chaleur.         | Voir s'il y a un écrasement de l'échangeur de chaleur. Si tout est en ordre, passer au point 6.   |   |
|                                    | 6. Réenclencher l'interrupteur.                                   | Réenclencher l'interrupteur. Si l'interrupteur remet l'appareil de chauffage à l'arrêt, passer au point 7.  |   |
|                                    | 7. Le rupteur thermique est défectueux.                           | Changer le rupteur thermique.   |   |

# Tableau de dépannage

## Guide de diagnostic des chauffe-eau H

| Code | Panne  | Instruction de diagnostic   | Correction   |
|------|--|---|--|
| LO   | Panne du rupteur thermique.                                | 1. Contrôler l'état du câblage et des connexions.                             | Vérifier le câblage du rupteur thermique. Vérifier que les fiches de faisceau de câbles sont correctement enfichées dans les bornes du rupteur thermique. Si tout est en ordre, passer au point 2.   |
|      |  | 2. Vérifier l'état des contacts du rupteur thermique.                         | Débrancher les fils du rupteur et les court-circuiter par un cavalier. Mettre le chauffe-eau en marche. Mesurer la continuité aux bornes du rupteur. S'il est fermé, le code LO n'est pas causé par une panne du rupteur. S'il est ouvert, passer au point 3. Enlever le cavalier et rebrancher les fils sur le rupteur.                 |
|      |  | 3. Vérifier que le débit d'eau est suffisant.                                 | Vérifier que le débit d'arrivée d'eau est supérieur au minimum requis. Si tout est en ordre, passer au point 4.  |
|      |  | 4. Le rupteur thermique est défectueux.                                       | Changer le rupteur thermique.  |
| BO   | Fonctionnement du bypass                                   | 1. Contrôler la position du commutateur DIP n°2 au dos du module de commande. | Ceci est l'affichage normal lorsque le chauffe-eau est contrôlé par un thermostat à distance. Aucune réparation n'est requise. Si le chauffe-eau n'est pas contrôlé par un thermostat à distance, mettre le commutateur DIP n°2 en position OFF.   |
| IF   | Panne d'allumage.  | 1. Vérifier que les robinets d'arrêt de gaz sont ouverts.                     | Vérifier que le robinet de gaz principal à côté du chauffe-eau est ouvert et que la vanne à l'intérieur de l'appareil est sur ON. Si tout est en ordre, passer au point 2.   |
|      |  | 2. Vérifier que la pression d'arrivée du gaz est suffisante.                  | Vérifier que la pression du gaz est supérieure à la valeur minimale indiquée sur la plaque signalétique. Si tout est en ordre, passer au point 3.  |
|      |  | 3. Contrôler l'état du câblage et des connexions de l'allumeur.               | Contrôler le câblage de l'allumeur. Vérifier que la fiche de l'allumeur est bien enfichée dans celle du faisceau de câbles. Vérifier que le faisceau est branché au dos du module de commande. Si tout est en ordre, passer au point 4.  |
|      |  | 4. Vérifier le câblage et les connexions de la vanne de gaz.                  | Contrôler le câblage de la vanne de gaz et le branchement du faisceau de câbles sur la vanne de gaz. Si tout est en ordre, passer au point 5.  |
|      |  | 5. Contrôler le fonctionnement de la vanne de gaz et de son relais.           | 1. Mesurer la tension aux bornes de la vanne de gaz durant un essai d'allumage. Si elle est de 24 V et que la vanne ne s'ouvre pas, la vanne de gaz est défectueuse. Changer la vanne de gaz.<br>2. S'il n'y a pas 24 V, c'est que le relais de la vanne de gaz sur le module de commande est défectueux. Changer le module de commande. |
| SF   | Panne d'entrée de capteur de température                   | 1. Contrôler l'état du câblage et des connexions.                             | Contrôler le câblage du capteur. Vérifier que le capteur est branché au dos du module de commande. Si tout est en ordre, passer au point 2.  |
|      |  | 2. Le capteur est défectueux.   | Changer le capteur de température.   |
| HS   | Dépassement de la température maximale de retour de l'eau. | 1. La température de l'eau de la piscine dépasse 104° F.                      | Vérifier que le point de consigne du thermostat à distance est inférieur à 104° F. Si le thermostat à distance est correctement réglé ou si le chauffe-eau n'est pas configuré pour l'utilisation d'un thermostat à distance, passer au point 2.   |
|      |  | 2. Vérifier que le débit d'eau est suffisant.                                 | Vérifier que le débit d'eau vers le chauffe-eau est supérieur au minimum requis.   |
| HF   | Panne du capteur du flamme.                                | 1. Défaillance du capteur du flamme.  | Changer l'allumeur.  |

# Liste des pièces – Millivolt

| ITEM NO. | PART NO.      | DESCRIPTION                             | ITEM NO. | PART NO.      | DESCRIPTION                                  |
|----------|---------------|---|----------|---------------|--|
| 1.       | HAXJKT1150    | Dessus de chemise - 150                 | 35.      | CHXTSW1930    | Interrupteur système simple                  |
| 1.       | HAXJKT1200    | Dessus de chemise - 200                 | 35.      | CHXTSW1931    | Interrupteur système double                  |
| 1.       | HAXJKT1250    | Dessus de chemise - 250                 | 36.      | HAXCPA1150    | Ens. de tableau de commande - 150 MV         |
| 1.       | HAXJKT1300    | Dessus de chemise - 300                 | 36.      | HAXCPA1200    | Ens. de tableau de commande - 200 MV         |
| 1.       | HAXJKT1350    | Dessus de chemise - 350                 | 36.      | HAXCPA1250    | Ens. de tableau de commande - 250 MV         |
| 1.       | HAXJKT1400    | Dessus de chemise - 400                 | 36.      | HAXCPA1300    | Ens. de tableau de commande - 300 MV         |
| 1.       | HAXJKT1251*   | Dessus de chemise - 250                 | 36.      | HAXCPA1350    | Ens. de tableau de commande - 350 MV         |
| 1.       | HAXJKT1301**  | Dessus de chemise - 300                 | 36.      | HAXCPA1400    | Ens. de tableau de commande - 400 MV         |
| 1.       | HAXJKT1351*** | Dessus de chemise - 350                 | 36.      | HAXCPA2150^   | Ens. de tableau de commande - 150 MV         |
| 1.       | HAXJKT1401†   | Dessus de chemise - 400                 | 36.      | HAXCPA2200^   | Ens. de tableau de commande - 200 MV         |
| 2.       | HAXDHO1930    | Insert DHO                              | 36.      | HAXCPA2250^   | Ens. de tableau de commande - 250 MV         |
| 3.       | DHI150        | Chapeau de tirage intérieur - 150       | 36.      | HAXCPA2300^   | Ens. de tableau de commande - 300 MV         |
| 3.       | DHI200        | Chapeau de tirage intérieur - 200       | 36.      | HAXCPA2350^   | Ens. de tableau de commande - 350 MV         |
| 3.       | DHI250        | Chapeau de tirage intérieur - 250       | 36.      | HAXCPA2400^   | Ens. de tableau de commande - 400 MV         |
| 3.       | DHI300        | Chapeau de tirage intérieur - 300       | 37.      | HAXGSV0001    | Soupape de gaz, MV LP                        |
| 3.       | DHI350        | Chapeau de tirage intérieur - 350       | 37.      | HAXGSV0003    | Soupape de gaz, MV NA                        |
| 3.       | DHI400        | Chapeau de tirage intérieur - 400       | 37.      | HAXGSV0004    | Soupape de gaz, DS LP                        |
| 3.       | HWS150        | Cheminée extérieure - 150 (pas montrée) | 37.      | HAXGSV0005    | Soupape de gaz, DS NA                        |
| 3.       | HWS200        | Cheminée extérieure - 200 (pas montrée) | 38.      | HAXMAN1150    | Collecteur de gaz - 150                      |
| 3.       | HWS250        | Cheminée extérieure - 250 (pas montrée) | 38.      | HAXMAN1200    | Collecteur de gaz - 200                      |
| 3.       | HWS300        | Cheminée extérieure - 300 (pas montrée) | 38.      | HAXMAN1250    | Collecteur de gaz - 250                      |
| 3.       | HWS350        | Cheminée extérieure - 350 (pas montrée) | 38.      | HAXMAN1300    | Collecteur de gaz - 300                      |
| 3.       | HWS400        | Cheminée extérieure - 400 (pas montrée) | 38.      | HAXMAN1350    | Collecteur de gaz - 350                      |
| 4.       | HAXHXA1150    | Ens. Échangeur de chaleur - 150         | 38.      | HAXMAN1400    | Collecteur de gaz - 400                      |
| 4.       | HAXHXA1200    | Ens. Échangeur de chaleur - 200         | 39.      | HAXBRN1930    | Tube de brûleur                              |
| 4.       | HAXHXA1250    | Ens. Échangeur de chaleur - 250         | 40.      | HAXBON1930    | Orifice de brûleur NA                        |
| 4.       | HAXHXA1300    | Ens. Échangeur de chaleur - 300         | 40.      | HAXBON1931    | Orifice de brûleur NA HA                     |
| 4.       | HAXHXA1350    | Ens. Échangeur de chaleur - 350         | 40.      | HAXBOP1932    | Orifice de brûleur LP                        |
| 4.       | HAXHXA1400    | Ens. Échangeur de chaleur - 400         | 40.      | HAXBOP1931    | Orifice de brûleur LP HA                     |
| 5.       | HAXWHA0002    | Harnais de câbles, arrière MV           | 41.      | HAXBMA1151    | Ens. de collecteur de brûleur 150 MV NA      |
|          | HAXWHA0006††  | Harnais de câbles, arrière MV           | 41.      | HAXBMA1152    | Ens. de collecteur de brûleur 150 MV LP      |
| 6.       | HAXFOR1930    | Joints toriques                         | 41.      | HAXBMA1201    | Ens. de collecteur de brûleur 200 MV NA      |
| 7.       | HAXNIP1930    | Embouts de tuyau à brides               | 41.      | HAXBMA1202    | Ens. de collecteur de brûleur 200 MV LP      |
| 8.       | HAXNUT1930    | Écrous de raccord                       | 41.      | HAXBMA1251    | Ens. de collecteur de brûleur 250 MV NA      |
| 9.       | HAXBPI1930    | Plaque de dérivation                    | 41.      | HAXBMA1252    | Ens. de collecteur de brûleur 250 MV LP      |
|          | HAXBPI1931††  | Plaque de dérivation                    | 41.      | HAXBMA1301    | Ens. de collecteur de brûleur 300 MV NA      |
| 10.      | HAXFCT1930    | Thermostat de contrôle d'écoulement     | 41.      | HAXBMA1302    | Ens. de collecteur de brûleur 300 MV LP      |
| 11.      | CHXPLG1930    | Bouchon en laiton NPT 3/4 po            | 41.      | HAXBMA1351    | Ens. de collecteur de brûleur 350 MV NA      |
| 12.      | HAXBPV1930    | Soupape de dérivation                   | 41.      | HAXBMA1352    | Ens. de collecteur de brûleur 350 MV LP      |
| 13.      | HAXVSG1930    | Ressort de soupape                      | 41.      | HAXBMA1401    | Ens. de collecteur de brûleur 400 MV NA      |
| 14.      | HAXSFT1930    | Arbre en laiton                         | 41.      | HAXBMA1402    | Ens. de collecteur de brûleur 400 MV LP      |
| 15.      | HAXADP1930    | Adapteur en laiton                      | 41.      | HAXBMA1403    | Ens. de collecteur de brûleur 400 DS NA      |
| 16.      | HAXHLI1930    | Haute limite 135° F                     | 41.      | HAXBMA1404    | Ens. de collecteur de brûleur 400 DS LP      |
| 17.      | HMXHLI2932    | Haute limite 160° F                     | 42.      | HAXFAD1150    | Ensemble de porte d'accès avant - 150        |
| 18.      | CHXDRV1930    | Ens. soupape d'évacuation               | 42.      | HAXFAD1200    | Ensemble de porte d'accès avant - 200        |
| 19.      | CHXPSA1930    | Adapteur de manostat                    | 42.      | HAXFAD1250    | Ensemble de porte d'accès avant - 250        |
| 20.      | CHXTBW1930    | Logement de bulbe                       | 42.      | HAXFAD1300    | Ensemble de porte d'accès avant - 300        |
|          | HAXTBW1930^▲  | Logement de bulbe                       | 42.      | HAXFAD1350    | Ensemble de porte d'accès avant - 350        |
| 21.      | HAXFHD1930    | Collecteur avant seulement              | 42.      | HAXFAD1400    | Ensemble de porte d'accès avant - 400        |
|          | HAXFHD1931††  | Collecteur avant seulement              | 44.      | HAXPLT1931    | Veilleuse – NA MV                            |
| 22.      | HAXLAC1930    | Couvercle d'accès gauche                | 44.      | HAXPLT1932    | Veilleuse – LP MV                            |
| 23.      | HAXURA1930    | Couvercle d'accès droit supérieur       | 45.      | HAXTRK1930    | Ens. Remplacement tube veilleuse             |
| 24.      | HAXLRA1931    | Couvercle d'accès droit inférieur       | 46.      | HAXHOR1930    | Jointe torique de collecteur                 |
| 25.      | HAXPHK1930    | Petit matériel en plastique             | 47.      | HAXRHD1930††† | Collecteur arrière seulement                 |
| 26.      | HAXTLK1930    | Ens. rupteur thermique                  | 48.      | HAXPLG1931    | Bouchon en laiton 1/4 po                     |
| 27.      | HAXTBK1931    | Bloc de connexion 2 pôles               | 49.      | HAXCIA1930    | Ens. d'insertion de coin (4)                 |
| 28.      | HAXPLG1931    | Bouchon en laiton 3/8 po                | 50.      | HAXFHA1930††† | Ens. Collecteur avant                        |
| 29.      | CHXGRL1930    | Patte de mise à terre TA-2              |          | HAXFHA1931    | Ens. Collecteur avant                        |
| 32.      | HAXPSA1930    | Ens. manostat                           | -        | HAXRFK1930    | Lot de transformation (pas montré)           |
| 33.      | CHXTST1930    | Thermostat                              | -        | HAXWHA0001    | Harnais de câbles, principal MV (pas montré) |
| 34.      | HAXLDK1930    | Ens. DEL                                |          |               |  |

\* - À employer à partie du numéro de série 00421078

\*\* - À employer à partie du numéro de série 00320178

\*\*\* - À employer à partie du numéro de série 00424651

† - À employer à partie du numéro de série 00424851

†† - À employer pour les appareils de chauffage fabriqués après 10/28/00

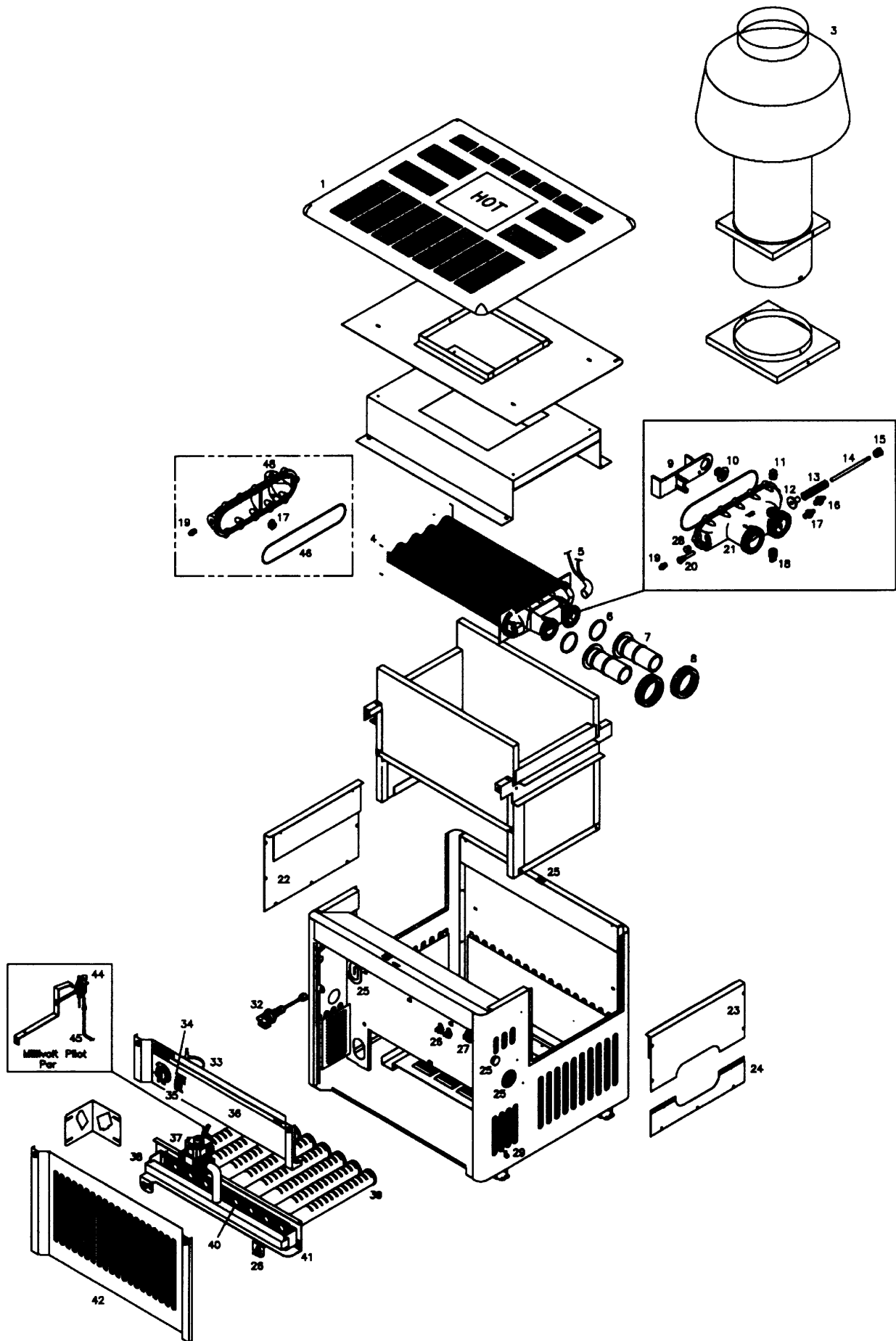
††† - À employer pour les appareils de chauffage fabriqués avant 10/28/00

▲ - À employer pour les appareils de chauffage fabriqués après 5/8/98

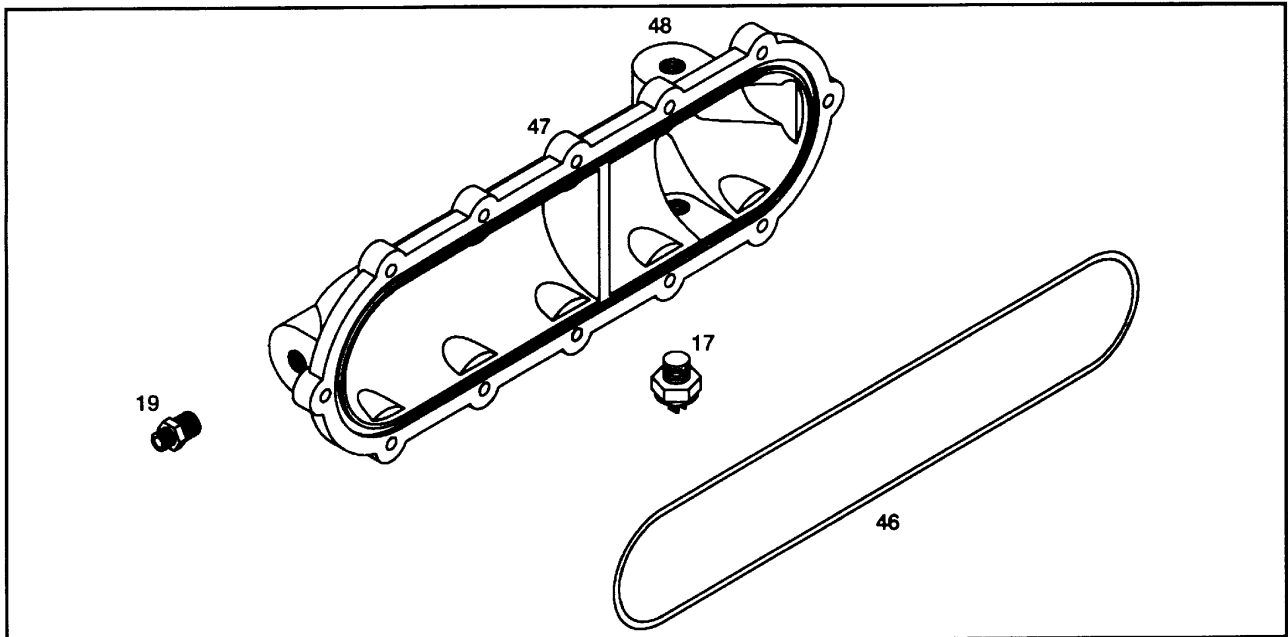
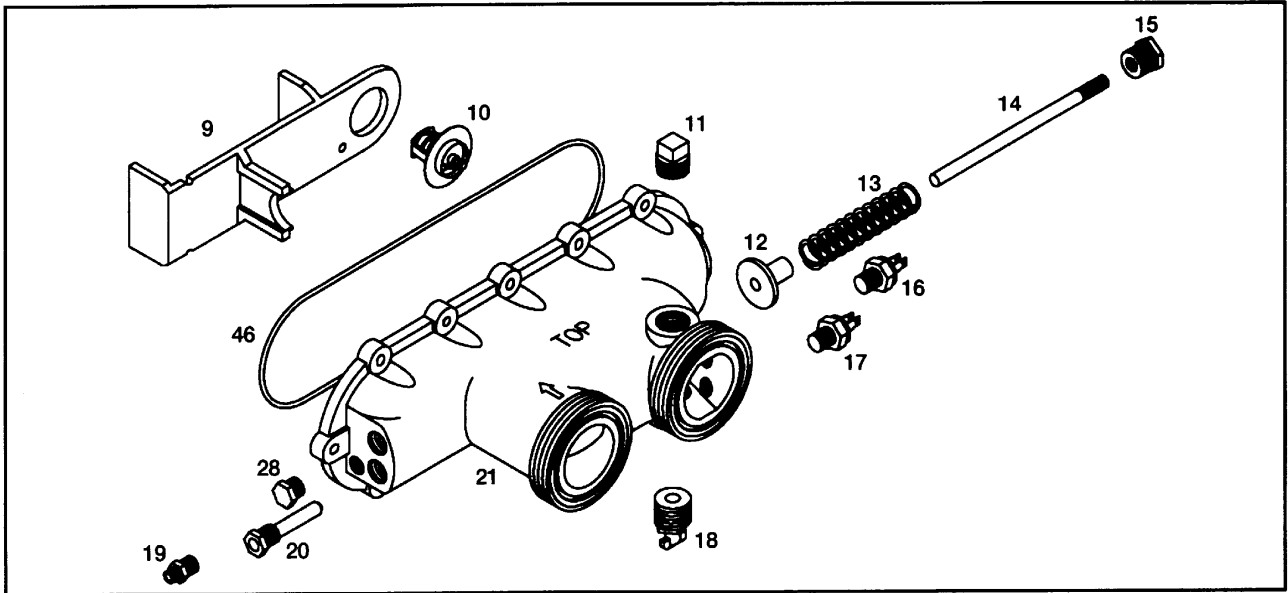
▲▲ - À employer pour les appareils de chauffage fabriqués après 6/1/01



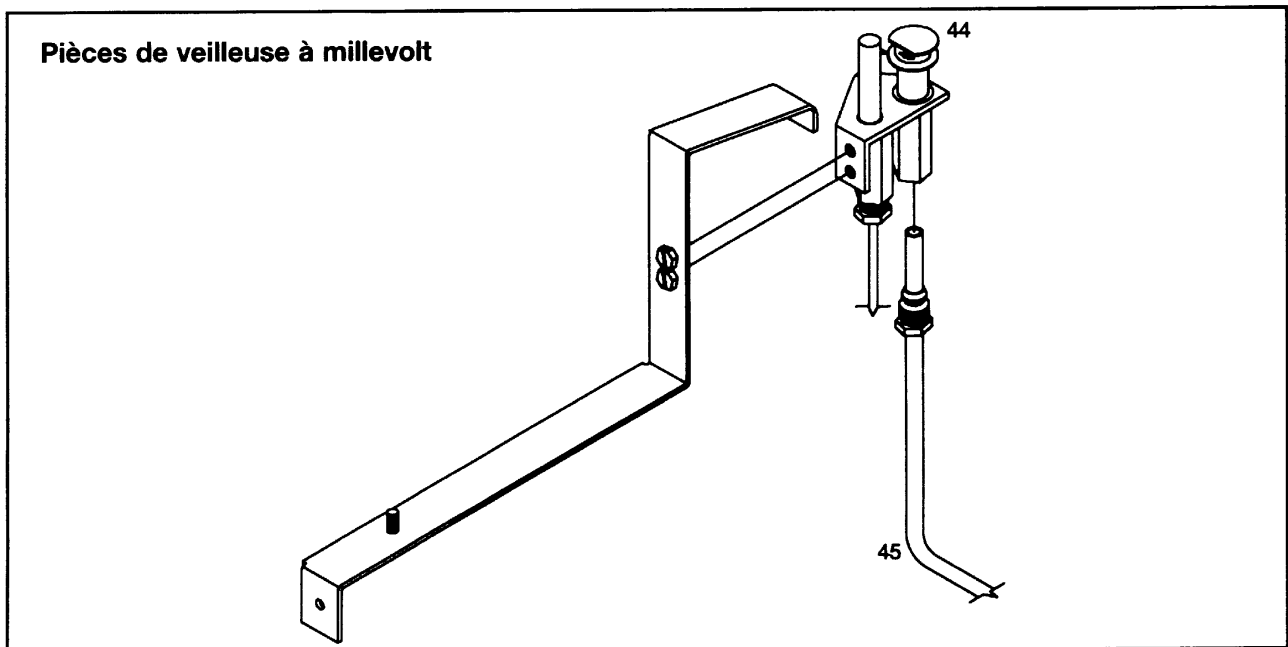
# Illustration de pièces - Millivolt



# Illustration de pièces - Millivolt



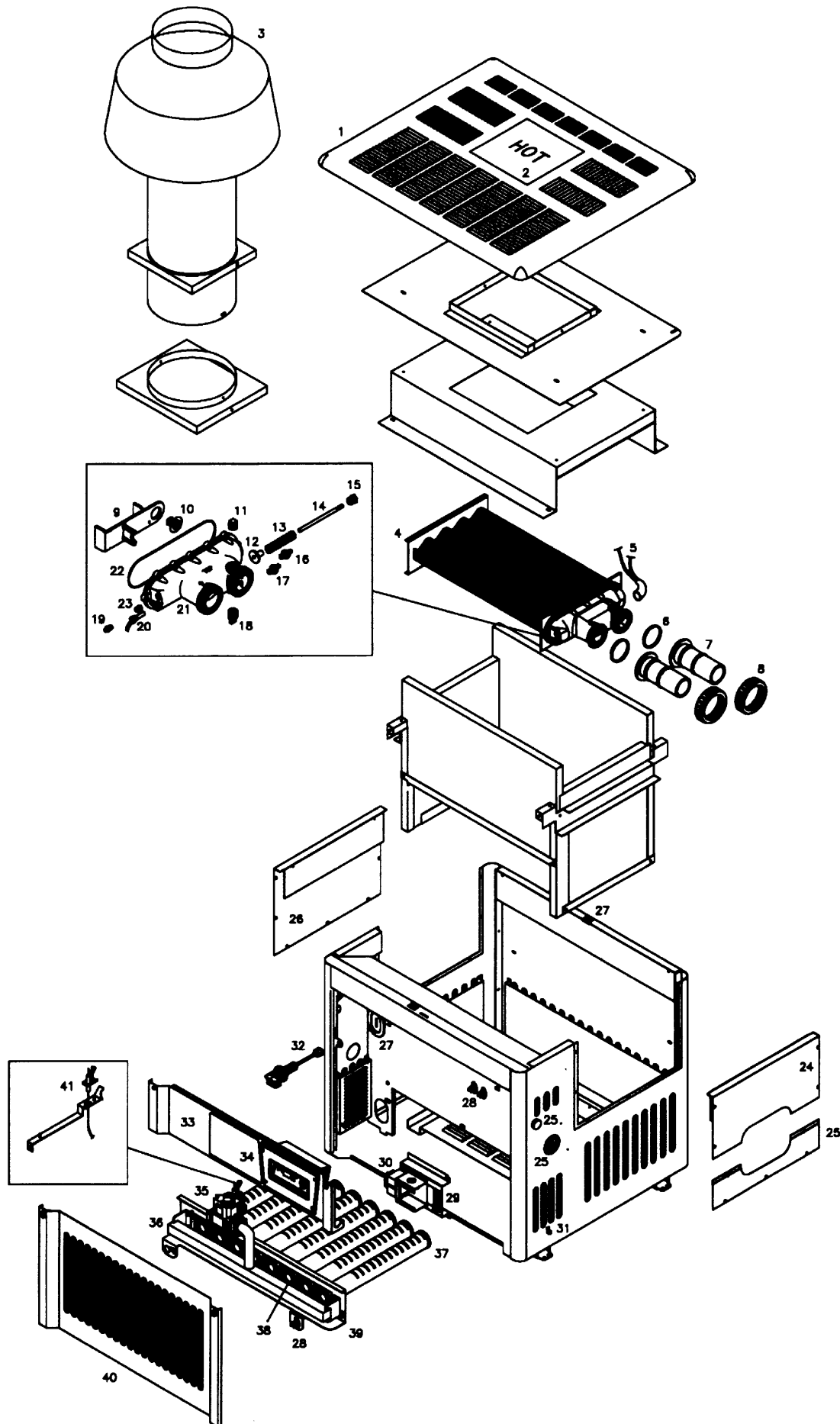
## Pièces de veilleuse à millivolt



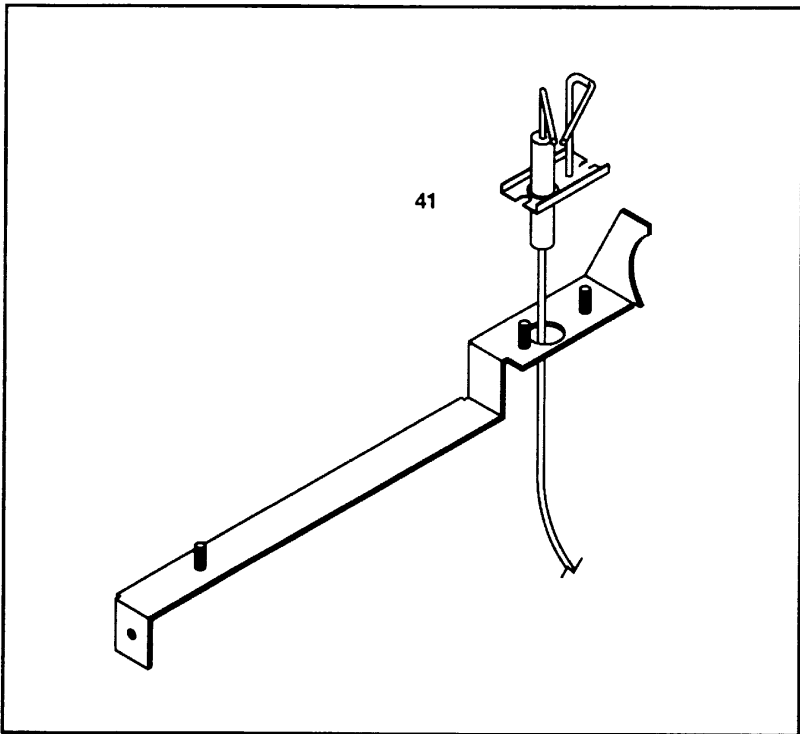
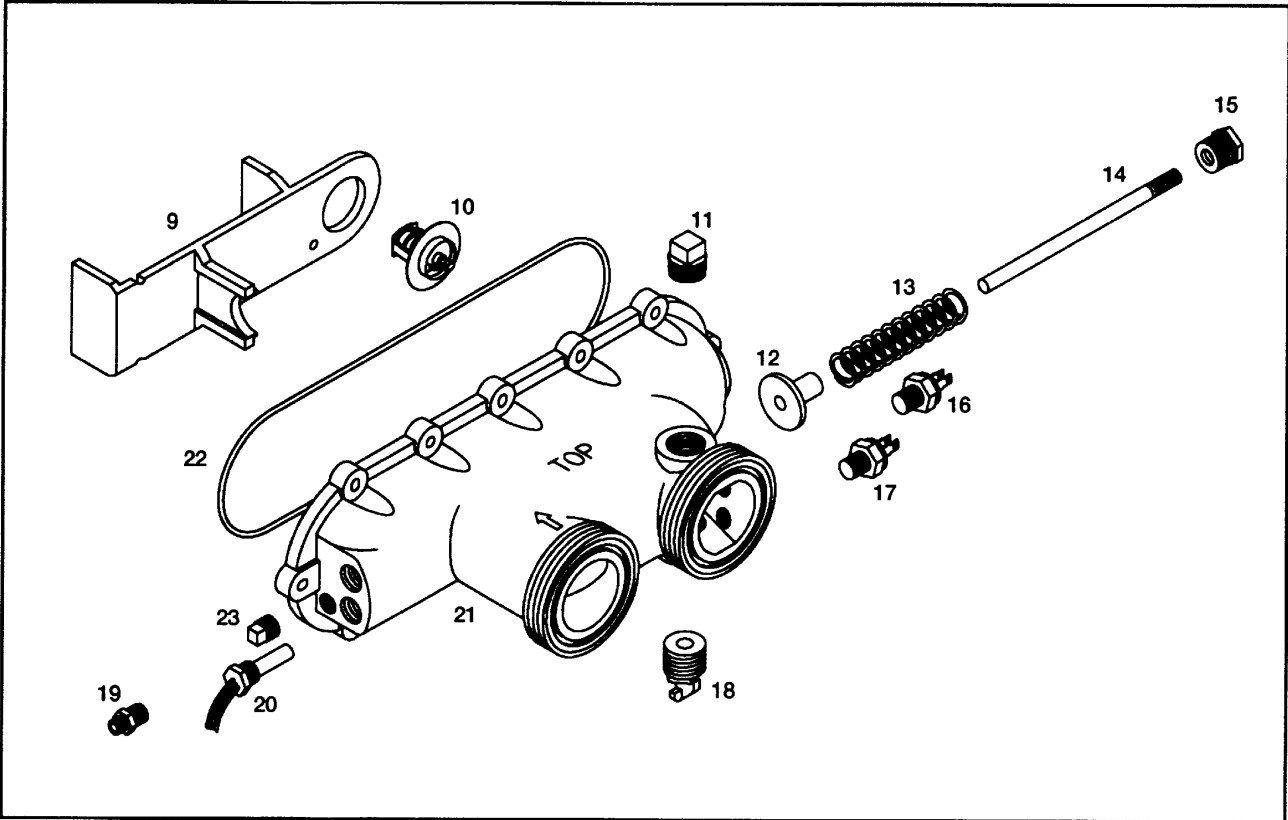
# Liste des pièces – Allumage électronique

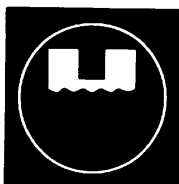
| ITEM NO. | PART NO.    | DESCRIPTION                            | ITEM NO. | PART NO.    | DESCRIPTION                                  |
|----------|-------------|--|----------|-------------|--|
| 1.       | HAXJKT1150  | Dessus de chemise - 150                | 27.      | HAXPHK1930  | Petit matériel en plastique                  |
| 1.       | HAXJKT1200  | Dessus de chemise - 200                | 28.      | HAXTLK1930  | Ens. rupteur thermique                       |
| 1.       | HAXJKT1251  | Dessus de chemise - 250                | 29.      | IDXLTMB1931 | Bloc de connexion 5 pôles                    |
| 1.       | HAXJKT1301  | Dessus de chemise - 300                | 30.      | CHXTRF1930  | Transformateur                               |
| 1.       | HAXJKT1351  | Dessus de chemise - 350                | 31.      | CHXGRL1930  | Patte de mise à terre TA-2                   |
| 1.       | HAXJKT1401  | Dessus de chemise - 400                | 32.      | HAXPSA1930  | Ens. manostat                                |
| 2.       | HAXDHO1930  | Insert DHO                             | 33.      | HAXCPA3151  | Ens. de tableau de commande - 150 DS         |
| 3.       | DHI150      | Chapeau de tirage intérieur - 150      | 33.      | HAXCPA3201  | Ens. de tableau de commande - 200 DS         |
| 3.       | DHI200      | Chapeau de tirage intérieur - 200      | 33.      | HAXCPA3251  | Ens. de tableau de commande - 250 DS         |
| 3.       | DHI250      | Chapeau de tirage intérieur - 250      | 33.      | HAXCPA3301  | Ens. de tableau de commande - 300 DS         |
| 3.       | DHI300      | Chapeau de tirage intérieur - 300      | 33.      | HAXCPA3351  | Ens. de tableau de commande - 350 DS         |
| 3.       | DHI350      | Chapeau de tirage intérieur - 350      | 33.      | HAXCPA3401  | Ens. de tableau de commande - 400 DS         |
| 3.       | DHI400      | Chapeau de tirage intérieur - 400      | 34.      | HAXCPA1930  | Ens. chaton de commande                      |
| 3.       | HWS150      | Cheminée extérieure - 150 (pas montré) | 35.      | HAXGSV0004  | Soupape de gaz, DS LP                        |
| 3.       | HWS200      | Cheminée extérieure - 200 (pas montré) | 35.      | HAXGSV0005  | Soupape de gaz, DS NA                        |
| 3.       | HWS250      | Cheminée extérieure - 250 (pas montré) | 36.      | HAXMAN1150  | Collecteur de gaz - 150                      |
| 3.       | HWS300      | Cheminée extérieure - 300 (pas montré) | 36.      | HAXMAN1200  | Collecteur de gaz - 200                      |
| 3.       | HWS350      | Cheminée extérieure - 350 (pas montré) | 36.      | HAXMAN1250  | Collecteur de gaz - 250                      |
| 3.       | HWS400      | Cheminée extérieure - 400 (pas montré) | 36.      | HAXMAN1300  | Collecteur de gaz - 300                      |
| 4.       | HAXHXA1150  | Ens. Échangeur de chaleur - 150        | 36.      | HAXMAN1350  | Collecteur de gaz - 350                      |
| 4.       | HAXHXA1200  | Ens. Échangeur de chaleur - 200        | 36.      | HAXMAN1400  | Collecteur de gaz - 400                      |
| 4.       | HAXHXA1250  | Ens. Échangeur de chaleur - 250        | 37.      | HAXBRN1930  | Tube de brûleur                              |
| 4.       | HAXHXA1300  | Ens. Échangeur de chaleur - 300        | 38.      | HAXBON1930  | Orifice de brûleur NA                        |
| 4.       | HAXHXA1350  | Ens. Échangeur de chaleur - 350        | 38.      | HAXBON1931  | Orifice de brûleur NA HA                     |
| 4.       | HAXHXA1400  | Ens. Échangeur de chaleur - 400        | 38.      | HAXBOP1932  | Orifice de brûleur LP                        |
| 5.       | HAXWHA0007  | Harnais de câbles, arrière DS          | 38.      | HAXBOP1931  | Orifice de brûleur LP HA                     |
| 6.       | HAXFOR1930  | Joints toriques                        | 39.      | HAXBMA1153  | Ens. de collecteur de brûleur 150 DS NA      |
| 7.       | HAXNIP1930  | Embouts de tuyau à brides              | 39.      | HAXBMA1154  | Ens. de collecteur de brûleur 150 DS LP      |
| 8.       | HAXNUT1930  | Écrous de raccord                      | 39.      | HAXBMA1203  | Ens. de collecteur de brûleur 200 DS NA      |
| 9.       | HAXBPI1931  | Plaque de dérivation                   | 39.      | HAXBMA1204  | Ens. de collecteur de brûleur 200 DS LP      |
| 10.      | HAXFCT1930  | Thermo. de contrôle d'écoulement       | 39.      | HAXBMA1253  | Ens. de collecteur de brûleur 250 DS NA      |
| 11.      | CHXPLG1930  | Bouchon en laiton NPT 3/4 po           | 39.      | HAXBMA1254  | Ens. de collecteur de brûleur 250 DS LP      |
| 12.      | HAXBPV1930  | Soupape de dérivation                  | 39.      | HAXBMA1303  | Ens. de collecteur de brûleur 300 DS NA      |
| 13.      | HAXVSG1930  | Ressort de soupape                     | 39.      | HAXBMA1304  | Ens. de collecteur de brûleur 300 DS LP      |
| 14.      | HAXSFT1930  | Arbre en laiton                        | 39.      | HAXBMA1353  | Ens. de collecteur de brûleur 350 DS NA      |
| 15.      | HAXADP1930  | Adaptateur en laiton                   | 39.      | HAXBMA1354  | Ens. de collecteur de brûleur 350 DS LP      |
| 16.      | HAXHLI1930  | Haute limite 135° F                    | 39.      | HAXBMA1403  | Ens. de collecteur de brûleur 400 DS NA      |
| 17.      | HMXHLI2932  | Haute limite 160° F                    | 39.      | HAXBMA1404  | Ens. de collecteur de brûleur 400 DS LP      |
| 18.      | CHXDRV1930  | Ens. soupape d'évacuation              | 40.      | HAXFAD1150  | Ensemble de porte d'accès avant - 150        |
| 19.      | CHXPSA1930  | Adaptateur de manostat                 | 40.      | HAXFAD1200  | Ensemble de porte d'accès avant - 200        |
| 20.      | IDXLTER1930 | Thermistance                           | 40.      | HAXFAD1250  | Ensemble de porte d'accès avant - 250        |
| 21.      | HAXFHD1931  | Collecteur avant seulement             | 40.      | HAXFAD1300  | Ensemble de porte d'accès avant - 300        |
| 22.      | HAXHOR1930  | Jointe torique de collecteur           | 40.      | HAXFAD1350  | Ensemble de porte d'accès avant - 350        |
| 23.      | HAXPLG1931  | Bouchon en laiton 3/8 po               | 40.      | HAXFAD1400  | Ensemble de porte d'accès avant - 400        |
| 24.      | HAXURA1930  | Couvercle d'accès droit supérieur      | 41.      | HAXIGN1931  | Ensemble d'allumeur                          |
| 25.      | HAXLRA1931  | Couvercle d'accès droit inférieur      | -        | HAXWHA0008  | Harnais de câbles, principal DS (pas montré) |
| 26.      | HAXLAC1930  | Couvercle d'accès gauche               |          |             |  |

# Illustration de pièces - Allumage électronique



# Illustration de pièces - Allumage électronique





# Certificat de garantie limitée de l'appareil de chauffage de piscine Hayward

## Garantie limitée de l'appareil de chauffage:

**MODALITÉS ET COUVERTURE:** Nous garantissons que notre appareil de chauffage de piscine est exempt de vices de construction et de matériaux dans des conditions normales d'utilisation et d'entretien. Conformément à cette garantie et sous réserve des conditions et exceptions indiquées ci-après:

1. Nous remplacerons (coût du transport, installation, coût du carburant, et main-d'oeuvre aux frais de l'utilisateur) par le modèle comparable sur le marché, ou, à notre choix, réparerons tout appareil de chauffage de piscine/spa qui fuit dans des conditions normales d'utilisation et d'entretien dans un délai de deux ans suivant la date de l'installation initiale pour utilisateurs de résidence monofamiliale et un an pour tous les autres utilisateurs.
2. En outre, nous remplacerons (coût du transport, installation, coût du carburant, et main-d'oeuvre aux frais de l'utilisateur) ou, à notre choix, réparerons toute pièce de l'appareil de chauffage de piscine/spa qui fait défaut dans des conditions normales d'utilisation et d'entretien dans un délai de deux ans suivant la date de l'installation initiale pour utilisateurs de résidence monofamiliale et un an pour tous les autres utilisateurs.

**LIMITE DES GARANTIES IMPLICITES: NOUS NE SOMMES RESPONSABLES D'AUCUN DOMMAGE INDIRECT POUR RUPTURE DE TOUTE GARANTIE ÉCRITE OU IMPLICITE DE CE PRODUIT.** Les garanties implicites, y compris la GARANTIE DE COMMERCIALISATION et toutes les autres garanties implicites qui peuvent découler de la pratique ou de l'usage commercial imposées sur la vente de cet appareil de chauffage en vertu des lois de l'État sont d'une durée limitée à une période de deux (2) ans pour utilisateurs de résidence monofamiliale et un (1) an pour tous les autres utilisateurs. Aucune garantie n'est donnée au-delà de la description énoncée dans les présentes. Nous ne serons en aucun cas tenus responsables des dommages spéciaux, indirects ou accessoires.

**FRAIS DE LIVRAISON ET D'INSTALLATION:** Chaque appareil de chauffage de piscine ou pièce de rechange devant être fourni en vertu de cette garantie sera fourni à notre centre de distribution le plus proche. Nous ne paierons pas et nous ne serons pas responsables des frais d'expédition ou de livraison au lieu d'installation, de même que des frais de main-d'oeuvre ou autres frais d'enlèvement ou d'installation. Chaque appareil de chauffage défectueux ou pièce remplacée en vertu de cette garantie deviendra notre propriété, et, en tant que tel, doit être retourné à notre centre de distribution avec les frais de transport payés par l'utilisateur. Tout appareil de chauffage de remplacement fourni en vertu de cette garantie demeurera garanti uniquement pendant la période à courir de cette garantie.

**CONDITIONS ET EXCEPTIONS:** Cette garantie s'applique uniquement à l'appareil de chauffage de piscine/spa à son lieu d'installation d'origine et uniquement pour le propriétaire d'origine. Cette garantie s'applique uniquement aux appareils de chauffage installés pour APPLICATIONS RÉSIDENTIELLES MONOFAMILIALES. (Les appareils de

chauffage installés pour utilisations commerciales, multifamiliales et autres seront garantis pendant une période d'un an depuis la date de l'installation.) Cette garantie ne s'applique pas si l'appareil de chauffage de piscine est installé en violation de tout code ou règlement applicable, ou n'est pas installé, utilisé et entretenu conformément à nos instructions, ou est utilisé erronément, abîmé par un accident, les éléments, un cas fortuit, le gel, un manque d'eau et/ou une pression excessive, altéré ou débranché. Elle ne s'applique pas en ce qui concerne:

1. Un appareil de chauffage qui n'est pas équipé de commandes à maximum AGA homologuées ou d'une soupape de surpression équivalente, posée conformément au règlement applicable;
2. Un appareil de chauffage utilisé avec des réglages en sus de ceux indiqués sur la plaque signalétique et/ou du carburant qui ne se conforme pas à celui indiqué sur cette plaque;
3. Un appareil de chauffage sur lequel les numéros de série ont été altérés, effacés ou enlevés;
4. Des fuites découlant d'une installation erronée;
5. Production de bruit, d'odeurs ou d'eau décolorée (rouillée, etc.);
6. Fuites essentiellement causées par des sédiments, un précipité de chaux et/ou un niveau plus élevé que la normale de solides dissous (pH au-dessus de 7,8) dans le réservoir, les tubes en cuivre ou les conduits d'eau;
7. Fuites essentiellement causées par des éléments corrosifs dans l'air (tels que le stockage de chlore ou autres produits chimiques);
8. Fuites causées principalement ou en partie par la présence, dans la piscine, d'eau corrosive dans un état acide (pH inférieur à 7,2);
9. Dommages causés principalement ou en partie par une source externe d'énergie;
10. Un appareil de chauffage de piscine/spa est un dispositif contenant de l'eau. On peut s'attendre à une fuite d'eau de ce dispositif à un moment ou un autre en raison d'une défaillance ou des limites de la durée de vie des différents composants. Ne pas installer ce produit là où ces fuites peuvent causer des dommages. LE FABRICANT N'EST RESPONSABLE D'AUCUNS FRAIS ENCOURUS PAR CES DOMMAGES.

**NOUS NE SERONS EN AUCUN CAS TENUS RESPONSABLES DES DOMMAGES À LA ZONE OU AUX BIENS AVOISINANTS CAUSÉS PAR DES FUITES OU UN DÉFAUT DE FONCTIONNEMENT.**

**POUR SE PRÉVALOIR DE CETTE GARANTIE:** En découvrant la défectuosité, le propriétaire d'origine doit présenter la carte de réclamation de garantie ci-jointe, dûment remplie, accompagnée d'une preuve d'achat au vendeur ou aviser la Société par écrit à l'adresse suivante:

Hayward Pool Products, Inc.  
900 Fairmont Avenue  
Elizabeth, NJ 07207  
ou  
Hayward Pool Products, Inc.  
2875 Pomona Boulevard  
Pomona, CA 91768

Sur réception d'une telle notification, nous déciderons si nous devons réparer ces pièces ou remplacer tout appareil de chauffage de piscine, en nous réservant à tout moment le droit d'inspecter afin de vérifier tout défaut allégué. Nous nous réservons également le droit de demander à nos représentants de procéder à des inspections, réparations ou de fournir des pièces de rechange. Cette garantie est entendue comme une obligation légalement exécutoire de la Société, exécutoire devant les tribunaux. Cette garantie peut vous donner des droits précis qui peuvent varier d'un État à un autre.

**LIMITE DE RESPONSABILITÉ:** Toutes les déclarations voulues ont été précisées explicitement dans ce document. Cette garantie ne peut être étendue par déclarations orales ou toute autre déclaration supplémentaire, information commerciale écrite, dessin ou autrement. Dans l'hypothèse de fuites ou autre défaillance, notre responsabilité se limite strictement à la réparation ou au remplacement de l'appareil de chauffage ou de la pièce défectueuse, comme prévu aux présentes, et la Société n'est pas responsable en vertu des présentes de blessures ou de dommages matériels accessoires ou indirects, de perte intérimaire de l'utilisation de l'appareil de chauffage, d'inconvénients ou autres coûts ou dommages indirects ou accessoires. La Société n'assume et n'autorise aucune personne ou société à assumer pour nous aucune responsabilité ou obligation ultérieure relative à la vente, l'installation, l'utilisation, l'entretien ou la présence de l'appareil de chauffage.

**MISE EN GARDE:** Les appareils de chauffage de piscine sont des appareils qui produisent de la chaleur et pour éviter des dommages ou blessures dans l'hypothèse d'une éventuelle surchauffe de la chemise extérieure (1), aucune substance ne doit être stockée contre la chemise et (2) on doit faire attention à éviter tout contact superflu (surtout

par les enfants) avec la chemise. En allumant un appareil de chauffage à gaz, les instructions d'allumage doivent être suivies exactement pour prévenir un éventuel retour de flamme du gaz accumulé dans l'appareil de chauffage. Sur les appareils de chauffage à allumage électronique, il importe de couper le courant avant de régler, d'entretenir ou de venir en contact avec l'appareil de chauffage. **DES MATIÈRES INFLAMMABLES, TELLES QU'ESSENCE OU DILUANTS DE PEINTURE, NE DOIVENT EN AUCUNE CIRCONSTANCE ÊTRE UTILISÉES OU CONSERVÉES À PROXIMITÉ DE L'APPAREIL DE CHAUFFAGE OU À TOUT ENDROIT À PARTIR DUQUEL DES FUMÉES POURRAIENT ATTEINDRE L'APPAREIL DE CHAUFFAGE.** Pour votre confort, votre plaisir et votre sécurité, veuillez lire attentivement la notice d'utilisation ci-jointe.

## Garantie limitée de cinq ans FireTile™.

**MODALITÉS ET COUVERTURE:** Cette garantie est une garantie limitée étendue applicable aux composants FireTile™ utilisés dans la chambre de combustion de votre appareil de chauffage de piscine/spa. Toutes les modalités, conditions, limitations et exceptions de la garantie limitée régulière de l'appareil de chauffage de piscine demeurent en vigueur, s'appliquent à cette garantie et sont incorporées aux présentes par référence.

En vertu des modalités de cette garantie limitée spéciale FireTile™, nous remplacerons (coût du transport, installation, coût du carburant, et main-d'oeuvre aux frais de l'utilisateur) tout composant de votre appareil de chauffage de piscine/spa fabriqué par FireTile™ qui présente des vices de fabrication et de matériaux dans des conditions normales d'utilisation et d'entretien dans une application résidentielle monofamiliale pendant une période de cinq (5) ans.

UTILISEZ CETTE UNIQUEMENT POUR PRESENTER UNE RECLAMATION.

### CARTE DE RÉCLAMATION DE GARANTIE LIMITÉE DE 2 ANS POUR APPAREIL DE CHAUFFAGE DE PISCINE/SPA

No. de modèle \_\_\_\_\_ No. de série \_\_\_\_\_

Nom de l'acheteur \_\_\_\_\_

Adresse d'installation \_\_\_\_\_

Ville et province \_\_\_\_\_

Utilisation résidentielle monofamiliale  Oui  Non Sinon, indiquer l'utilisation \_\_\_\_\_

Nom du revendeur/distributeur \_\_\_\_\_

Adresse \_\_\_\_\_

Date d'installation \_\_\_\_\_

Remarque au revendeur/distributeur: Inscrire les renseignements suivants sur l'appareil de chauffage de remplacement:

No. de modèle \_\_\_\_\_ No. de série \_\_\_\_\_ Date d'installation \_\_\_\_\_

# Notes



## **HAYWARD POOL PRODUCTS, INC.**

Hayward Pool Products, Inc.  
900 Fairmount Avenue  
Elizabeth, NJ 07207

Hayward Pool Products, Inc.  
2875 Pomona Boulevard  
Pomona, CA 91768

Hayward Pool Products, Inc.  
2880 Plymouth Drive  
Oakville, Ontario L6H 5R4

Hayward S.A.  
Zoming de Jumet  
B6040 Jumet, Belgium