



**MODEL 2000CS STAIR ENTRY SYSTEM
with GATE and
ANTI-ENTRAPMENT BARRIER**



ASSEMBLY & INSTALLATION INSTRUCTIONS

Vinyl Works Canada manufactures this product in accordance to code requirements set forth by BOCA / ANSI / NSPI while subject to the intended proper and normal use as outlined on the following instructions

**READ THE FOLLOWING INSTRUCTIONS PRIOR TO ASSEMBLY,
INSTALLATION AND USE OF THIS PRODUCT**

**WARNING: NO DIVING or NO JUMPING
Serious personal injury can occur**

SAFETY INSTRUCTIONS & PROPER USE

- No diving - No jumping
- Secure & lock gate at all times when pool is not in use
 - One person on the stair at a time
 - Locate stair on solid base
- This stair is designed for 48" to 52" pool heights
- Face stairs at all times when entering / exiting pool
- This stair is designed for 350 lb capacity / one person
- Barrier must be installed to prevent swimming behind stair
- **REMEMBER—NOTHING REPLACES PARENTAL SUPERVISION**
 - **SWIM SAFELY**

ASSEMBLY INSTRUCTIONS

Page 1

1. Set stringers L & R on a flat surface and butt at tops as shown in Figure 1. Stringers are embossed with "L" & "R" and ends for identification



Figure 1

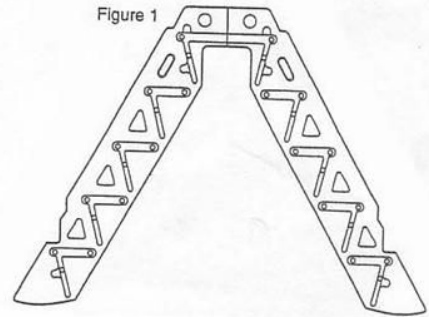


Figure 1

2. Fit top platform into the slots of stringers aligning knobs on platform with holes in stringer (Figure 2). Make certain anti-skid surface is facing upward. Press/tap platform to lock in place with body weight or a small piece of wood and hammer as shown in Detail a. Make certain not to damage locking knobs & make certain knobs protrude and lock through stringers (see Detail B)

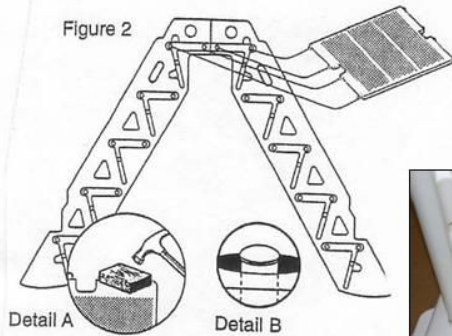


Figure 2

Detail A

Detail B



3. Bend eight (8) treads/risers as shown in Figure 3. Fit into slots of stringers aligning knobs on treads/risers with holes in stringers (Figure 4). Tap and lock into place similar to top platform in Step 2 (Details A & B). Make certain knobs protrude through stringers and lock firmly in place. Repeat for all treads/risers on both sides/stringers. Make certain the "warning signs" face outward and anti-skid surfaces upward.

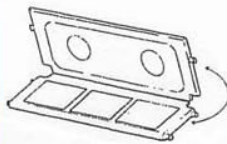


Figure 3



Detail B

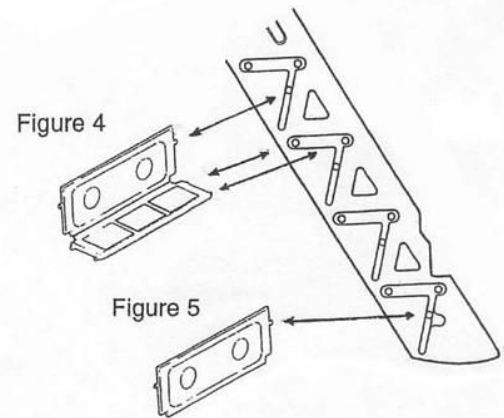


Figure 4

Figure 5

Figure 4 & 5

4. Fit two (2) bottom risers into bottom slots on stringers as shown in Figure 4 & 5. Make certain they lock in place



Bottom riser

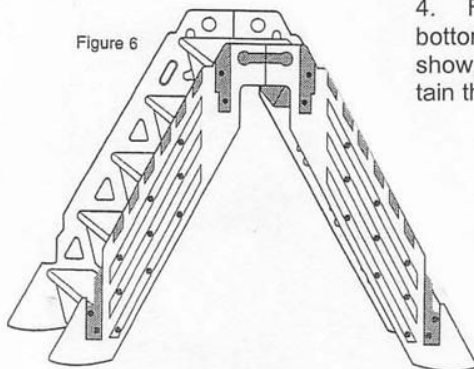


Figure 6

5. Set second set of stringers (L & R) on top of installed treads/risers, top platform & bottom risers, aligning knobs with holes similar to Steps 2-4 above. Press/tap stringers in place with body weight or a small piece of wood & hammer similar to above. Make certain all knobs protrude through and lock stringers firmly in place. Check all knobs/locations for proper assembly & to make certain they are secure (see Figure 6 & Detail B)

6. Fit a square top handrail (short) in place between two top posts (short) as shown in Figure 7. Make certain the handrails fit securely in place. Fit the two connected top posts and handrail into the top pockets of the stringers and press in place. Position a u-shaped connector ovetop and also press in place (see Figure 8). Secure u-shaped connector and posts using two (2) 2 1/4" bolts, four (4) washers (both sides) and hex nuts. Use six (6) 3/4" bolts, twelve (12) washers (both sides) and hex nuts to complete the fastening of the u-shaped connector. Tighten all hardware. Pre-drill 1/8" pilot holes in both ends of the top handrail and secure in place using two #8 x 3/4" screws

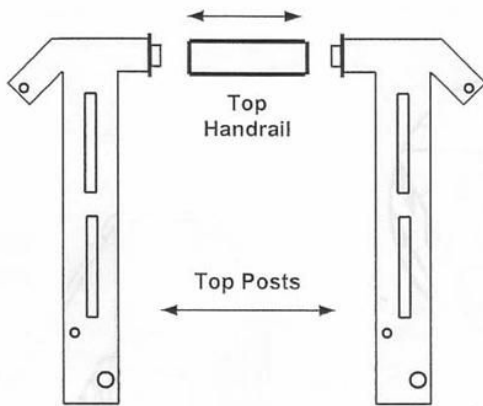


Figure 7

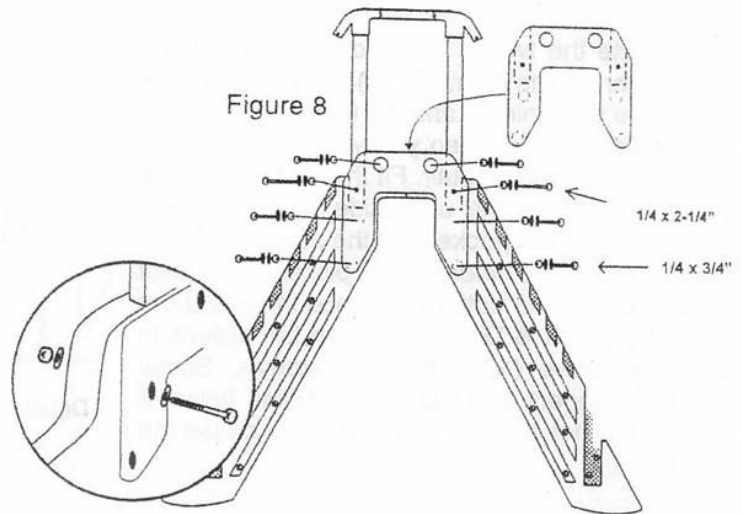


Figure 8

7. Turn stair over 180°

8. Repeat Step 6 above for the remaining top posts, top handrail and u-shaped connector on the opposite side of the stair

9. Stand stair in upright position. Fit bottom posts (long) into the pockets at the bottom of the stringers and press in place. Secure bottom posts using one (1) 1 1/2" bolt in the bottom hole and one (1) 1" bolt in the top hole. These bolts do not require any washers. The bottom bolt passes from the inside of the stair outward and the top bolt passes from the outside of the stair inward. Each of the hex nuts fits into molded pockets to accept nut and prevents them from turning. Tighten hardware

10. Repeat Step 9 for all bottom posts

TIGHTEN ALL HARDWARE

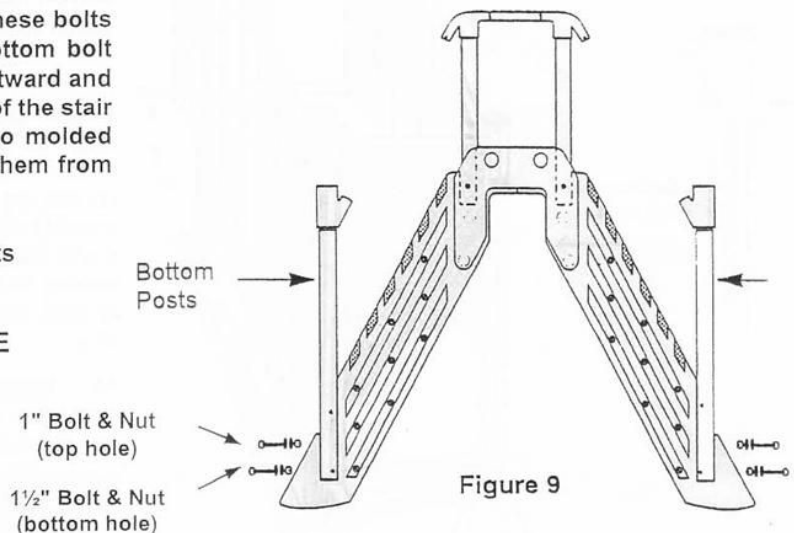


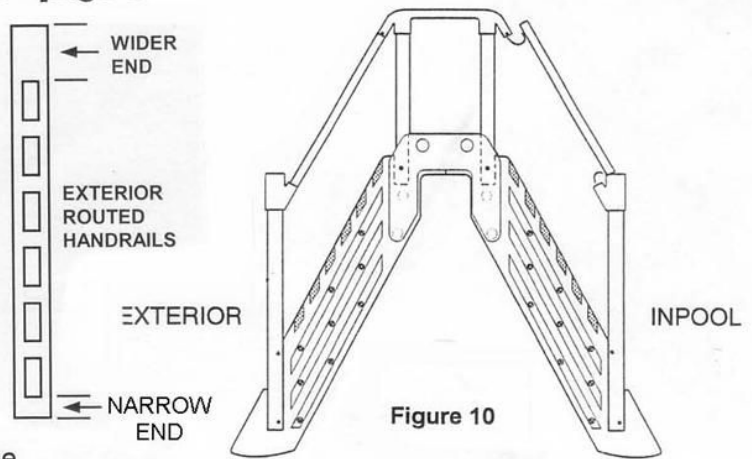
Figure 9

1" Bolt & Nut
(top hole)

1 1/2" Bolt & Nut
(bottom hole)

Assembly instructions for Stair Systems - page 3

11. Fit the two (2) square handrails (exterior with routed holes facing downward) into the top post and over bottom post for the exterior portion of stair. **MAKE CERTAIN NARROW END IS TOWARDS BOTTOM POSTS.** Secure connections top & bottom with #8 x 3/4 screws provided. Repeat for the two (2) handrails (blank) provided for the inpool portion of the stair. Tighten hardware. See Figure 10



12. Separate the twelve (12) pickets used on the exterior portion of the stair. Six (6) will be marked R (right) and the remaining marked L (left). Each side of the stair is determined when you view it straight on, as if you are to climb the stair. Fit the pickets into the rectangular holes on the underside of the exterior handrails and into the pockets on the stringers. Make certain the predrilled holes in the pickets to accept the screws are on the bottom and face in toward the stair (see Figure 11 & Detail I). Fasten the pickets in place using twelve (12) #10 x 1" screws. Screw through the stringers and into the predrilled holes of the pickets. Do not over-tighten as it could cause the holes to strip.



Detail I

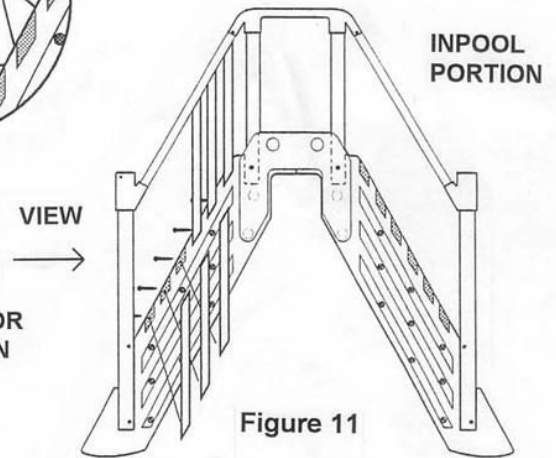
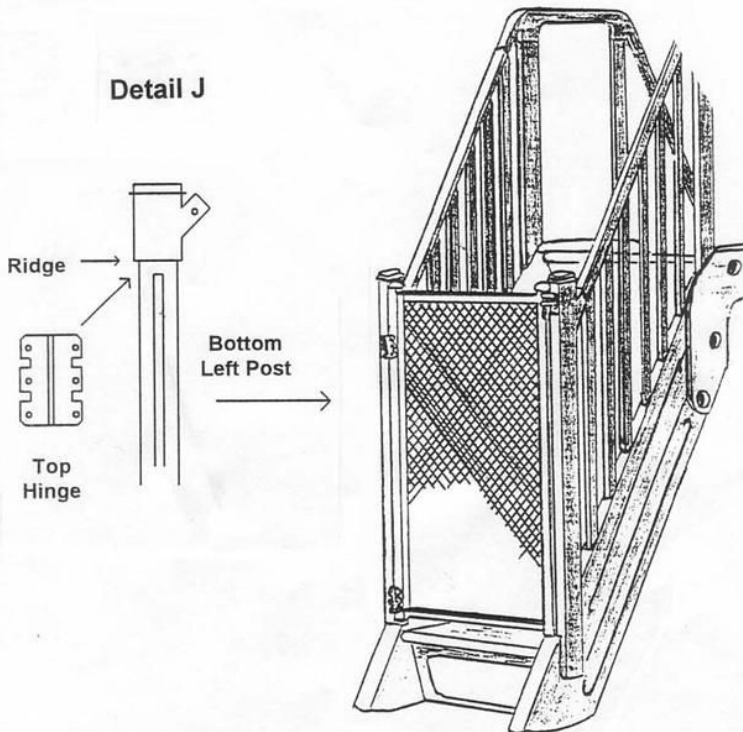


Figure 12



13. Attach two (2) spring-loaded hinges to gate using six (6) #10 x 1" screws. Gate has predrilled holes to accept screws to fasten hinges. Attach striker bar to gate using two (2) #10 x 1" screws. Gate has predrilled holes to accept screws to fasten striker (see Figure 12). Position gate in stair opening on the exterior portion so that the upper hinge is directly below the ridge in the bottom left exterior post (see Detail J). You should have @ 1/4" gap between gate and bottom stair tread so that the gate will open without hitting tread. Likewise, you should balance the gate spacing between the bottom posts so it will open freely. Mark location of remaining six (6) hinge screws on post. Predrill holes using 1/8" drill bit. Fasten gate to post. Make certain not to overtighten screws as holes may strip.

14. Position the latch on the post with the striker in it and mark the four (4) screw locations. Predrill 1/8" holes and attach latch using four (4) #10 x 1" screws. Do not overtighten screws as holes may strip. Make certain gate functions properly. It should open with tension, self-close and self-latch. If the gate does not function properly see the Corrective Measure on the following page of this instruction guide.

Assembly Instructions—Page 4

15. Before positioning the stair system in the pool check the bottom of the stringers of the in-pool portion for any sharp edges or debris that may be attached. IT IS VERY IMPORTANT THAT THE BOTTOM OF THE STRINGERS BE VERY SMOOTH SO IT DOES NOT DAMAGE THE POOL LINER (see Figure 13)

16. GO TO BARRIER INSTALLATION SHEET FOR ASSEMBLY / INSTALLATION PROCEDURE (last page of instructions - separate). Please follow the instructions & installation of the required barrier as it prevents swimming behind the stair system and possible entrapment



Stair Barrier

17. Determine the desired location of the stair system in the pool. It is recommended to be easy accessible and not in a high traffic location. The stair must be placed between two of the pool upright / support posts (see Figure 14). Lower the assembled stair into the pool making certain the in-pool portion fills with water and sits level on the bottom of the pool. The exterior portion of the unit should be leveled and checked for proper stability before use. Make certain the gate operates properly and self closes.

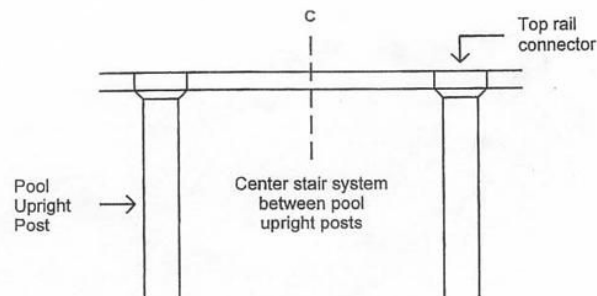
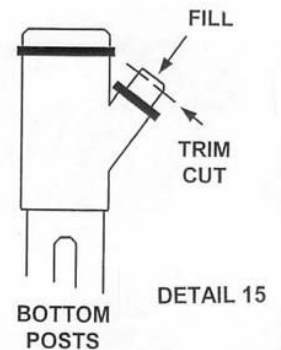


Figure 14



FIGURE 13
Bottom of stringers should be smooth & free of any debris



DETAIL 15

IMPORTANT

PLEASE KEEP GATE LOCKED AT ALL TIMES WHEN THE POOL IS NOT IN USE

DO NOT DIVE OR JUMP INTO THE POOL FROM THE STAIR SYSTEM - SERIOUS PERSONAL INJURY CAN OCCUR

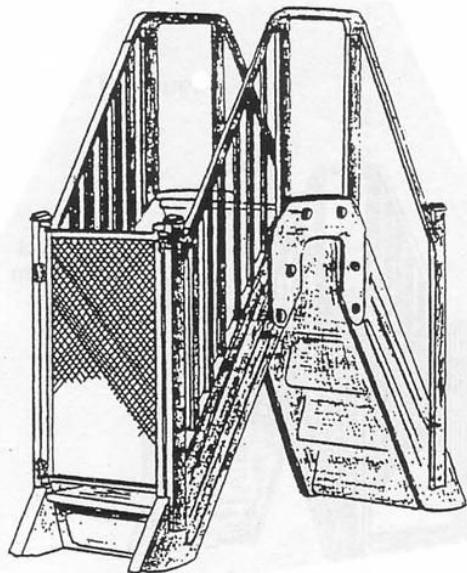
REMEMBER, NOTHING REPLACES PARENTAL SUPERVISION

HELPFUL HINT

Need extra ballast for the stairs for increased stability? The bottom posts can be filled with coarse sand or gravel (recommended) to weight stair and make more stable within the pool. Remove in-pool handrails and cut / trim the bottom post handrail connectors *slightly* to expose empty / hollow cavity within (see Figure 15). Using a funnel, fill in-pool posts completely for maximum weight. Make certain no to over-trim handrail connectors as handrails must fit over and secure in place. Reattach and secure handrails

CORRECTIVE MEASURE

Within the hardware package you will find instructions & hardware for an addition / third gate hinge (packaged separately within). Please read this instruction for the proper installation. The third hinge is used in the event that the gate sags or does not close properly. It is VERY IMPORTANT that the gate closes and operates properly to ensure the pool is protected. If you have any questions, please contact our customer service department @ 877-VINYL WK



MODEL 2000CS POOL STAIR ENTRY SYSTEM WITH GATE

**This unit comes packaged
in four (4) cartons total**

Please use the lists below to familiarize
yourself with the component parts,
quantities and part locations

HARDWARE LIST

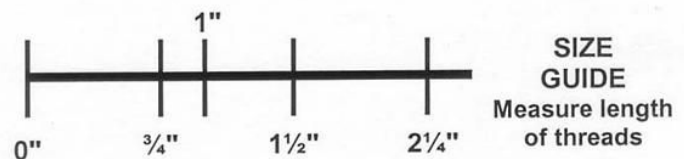
PARTS LIST

<ul style="list-style-type: none"> 2 - Right stringers 2 - Left stringers 8 - Folding treads / risers 2 - Risers (single pcs for bottom) 1 - Top platform 4 - Top posts (short) 4 - Bottom Posts (long) 2 - U-shaped connectors 2 - Exterior square handrails (routed to accepted pickets) 2 - In-pool square handrails (blank - no holes) 2 - Top square handrails (short - between top posts) 6 - Right pickets (packaged & identified by "R") 6 - Left pickets (packaged & identified by "L") 1 - Preassembled gate 1 - Hardware & instruction (master pack) 1 - Barrier 	<ul style="list-style-type: none"> 2 - Gate hinges 1 - Gate latch & striker 30 - #10 x 1" screws (+ barrier) 12 - for pickets 12 - for hinges 6 - for latch & striker 24 - #8 x 3/4" screws (all for handrails) 12 - 3/4" stainless bolts (all for u-shaped connector) 4 - 2-1/4" stainless bolts (for top posts) 4 - 1-1/2" stainless bolts (for btm post/btm hole) 4 - 1" stainless bolts (for btm post/top hole) 32 - Stainless washers 24 - for u-shaped connectors (2 per 3/4" bolt/both sides) 8 - for top posts (2 per 2-1/4" bolt/ both sides) 24 - Stainless nuts 12 - for u-shaped connectors 4 - for top posts 8 - for bottom posts 1 - 3rd hinge pack (separate hardware for gate) 1 - Instruction guide (stair) 1 - Barrier hardware & instruction (packaged separately)
---	--

QUESTIONS ? or COMMENTS ?
feel free to contact us


VinylWorks
CANADA

Toll free: 877-VINYL WK
Email: office@vinylworkscanada.com
Web: www.vinylworkscanada.com

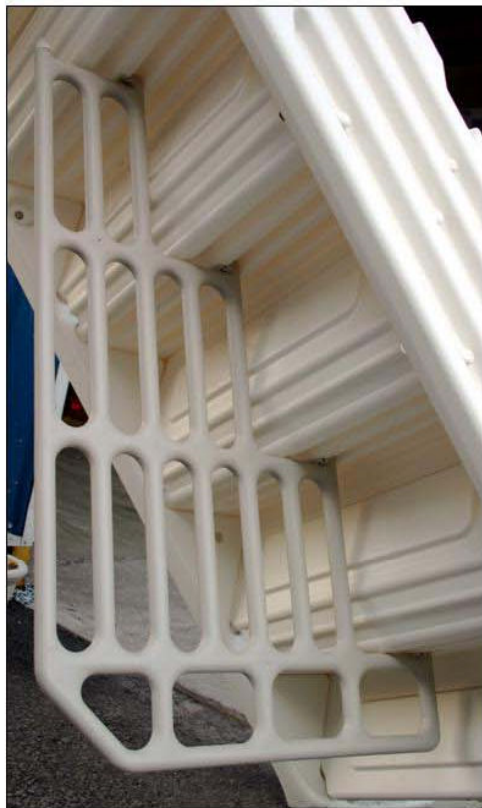




The barrier is hollow and can be filled with sand or gravel for ballast if desired. A cap is included to seal once filled



Secure the barrier in place using the eight (8) #10x1" screws provided. Make certain not to over-tighten the screws as they may strip vinyl. Repeat for all locations on barrier



Position the barrier in the center of the underside of in-pool stair section. The knobs of the barrier fit into the open cavities on the underside of the stair treads



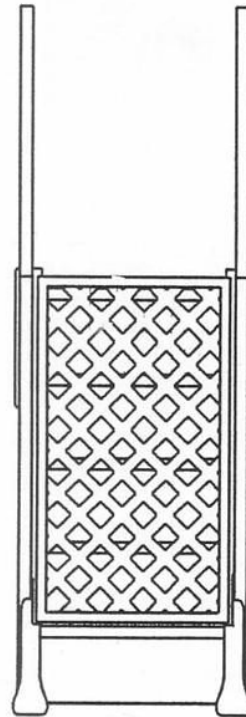
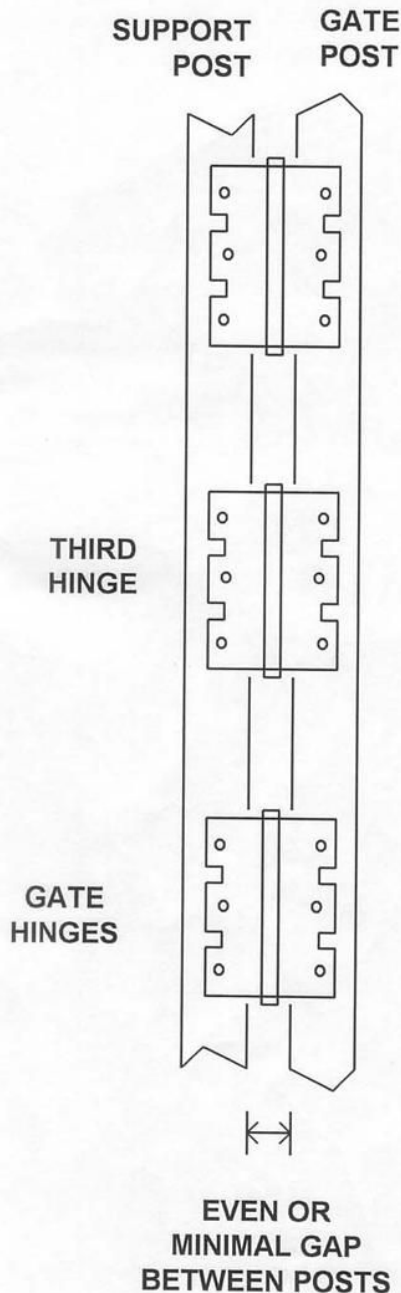
Make certain the barrier is securely fastened in place before positioning stair within the pool



MODEL 2000 STAIR ENTRY SYSTEM

by Vinyl Works Canada

SPRING GATE CORRECTION



When the Model 2000 Stair Entry System is fully assembled it is possible that the gate may sag and not close properly. In the event that this may occur we have supplied the enclosed hardware to correct the situation. When the stair is fully assembled the gate is supported by two spring hinges. A third hinge is required and is enclosed with this instruction. Attach the hinge by pre-drilling a 1/8" hole for the three screw holes on the gate. Make certain the hinge is centered on the gate post and vertically between the other two hinges. Attach the hinge using three screws provided. BEFORE PRE-DRILLING THE REMAINING THREE HOLES ON THE SUPPORT POST IT IS IMPORTANT TO PULL THE GATE AND SUPPORT POST TOGETHER TO EVEN OR MINIMIZE THE GAP BETWEEN THEM. Pre-drill only the center hole on the hinge in the support post and fasten using a screw. Check the gate for proper closure. If the gate functions properly complete the fastening of the hinge. If the gate does not close properly you may need to pull the posts closer together. In doing so repeat the fastening of the hinge for the remaining screws as described above.