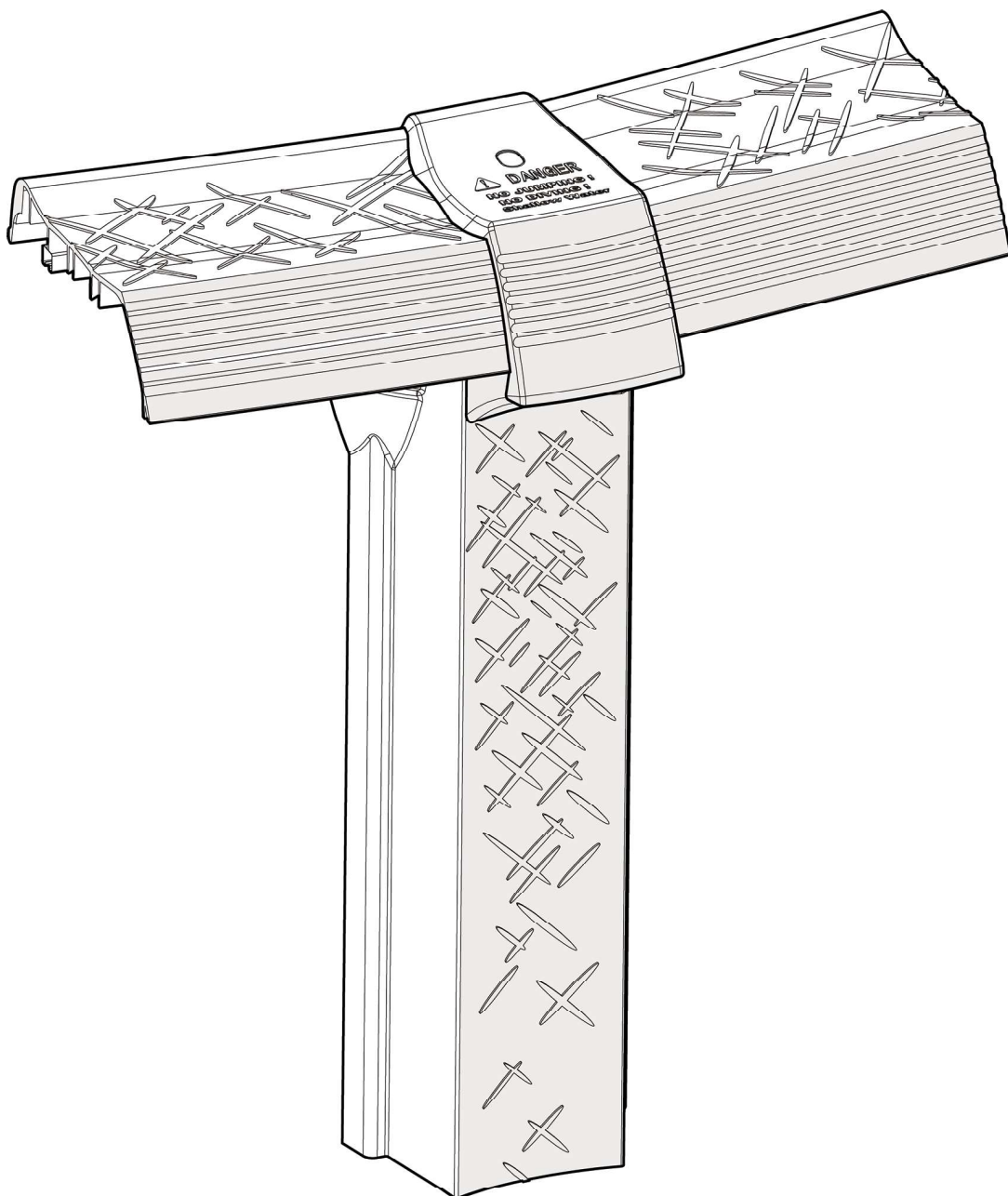
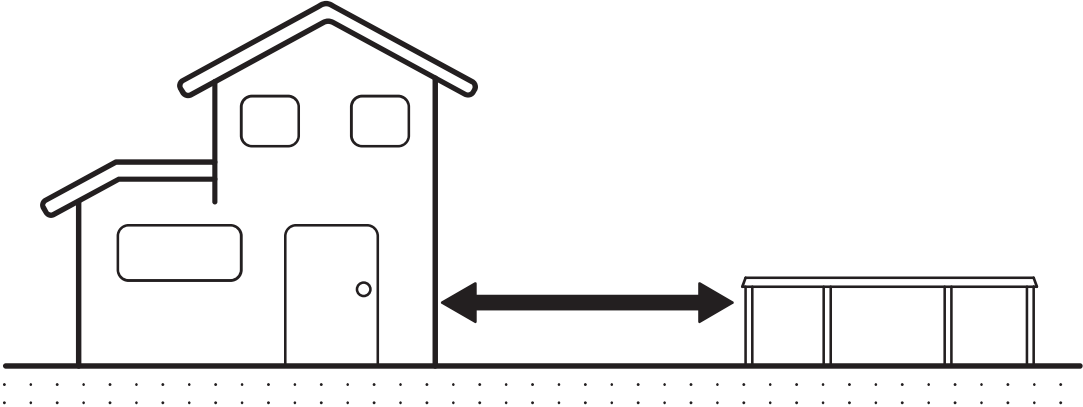


OVAL POOL

PREMIUM model

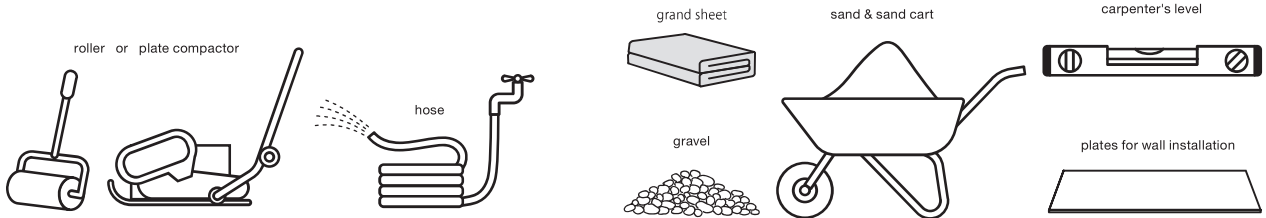
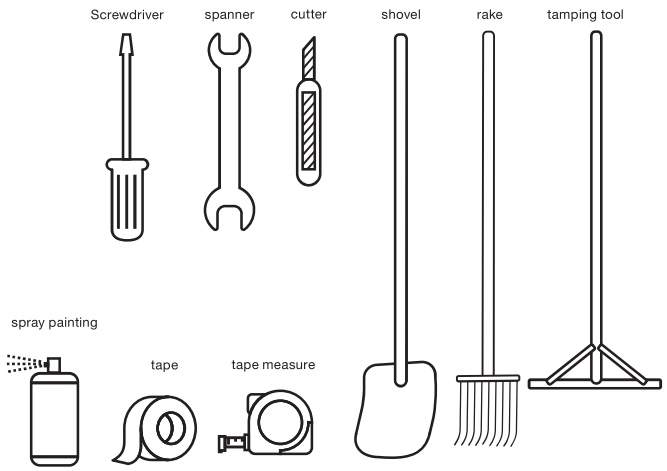
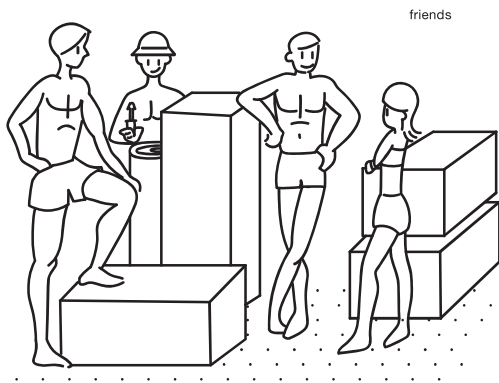


LOCATION



A large rectangular frame containing a warning sign (a triangle with an exclamation mark) in the top-left corner. The frame is divided into four quadrants by a horizontal dashed line. The top-left quadrant shows a building on a flat ground level with a checkmark in a circle above it. The top-right quadrant shows a building on a slope that rises to the right, with a checkmark in a circle above it. The bottom-left quadrant shows a building on a slope that falls to the left, with an 'X' in a circle above it. The bottom-right quadrant shows a building on a slope that rises to the right, with an 'X' in a circle above it. Below the dashed line, there are two more diagrams: on the left, a tree stands to the left of a building on a flat ground level; on the right, a utility pole with wires stands to the left of a building on a flat ground level.

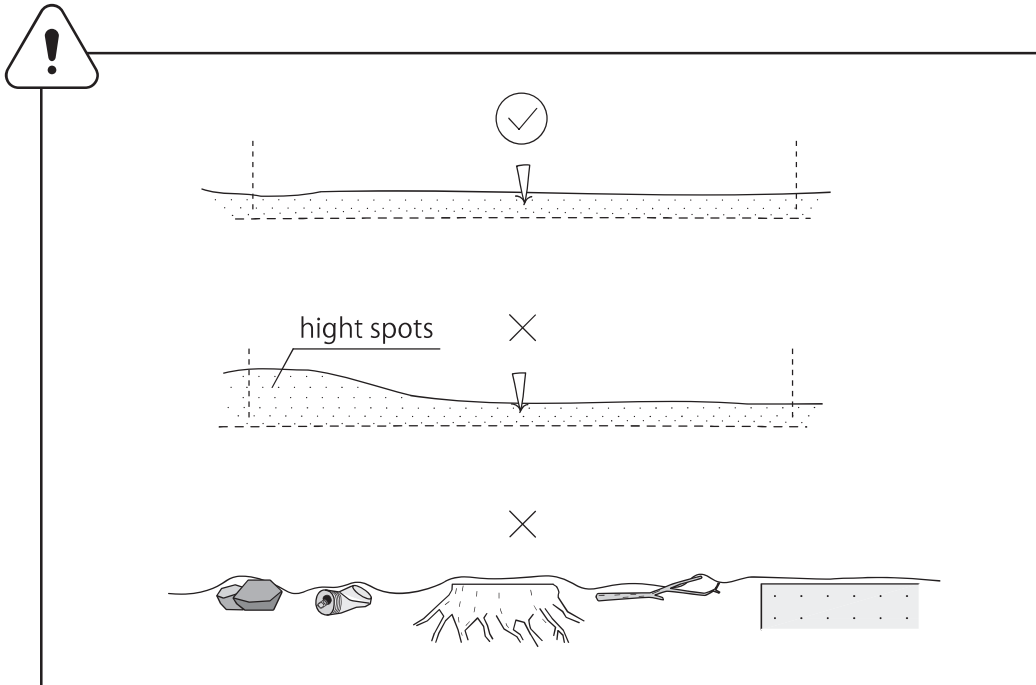
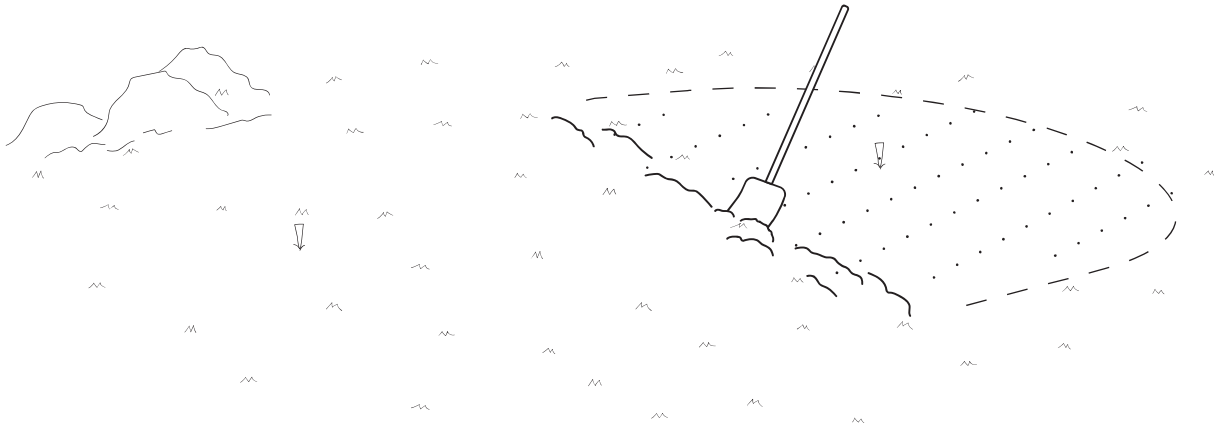
TOOLS



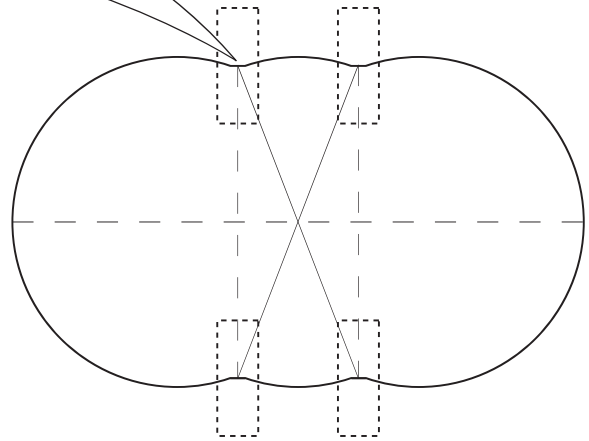
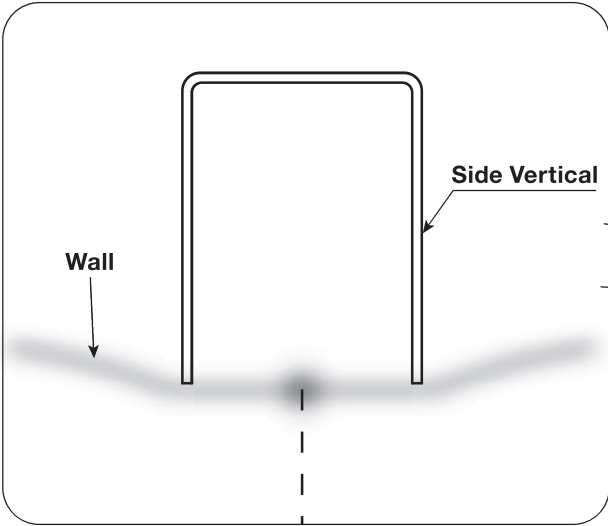
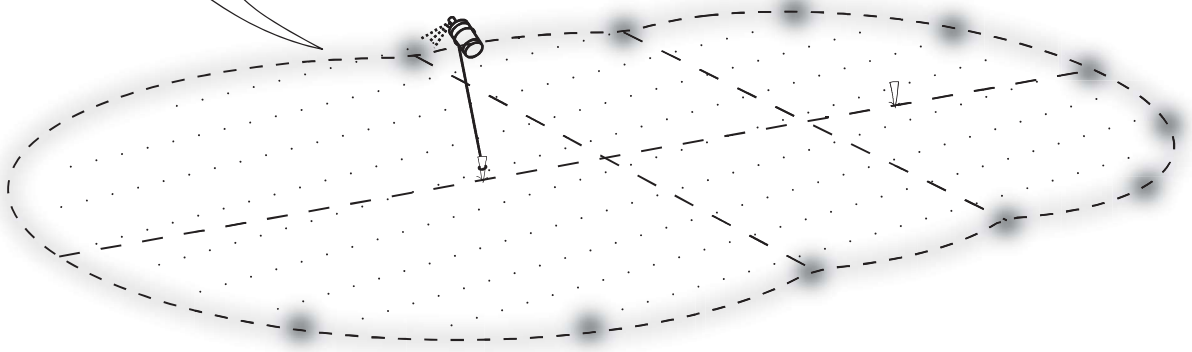
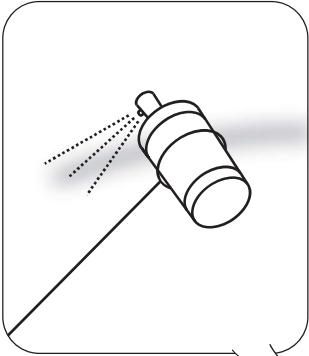
SIZE

POOL SIZE	Wall Length			Top Sheet Q'ty
	mm	ft	in.	
16' x 12'	13,855	45	5 4/8	12
20' x 12'	16,364	53	8 2/8	14
24' x 12'	18,873	61	11	16
25' x 15'	20,625	67	8	14
30' x 15'	23,756	77	11 2/8	16
33' x 18'	26,586	87	2 6/8	18
41' x 21'	32,549	106	9 4/8	22

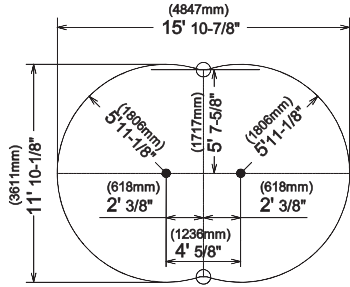
1



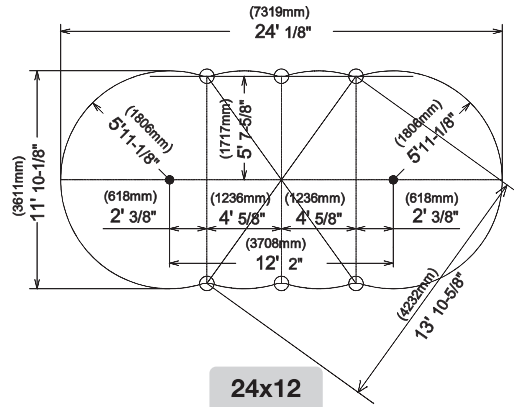
2



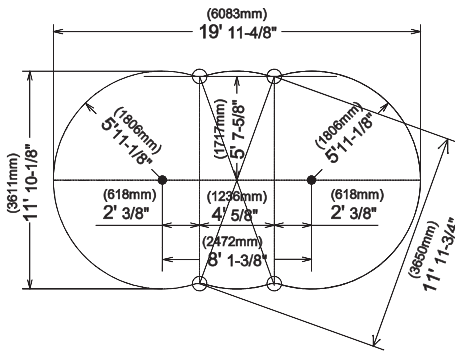
DRAWING



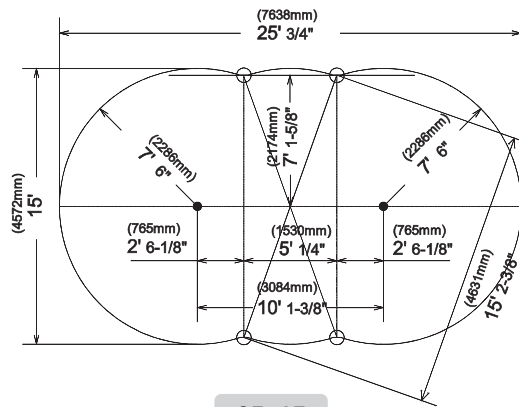
16x12



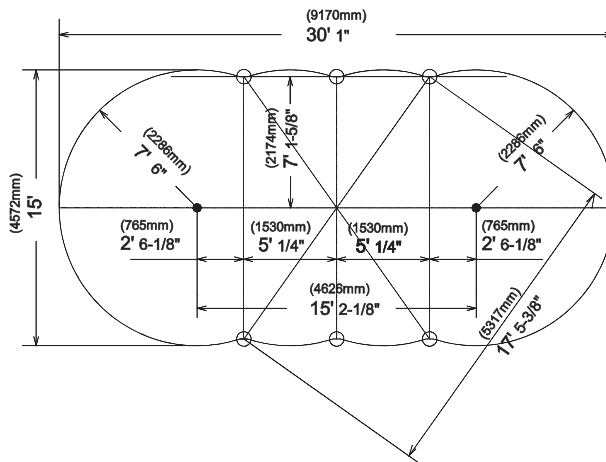
24x12



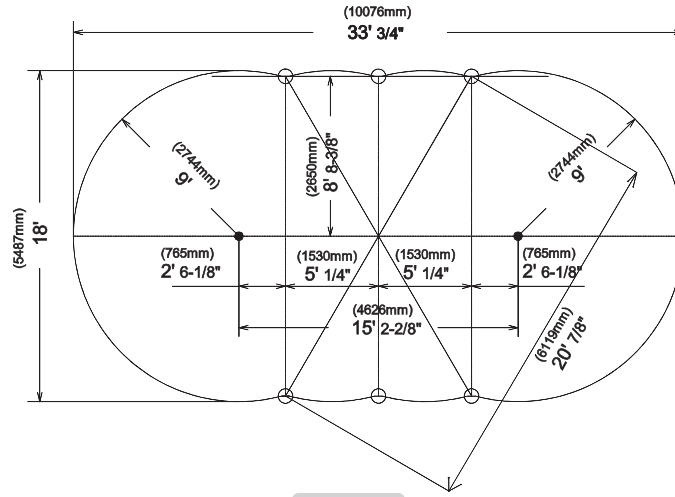
20x12



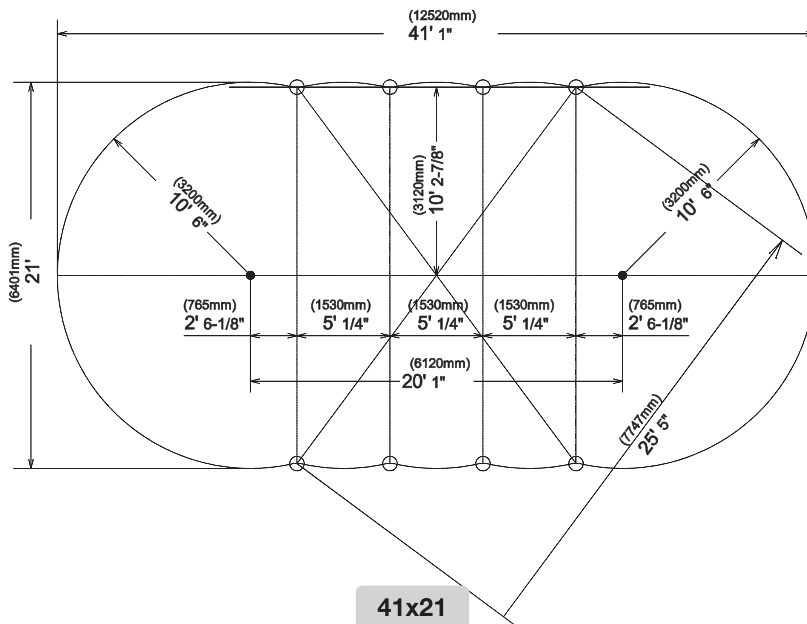
25x15



30x15

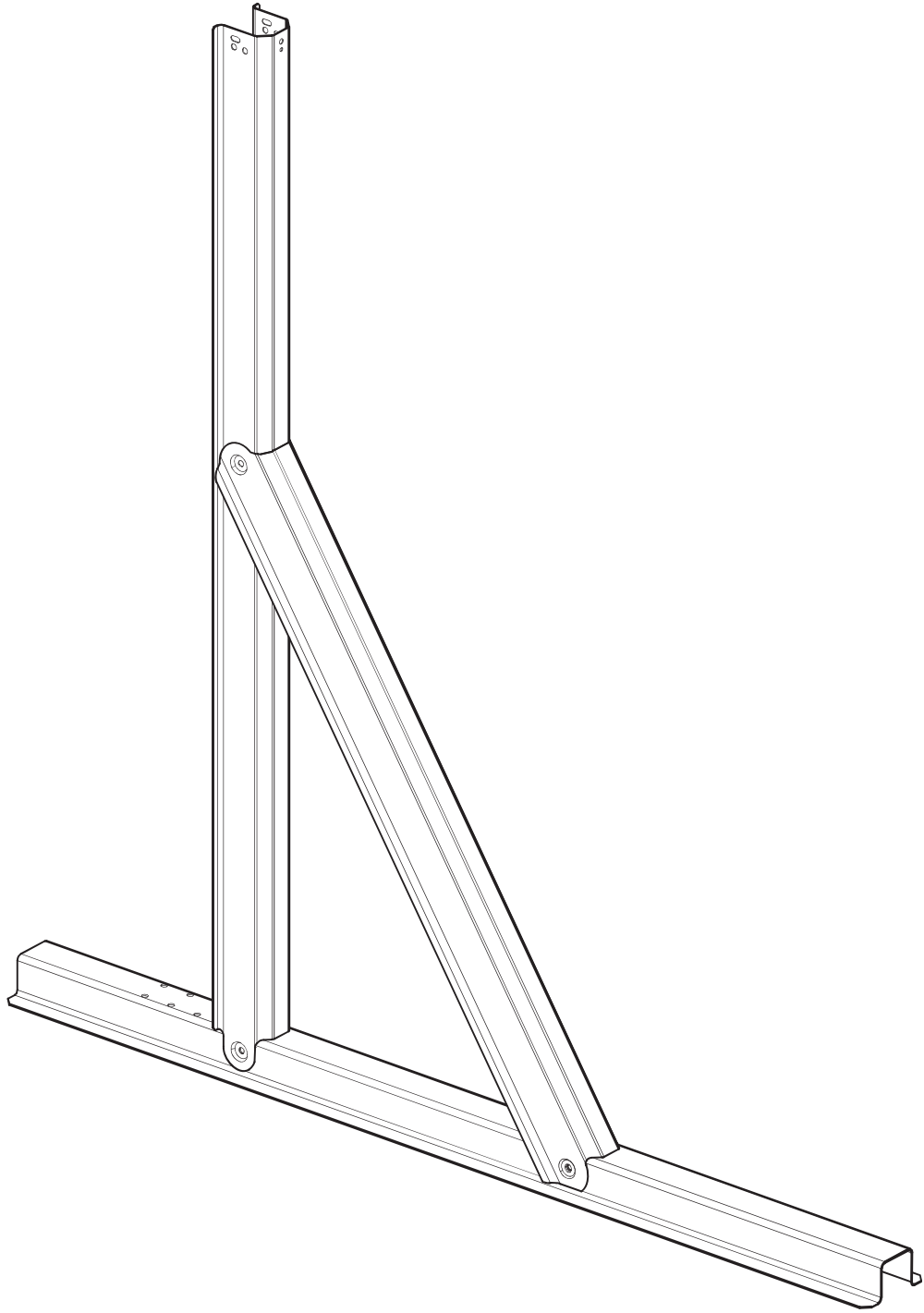


33x18

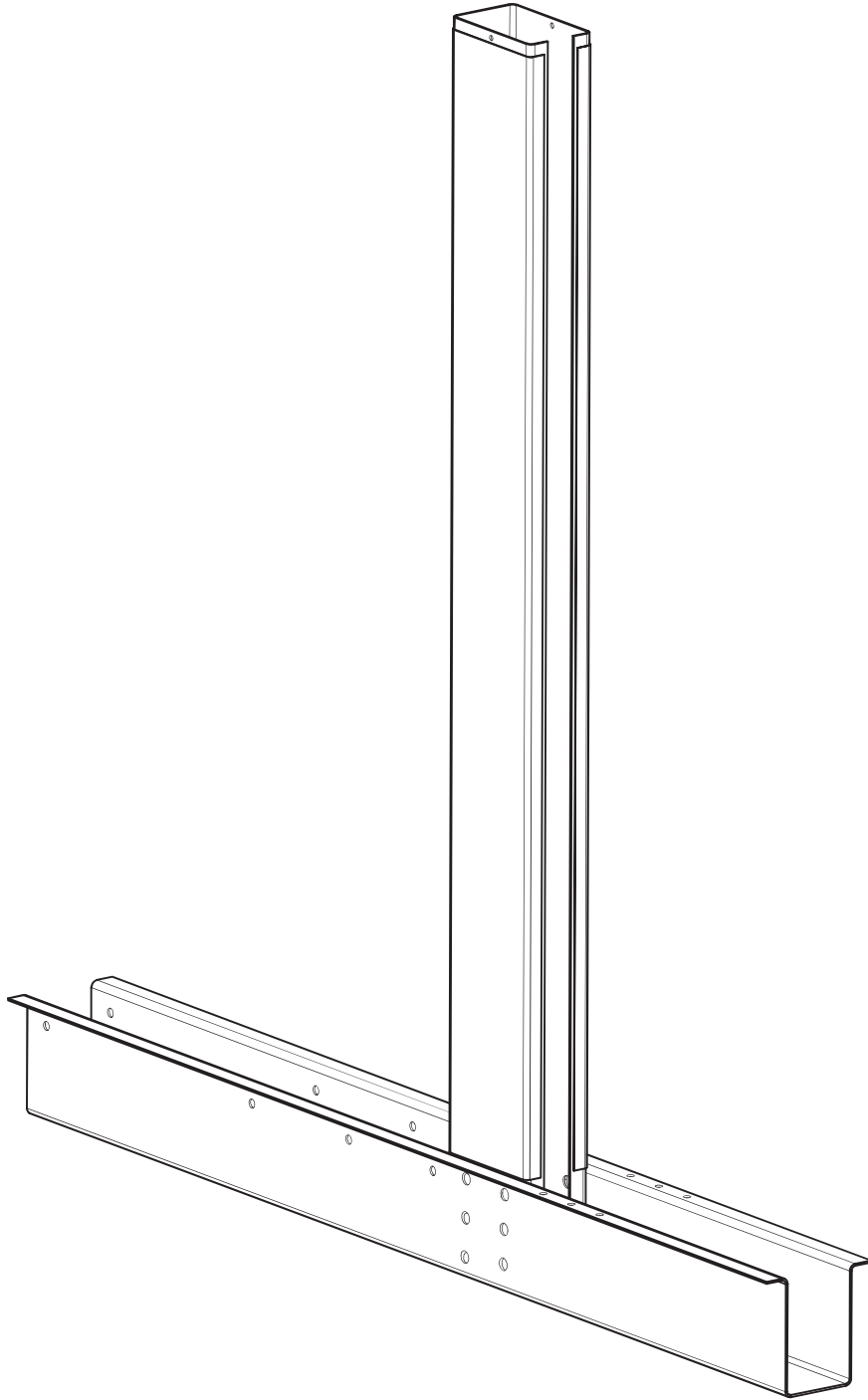


41x21

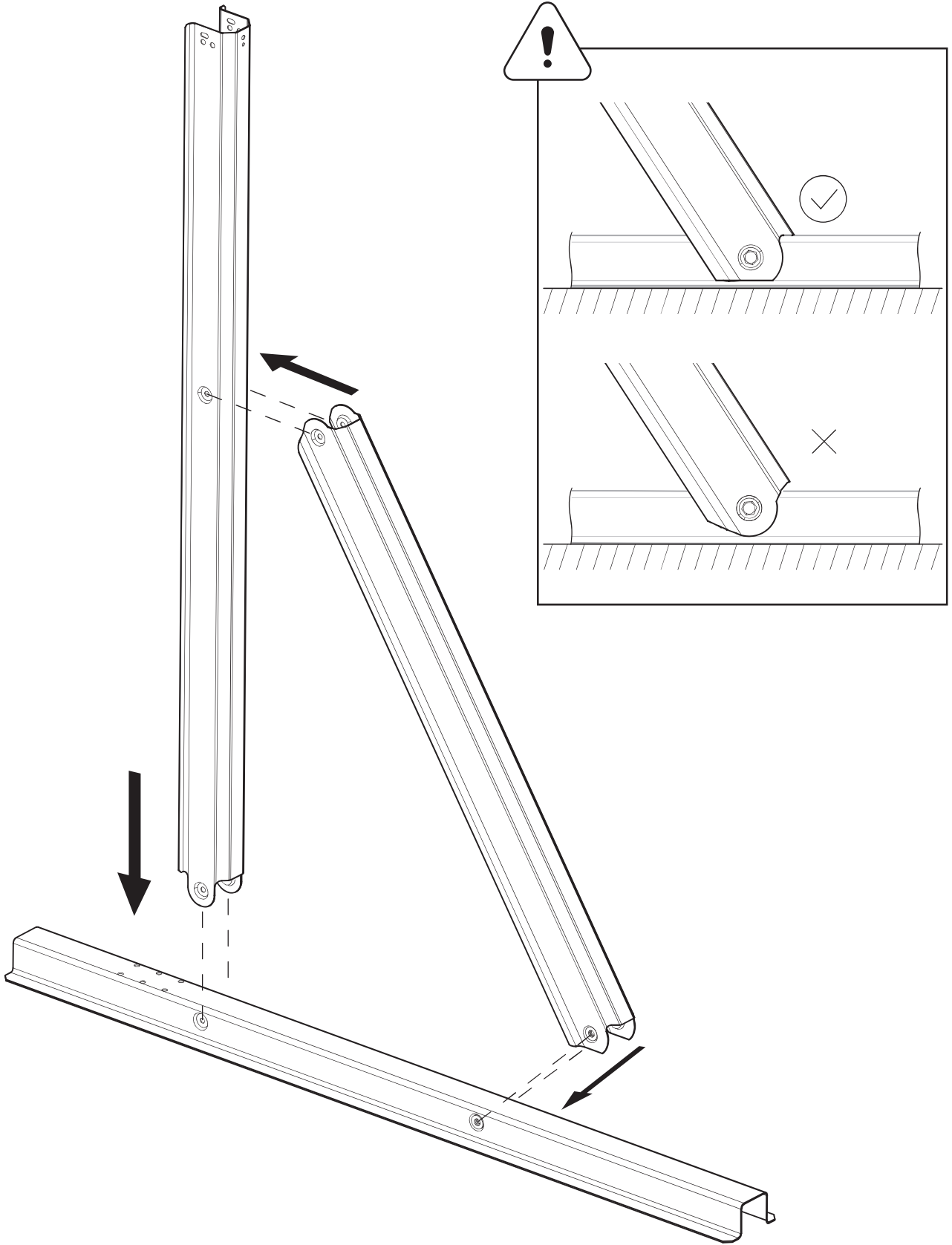
A → 3A~10A
P9 ~ P16



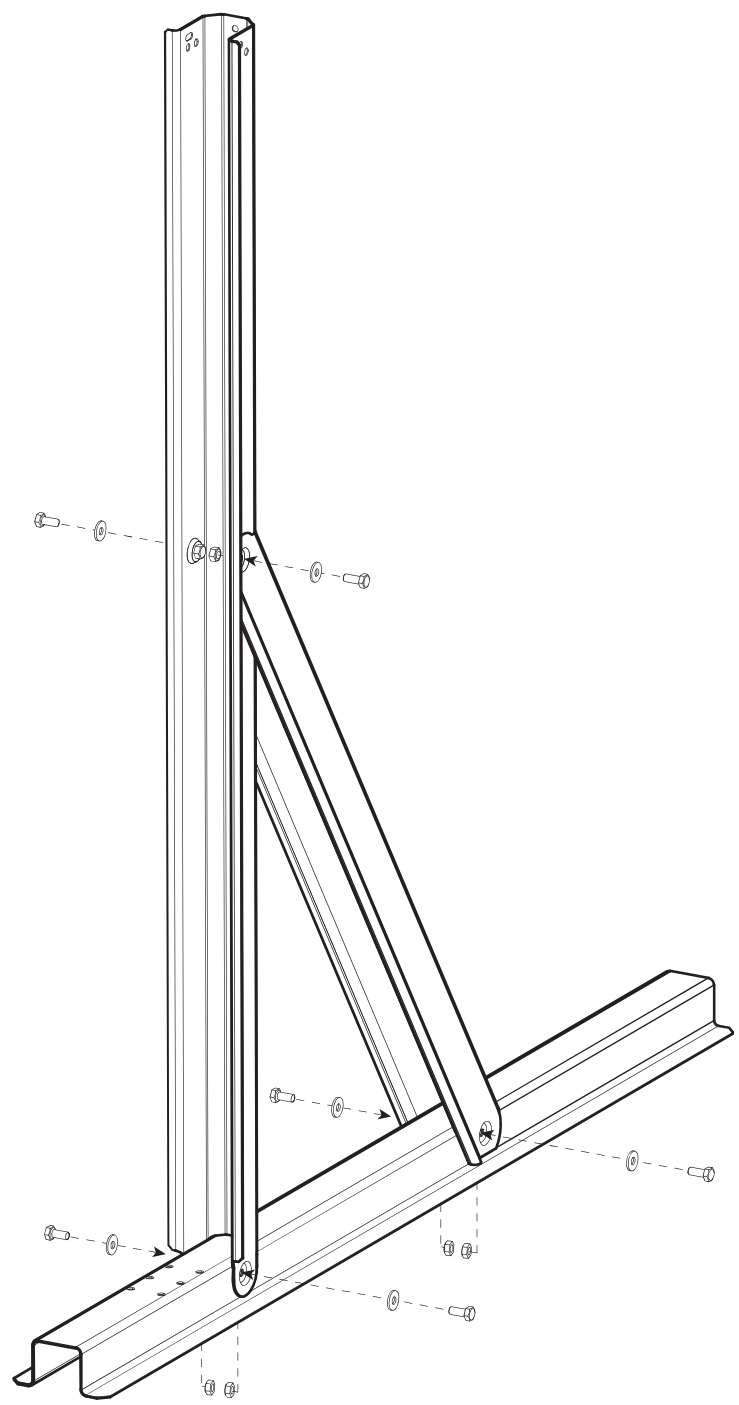
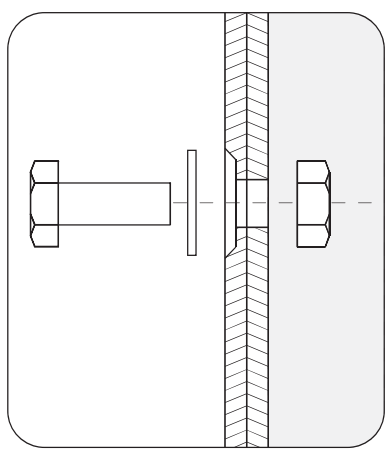
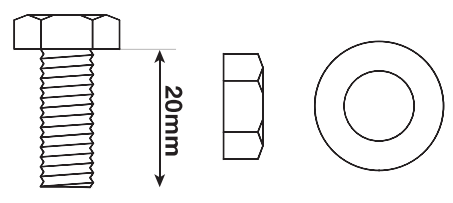
B → 3B~10B
P17 ~ P24



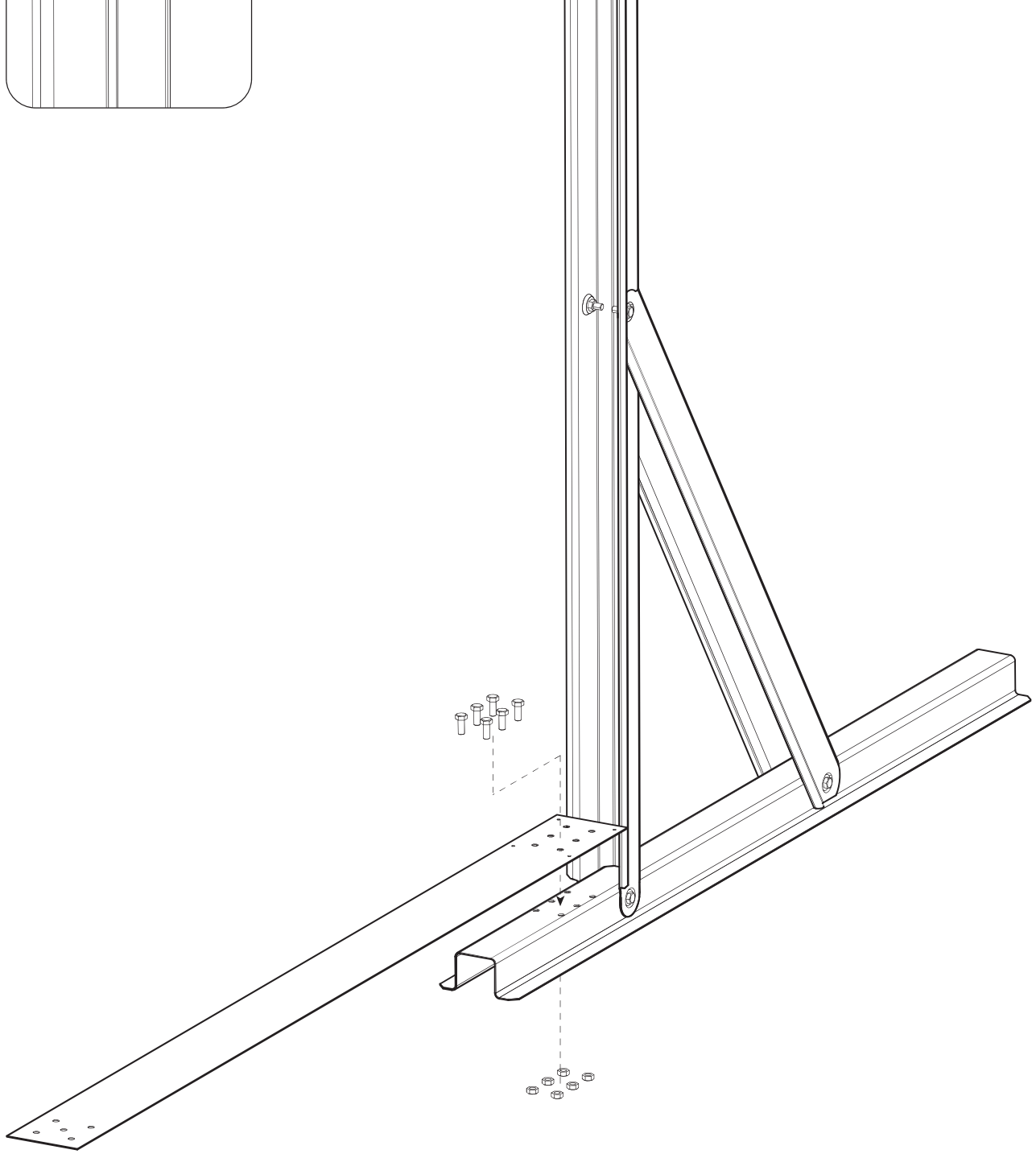
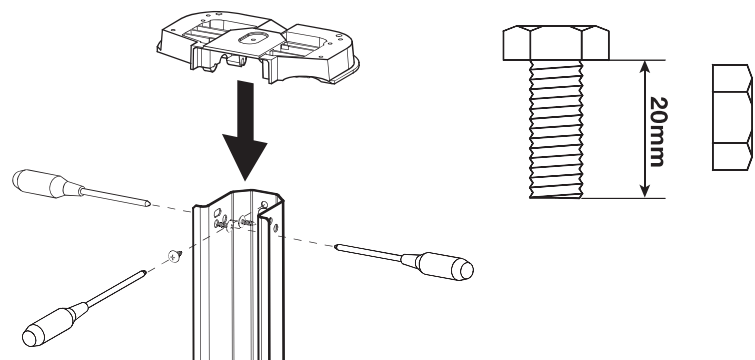
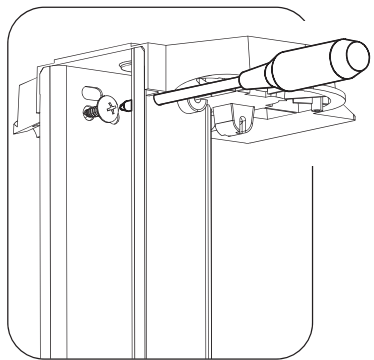
3A



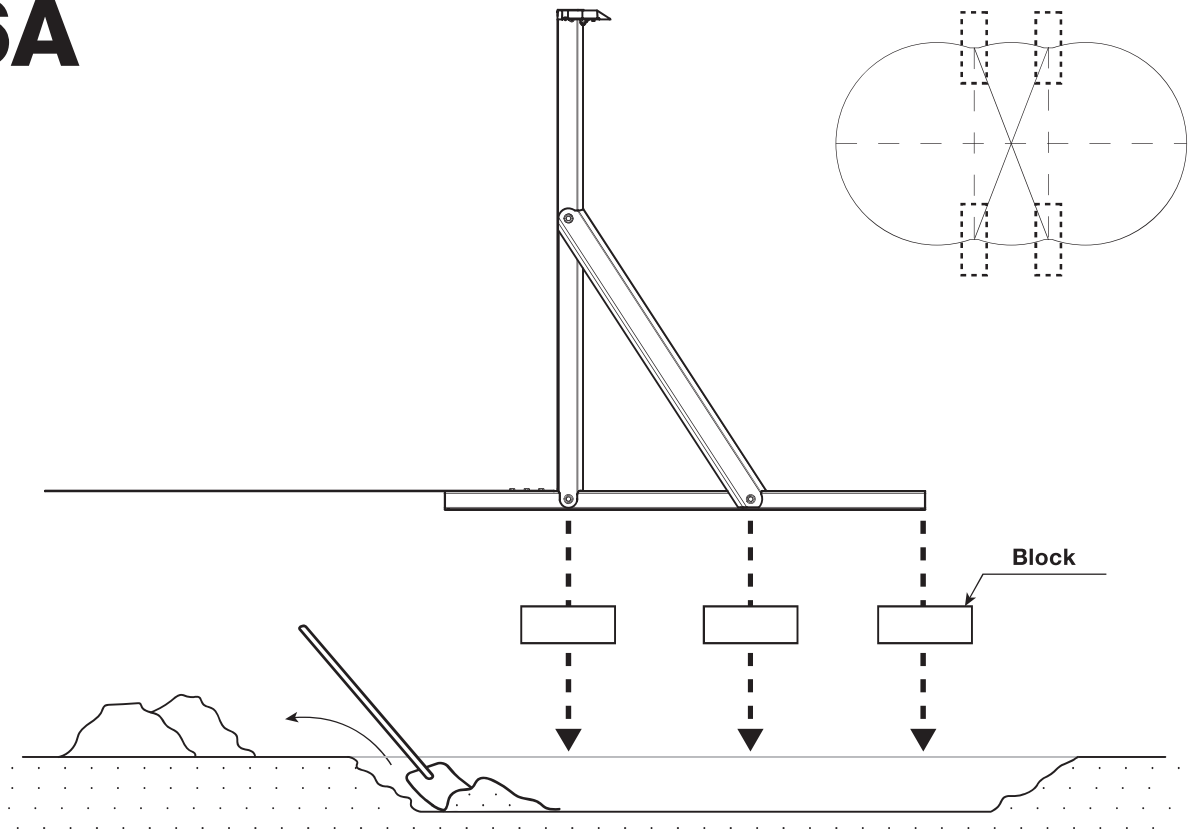
4A



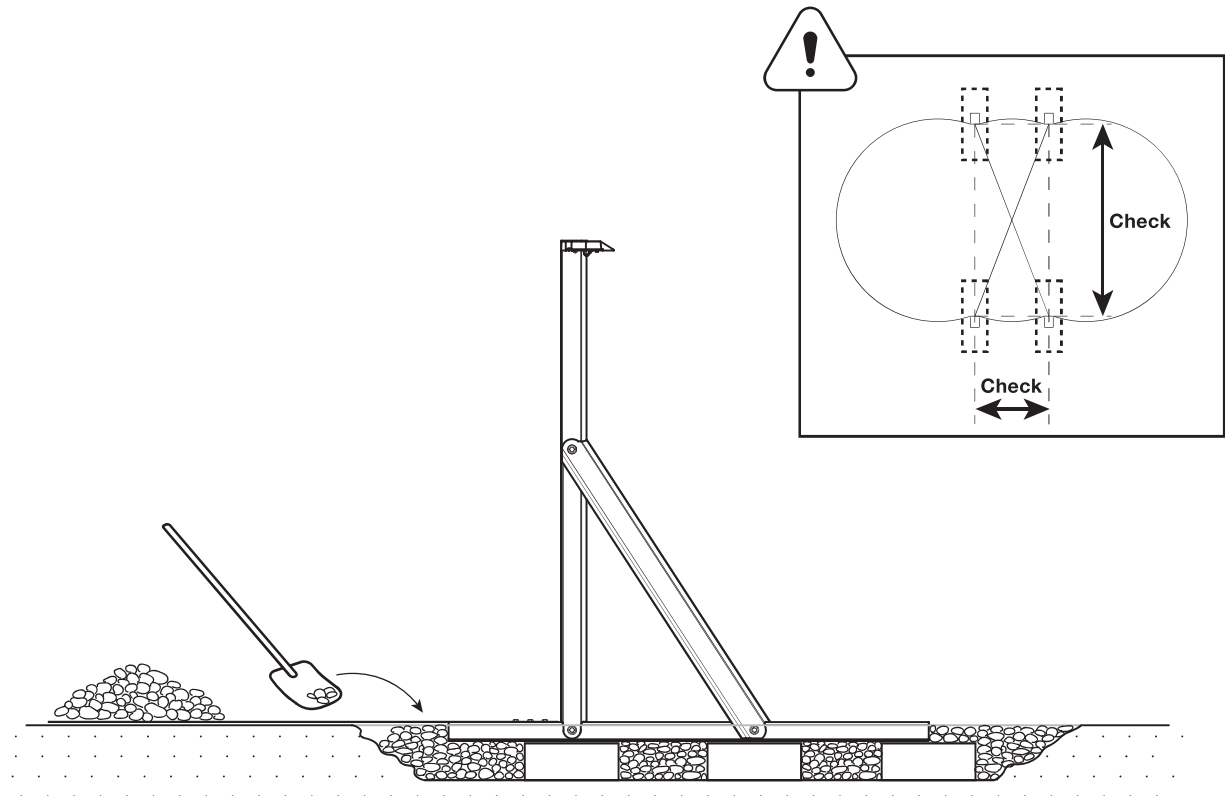
5A



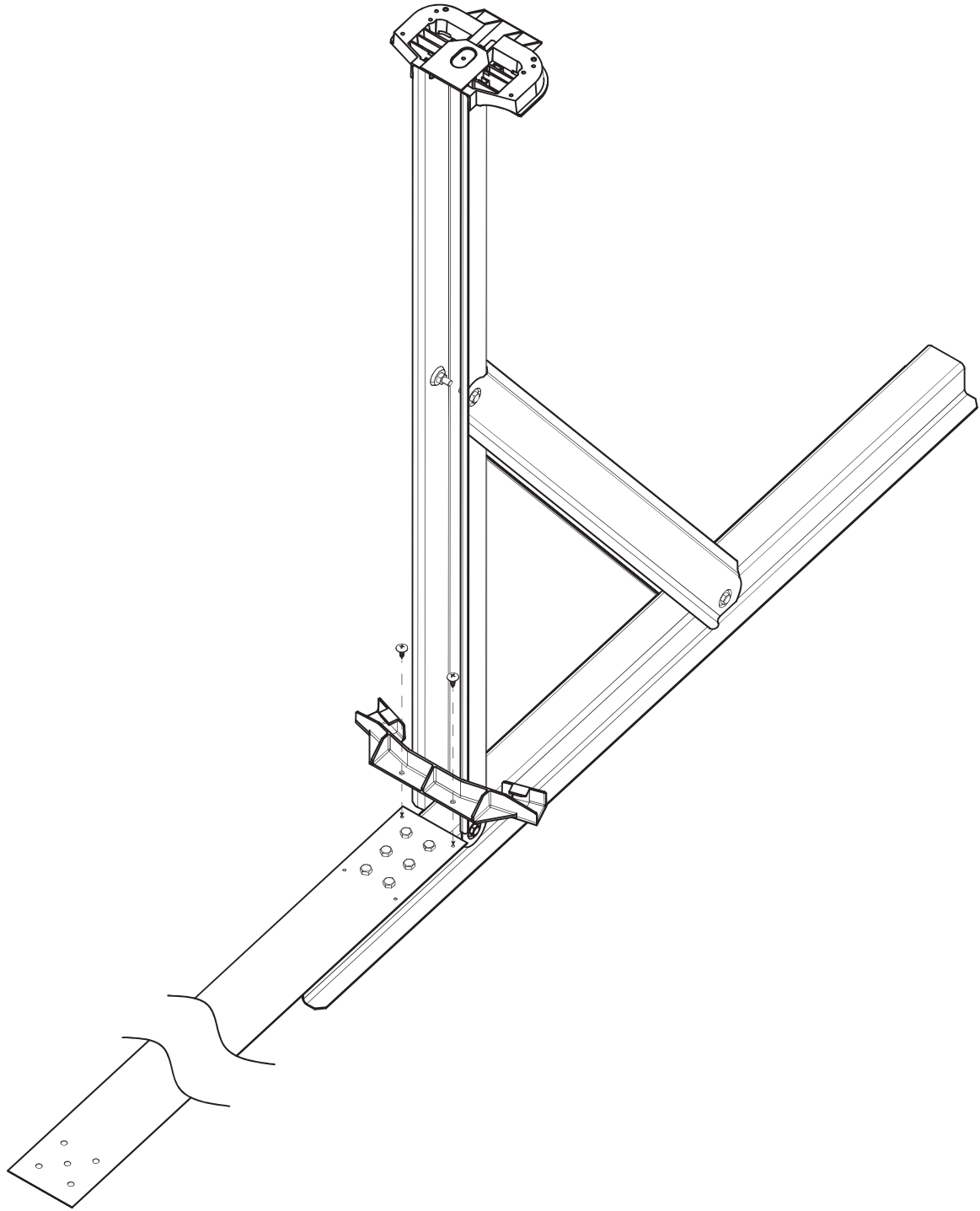
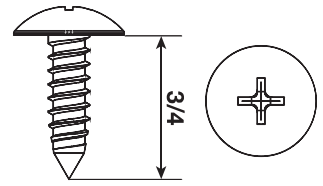
6A



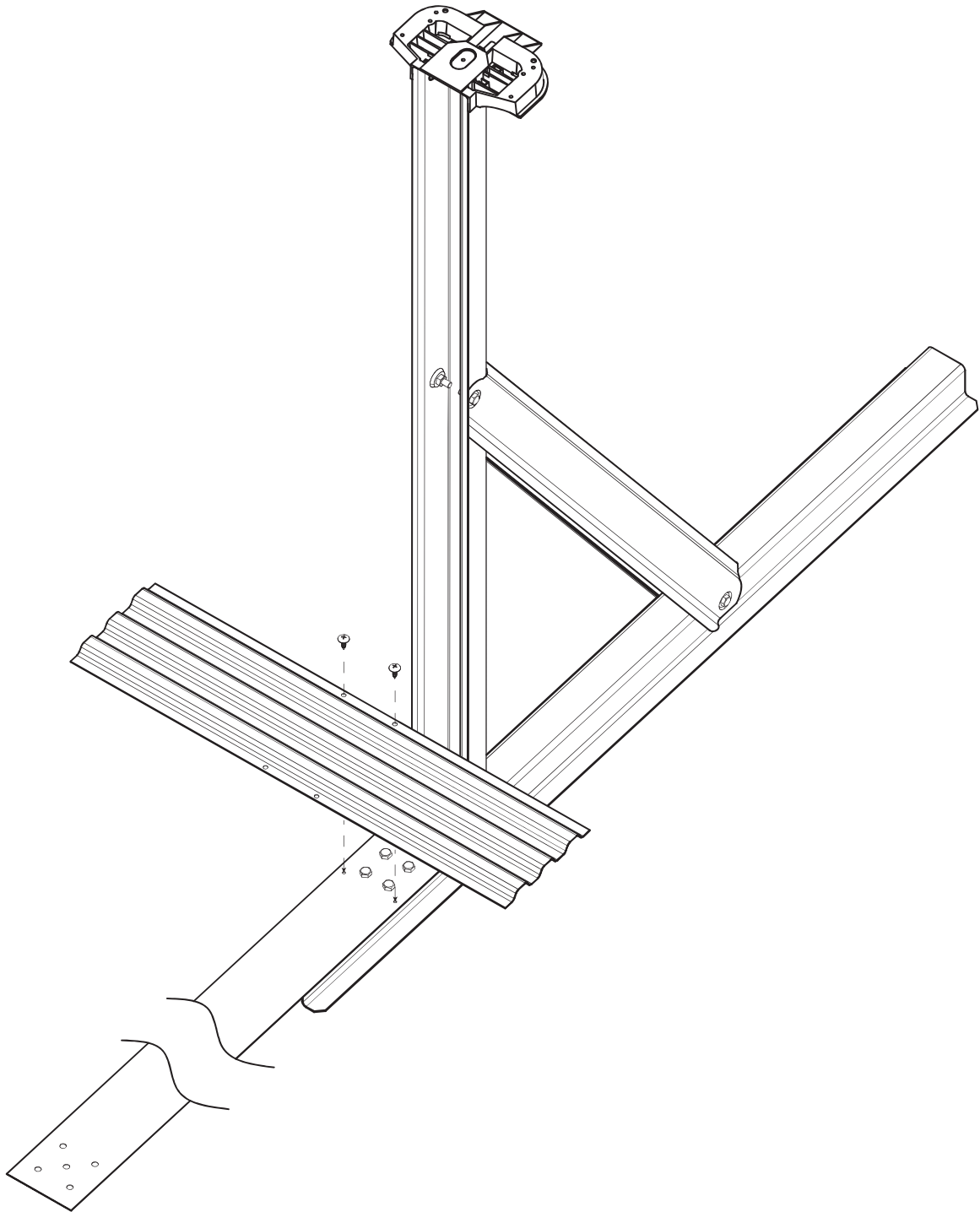
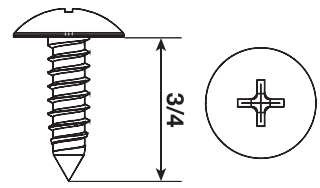
7A



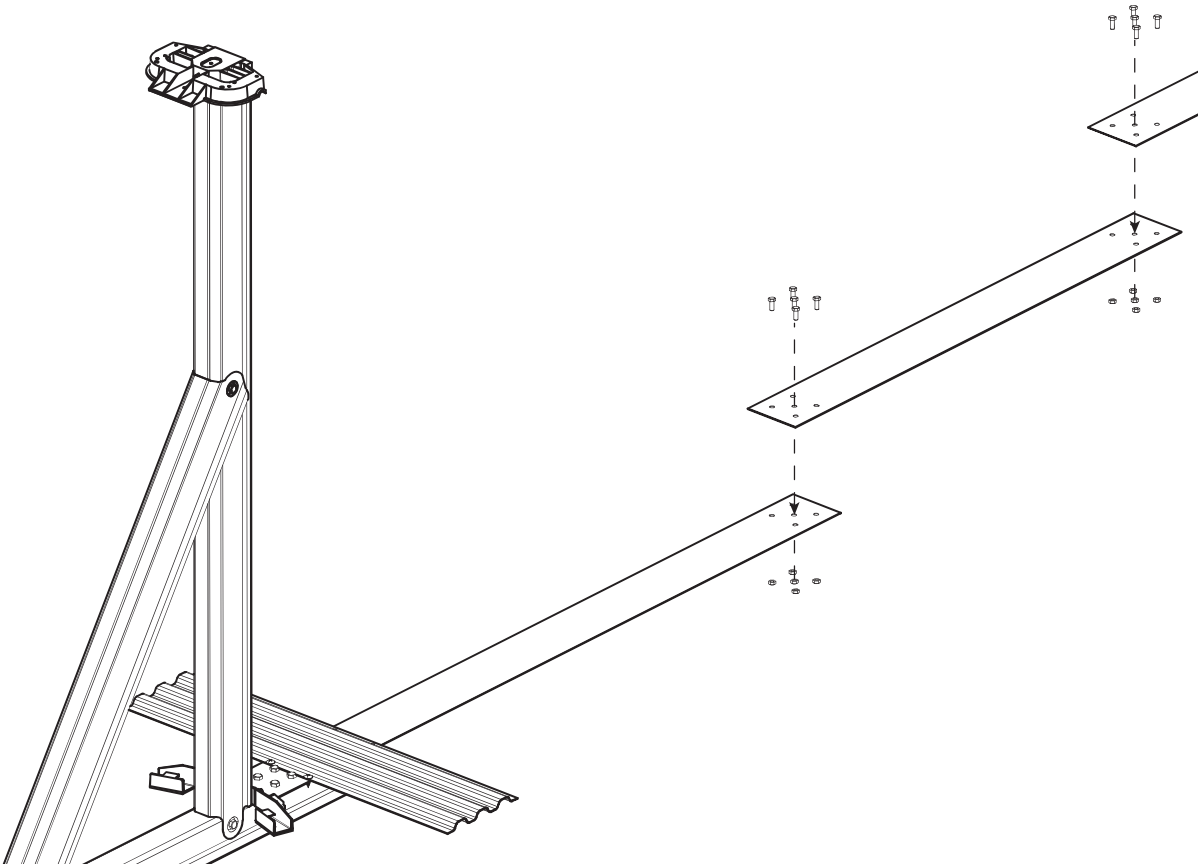
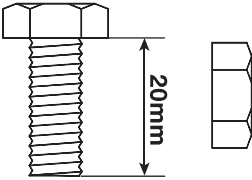
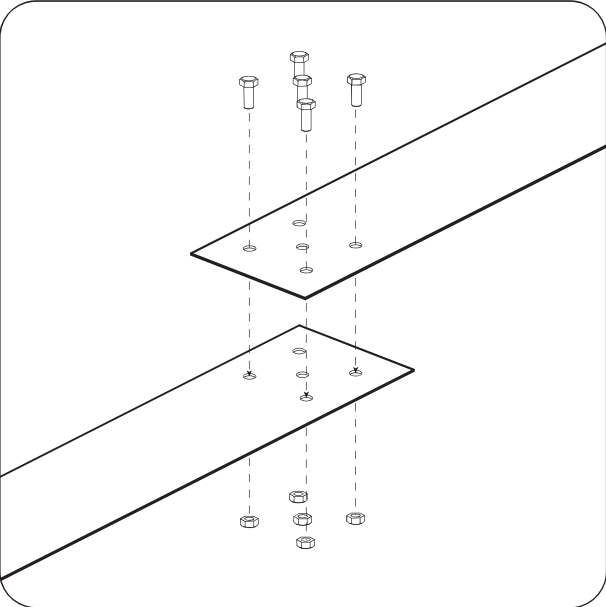
8A

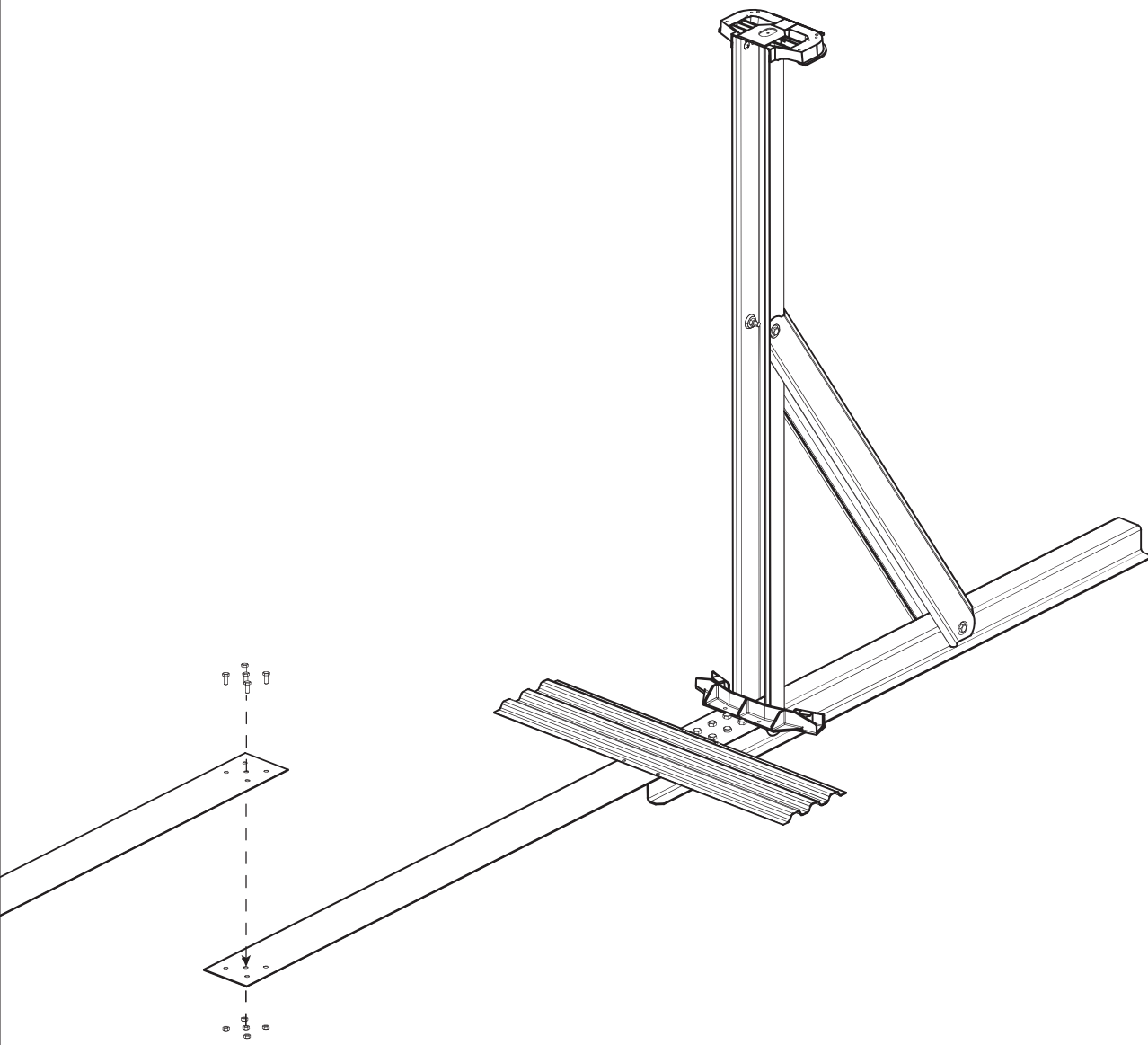


9A



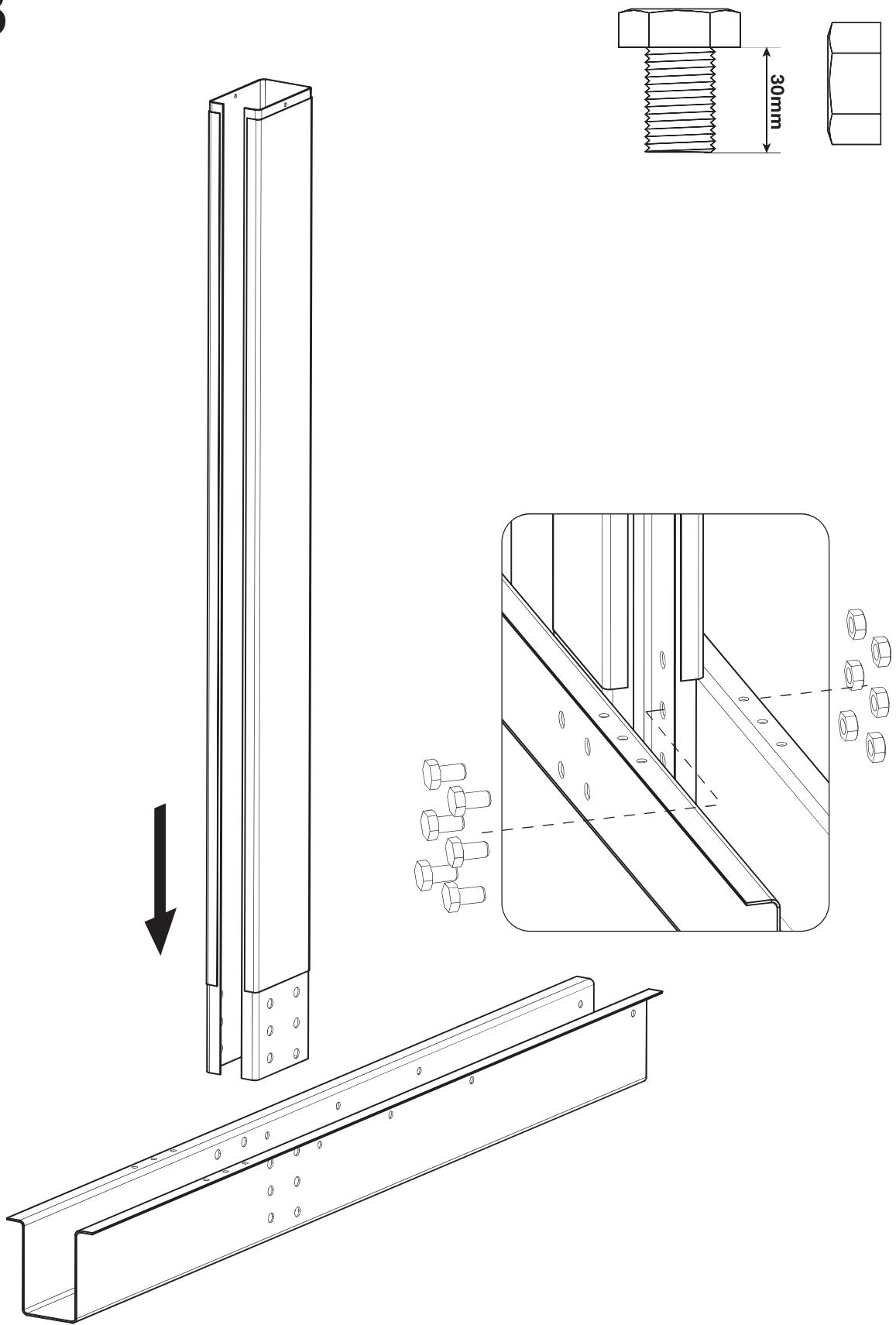
10A



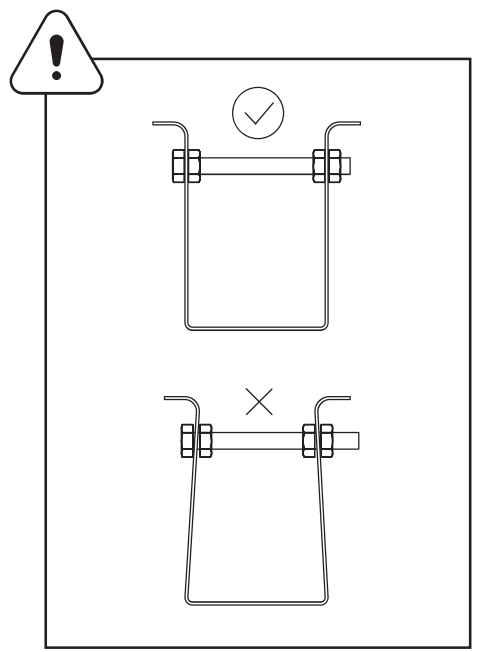
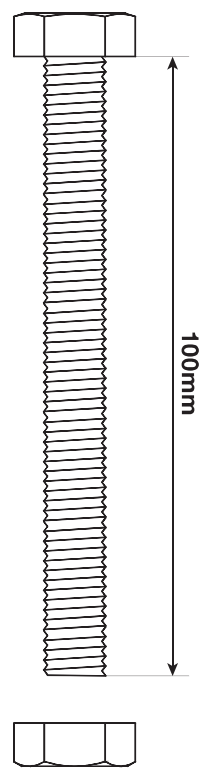
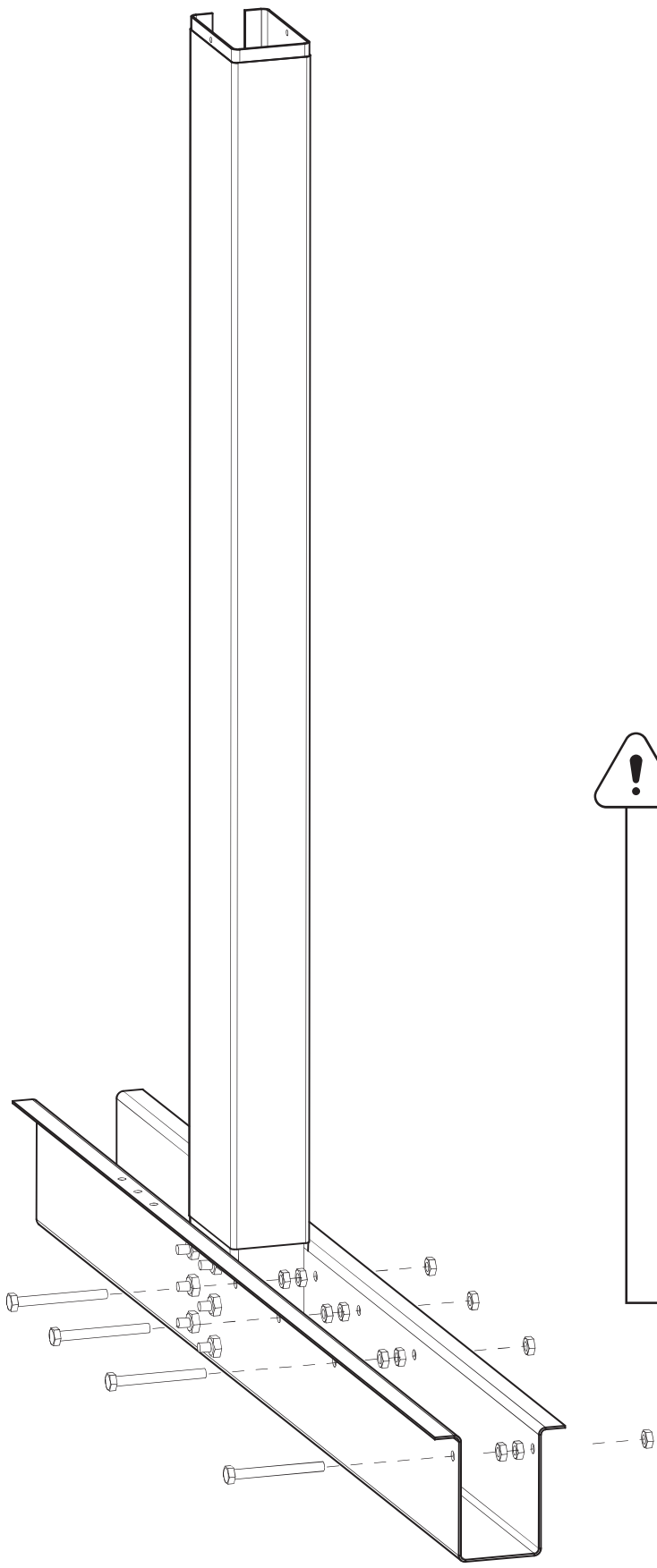


→ 11
P25

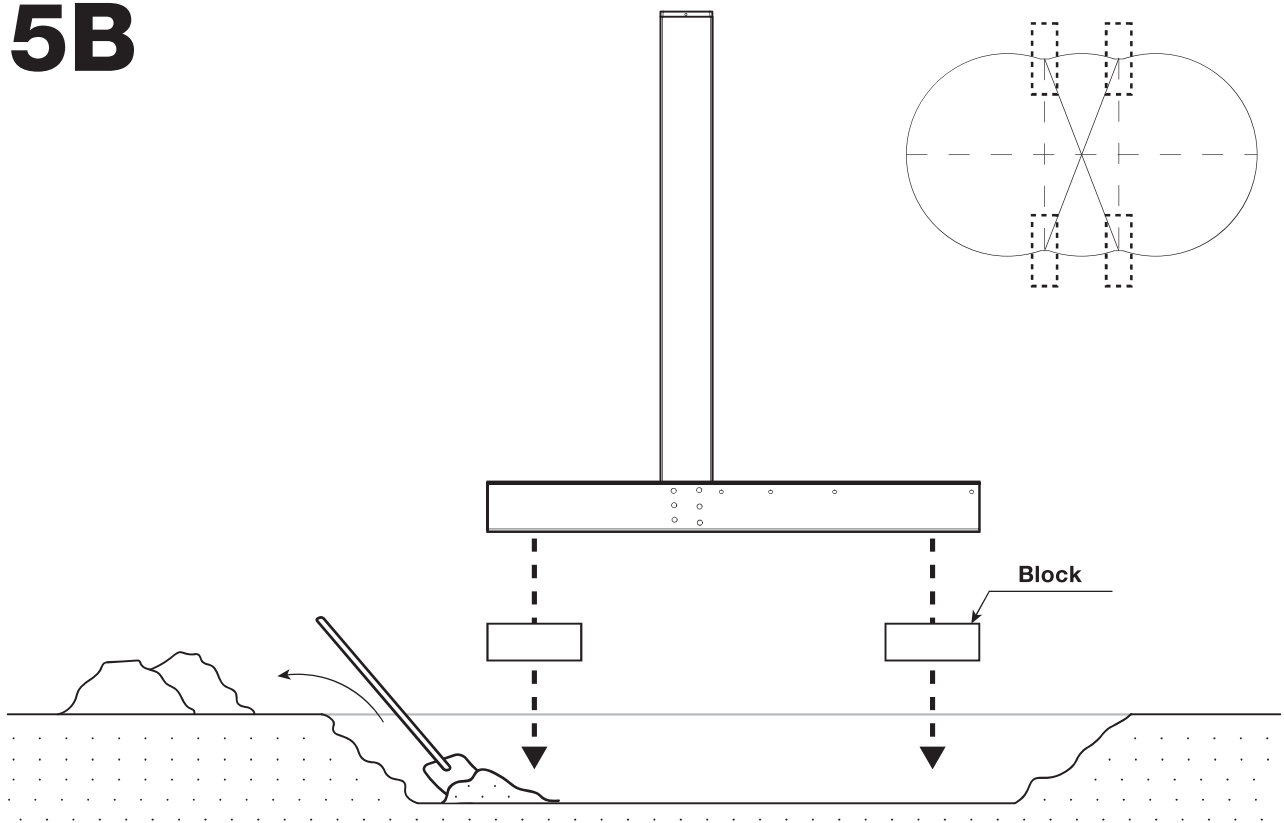
3B



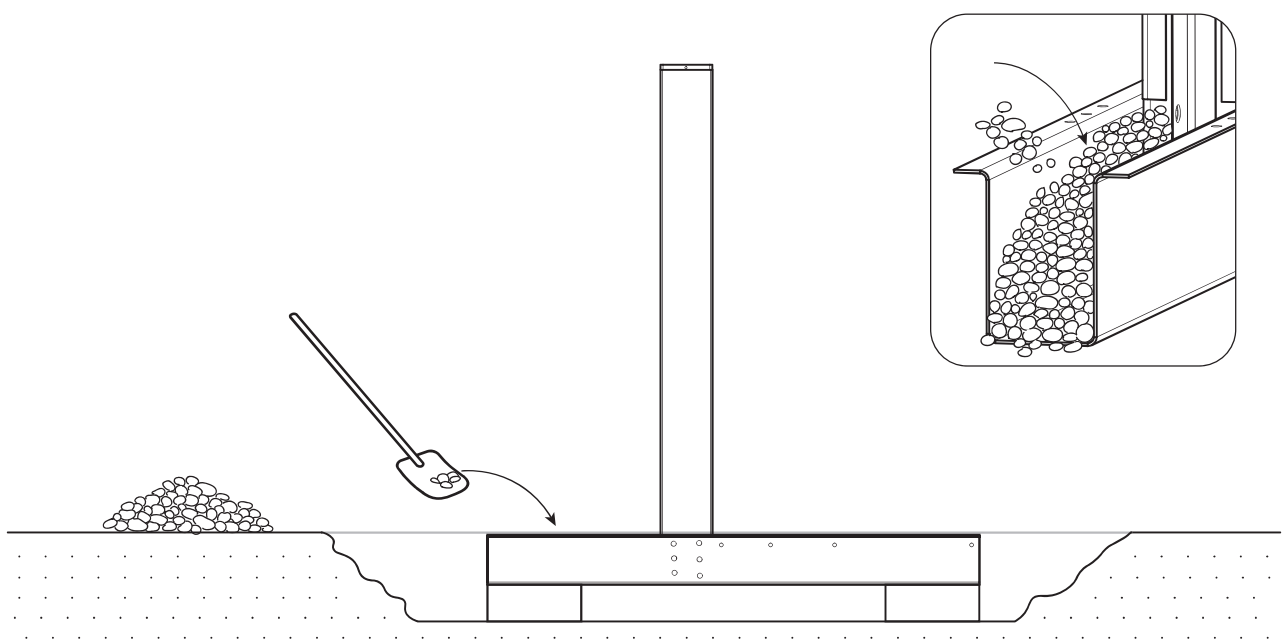
4B



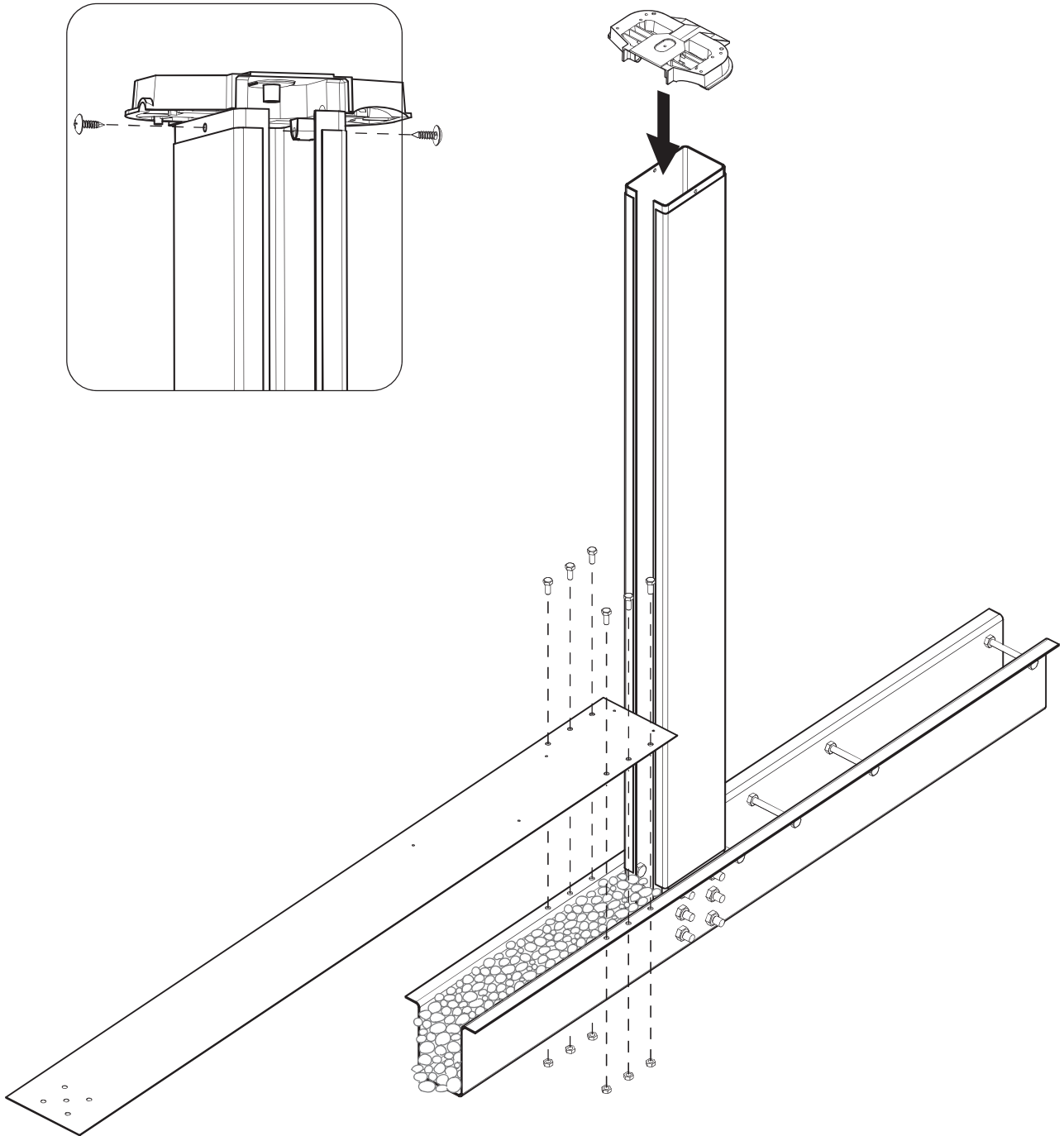
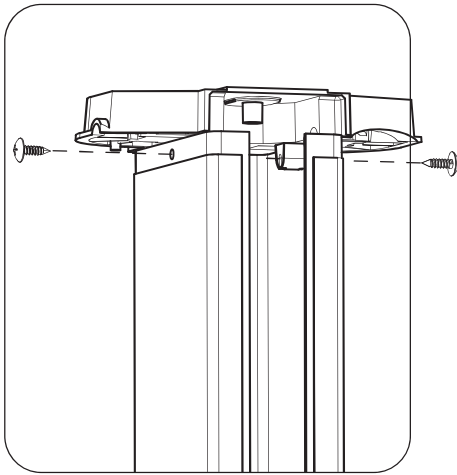
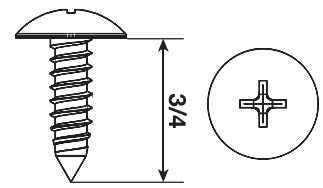
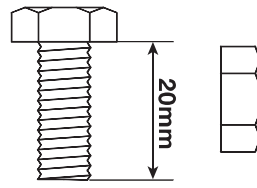
5B



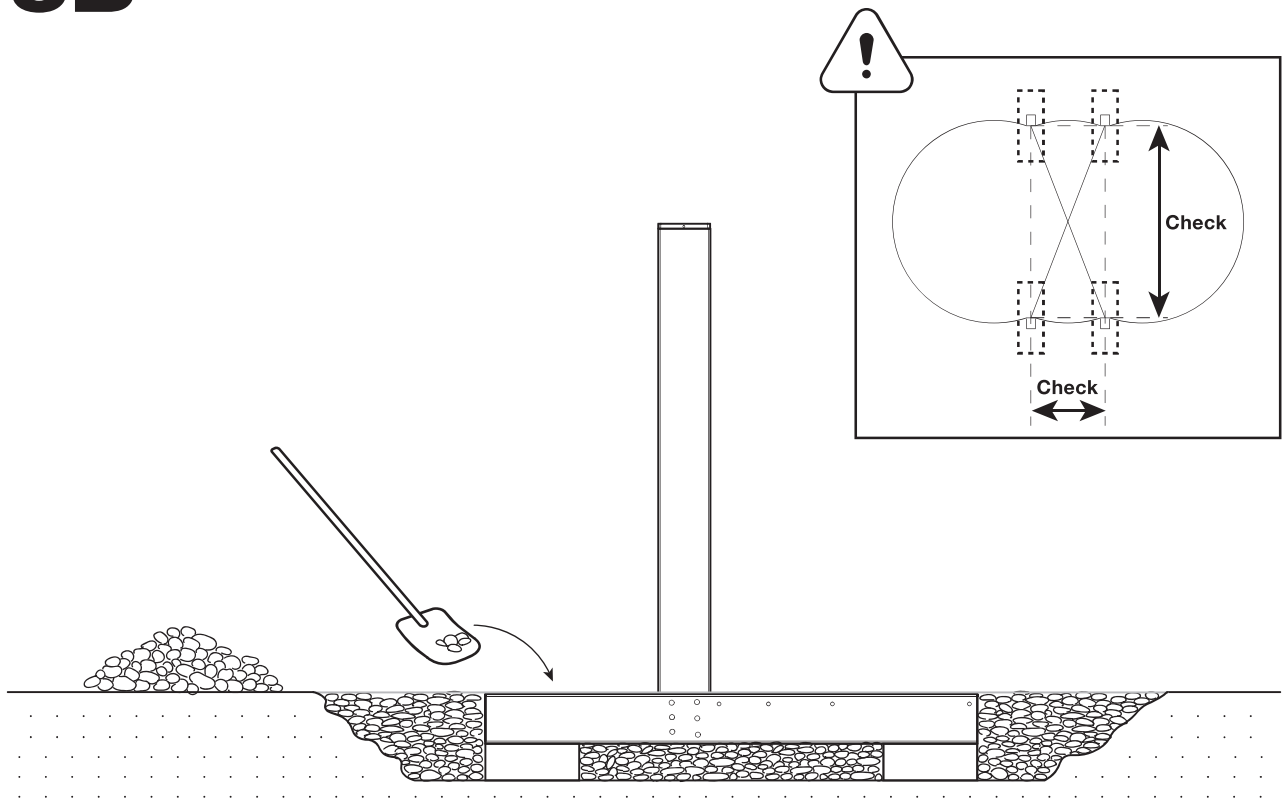
6B



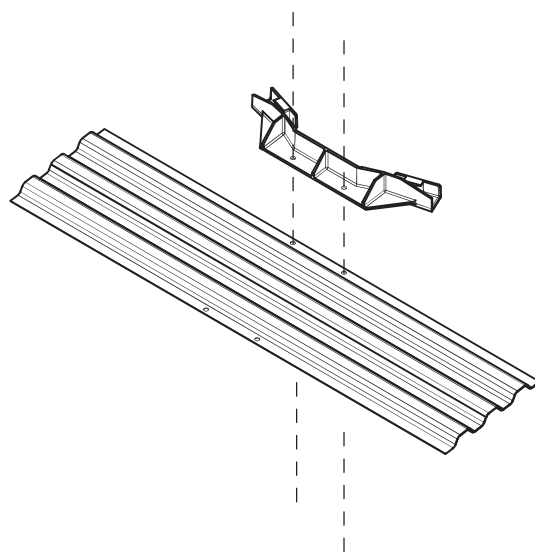
7B

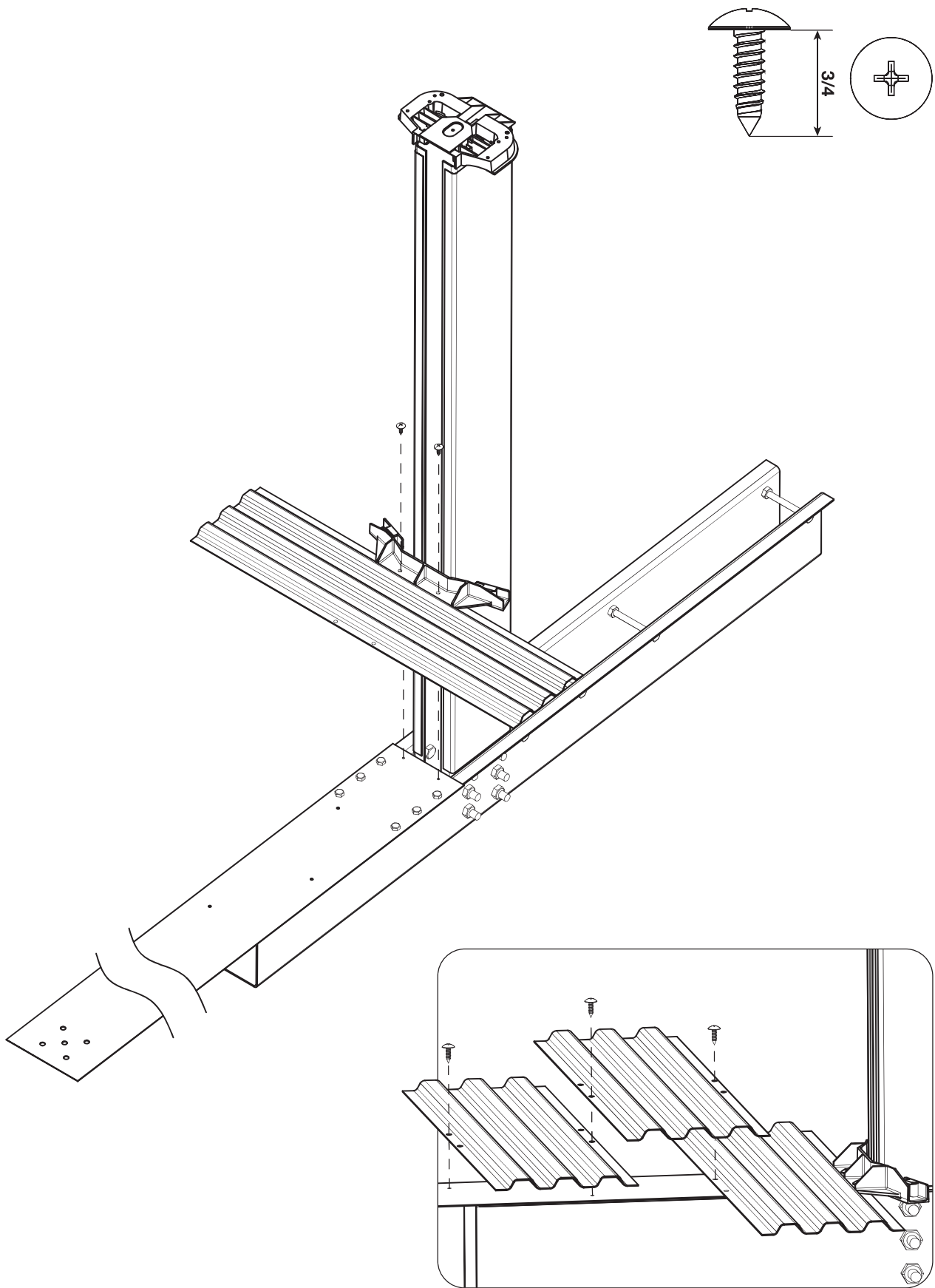


8B

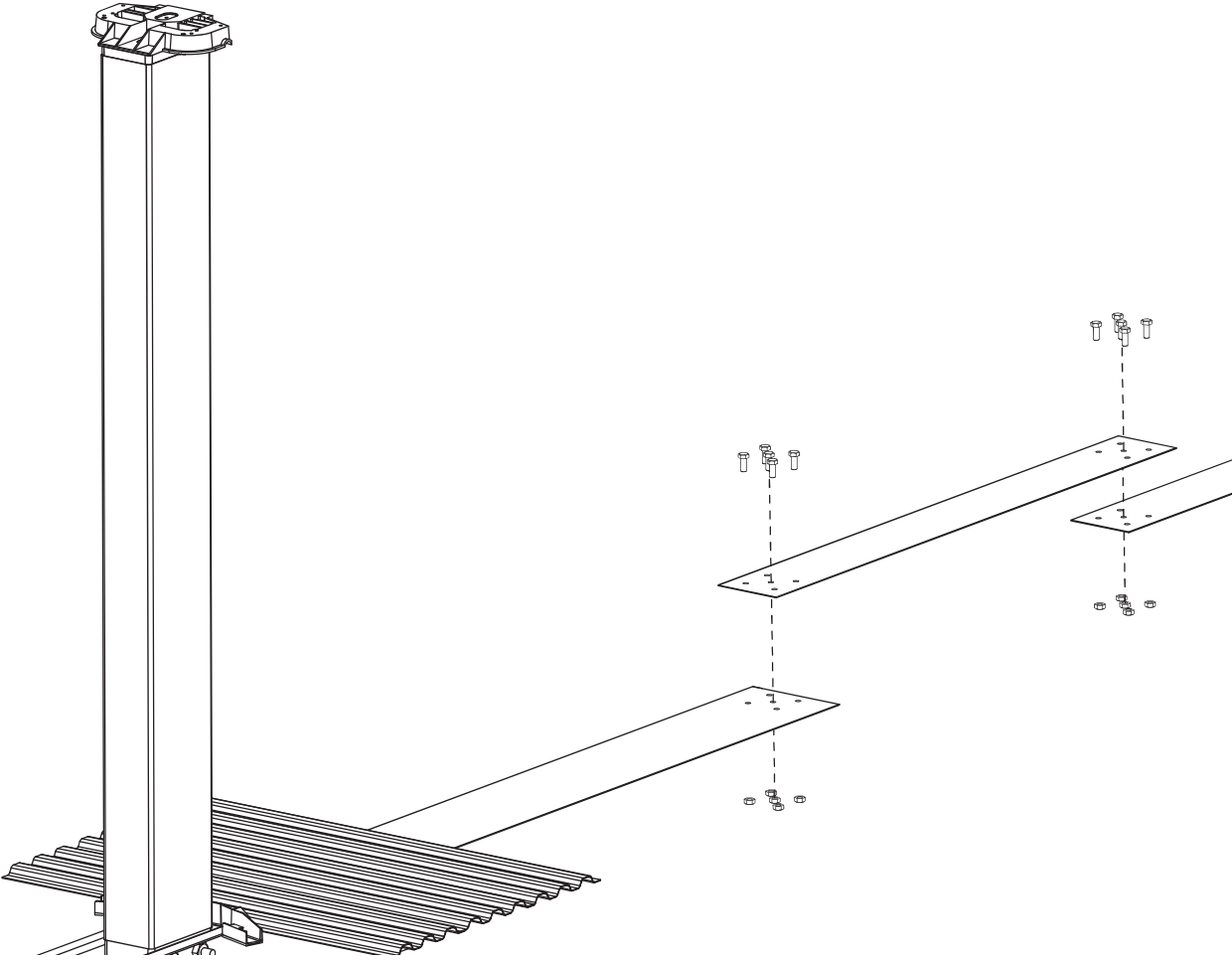
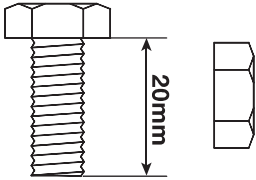
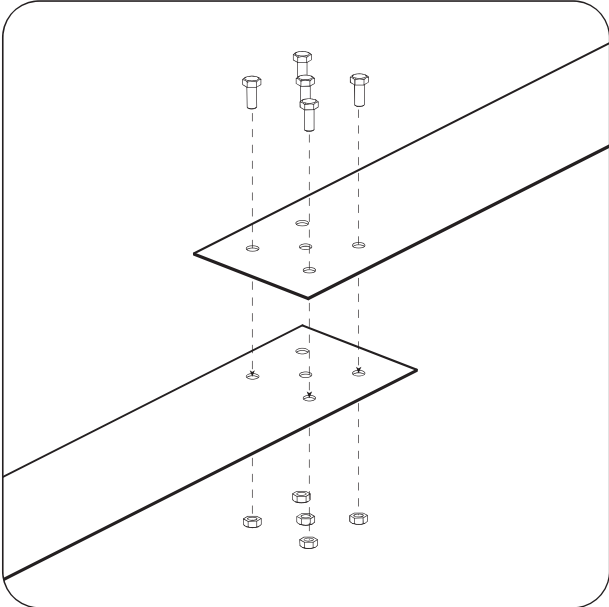


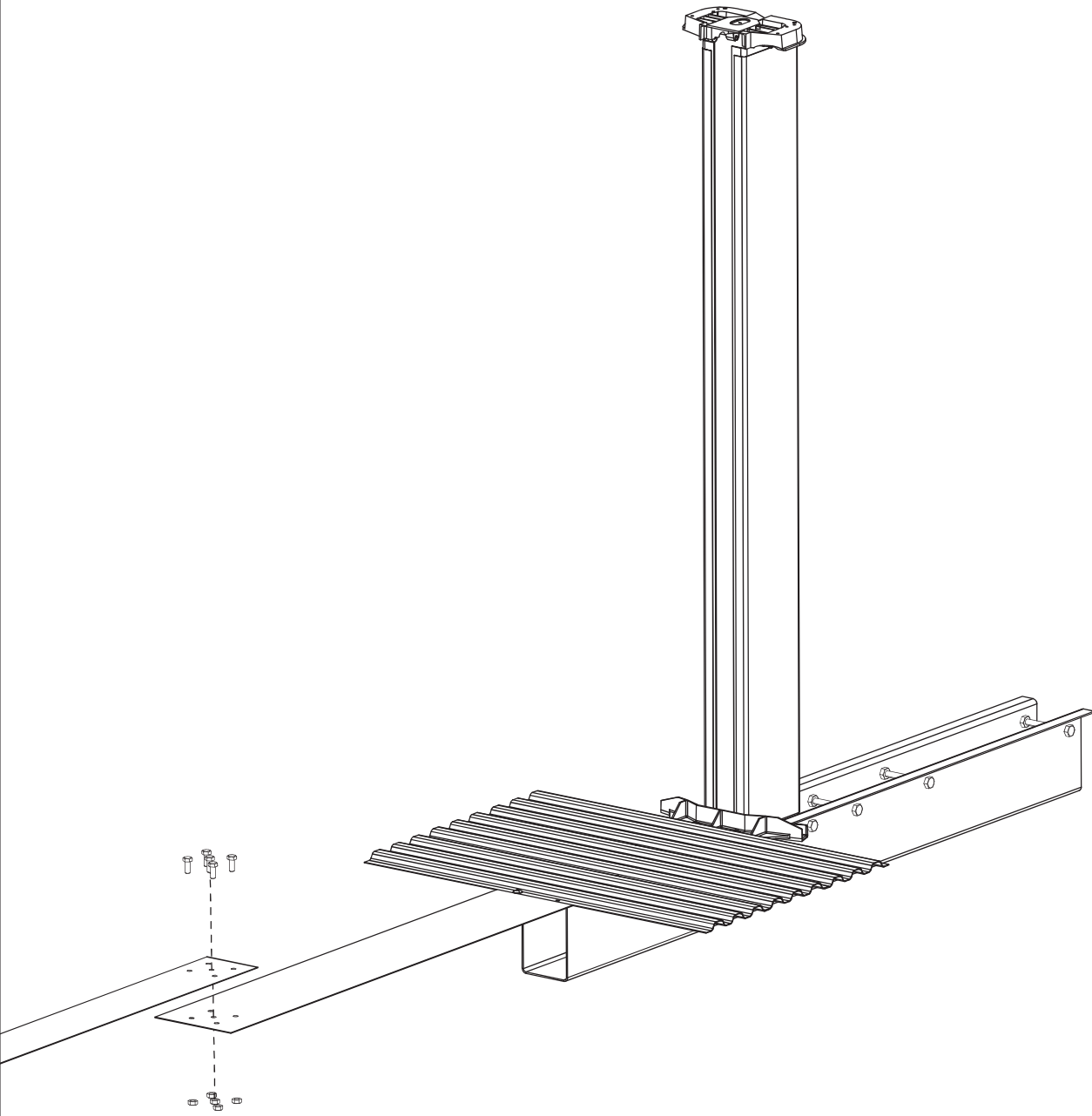
9B



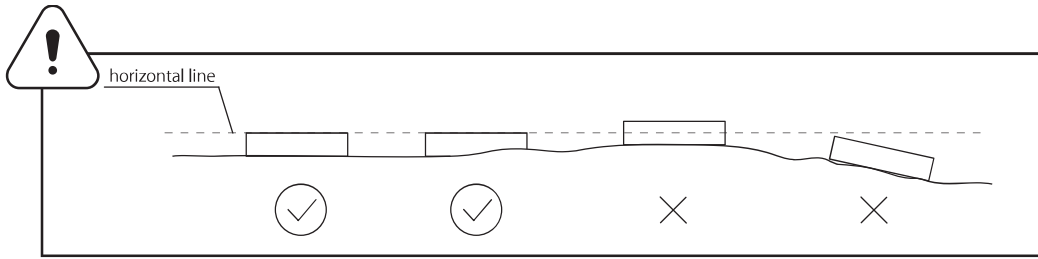
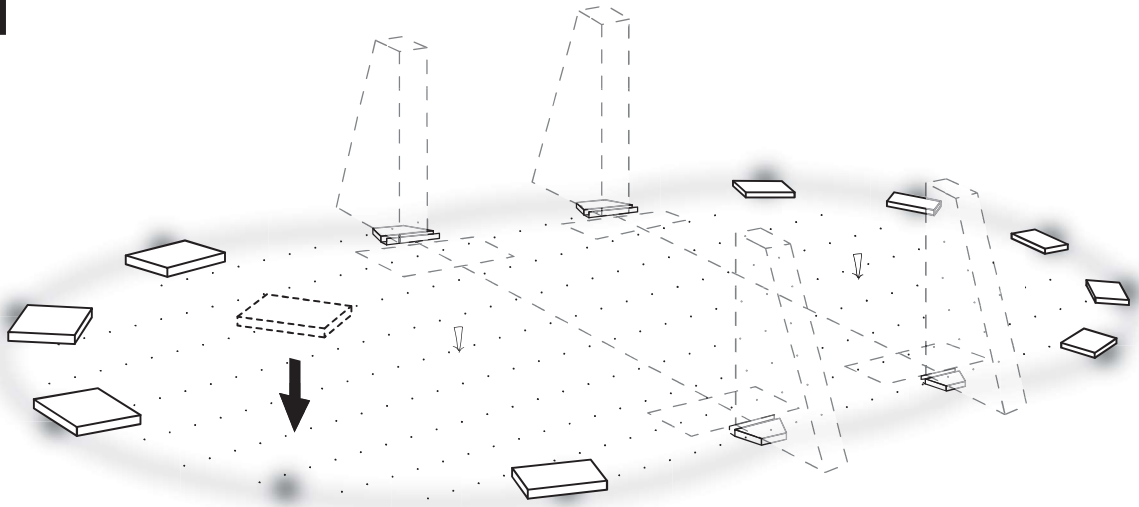


10B

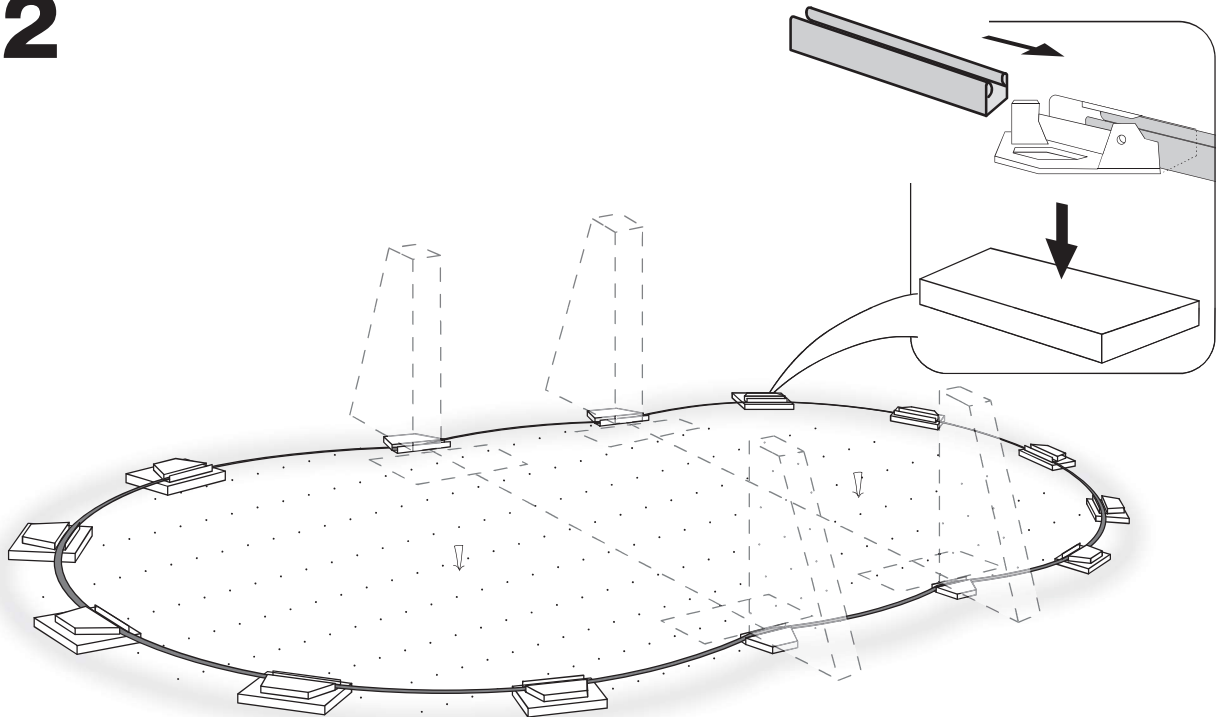




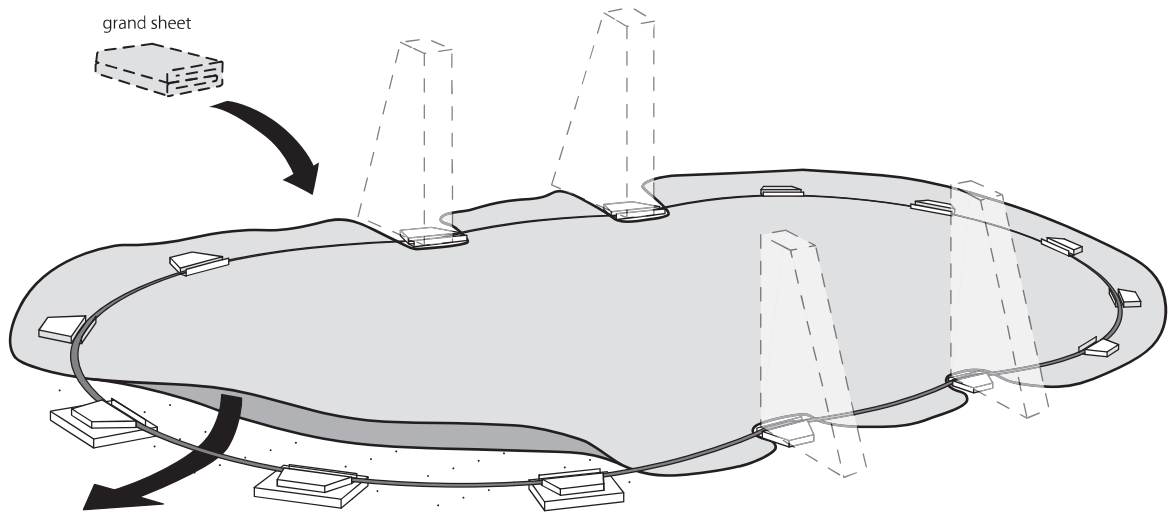
11



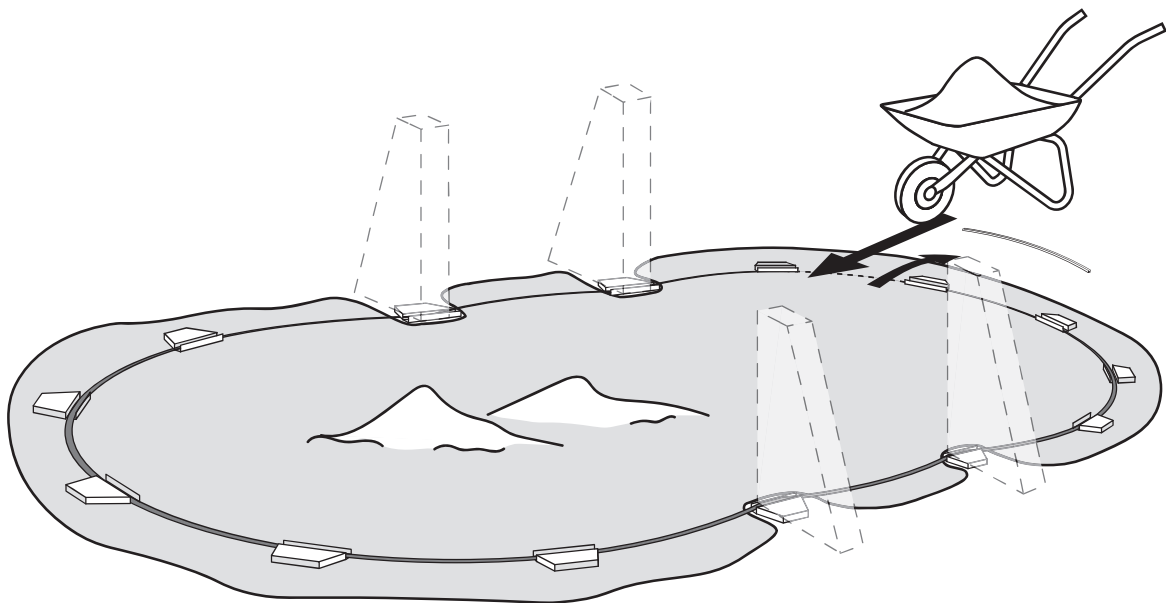
12



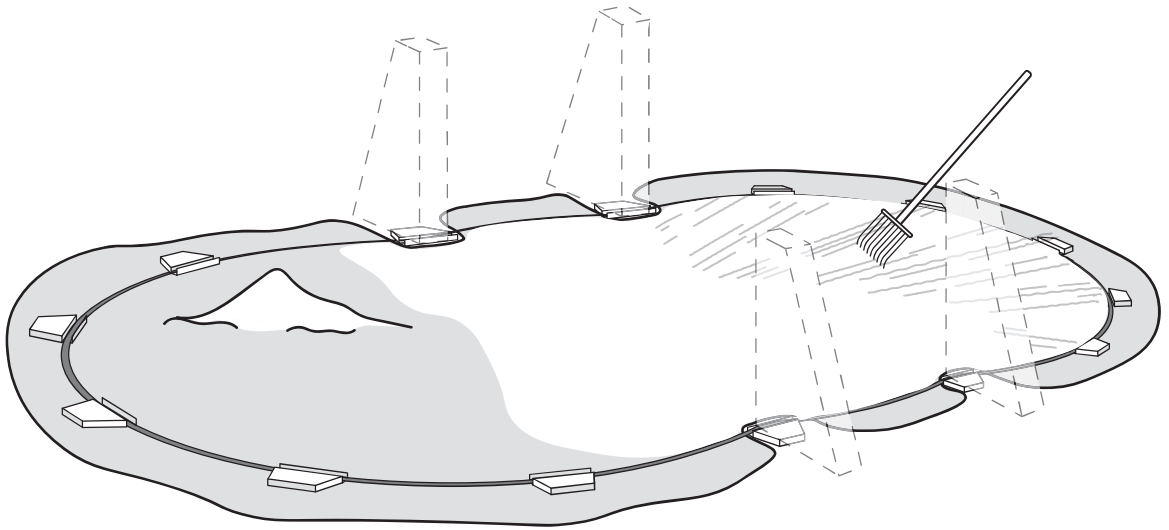
13



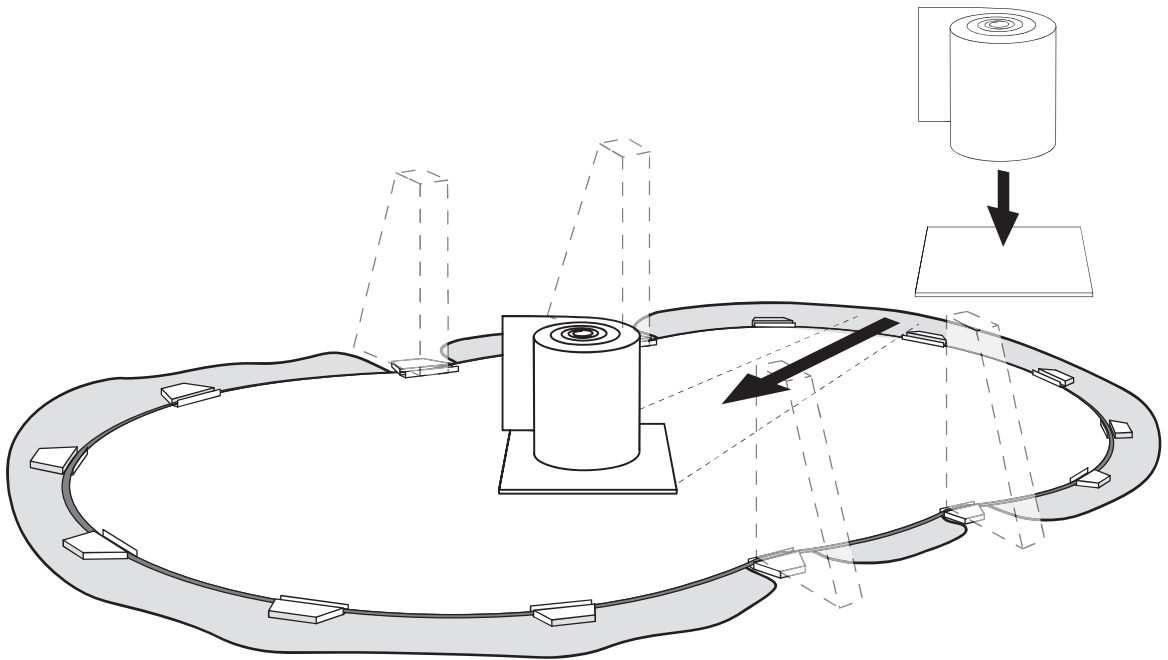
14



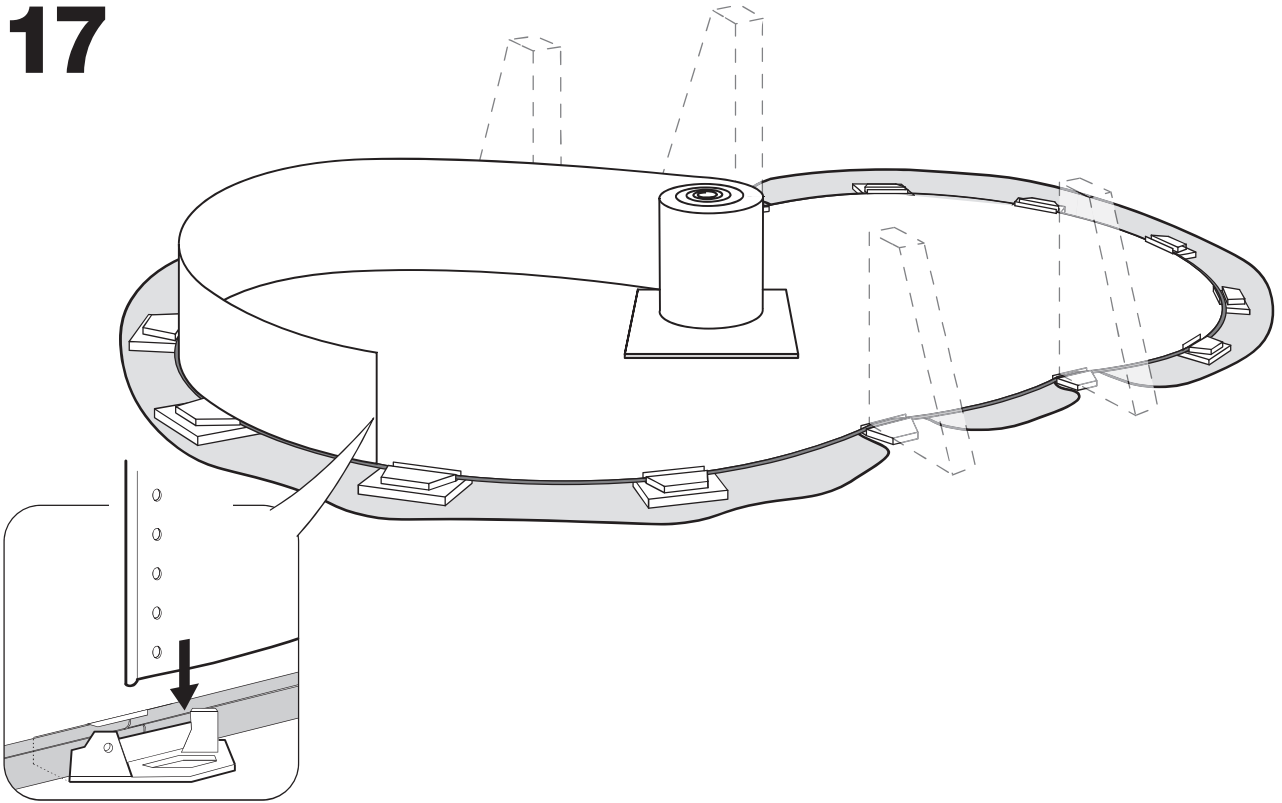
15



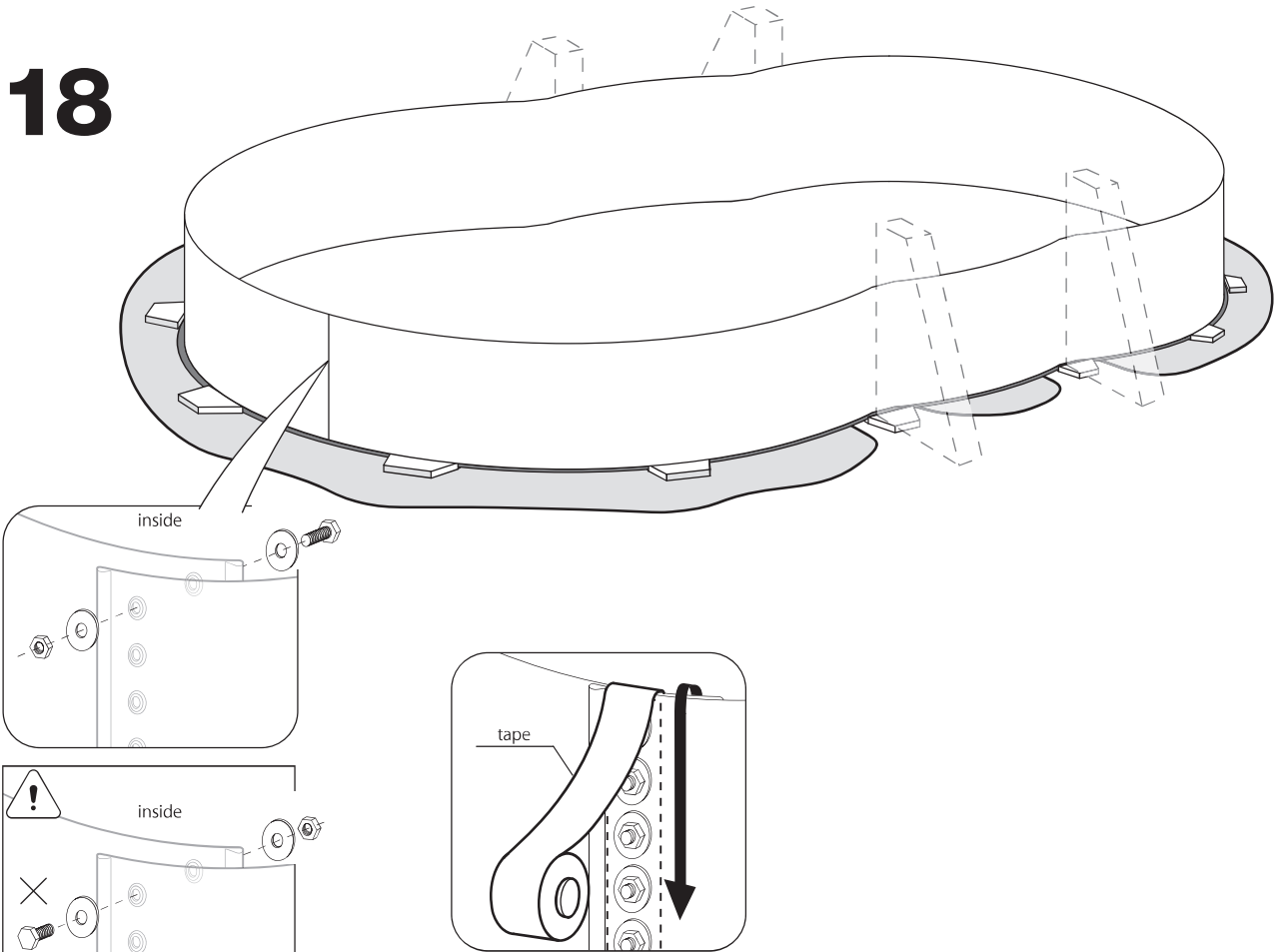
16



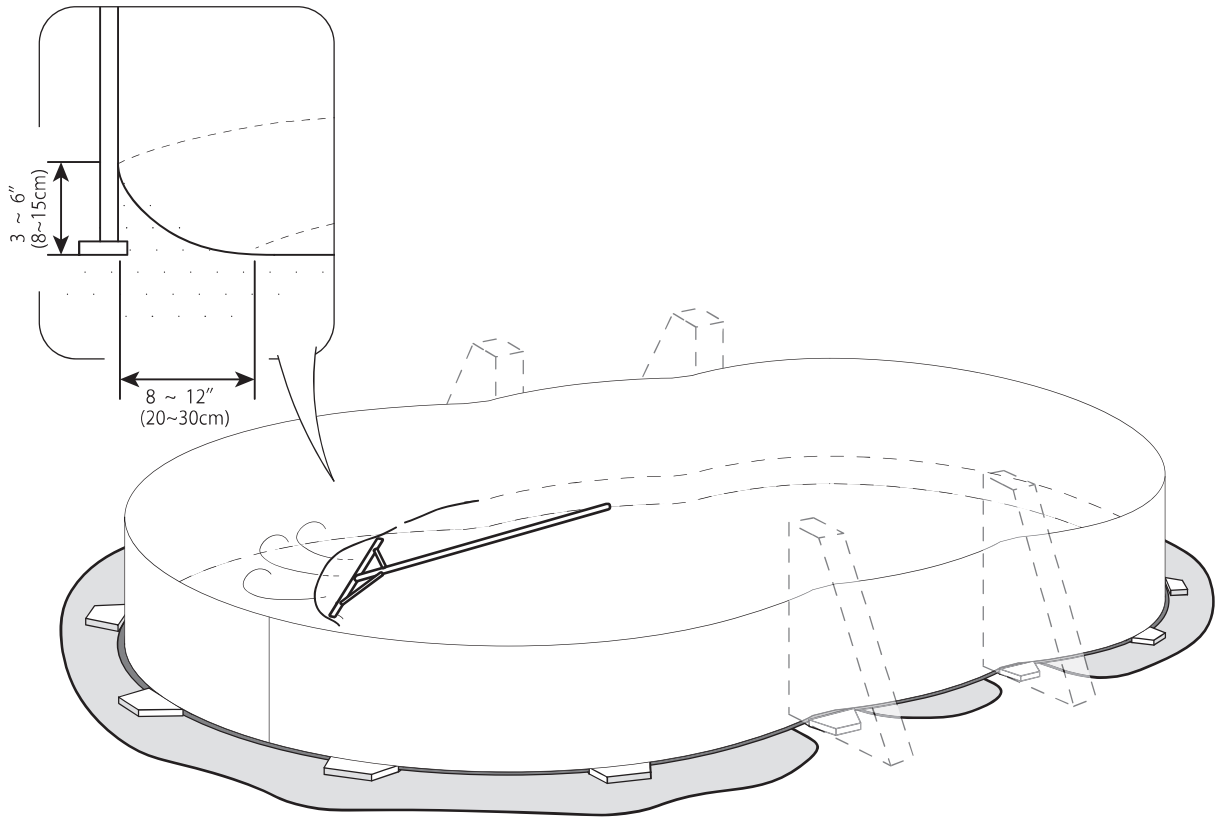
17



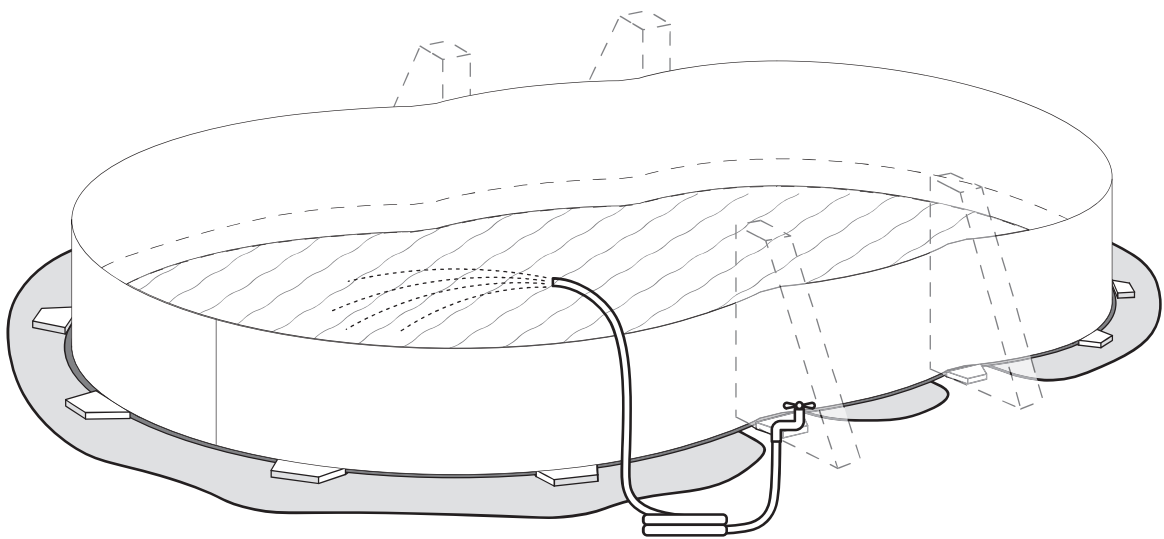
18



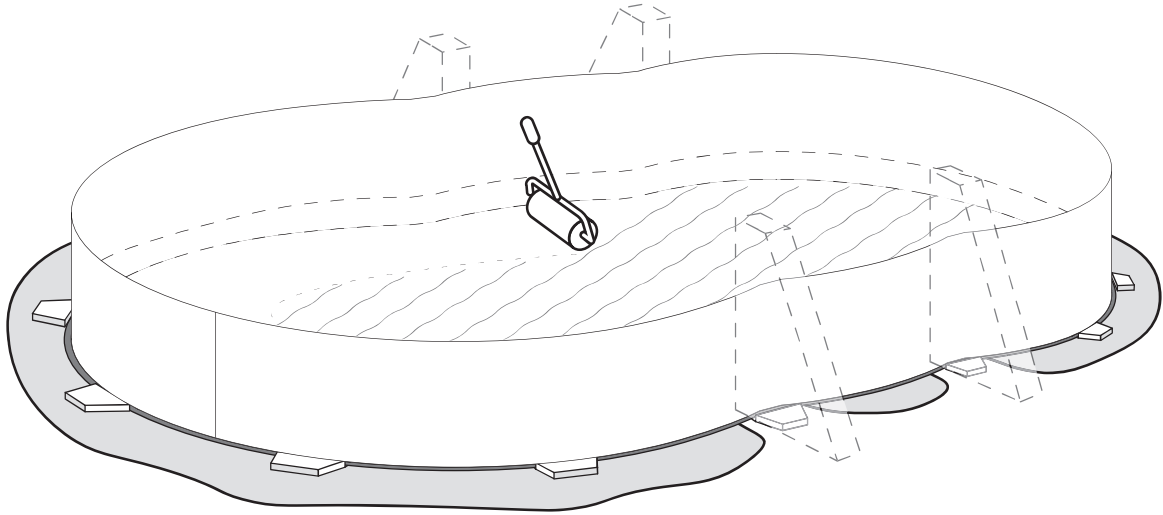
19



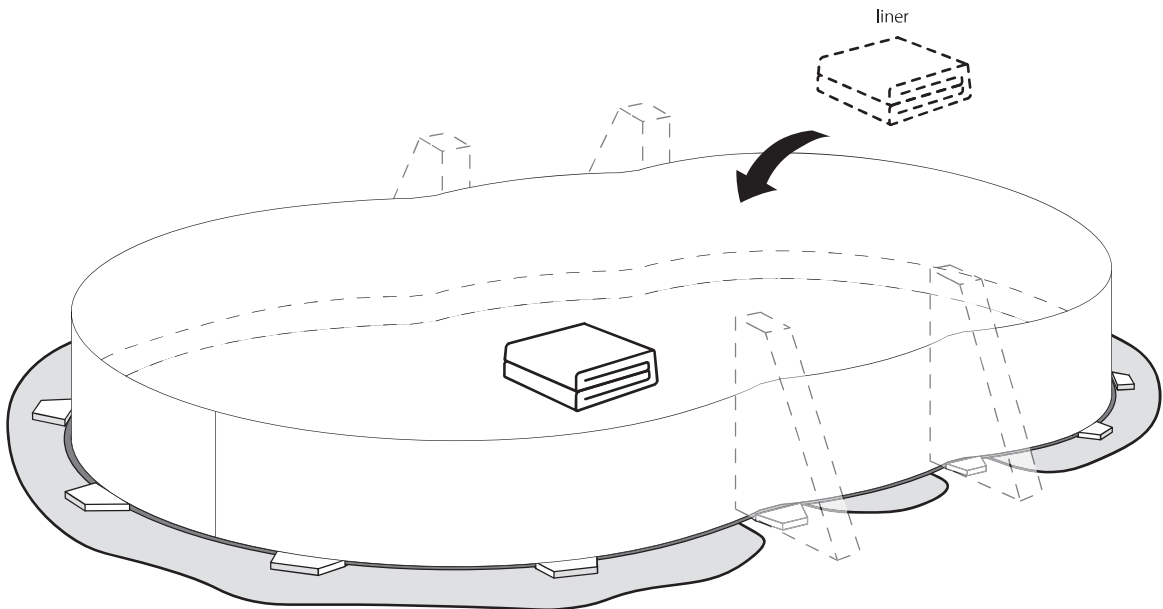
20



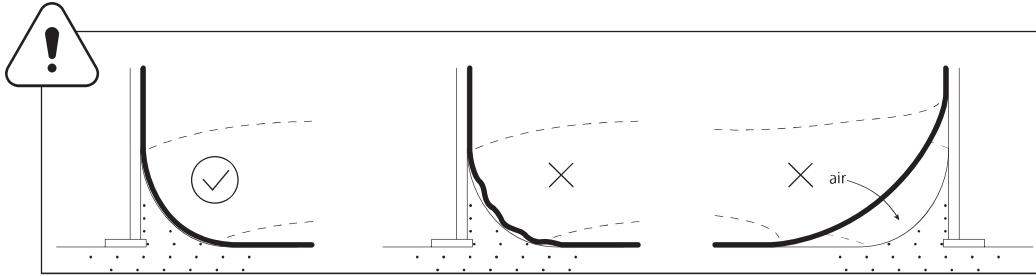
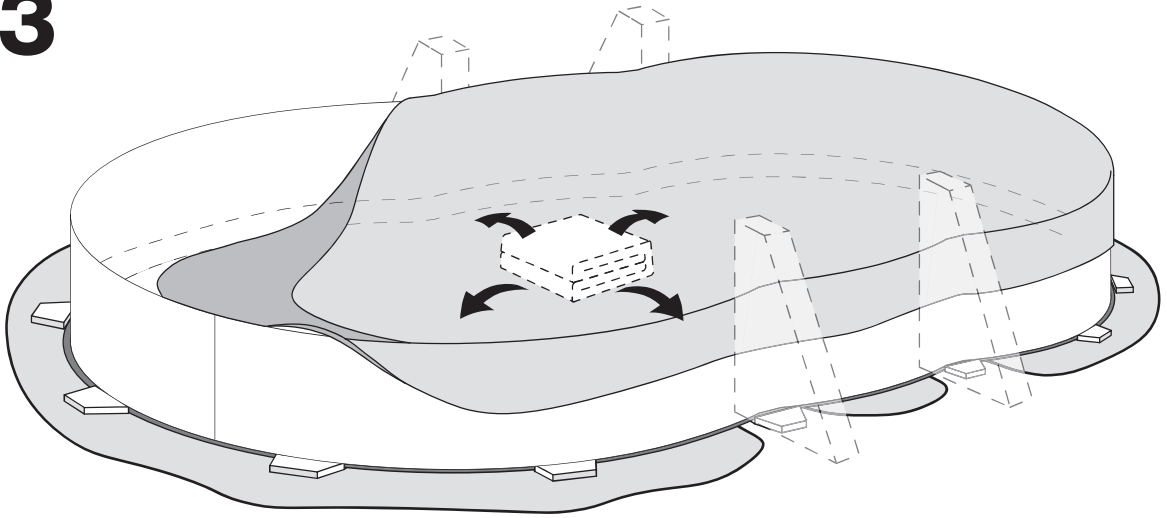
21



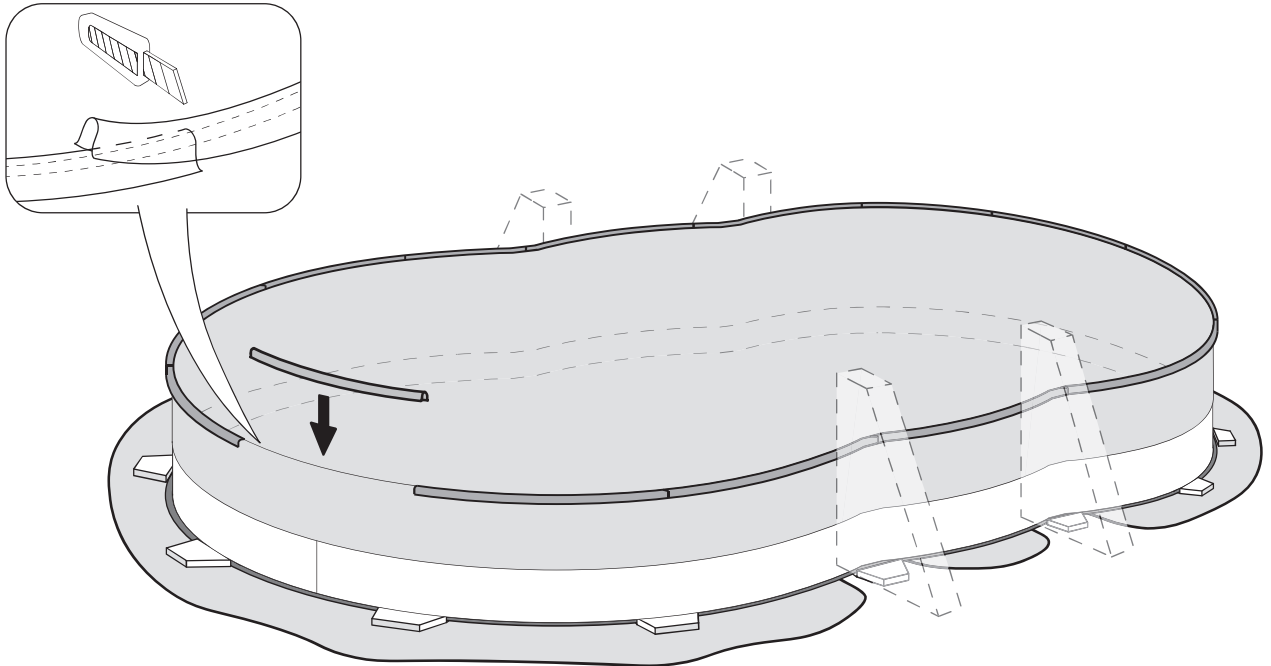
22



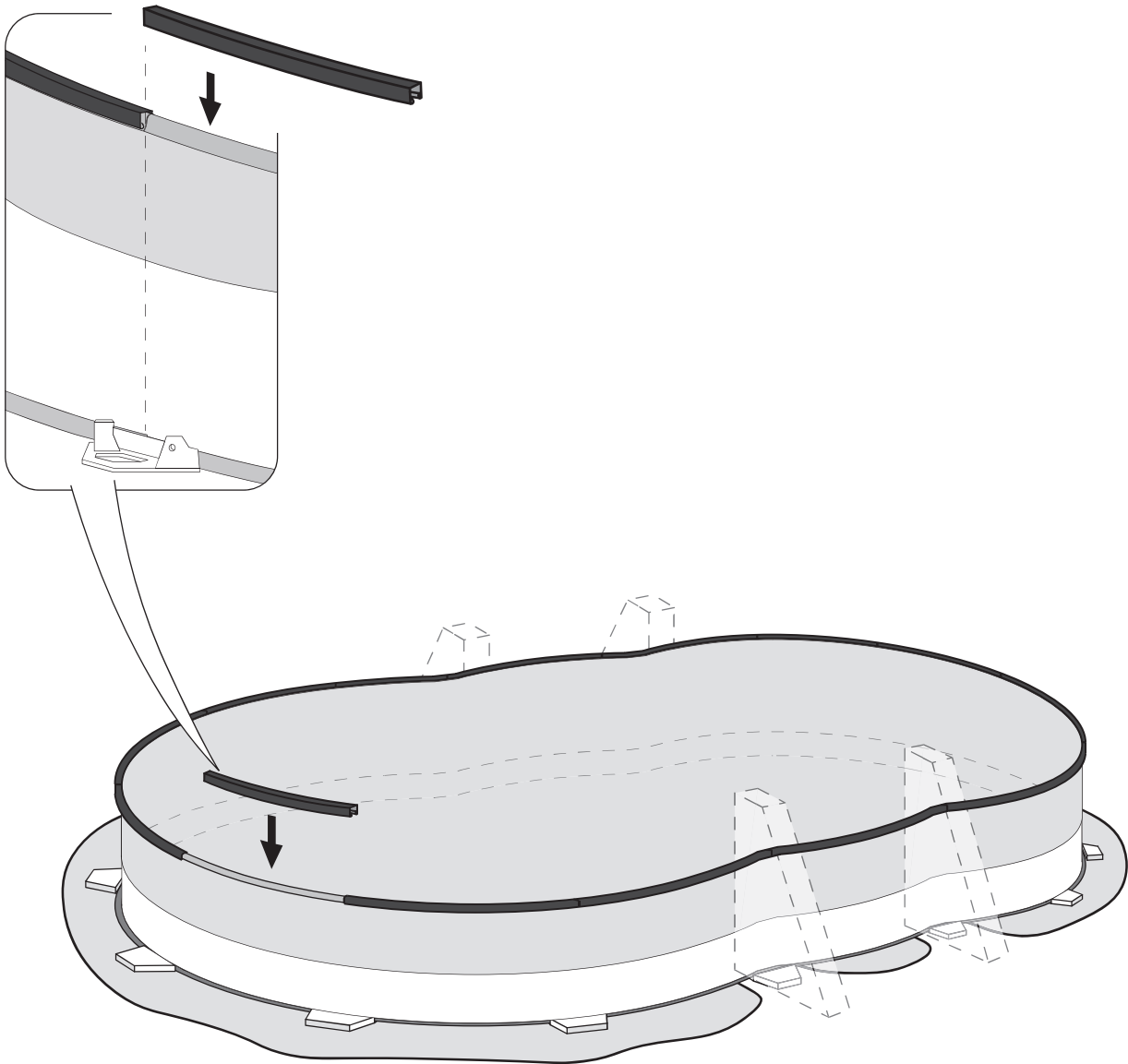
23



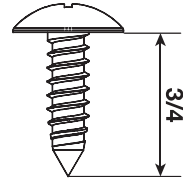
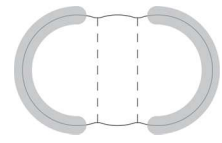
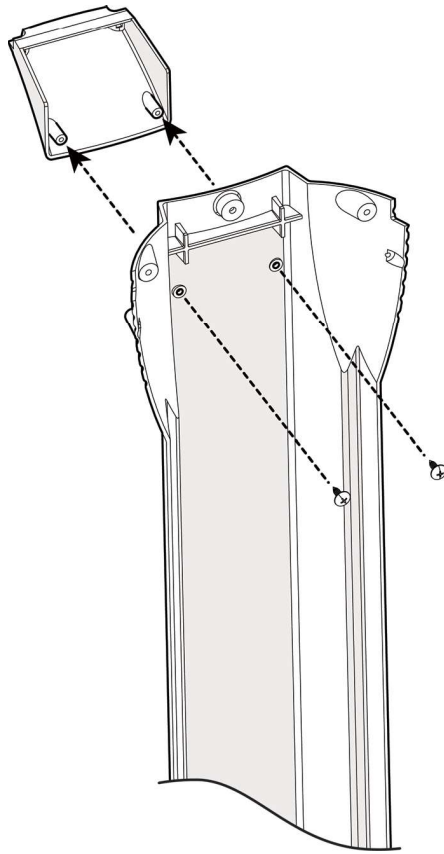
24



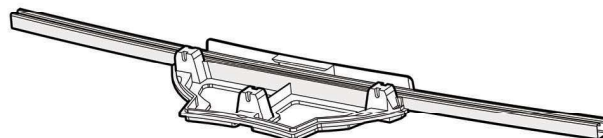
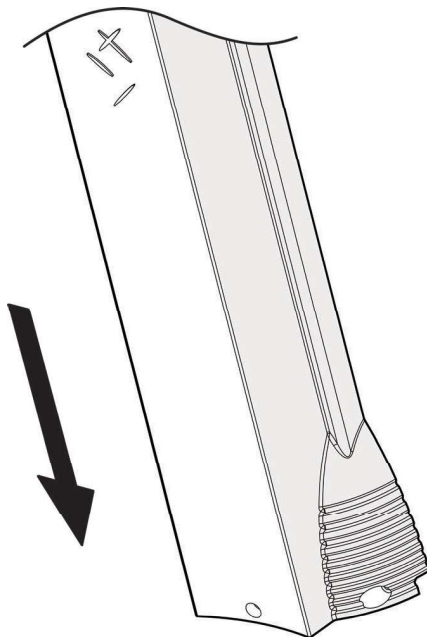
25



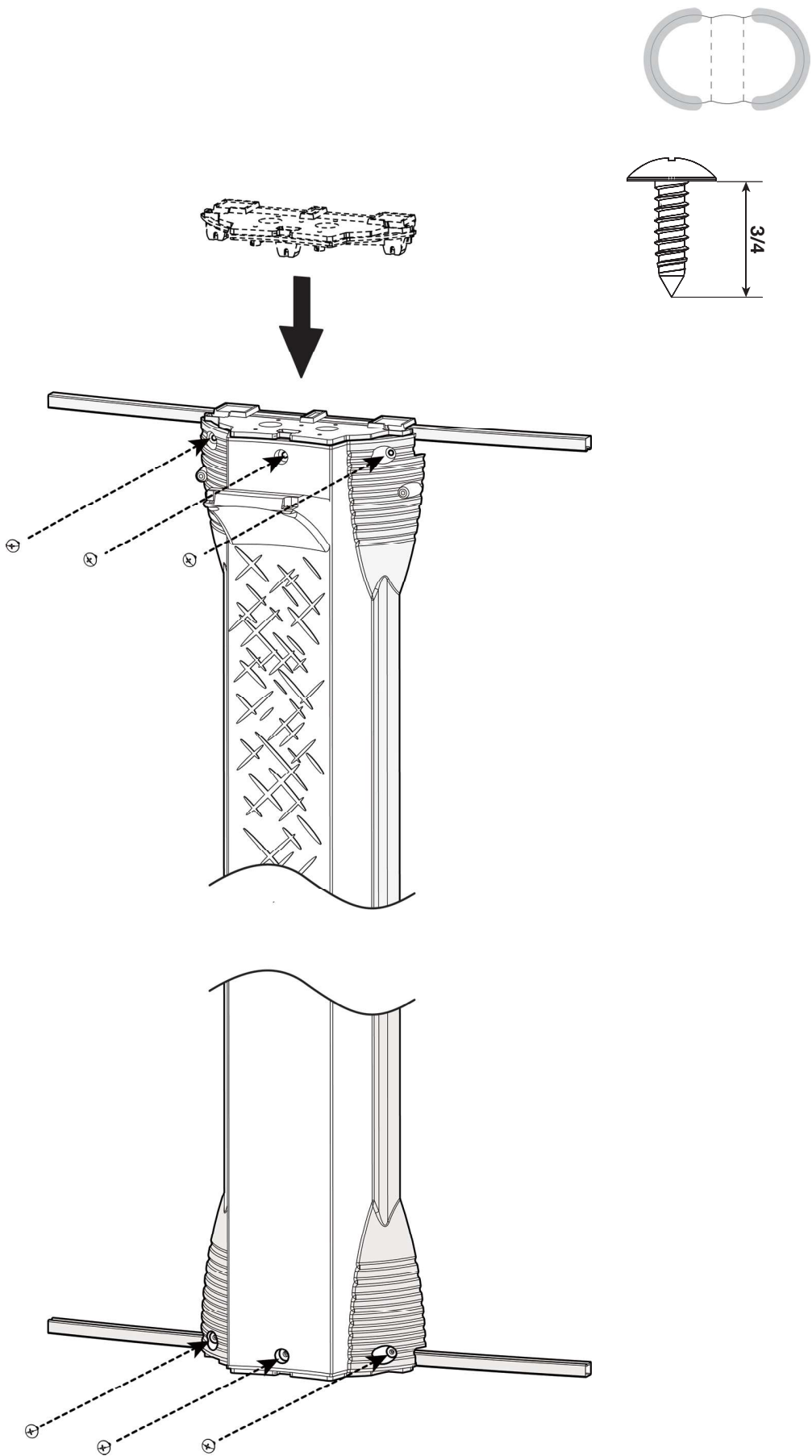
26



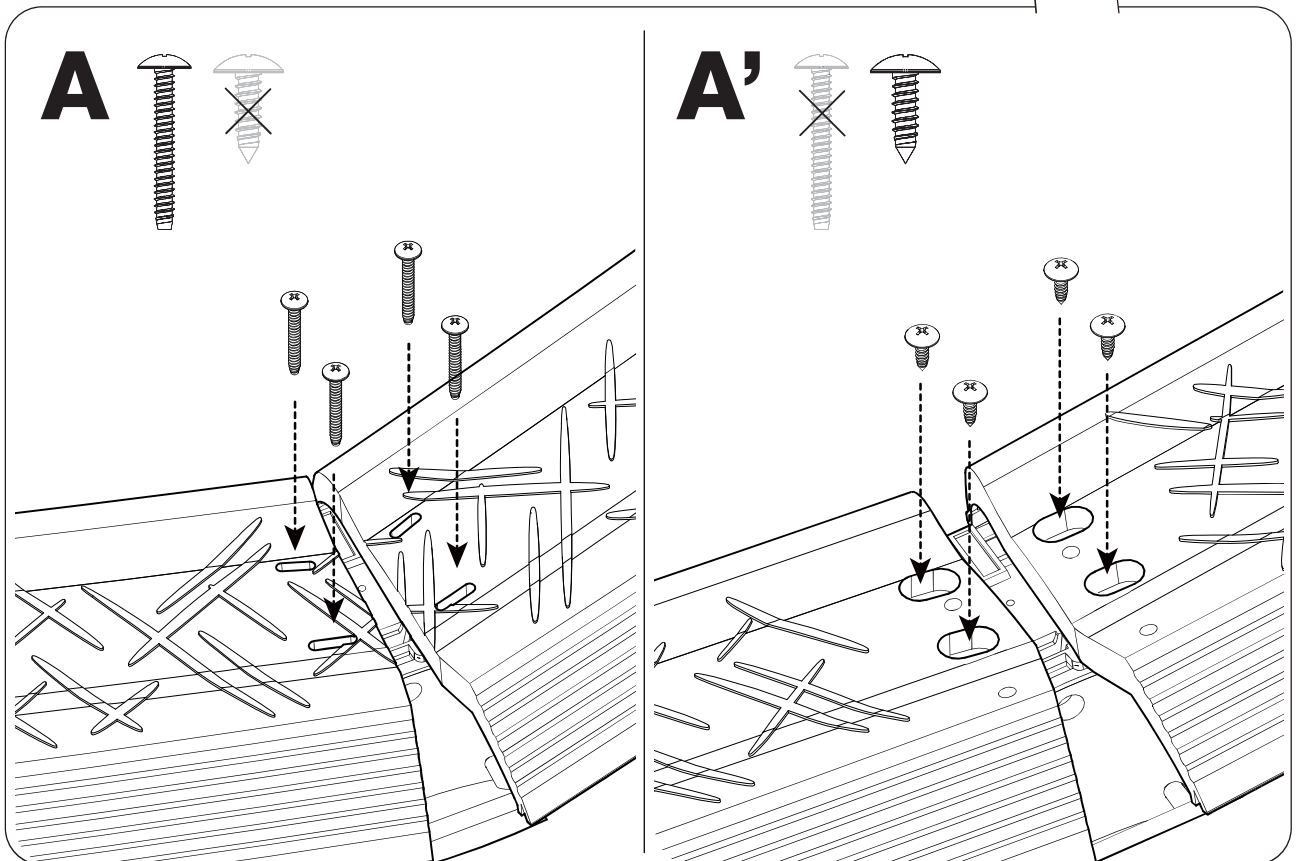
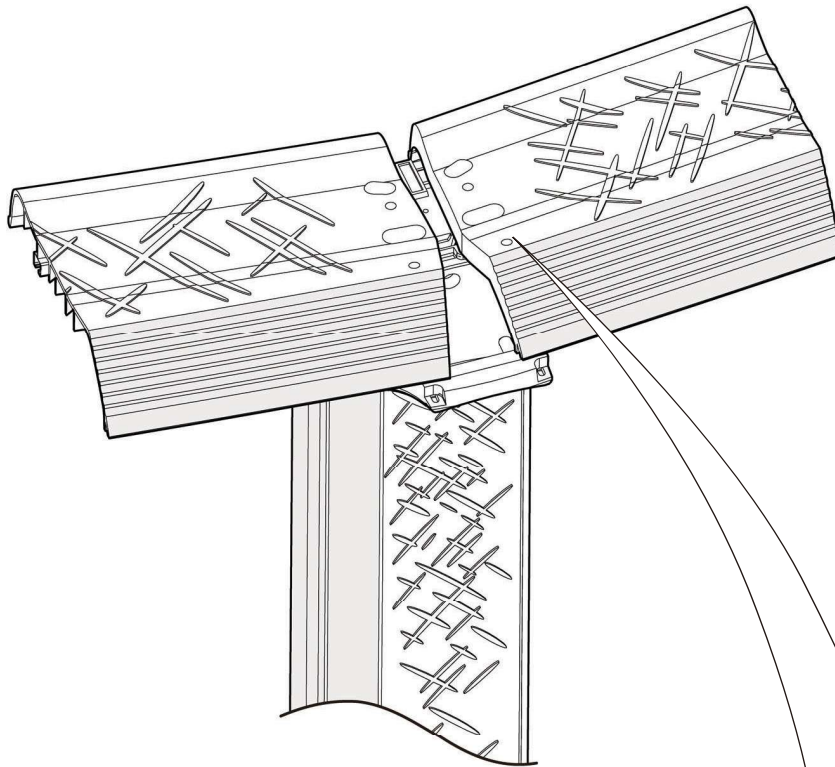
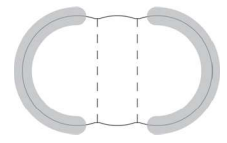
27



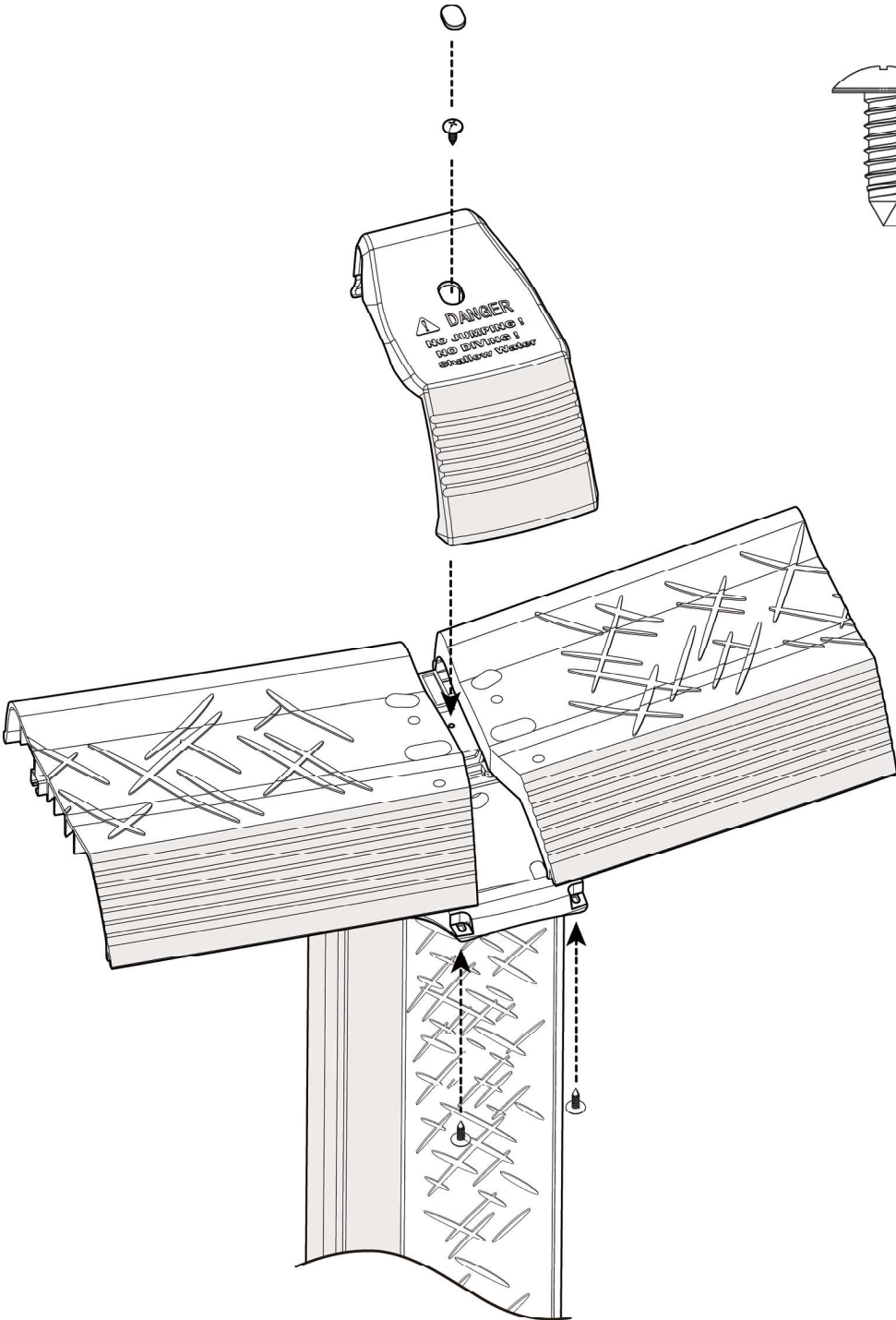
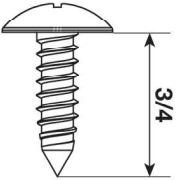
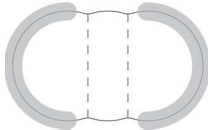
28



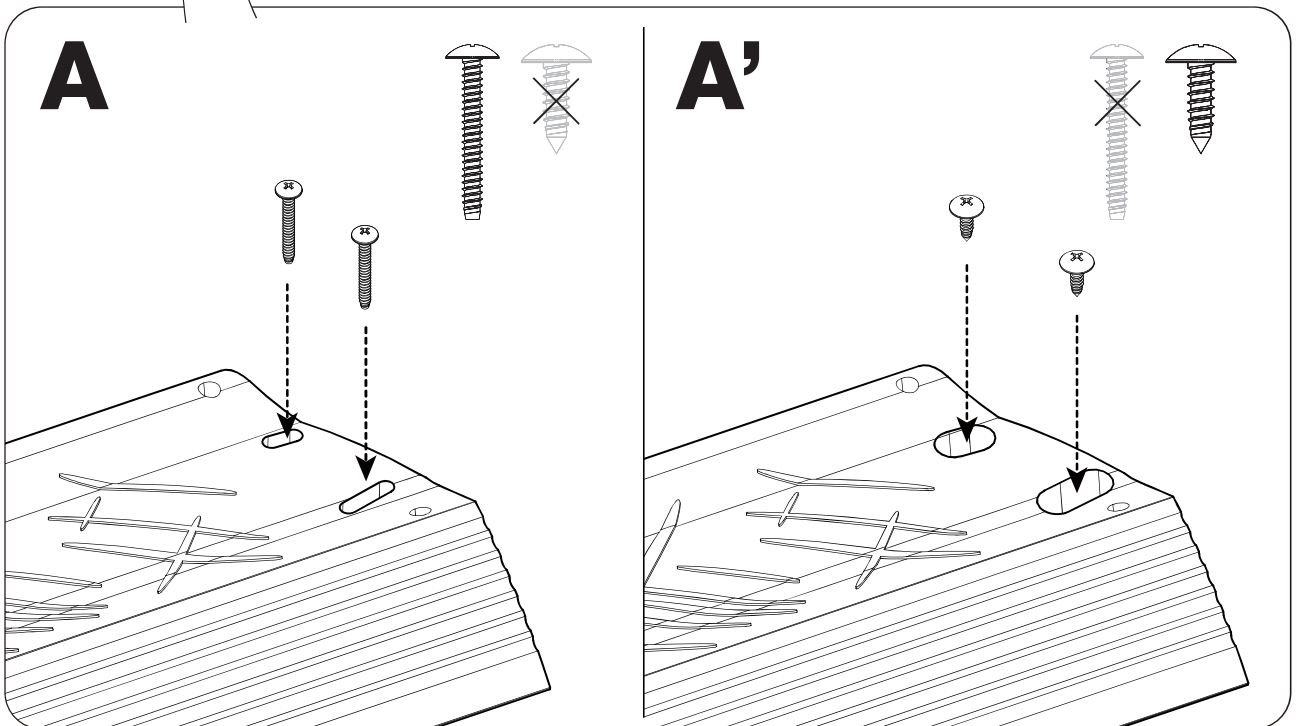
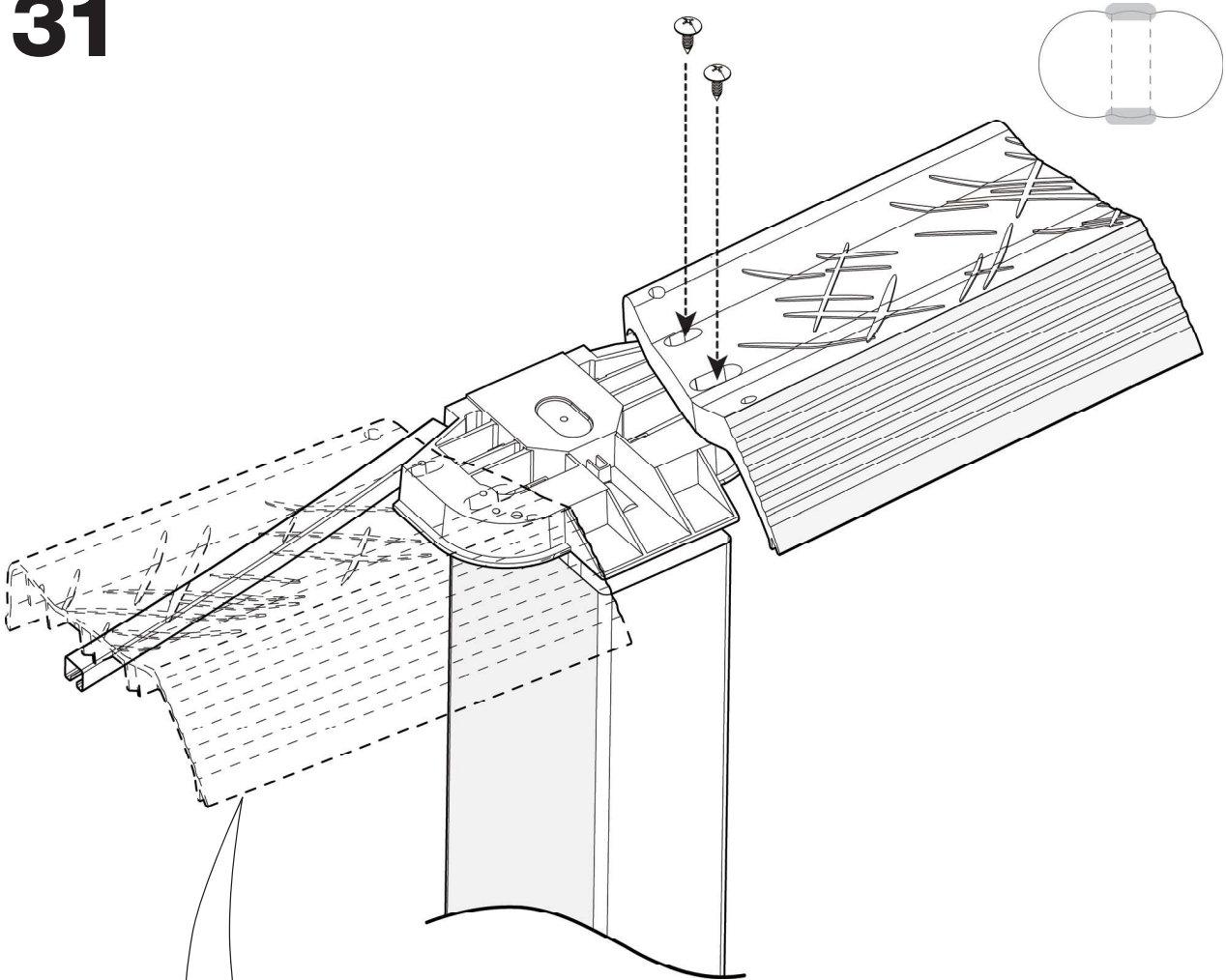
29



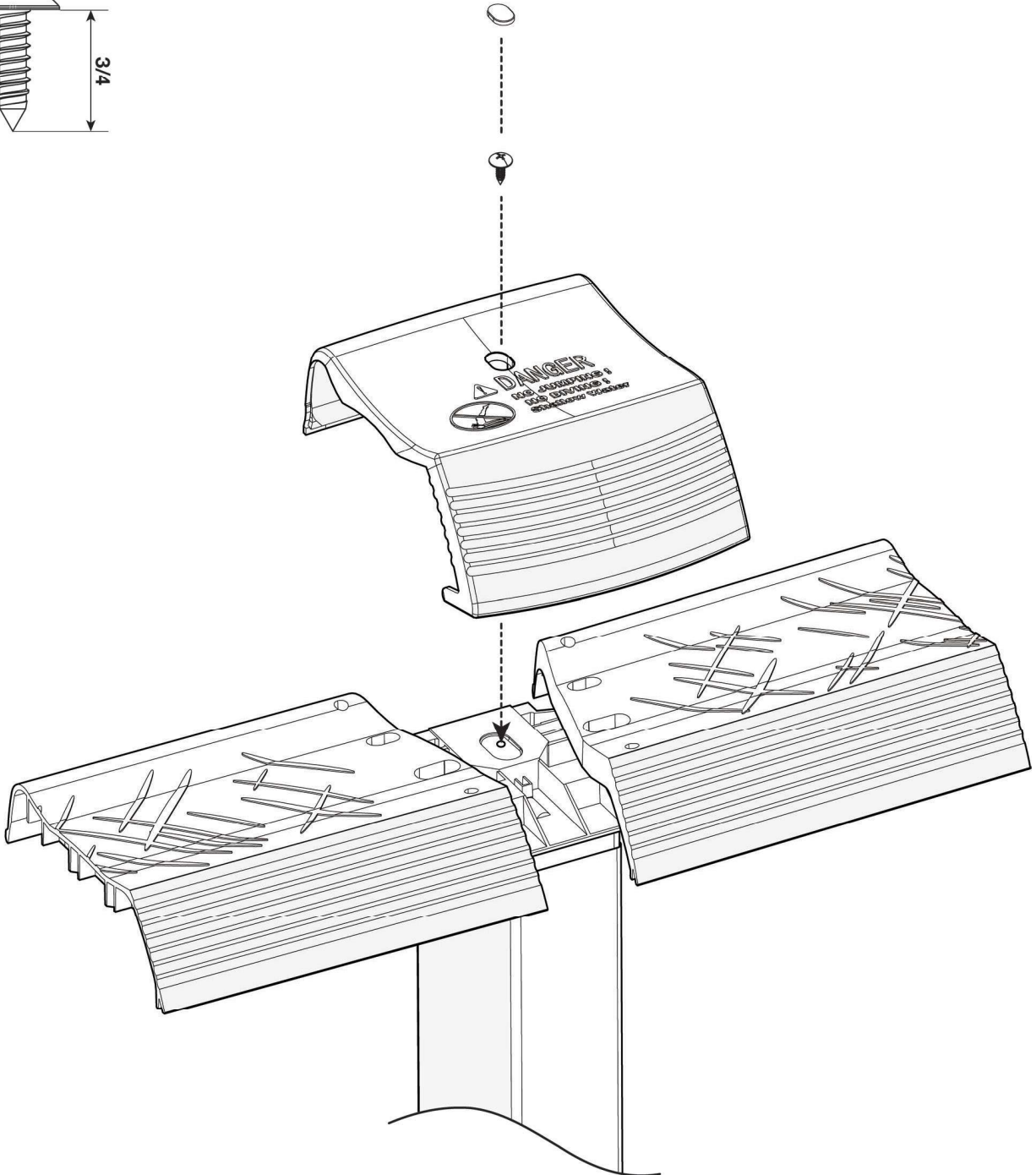
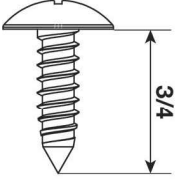
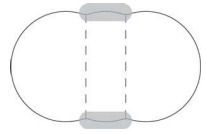
30



31



32



Safety Rules

