

**KEY LARGO  
STAINLESS STEEL  
IN POOL LADDER  
W/RESIN STEPS**

**MODEL AC 71498**



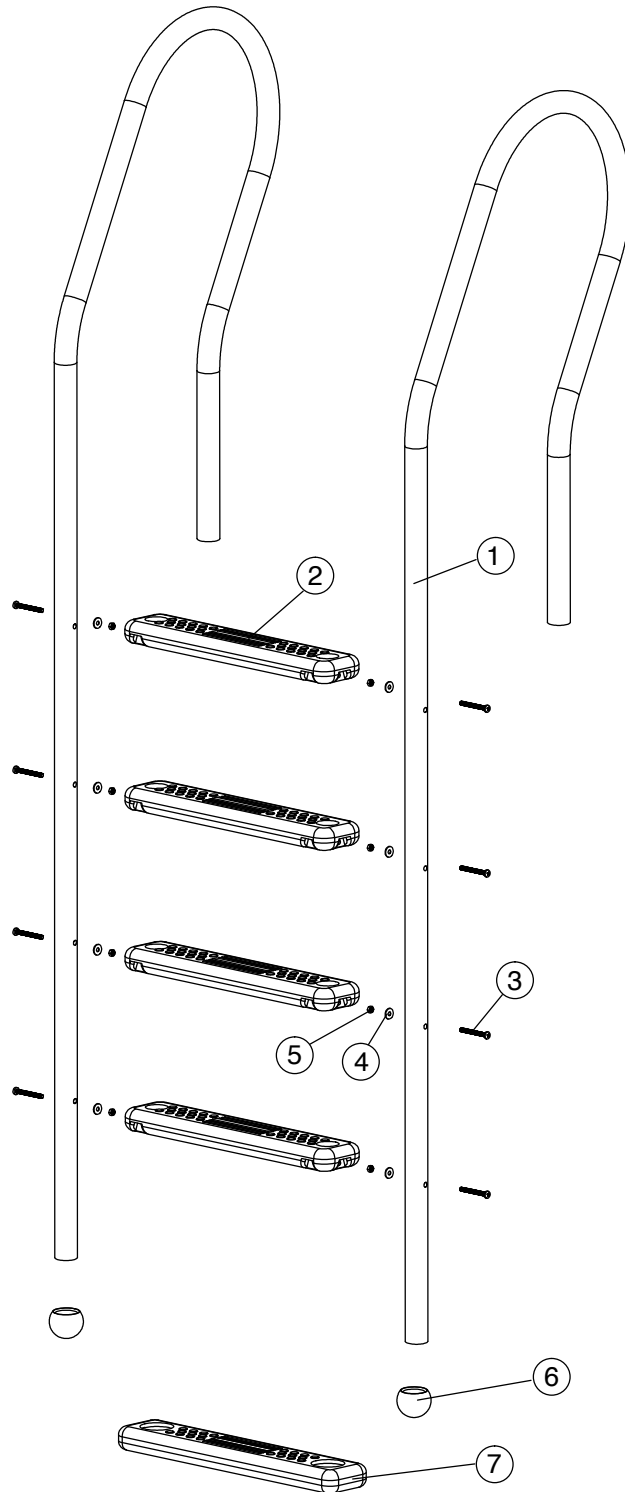
**TAHITIAN  
STAINLESS STEEL  
IN POOL LADDER  
W/SS STEPS**

**MODEL AC 71501**



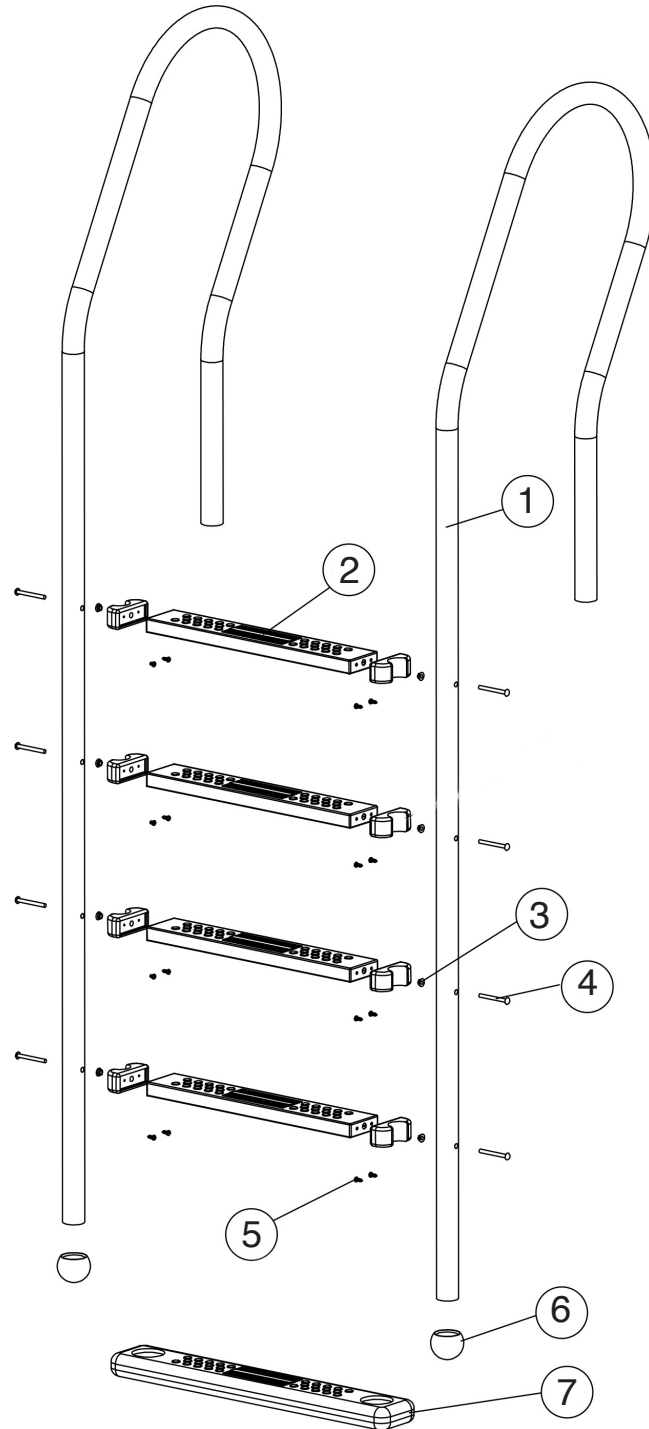
*Congratulations on purchasing The Key Largo or  
Tahitian Stainless Steel In Pool Ladder*

# KEY LARGO STAINLESS STEEL LADDER PARTS



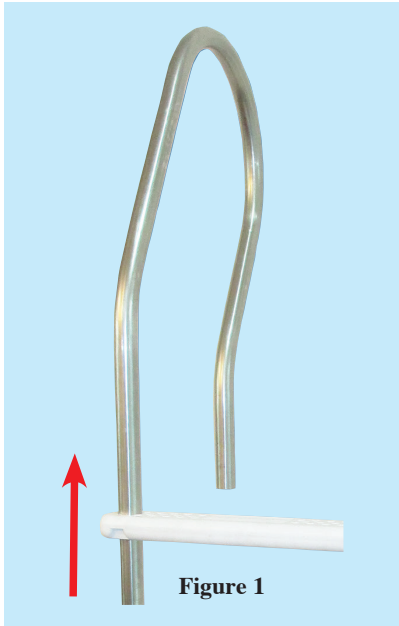
PART #	MODEL #	DESCRIPTION	QTY
1	AC 73008	Reverse Bend Stainless Steel Handrail	2
2	BS MIDSTEP	Steps	4
3	BS 698HDWRE	Hardware Bag	1
4	BS 698HDWRE	Hardware Bag	1
5	BS 698HDWRE	Hardware Bag	1
6	BS STPBALL	Pivot Ball	1
7	BS BOTSEP	Bottom Step	1

# TAHITIAN REVERSE BEND SS/LADDER PARTS



PART #	MODEL #	DESCRIPTION	QTY
1	AC 73008	Reverse Bend Stainless Steel Handrail	2
2	AC 22411	Stainless Steel Steps	4
3	AC 22268HDW	Hardware Bag	1
4	AC 22268HDW	Hardware Bag	1
5	AC 22268HDW	Hardware Bag	1
6	BS STPBALL	Pivot Ball	1
7	AC 22438	Bottom Step	1

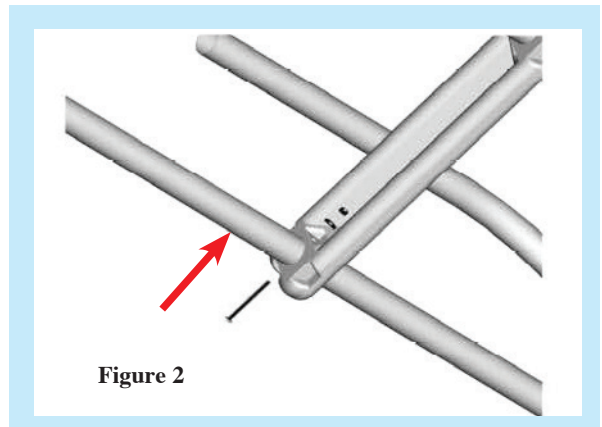
## STEP 1



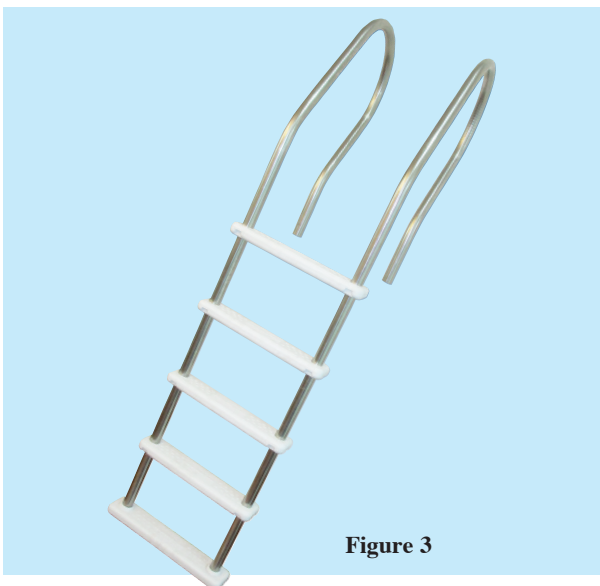
- Slide one of the four ladder steps (BS MIDSTEP) onto one of the stainless steel handrails (BS SSRAIL). Make sure that the step treads are facing up. (See figure 1)
- If you have any difficulty sliding the step onto the post, apply a small amount of lubricant to the posts.

## STEP 2

- Slide the second handrail through the hole on the opposite side of the step.
- Align the holes in the step with the top set of holes on the handrail.
- Secure step to handrail with a bolt and nut out of hardware bag (BS 698HDWR). Make sure that the head of the bolt is located on the outside of the step. (See figure 2)

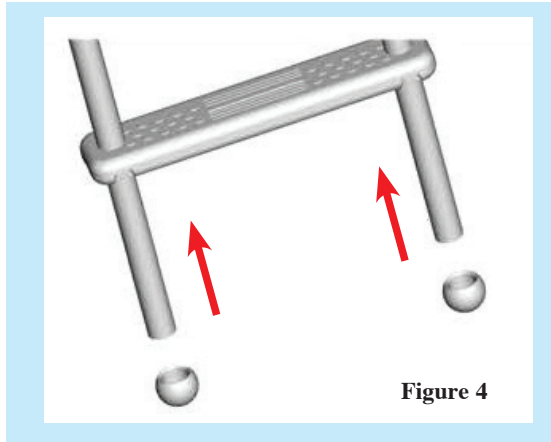


## STEP 3



- Slide the remaining 3 steps onto the handrails and secure them with nuts and bolts. (See figure 3)

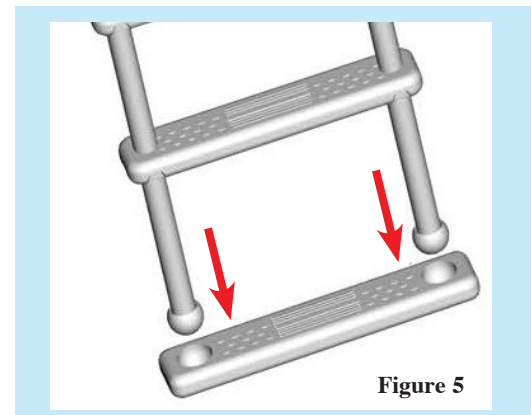
## STEP 4



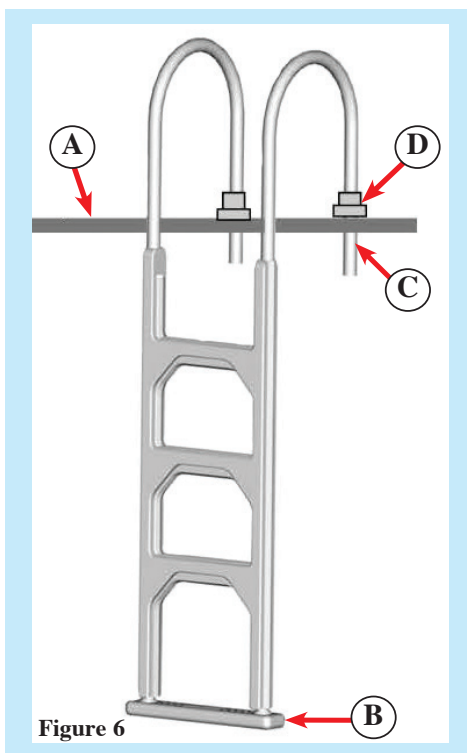
- Slide the pivot balls (BS STPBALL) onto the bottom of each handrail as shown in figure 4.
- Make sure both pivot balls are securely fastened to each handrail.

## STEP 5

- Place the bottom step (BS BOTSTEP) on the floor facing up. Hold the ladder assembly straight up and align the pivot balls with the receivers on the bottom step.
- Push down firmly until both balls are inserted into the step. See figure 5.



## STEP 6



- Place ladder in your desired position on deck (A). Swivel step if needed to align with pool floor. Make sure the base step rests flat against the pool floor. (B)
- Mark the location of the handrails on the deck with a pencil. Using a 1 1/2" hole saw, drill one hole for each hand rail through the deck surface. (C) This will ensure that the deck will now support the ladder.
- Secure hand rails to the deck using deck flanges (D). (FLANGES ARE SOLD SEPERATELY)
- Slide the flanges over each handrail. Insert the handrails through the holes in the deck. Secure the flanges to the deck with screws. Secure the flange to the handrail by tightening down the screw in the flange.

## LADDER MATS

- The use of a ladder mat is strongly recommended with any pool ladder. Ladder mats prevent your pool liner from being damaged by slight movements of your pool ladder.



**USE MODEL BS 17922  
9" x 24" MAT**

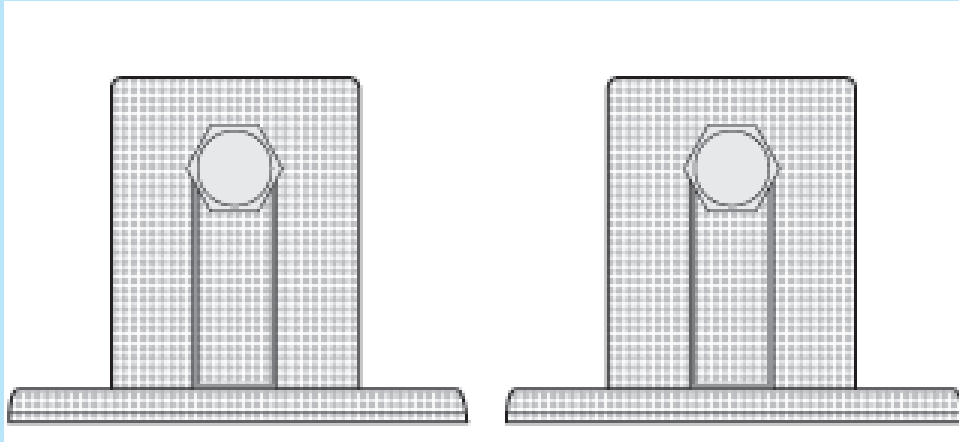
## HOW TO INSTALL YOUR LADDER MAT

1. Remove ladder mat from packaging
2. Place ladder mat onto the bottom of the pool with the smooth side facing down towards the liner
3. Place fully assembled ladder on top of the ladder mat. Make sure the ladder is centered on the ladder mat
4. Properly secure ladder to your pool

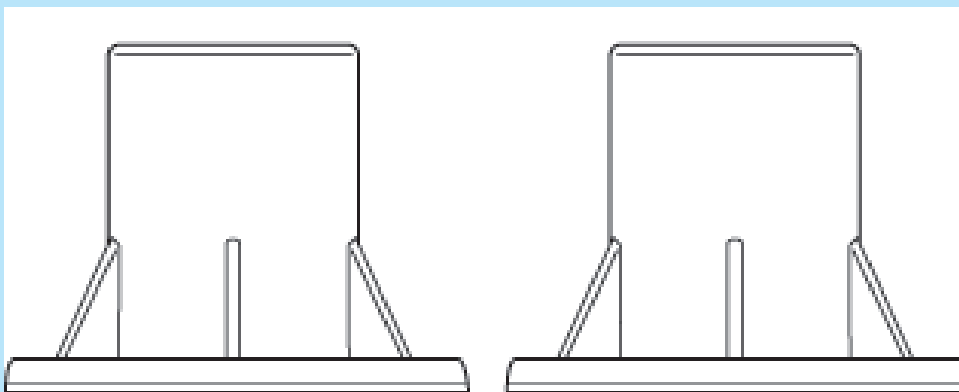
**LADDER MATS ARE SOLD SEPARATELY  
FOR YOUR POOL LADDER**

# LADDER FLANGES

- Ladder Flanges are used to secure your ladder to your deck.



- BS 55689 Blue Metal
- BS 55697 Silver Metal
- BS 35971 White Metal



- BS 35998 Plastic

**FLANGES ARE SOLD SEPARATELY**

**DANGER**

**WARNING**

To prevent  
Entrapment or  
Drowning,  
**DO NOT SWIM**  
through, behind  
or around the  
ladder

**DANGER**

**SAFETY  
NOTICE  
IMPORTANT**

**PLEASE  
READ  
BEFORE  
USING  
THIS  
LADDER**

**WARNING**

This ladder is  
designed and  
manufactured for  
**Aboveground,  
Semi-Inground  
Flat Bottom  
Pools**  
48", 52" and 54"  
in wall height  
and pool decks  
48", 52" and 54"  
in height

**WARNING**





**Blue Torrent** manufactures all of its products using cutting-edge technology with the best materials and workmanship available.

**Blue Torrent's ENTRY SYSTEMS, LADDERS AND STEPS** are warranted as follows:

## **1 YEAR LIMITED WARRANTY**

**Blue Torrent** warrants its Entry Systems, Ladders and Steps to be free of defects in material and/or workmanship for a period of one year from the original date of purchase.

### **WARRANTY CLAIM EXCLUSIONS:**

- Damage caused by improper installation as specified in owner's manual
- Damage caused by improper handling
- Damage due to misuse, abuse and/or failure to operate item per owner's manual
- Damage caused by improper water chemistry
- Damage caused by improper winterization of equipment
- Damage caused by not using original replacement parts
- Accidental damage, fire, acts of God or other circumstances outside of **Blue Torrent's** control

#### **NOTE:**

- Customer must retain the original sales invoice as proof of purchase along
- Commercial facilities are not covered by warranty

Please return any and all defective items to your local authorized **Blue Torrent** dealer for inspection.

**The customer is responsible for all shipping charges to and from the nearest Factory Warranty Center. For more information. Please visit [www.btwarranty.com](http://www.btwarranty.com)**

Should a defect in material or workmanship appear the product will be repaired or replaced at our discretion. Neither **Blue Torrent** nor any authorized dealer is responsible for any charges related to the installation of the new item or part. Nor are they responsible for any incidental charges incurred including, but not limited to, water, chemicals, landscaping or any other associated expenses.