

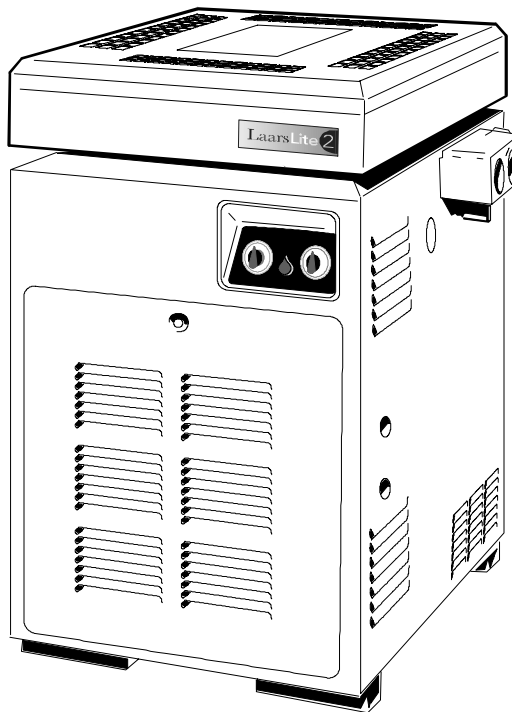
**FOR YOUR SAFETY - This product must be installed and serviced by a professional service technician, qualified in pool heater installation. Improper installation and/or operation could create carbon monoxide gas in flue gases which could cause serious injury, property damage, or death. Improper installation and/or operation will void the warranty.**

## Installation and Operation Manual

### Laars Lite 2™ Pool and Spa Heater

#### Models LG and LD Natural Gas or LP Gas

**NOTE: LD LP Gas For  
Outdoor Use Only**



**⚠ WARNING: If these instructions are not followed exactly, a fire or explosion may result, causing property damage, personal injury, or death.**

**Do not store or use gasoline or other flammable vapors and liquids in the vicinity of this or any other appliance.**

#### WHAT TO DO IF YOU SMELL GAS

- Do not try to light any appliance.
- Do not touch any electrical switch; do not use any phone in your building.
- Immediately call your gas supplier from a nearby phone. Follow the gas supplier's instructions.
- If you cannot reach your gas supplier, call the fire department.

**Installation and service must be performed by a qualified installer, service agency, or the gas supplier.**

---

## TABLE OF CONTENTS

### SECTION 1.

#### General Information

|     |                            |   |
|-----|----------------------------|---|
| 1A. | Introduction .....         | 1 |
| 1B. | Description .....          | 2 |
| 1C. | Warranty .....             | 2 |
| 1D. | Technical Assistance ..... | 2 |

### SECTION 2.

#### Installation Instructions

|       |  |    |
|-------|--|----|
| 2A.   | General Information .....                                      | 2  |
| 2B.   | Field Assembly .....   | 2  |
| 2C.   | Site Location .....  | 3  |
| 2C-1. | Installation Information .....                                 | 3  |
| 2C-2. | Outdoor Installation .....                                     | 4  |
| 2C-3. | Flooring - Typical Installation .....                          | 4  |
| 2C-4. | Indoor and Outdoor Shelter Installation .....                  | 4  |
| 2D.   | Combustion and Ventilation Air Supply .....                    | 5  |
| 2E.   | Gas Supply and Piping .....                                    | 5  |
| 2E-1. | General Instructions .....                                     | 5  |
| 2E-2. | Special Precautions for Propane Gas .....                      | 6  |
| 2F.   | Electrical Wiring .....  | 6  |
| 2F-1. | General Information (LD Only) .....                            | 6  |
| 2F-2. | Auxiliary Time Clock Wiring .....                              | 8  |
| 2F-3. | Remote Operation (Model LD Only) .....                         | 9  |
| 2G.   | Water Flow System .....  | 9  |
| 2G-1. | Flange Installation .....                                      | 9  |
| 2G-2. | Reversible Water Connections .....                             | 10 |
| 2G-3. | Valve Installation .....                                       | 12 |
| 2G-4. | Chlorinators, Ozone Generators, and Sanitizing Chemicals ..... | 12 |

|       |   |    |
|-------|---|----|
| 2G4a  | Water Chemistry .....                   | 13 |
| 2G-5. | Pressure Relief Valve .....             | 13 |
| 2G-6. | Adjusting the Pressure Switch .....     | 13 |
| 2G-7. | Automatic Flow Control Valve .....      | 14 |
| 2G-8. | Temperature Rise .....                  | 14 |
| 2G-9. | Adjusting the Manual Bypass Valve ..... | 15 |

### SECTION 3.

#### Operating Instructions

|       |  |    |
|-------|--|----|
| 3A.   | General Information .....              | 16 |
| 3B.   | Lighting and Shutdown Procedures ..... | 16 |
| 3B-1. | Model LD (Direct Ignition) .....       | 16 |
| 3B-2. | Model LG (Standing Pilot) .....        | 16 |
| 3C.   | Setting the Temperature Control .....  | 16 |
| 3D.   | Seasonal Care .....                    | 19 |
| 3D-1. | Spring and Fall Operation .....        | 19 |
| 3D-2. | Winterizing .....                      | 19 |
| 3D-3. | Spring Startup .....                   | 19 |
| 3E.   | Water Chemistry .....                  | 20 |
| 3F.   | Spa/Hot Tub Safety Rules .....         | 20 |
| 3G.   | Swimming Pool Energy Saving Tips ..... | 20 |
| 3H.   | Periodic Inspection .....              | 21 |
| 3H-1. | Owner Inspection .....                 | 21 |
| 3H-2. | Professional Inspection .....          | 21 |

### SECTION 4.

#### Parts List for Laars Lite 2 Heater

|     |                           |    |
|-----|---------------------------|----|
| 4A. | General Information ..... | 21 |
| 4B. | Parts List .....          | 21 |

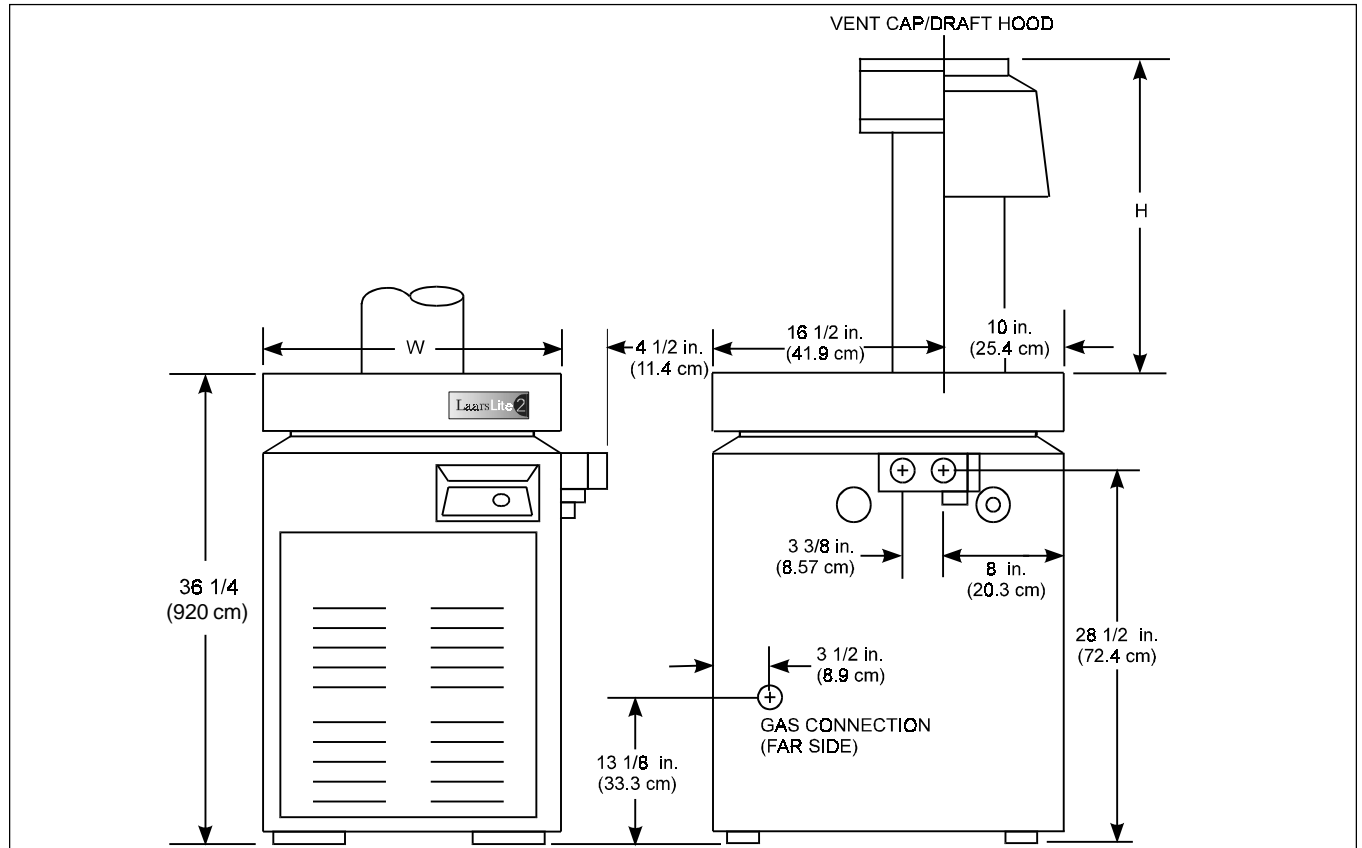
# SECTION 1. General Information

## 1A. Introduction

This manual provides installation and operation instructions for the Laars Lite 2, Model LG and LD pool and spa heaters. Read these installation and operation instructions completely before proceeding

with the installation. Consult the Waterpik Laars factory, or local factory representative, with any questions regarding this equipment. Experience has shown that most operating problems are caused by improper installation.

The Laars Lite 2 heater is design certified by International Approval Services (formerly American Gas Association and Canadian Gas Association) as complying with the latest edition of the Standard for



| Model Size | Heater Width  | Venting Dimensions |             |                      |            | Firing Rate / Hr. (1,000's) |  |
|------------|---------------|--------------------|-------------|----------------------|------------|-----------------------------|--|
|            |               | Vent Diameter      |             | U.S. Outdoor Dim "H" |            |                             | U.S. Indoor or CAN Outdoor Shelter Dim "H" |
|            | in (cm)       | in (cm)            | in (cm)     | in (cm)              | in (cm)    | in (cm)                     | BTU (kcal)                                 |
| 125        | 15 (38)       | 5 (12.7)           | 9 1/8 (23)  | 16 1/4 (41.3)        | 125 (31.5) |                             |  |
| 175        | 18 (45.7)     | 6 (15.2)           | 9 3/4 (24)  | 24 1/8 (61.3)        | 175 (44.1) |                             |  |
| 250        | 22 1/2 (57.2) | 7 (17.8)           | 10 (26)     | 25 1/4 (64.1)        | 250 (63)   |                             |  |
| 325        | 26 3/4 (67.9) | 8 (20.3)           | 10 5/8 (27) | 26 1/2 (67.3)        | 325 (81.9) |                             |  |
| 400        | 31 3/4 (80.6) | 9 (22.9)           | 13 1/4 (34) | 27 1/2 (69.9)        | 400 (101)  |                             |  |

**Notes:**

1. In Canada, derate BTU/Hr input and output 10 percent for altitudes of 2,000 to 4,500 feet (609 to 1372 m) above sea level. No derating necessary up to altitude of 2,000 feet (609 m). In United States derate input 4 percent for each 1,000 feet (305 m) above sea level, starting at 2,000 feet (609m).
2. The Laars Lite 2 is constructed for 75 psi working pressure.
3. Ratings shown are for both natural and propane gas.

Figure 1. General Configuration.

Gas-Fired Pool Heaters, ANSI Z21.56, and in Canada with CAN1-4.7-M85.

Certain sections of this manual are specific to either United States or Canadian installations, and are labeled as such.

## 1B. Description

The Laars Lite 2 LD heater gets electrical power from an external 120VAC or 240VAC source and provides a dual thermostat Flex-Temp control system for pool/spa combinations or preheat convenience. The Laars Lite 2 LD heater also meets the California, New York, Hawaii, and Oregon state energy requirements for intermittent ignition gas appliances. The Laars Lite 2 LG heater is a self contained standing pilot unit and requires no external power.

The Laars Lite 2 heater is specifically designed for heating swimming pools and spas. Do not use it as a general service water heater. There is a specially designed model of Laars Lite 2 for heating salt water pools. Consult your dealer for the appropriate Waterpik Laars products for these applications.

## 1C. Warranty

The Laars Lite 2 heater is sold with a limited factory warranty. Details are specified on the back cover of this manual. A copy of the warranty and a warranty registration card are included in the plastic bag shipped with the heater. Fill out and return the warranty registration card.

Make all warranty claims to an authorized Waterpik Laars representative or directly to the factory. Claims must include the heater serial number and model (this information can be found on the rating plate), installation date, and name of the installer. Shipping costs are not included in the warranty coverage.

Damage caused by improper installation or assembly, or to the heat exchanger by corrosive water, is NOT covered by the Warranty. See Section 3D for maintaining proper pool water chemistry.

**NOTE:** Keep this manual in a safe place for future reference when inspecting or servicing the heater.

## 1D. Technical Assistance

Consult Waterpik Laars or your local distributor with any questions or problems involving the specifications, installation, and operation of your Waterpik Laars equipment. An experienced technical support staff is ready to assist in assuring the proper performance and application of Waterpik Laars products. For technical support call (415) 382-8220 extension 260.

## SECTION 2. Installation Instructions

### 2A. General Information

Install the Laars Lite 2 heaters, vent caps and drafthoods in accordance with the procedures in this manual, local codes and ordinances, and in accordance with the latest edition of the National Fuel Gas Code, ANSI Z223.1. In Canada, the installation must be in accordance with CAN1-B149.1 or .2 and local codes. The authority having jurisdiction may require that the installation conform to the Standard for Gas-Fired Heaters, ANSI Z21.56. Any changes to the heater, gas controls, gas orifices, wiring, draft diverter, or improper installation may void the warranty. If field conditions require change to any of the above, consult the factory.

All gas-fired products require correct installation to assure safe operation. The requirements for pool heaters include the following:

1. Field assembly (if required)
2. Appropriate site location (clearances) and flooring
3. Sufficient combustion and ventilation air
4. Properly sized gas meter and piping
5. Proper electrical wiring (if required)
6. Adequate water flow

This manual provides the information needed to meet these requirements. Review all application and installation procedures completely before continuing the installation.

### 2B. Field Assembly

The Laars Lite 2 heater is shipped from the factory with the top assembly in the low-profile configuration for outdoor installation in the U.S. In Canada, an outdoor installation requires the addition of a factory approved vent cap. The Laars Lite 2 heater is design certified for indoor installation when equipped with a drafthood, which must be installed without modification.

The Laars Lite 2 heater is also certified for installation in an outdoor shelter in Canada when equipped with a drafthood. An outdoor shelter is an enclosure not normally occupied which does not communicate directly with occupied areas.

Check the rating plate on the heater or the Parts List (Sec. 4) of this manual for the correct Waterpik Laars drafthood or vent cap part number. See instructions supplied with the drafthood or vent cap for installation and attachment. When the drafthood is used, locate the heater so as to be in the same atmospheric pressure zone as the combustion air inlet to the heater.

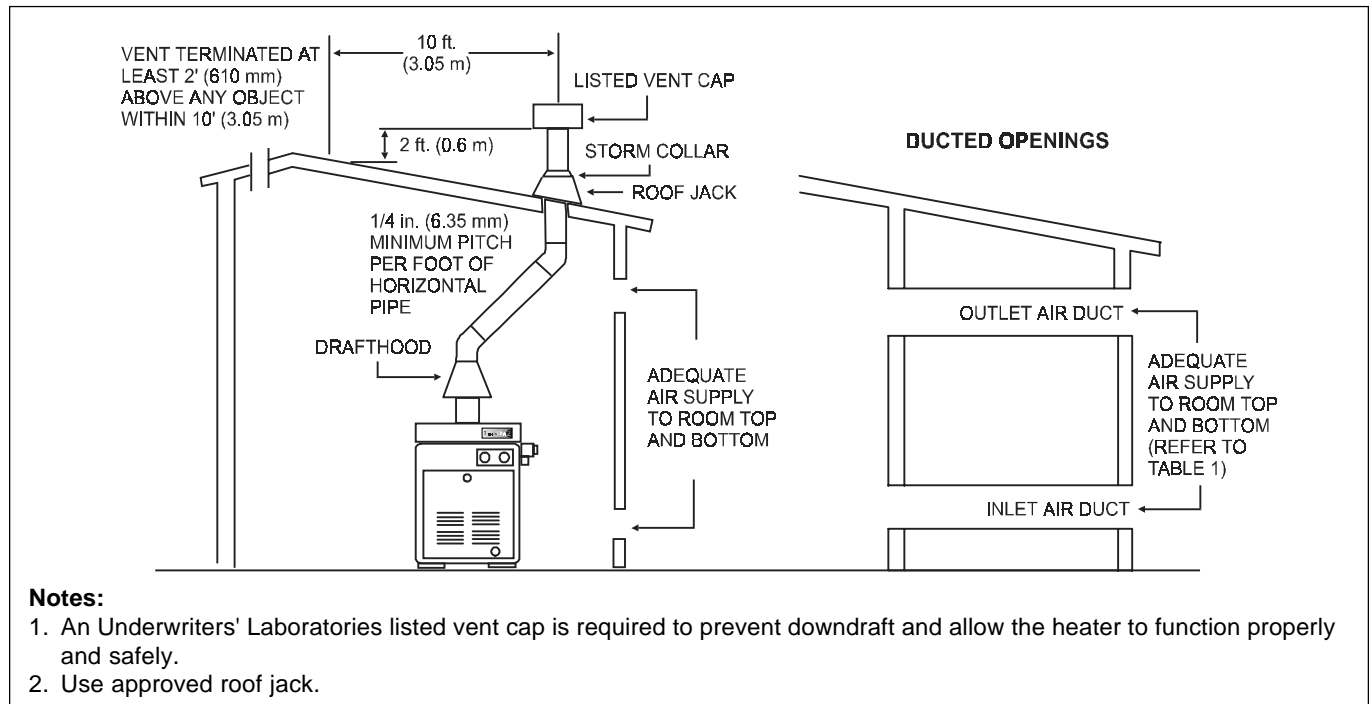


Figure 2. Indoor Installation Venting (USA), or Outdoor Shelter (Canada).

Table 1. Air Openings to Outside.

| Model | Required Net Free Open Area for Combustion Air Openings |                    |                   |                    |
|-------|---|--------------------|-------------------|--------------------|
|       | Direct from outside                                     |                    | Duct from outside |                    |
|       | in <sup>2</sup>   | (cm <sup>2</sup> ) | in <sup>2</sup>   | (cm <sup>2</sup> ) |
| 125   | 32  | (206)              | 64                | (413)              |
| 175   | 44  | (284)              | 88                | (568)              |
| 250   | 63  | (406)              | 126               | (813)              |
| 325   | 82  | (429)              | 164               | (1058)             |
| 400   | 100   | (645)              | 200               | (1290)             |

*Note: If using screens and/or louvers, compensate by adding 50% additional area to each opening.*

When a draft hood is used, it must be connected to a vent pipe which stops at least 2 feet (0.61 meters [m]) above the highest point of the roof or other object that is within 10 feet (3.05 m) from the vent termination. The vent pipe must have a listed vent cap which allows a full equivalent opening for flue products (see Figure 2).

## 2C. Site Location

**WARNING**  
 Improper installation or maintenance can cause nausea or asphyxiation from carbon monoxide in flue gases which could result in severe injury, or death.

### 2C-1. Installation Information

Avoid placing the heater in locations where it can cause damage by water or condensate leakage. If this is not possible, provide a suitable drain pan to catch and divert any leakage. The pan must not block natural flow of air around the heater.

Locate the heater so the clearances from combustible surfaces shown in Table 2 are met.

Table 2. Minimum Heater Clearances From Combustible Surfaces

| Side of Heater | Indoor (Outdoor Shelter) Installation |         |        |         | Outdoors Installation |        |        |        |
|----------------|---------------------------------------|---------|--------|---------|-----------------------|--------|--------|--------|
|                | U.S.                                  |         | Canada |         | U.S.                  |        | Canada |        |
|                | inch                                  | (cm)    | inch   | (cm)    | inch                  | (cm)   | inch   | (cm)   |
| Blank          | 6                                     | (15.2)  | 6      | (15.2)  | 6                     | (32)   | 6      | (15.2) |
| Rear           | 6                                     | (15.2)  | 6      | (15.2)  | 6                     | (32)   | 6      | (15.2) |
| Piping         | 12                                    | (30.5)  | 18     | (45.7)  | 12                    | (30.5) | 18     | (45.7) |
| Top            | 44                                    | (111.7) | 44     | (111.7) | Open Unroofed Area    |        |        |        |
| Front          | 18                                    | (45.7)  | 36     | (91.4)  | 18                    | (45.7) | 36     | (91.4) |

### 2C-2. Outdoor Installation

Laars Lite 2 heaters can be installed in the low-profile, grate top configuration (U.S.A. only) as received from the factory, or with an optional high wind vent cap/stack. Canadian units require a factory approved vent cap.

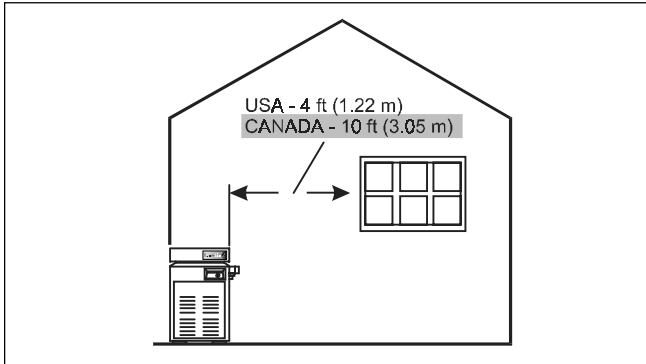


Figure 3. Outdoor Heater Installation.

Locate the heater in an **open, unroofed area**. Do not install the heater under a deck. Do not locate the heater below or adjacent to any doors, glass openings, louvers, grills, etc., which connect in any way with an inhabited area of a building, even though the access might be through another structure (e.g., a garage or utility room). In the United States there must be a minimum of 4 feet (1.22 m) horizontally or vertically between the heater and any door, glass opening, or gravity inlet to a building. In Canada this distance must be at least 10 feet (3.0 m) (see Figure 3).

#### **WARNING** United States

Do not install the heater with the top of the vent assembly within 4 feet (1.22 m) of any opening into a building.

#### Canada

Do not install the heater with the top of the vent assembly within 10 feet (3.05 m) of any opening into a building.

If the heater is installed under an overhang, there must be a minimum clearance of 5 feet (1.5 m) above the top of the heater and the structure should not overhang the heater more than 12 inches (0.30 m). The area under the overhang must be open on three sides. This prevents combustion gases from being diverted into living areas through doors, windows, or gravity inlets.

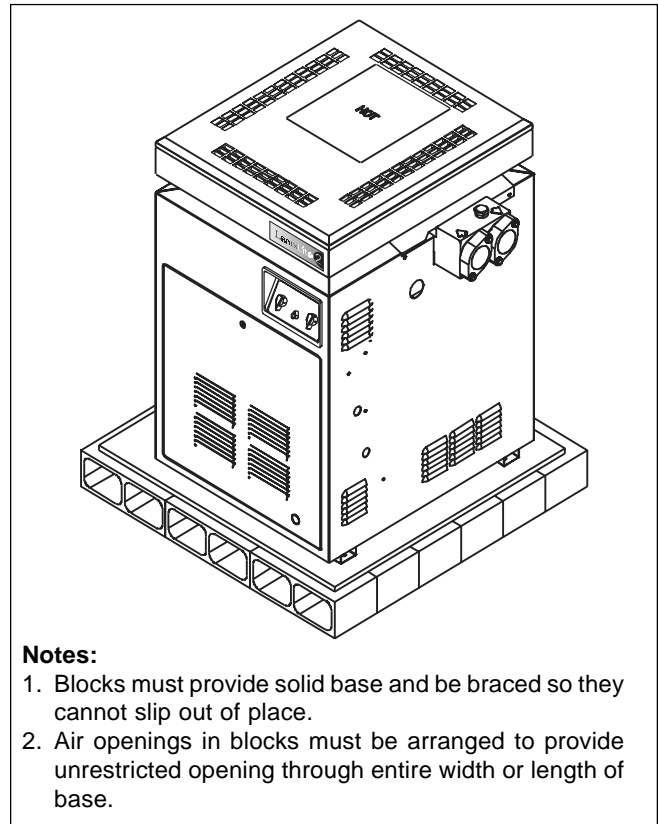
If the heater is installed close to a structure, protect it from rain water runoff with rain gutters on the roof or other measures. Do not locate the heater near sprinkler systems that could spray water on it.

Avoid locations where wind deflection off nearby structures might cause downdraft conditions. Where downdraft conditions exist, locate the heater at least 3

feet (0.91 m) from vertical surfaces (e.g., nearby buildings and walls). The addition of a vent cap may be necessary.

### 2C-3. Flooring - Typical Installation

**Do not** install the heater directly on a combustible wood or carpet floor without placing a noncombustible platform between the floor and the heater. In the United States, the National Fuel Gas Code allows a heater to be placed on a combustible surface when there is a platform under the heater made of hollow masonry no less than 4 inches (102 millimeters [mm])



#### Notes:

1. Blocks must provide solid base and be braced so they cannot slip out of place.
2. Air openings in blocks must be arranged to provide unrestricted opening through entire width or length of base.

Figure 4. Non-Combustible Platform.

thick, covered with sheet metal at least 24 gauge thick and extending beyond the full width and depth of the heater by at least 6 inches (76.2 mm) in all directions. The masonry must be laid with ends unsealed, and joints matched to provide free circulation of air from side to side through the masonry (see Figure 4). If the heater is installed in a carpeted alcove, the entire floor of the alcove must be covered by a noncombustible panel. You can obtain a noncombustible base from Waterpik Laars, see the Parts List (Sec. 4) of this manual.

### 2C-4. Indoor and Outdoor Shelter Installations

All indoor installations and outdoor shelter installations (Canada) require the addition of a factory approved drafthood. The drafthood must be installed

without modification and in accordance with all local, state, provincial and national codes.

Proper ventilation of exhaust and combustion air are essential for the safe operation of the heater.

## 2D. Combustion and Ventilation Air Supply

All indoor installations must have openings to outside air for combustion, ventilation, and dilution of flue gases from inside the building (see Figure 2 and Table 1). Waterpik Laars does not recommend indoor installations that do not provide combustion air from outside the building.

All outdoor shelter installations (Canada only) must have uninterrupted openings to outside air for combustion and ventilation. The installation must be in accordance with the latest edition of CAN/CGA B149. Waterpik Laars does not recommend outdoor shelter installations that depend on internal air for combustion. Combustion air should be ducted to the heater from outside the structure.

If the heater is installed in a residential garage, or where flammable vapors will be present, the burners must be 18 inches (457 mm) above the garage floor. Refer to the latest edition of the National Fuel Gas Code for more information. In Canada, refer to the latest edition of the Gas Installation Code, CAN/CGA B149.

## 2E. Gas Supply and Piping

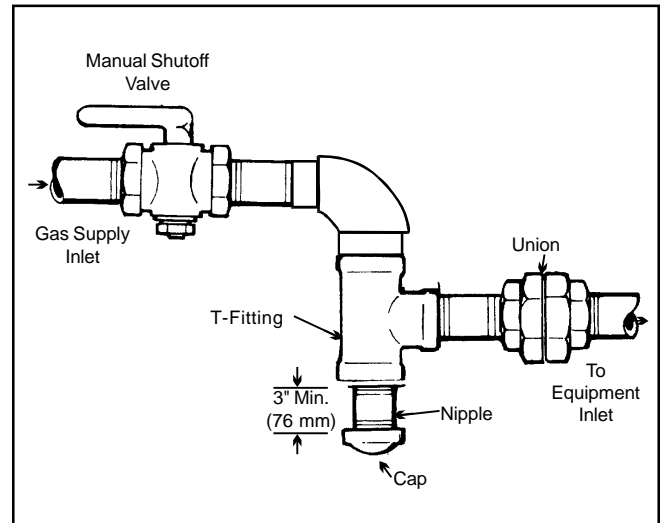
### 2E-1. General Instructions

Review the following general instructions before continuing the installation.

**⚠ WARNING**

Do not convert this heater from natural gas to propane gas, or propane to natural. Field conversion could create carbon monoxide gas which can cause property damage, serious injury, or death.

- Gas piping installation must be in accordance with the latest edition of ANSI Z223.1 and all local codes. In Canada, the installation must be in accordance with CAN- B149.1 or .2 and all local codes that apply.
- Check the rating plate to make sure the heater is fitted for the type of gas being used. Waterpik Laars heaters, as shipped from the factory, are certified to operate at an altitude of 0 to 3000 feet (0 to 915 m) for natural gas and 0 to 5000 feet (0 to 1525 m) for propane gas in the United States. Or if so ordered, at higher altitudes. For higher altitudes, the heater manifold is marked with a tag or sticker indicating one of the following high altitude operation codes:



**Figure 5. The proper design for a sediment trap / drip leg.**

- High altitude (H) - 3,000 to 6,000 feet (915 to 1,830 m) for natural gas and 5000 to 10,000 feet (1525 to 3050 m) for propane gas.
  - High altitude (J) - 6,000 to 10,000 feet (1830 to 3,050 m)
- In Canada, the heater rating plate is marked for specific altitude requirements: lo altitude is 0 to 2,000 feet (0 to 610 m) and high altitude (H) is 2,000 to 4,500 feet (610 to 1,370 m) above sea level for natural gas and 0 to 4500 feet (0 to 1370 m) for propane gas.
  - Use the figures in Table 3 to size the gas inlet piping from the gas meter to the heater. Check all local codes for compliance before installing the heater.

**Table 3. Natural Gas Pipe Size Requirements**

| Heater Size | Distance from Gas Meter |         |                       |         |                        |         |
|-------------|-------------------------|---------|-----------------------|---------|------------------------|---------|
|             | 0-50 feet (0-15 m)      |         | 50-100 feet (15-30 m) |         | 100-200 feet (30-60 m) |         |
|             | in.                     | (mm)    | in.                   | (mm)    | in.                    | (mm)    |
| 125         | 3/4                     | (19)    | 1                     | (25.4)  | 1                      | (25.4)  |
| 175         | 1                       | (25.4)  | 1                     | (25.4)  | 1-1/4                  | (31.75) |
| 250         | 1                       | (25.4)  | 1-1/4                 | (31.75) | 1-1/4                  | (31.75) |
| 325         | 1-1/4                   | (31.75) | 1-1/4                 | (31.75) | 1-1/2                  | (38)    |
| 400         | 1-1/4                   | (31.75) | 1-1/2                 | (38)    | 1-1/2                  | (38)    |

**Notes:**

- These numbers are for natural gas (0.65 Sp. Gr.) and are based on 1/2 inch (13 mm) water column pressure drop. Check supply pressure with a manometer, and local code requirements for variations. For liquefied petroleum gas, reduce pipe diameter one size, but maintain a 3/4 inch (13 mm) minimum diameter.
- Check supply pressure and local code requirements before proceeding with work.
- Pipe fittings must be considered when determining gas pipe sizing.

Table 4. Gas Supply Pressure Requirements

| Supply Pressure<br>Water Column | Natural Gas | Propane Gas |
|---------------------------------|-------------|-------------|
|                                 | in. (mm)    | in. (mm)    |
| Minimum                         | 5.5 (140)   | 10.0 (254)  |
| Maximum                         | 10.0 (254)  | 14.0 (356)  |

- Install a sediment trap (drip leg) ahead of the gas controls (see Figure 5). Fit the trap with a threaded cap which can be removed for cleaning.
- Install a manual gas shutoff valve for service and safety. Do not use a restrictive gas cock. **DO NOT USE FLEXIBLE GAS PIPING.**
- Disconnect the heater and its individual shutoff valve from the gas supply system during pressure testing of the system at pressures higher than 1/2 pounds per square inch (psi) (3.45 kilopascals [kPa]). If the test pressure is equal to or less than 1/2 psi (3.45 kPa), close the manual shutoff valve on the heater during the piping pressure test.

**⚠ Caution**

Permanent damage to the gas valve will occur if the following procedures are not followed.

- If the gas supply pressure is less than required, check for undersized pipe between the meter and the heater, a restrictive fitting, or an undersized gas meter. Gas supply pressures to the heater are listed in Table 4.

**NOTE:** The maximum inlet gas pressure must not exceed the specified value. The minimum value listed is for the purpose of input adjustment. Refer to Table 4.

- Before operating the heater, test the complete gas supply system and all connections for leaks using a soap solution. Do not use an open flame.

**⚠ Caution**

Some leak test solutions (including soap and water) may cause corrosion or stress cracking. Rinse the piping with water after testing.

## 2E-2. Special Precautions for Propane Gas

Liquefied petroleum (LP) gas is heavier than air. Therefore, do not install pool heaters using LP gas in pits or locations where gas might collect. Locate heaters a safe distance from LP gas storage and filling equipment. Consult local codes and fire protection authorities about specific installation restrictions.

## 2F. Electrical Wiring

**⚠ Caution**

Label all wires prior to disconnection when servicing controls. Wiring errors can cause improper and dangerous operation. Verify proper operation after servicing.

**⚠ Attention**

Au moment de l'entretien des commandes, étiquetez tous les fils avant de les débrancher. Des erreurs de câblage peuvent entraîner un fonctionnement inadéquat et dangereux.

### 2F-1. General Information (LD Only)

Wiring connections must be made exactly as shown in the wiring diagram found on the inside of the heater (see Figures 6 and 7 for typical examples). The heater must include a definite means of grounding. There is a bonding lug on the right side of the heater, where a bond wire must be attached.

**The heater comes factory-wired intended for use with 240 Volt, 60 Hz AC field electrical supply. To use 120 Volt, 60 Hz AC requires rewiring of the heater.** This should be done by a certified electrician only, as with all wiring. To wire the heater for 120 Volt, 60 Hz AC, follow the alternate 120V wiring method depicted in Figure 6. Additionally, the ignition control module must be rewired. The wire from the terminal marked IGN/240 must be removed from that terminal and placed on the terminal marked IGN/120.

Electrical wiring must be in accordance with the latest edition of the National Electric Code (NEC), ANSI/National Fire Protection Association (NFPA) 70, unless local code requirements indicate otherwise.

To wire the Laars Lite 2 model LD heater to a 120V or 240V /60 Hertz (Hz) electrical source:

- Remove the screw located to the lower right side of the transformer and open the hinged cover of the wiring enclosure.
- Connect the wires from the power source to the leads on the right side of the heater in the space behind the ignition control (see Figure 8). Be sure to follow the wiring diagram on page 7 to configure the transformer for the correct input voltage.
- Attach the ground wire to the green ground screw located on the back panel of the wiring enclosure.
- Close the cover of the wiring enclosure and replace the screw to hold it in place.
- Connect a bonding wire (8 ga copper) to the bonding lug on the right side of the heater.

**NOTE:** No external junction box is required.



# MODEL LD WIRING DIAGRAM

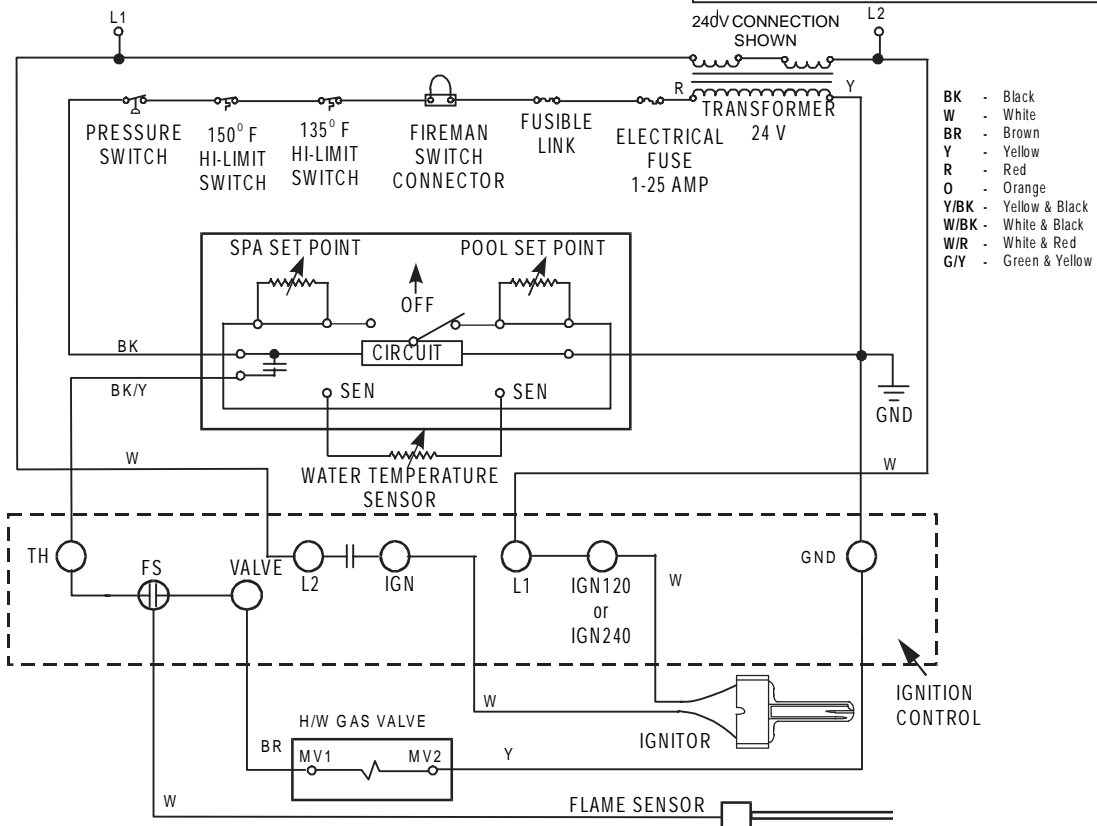
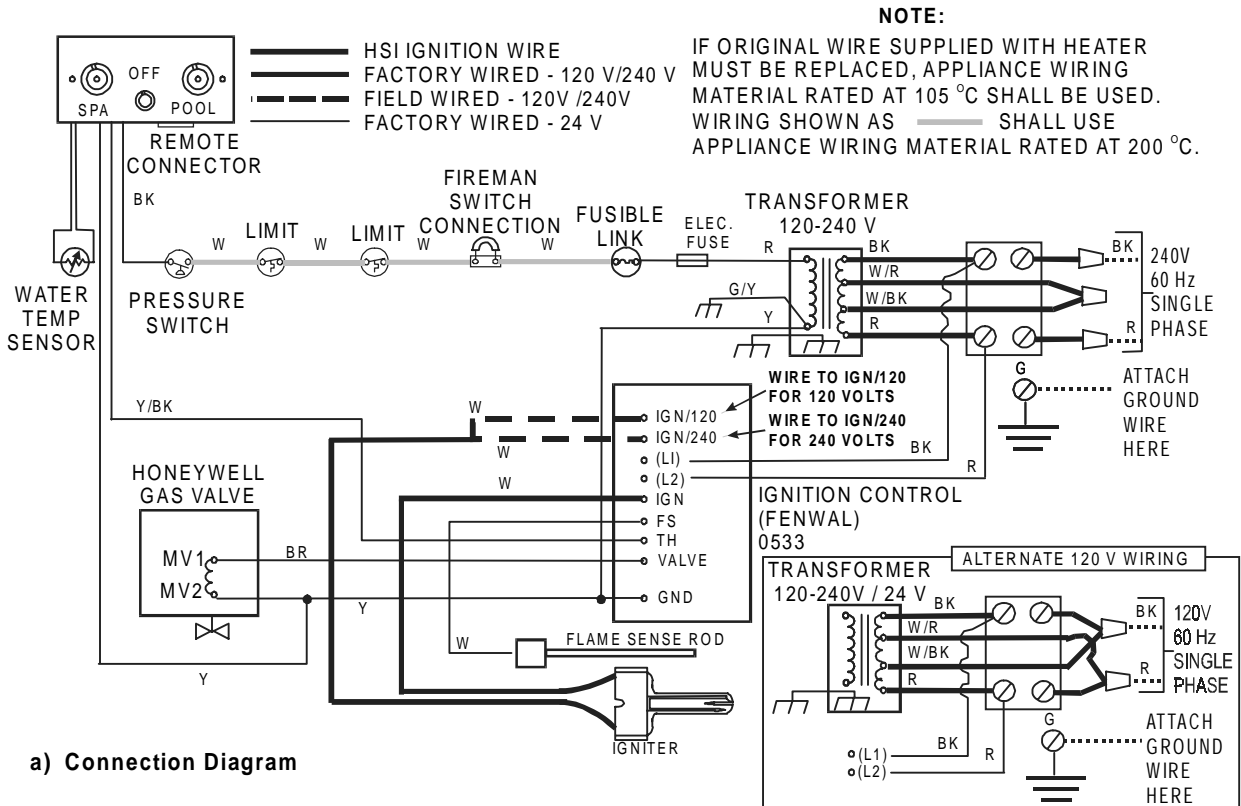


Figure 6. LD Connection/Schematic Wiring Diagram. H0236300-

**2F-2. Auxiliary Time Clock Wiring (LD)**

If you install a time clock to control the filter pump operation, it is recommended that the time clock have its own low voltage (Fireman's) switch to turn off the heater before turning off the pump. The switch should shut off the heater about 15 minutes before the filter pump shuts off. This will allow for a more

efficient operation by removing any residual heat contained in the heat exchanger back to the pool.

**⚠ Caution**

Do not provide power to the heater from the high voltage side of the time clock. Doing so may cause damage to the heater or surrounding plumbing.

**MILLIVOLT HEATER WIRING DIAGRAM**

**Connection Diagram**

- BK - Black
- W - White
- Y - Yellow
- R - Red
- O - Orange

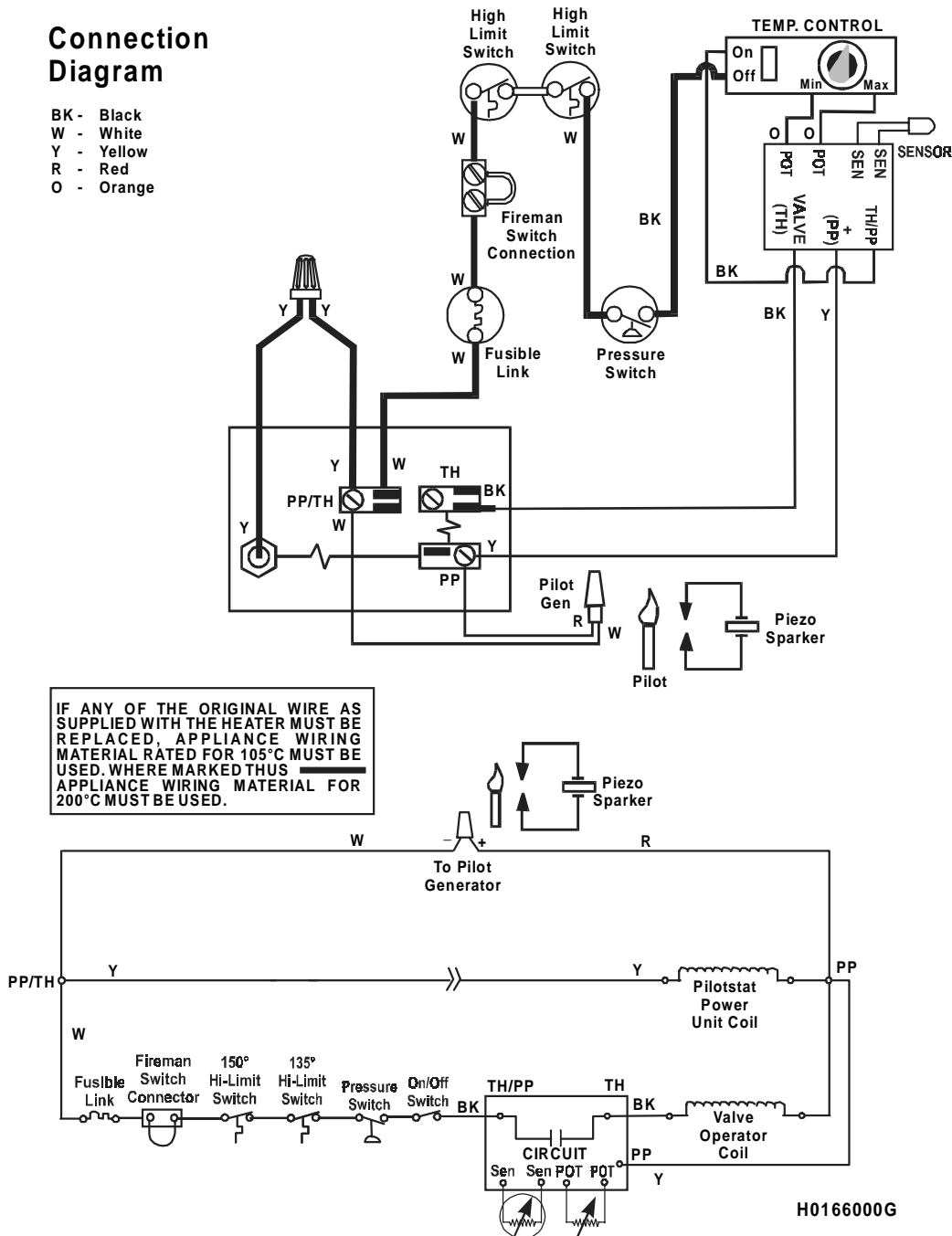
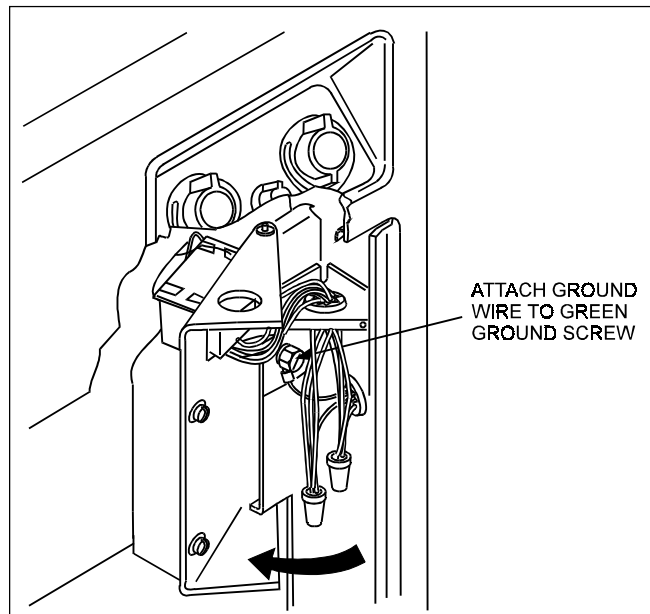
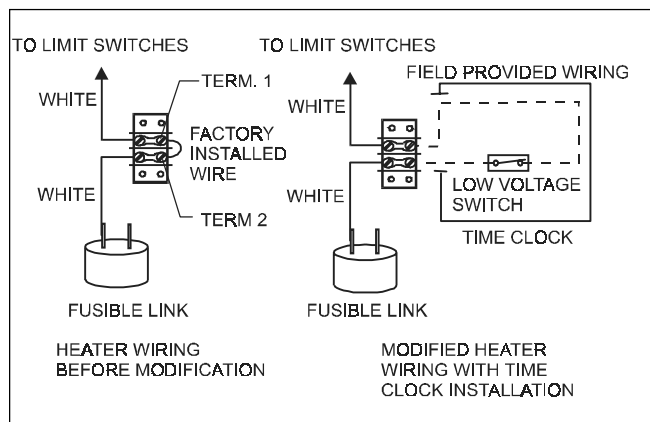


Figure 7. LG Connection/Schematic Wiring Diagram



**Figure 8. Field Wiring Connections (LD).**



**Figure 9. Time Clock Wiring.**

To install a time clock auxiliary switch into the heater wires (see Figure 9):

1. Remove heater door.
2. Remove the factory installed wire between terminals 1 and 2 on the terminal strip (see Figure 9).
3. Connect the wires from the time clock auxiliary switch to the two terminals. Use American Wire Gage (AWG) No. 14 gauge stranded copper wire with a temperature rating of 221°F (105°C) or greater.

The length of the wire between the heater and the time clock should not exceed 10-15 feet (4.57 m). The contact points of the time clock switch should be silver, or a low resistance alloy.

### 2F-3. Remote Operation (Model LD Only)

The Laars Lite 2 pool/spa heater controls can be wired for remote operation. The CS-02 remote control permits switching from one temperature controller to the other and turning the heater on and off from a remote location. The CS-04 includes the same features as the CS-02 plus a remote temperature controller. Contact Waterpik Laars for further information. Reference part numbers CS-02 and CS-04.

An interrupt (on/off) type remote can be connected by removing the jumper wire on the terminal block located in the control compartment (see Figure 6) and connecting the two wires from the remote to the two terminals on the terminal block. This type of remote control will turn the heater on or off, but will not switch between the two temperature controllers on the temperature control panel or allow for temperature adjustments.

To connect a 3-wire remote (not supplied by Waterpik Laars) to a Laars Lite 2 LD heater, order a wire harness assembly (part No. E0120000) which connects to the temperature control panel. Installation instructions are included with the wire harness assembly.

Consult with Waterpik Laars Service Department with questions about installing remotes other than Waterpik Laars.

## 2G. Water Flow System

### 2G-1. Flange Installation

The heater has 2" NPT universal header couplings. You can connect threaded 2" NPT iron pipe, unthreaded 1-1/2" iron pipe, 1-1/2" or 2" copper pipe without an adapter (see Figure 10).

Plastic piping (PVC Schedule 40) can be connected to the heater if local codes allow it, by using the CPVC nipples included with your heater.

To install plastic piping (see Figure 11):

1. Remove CPVC nipples from plastic bag.
2. Screw CPVC nipples into metal flange until tight, using teflon tape on plastic threads.
3. Attach PVC plumbing to CPVC pipes using PVC to CPVC cement only.

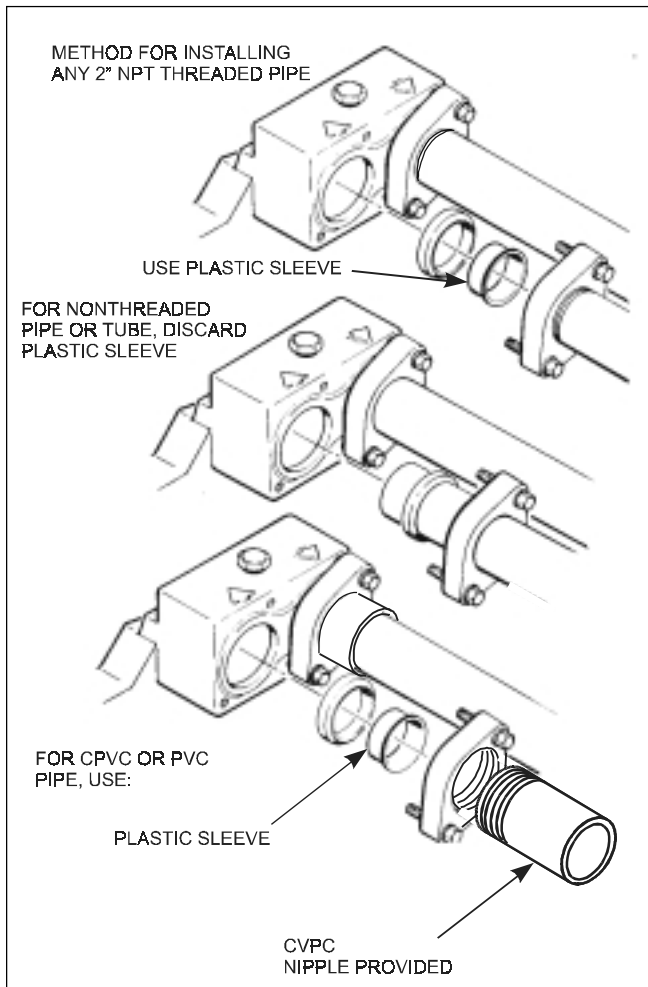


Figure 10. Piping installation.

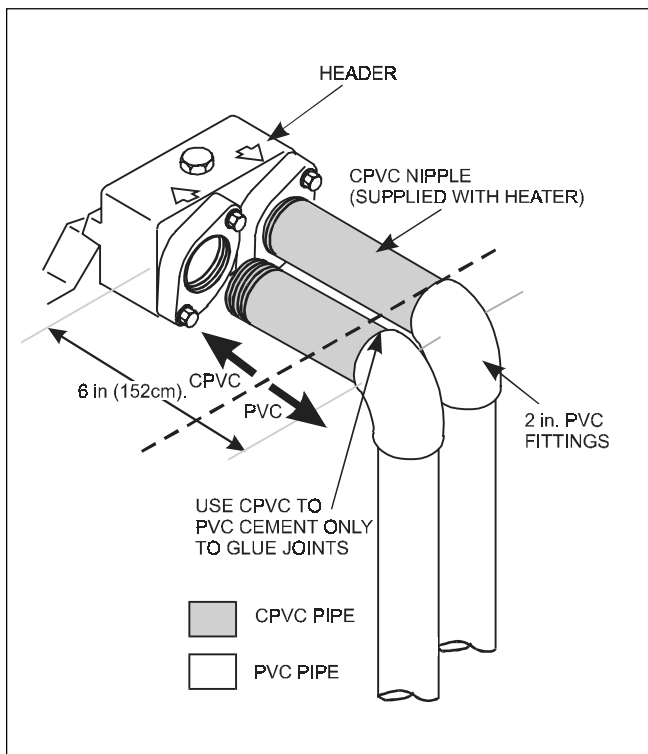


Figure 11. Plastic piping connections.

### 2G-2. Reversible Water Connections

Waterpik Laars ships the Laars Lite 2 heater with the water connections on the right side. The Laars Lite 2 heater can be installed with the water connections on either side. It could be necessary, or helpful, to switch the connections to the left side to improve access for installation and service. Perform this modification before installing the heater using the following procedures:

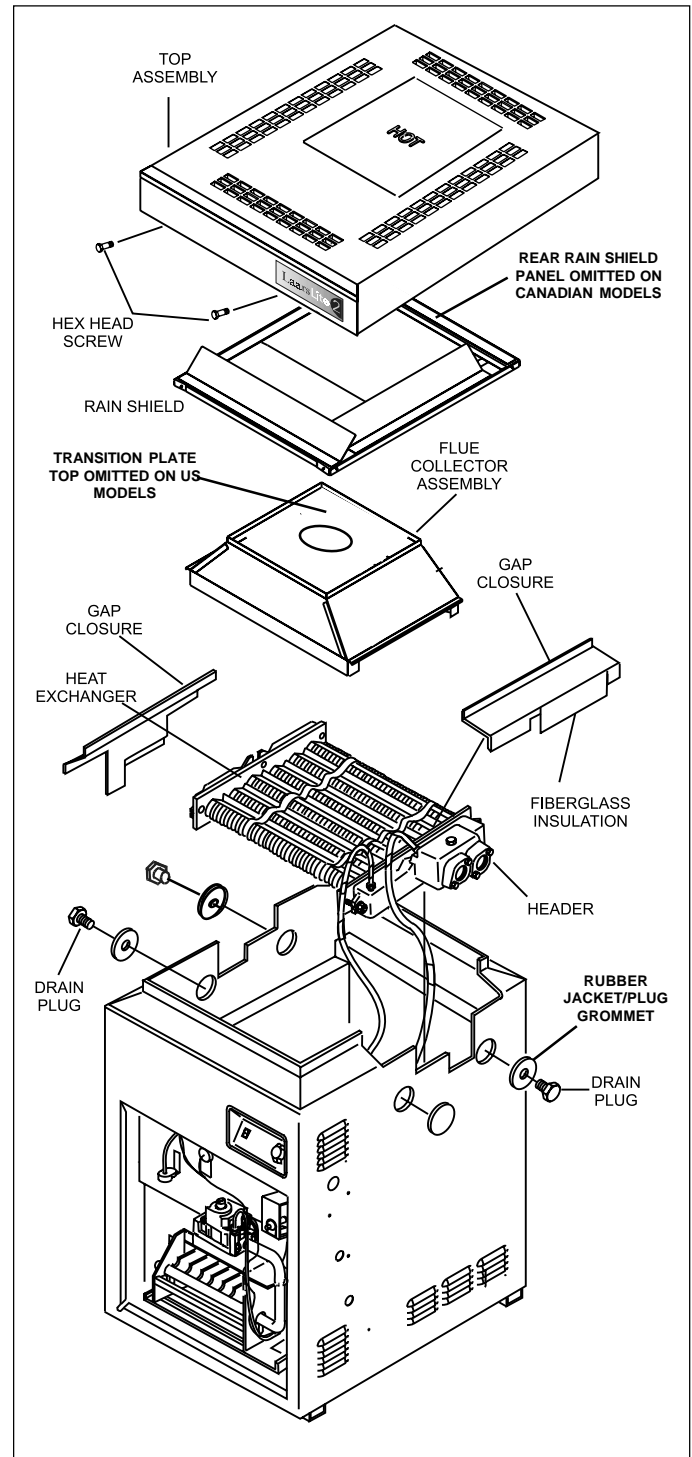


Figure 12. Heat exchanger reversal.

1. Remove heater door.
2. If there is a vent cap or draft hood (indoor) on top of the heater, remove it.
3. Remove all 8 hex-head screws fastening the top and lift the top assembly straight up (see Figure 12).
4. Remove rainshield assembly and set it aside.
5. Remove screws that fasten the gap closures to the jacket and put them aside. Remove gap closures.
6. Remove the screws securing the two flue collector hold down clamps and remove the clamps (see Figure 13). Remove flue collector.
7. Remove the three rubber jacket/plug grommets and drain plugs (see Figure 12). One is located under the water connections on the right side. The other two are on the left side toward the front of the heater.
8. Tag and disconnect the white wire on the pressure switch (PS) and the white wire on the Fireman's switch terminal (see Figure 6 or 7) which leads to the high limit switch.
9. Remove plastic tie wraps and pull the white wires out of the front compartment through the vestibule cover and coil them on the heat exchanger.
10. Unscrew the brass compression fitting securing the pressure switch to the inlet/outlet header. Remove tube from header and gently bend it out of the way.
11. Loosen the screw securing the temperature sensing bulb retainer bracket. Slide the retainer bracket off the bulb flange and remove the bulb from the header

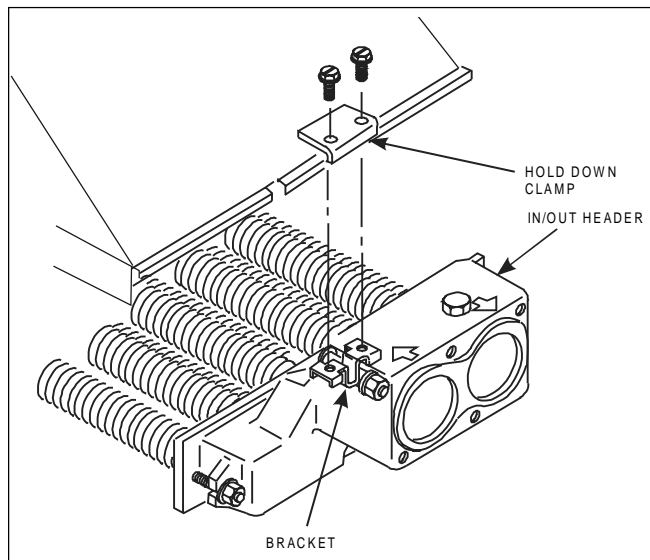


Figure 13. Flue collector hold-down brackets.

(see Figure 14). Pull pressure switch tube through the hole in the vestibule cover and into the vestibule (controls compartment), then pull thermostat bulb assembly through same hole (see Figure 15).

12. When removing the heat exchanger from the heater, the end baffles of the heat exchanger must be removed. There are two baffles covering part of the front and rear tubes of the heat exchanger. Each baffle is held in place by two screws which mount to the top of the combustion chamber wall. Remove the screws and the baffles before attempting to lift the heat exchanger out of the heater (see Figure 16).

**⚠ Caution**  
It may be necessary to have help lifting the heat exchanger out and replacing it.

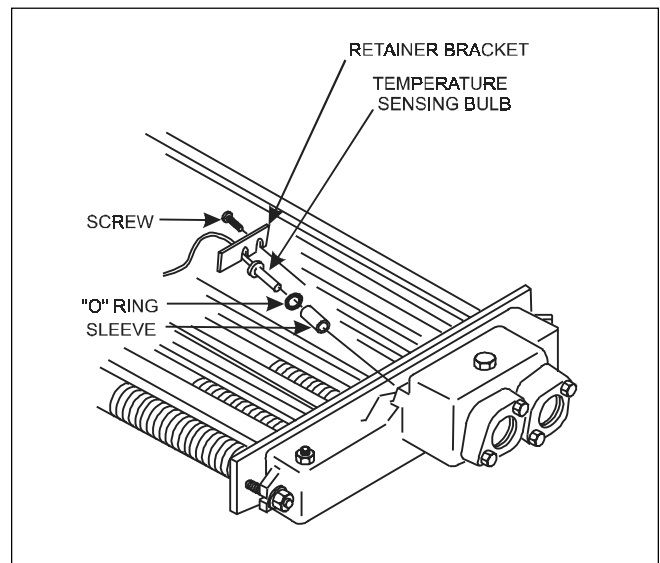


Figure 14. Temperature sensing bulb.

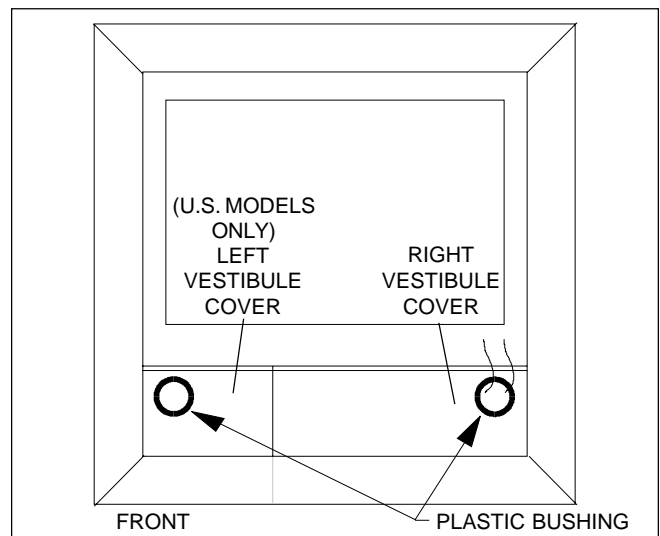
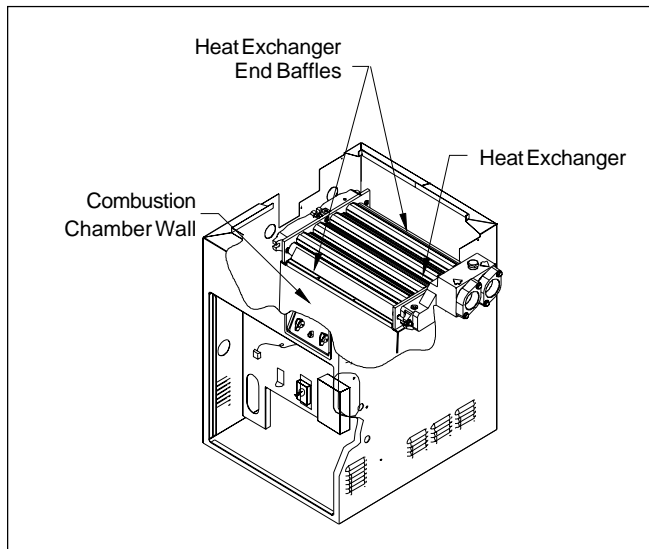


Figure 15. Vestibule covers.



**Figure 16. Heat exchanger and end baffles.**

13. Lift the heat exchanger assembly out of the heater. Reinstall heat exchanger 180 degrees (inlet/outlet header left) from its original position.
14. After replacing the heat exchanger into the heater, the end baffles must be replaced. Each one is held in place by two screws which mount to the top of the combustion chamber wall. Reinstall the baffles on the front and rear of the heat exchanger before continuing with the "Reversible Water Connections" procedure.
15. Remove pressure switch retainer (plastic cable clamp) from the inner panel (allow pressure switch to float).
16. On U.S. models reroute pressure switch tube and thermostat bulb assembly through hole in left side of vestibule cover in reverse order. Canadian models have no cover on the left side of the vestibule. Relocate the pressure switch tube and temperature sensor through the open side of the vestibule.
17. Reinstall the temperature sensing bulb in the header, and fasten it with the retainer bracket and screw.
18. Reinstall the compression fitting at end of pressure switch tube into inlet/outlet header and tighten the fitting.
19. Route the white wiring from the high limit switches beside the heat exchanger and down to the original location following the pressure switch tubing. Secure white wires to the pressure switch tube with plastic wire ties.
20. Connect the white wire labeled PS to the pressure switch and the other white wire to its original location on the Fireman's switch.
21. Reinstall the drain plugs and tighten securely. Replace jacket/plug grommets.
22. Install the flue collector assembly. Be sure the front and rear panels of the flue collector are installed into the grooves on the front and rear combustion chamber heat shield panels. Be sure the sheet metal panels are not pinching any wires.
23. Attach the flue collector hold down clamps to the clips located under the two center header bolts.
24. Replace the gap closures and tighten the screws securely.
25. Double-check to make sure the wiring is not pinched against sharp edges, or resting on the flue collector assembly.
26. Reinstall rainshield assembly.
27. Replace the top assembly. Make sure the tabs are outside the heater jacket. Fasten the top assembly with the hex-head screws.
28. Install plastic tie wraps on wiring in the vestibule (controls compartment).
29. Install heater door.
30. Reinstall the vent cap or draft hood, if one was removed.

### **2G-3. Check Valve Installation**

Install a check valve if there is any chance of back-siphoning when the pump stops. Do not install any other valve in the piping between the heater outlet and the pool, unless it is being used as a diverter valve.

### **2G-4. Chlorinators, Ozone Generators, and Sanitizing Chemicals**

The Waterpik Laars Lite 2 heater is manufactured with materials that are not compatible with high concentrations of ozone, chlorine, bromine, or other sanitizing chemicals. Heater damage caused by excessive chemicals or improper ozonization is not covered by the Waterpik Laars warranty. Be sure to adhere to the following:

- When ozone is injected upstream of the heater, install an offgas mixing chamber, or an ozone bypass system between the heater and the ozone injector to prevent ozone and air from entering the heater.

- When chemical feeders are used, plumb the feeder downstream of the heater and install an in-line check valve between the heater and the feeder (a minimum of 18" is required between the heater and the check valve).
- Never deposit chemicals directly in the pool skimmer.

**2G-4a. Water Chemistry**

Proper chemical balances are necessary for sanitary bathing conditions as well as ensuring your heater's long life. Be sure to keep your chemical levels within the values indicated in Table 7. **Waterpik Laars does not warrant heat exchangers damaged by corrosive chemical levels or excess dissolved solids in pool or spa water.**

For spas, it is also necessary to perform water changes in addition to chemical treatment. It is recommended to change the spa water every 60 days for light usage and every 30 days if usage is heavy.

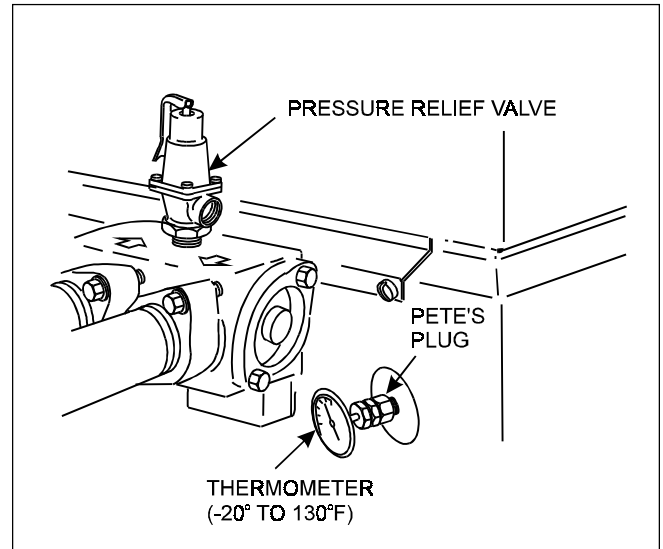
**Table 7. Mineral Concentration Levels**

| Test                             | Recommended Level  |
|----------------------------------|--------------------|
| Free chlorine                    | 1.0 to 3.0 ppm     |
| Bromine                          | 3.0 to 5.0 ppm     |
| pH                               | 7.2 to 7.8         |
| Total alkalinity (TA)            | 80 to 120 ppm      |
| Calcium hardness (CH)            | 200 to 400 ppm     |
| Langelier saturation index (LSI) | -0.5 to +0.5       |
| Total dissolved solids (TDS)     | Less than 2000 ppm |
| Cyanuric acid                    | 30 to 150 ppm      |
| Copper                           | 0 ppm              |

**2G-5. Pressure Relief Valve**

A pressure relief valve is not furnished with the Laars Lite 2 heater. However, it is recommended that a pressure relief valve be installed and may even be required by local codes.

To install a pressure relief valve, remove the 3/4 inch (19 mm) brass plug located on the top of the inlet/outlet header (see Figure 17). Install the pressure relief valve in the threaded hole from which the plug was removed. The pressure rating of the valve should be at or below the lowest working pressure of any component in the filter system. Any pressure relief valve installed must comply with provisions of the Standard described in ANSI Z21.22 for the United States, or CAN1-4.6 in Canada.



**Figure 17. Thermometer and pressure relief valve.**

**2G-6. Adjusting the Pressure Switch**

**⚠ Caution**

The pressure switch should be adjusted to turn the heater off when the pump is off. Setting the switch to close at too low of a flow can damage the appliance. Adjust the switch to turn the heater off, not on.

The pressure switch is preset at the factory for activation at 2 psi (14 kPa). Adjust the pressure switch only if any part of the filter system piping is 3 feet (0.91 m) or more above the top of the heater jacket.

Do not adjust the pressure switch if the heater is installed more than 15 feet (4.57 m) below or 6 feet (1.83 m) above the pool surface. Consult your local Waterpik Laars representative for recommendations.

On some installations, the piping from the heater to the pool is very short. The back pressure could be too low to trigger the pressure switch. If this happens, it may be necessary to install a directional fitting or elbows where the return line enters the pool. This will increase back pressure enough for the heater to operate properly.

Make sure the pool filter is clean before making any pressure switch adjustment: A dirty filter will restrict the water flow and the pressure switch cannot be adjusted properly. To adjust the pressure switch:

1. Set the control panel rotary switch (LD) or the control panel rocker switch (LG) to the OFF position (see Figure 18).
2. Set the Pool temperature control to the Max position.
3. Turn filter pump on. If a two-speed pump is used, make sure it is at high speed.

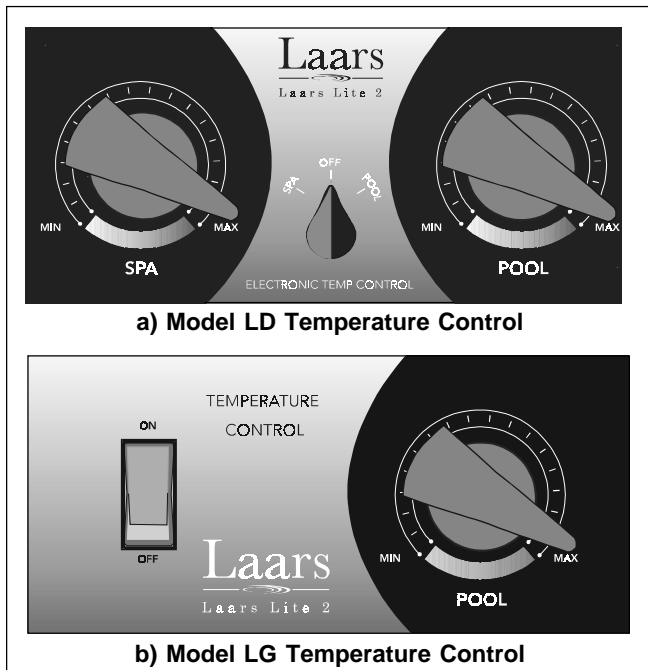


Figure 18. Temperature controls.

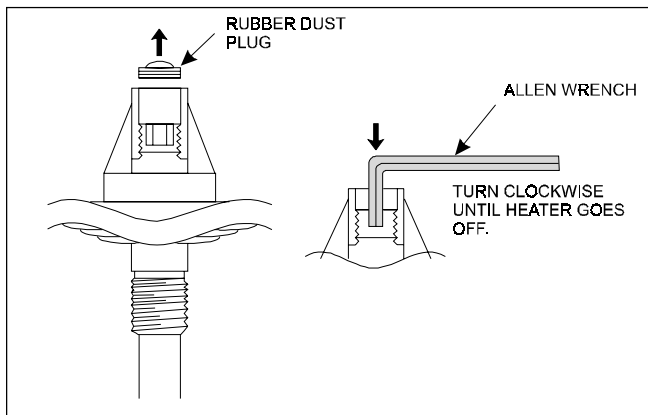


Figure 19. Pressure switch adjustment.

**NOTE:** Heater should not be allowed to fire on low speed.

4. Turn rotary switch (LD) or rocker switch (LG) to ON. Heater should start.
5. Pry out the top rubber dust plug on the top of the pressure switch.
6. Use a 7/32 inch (5.55 mm) Allen wrench to turn the adjustment screw very slowly clockwise until the heater goes off (see Figure 19).
7. Slowly turn the pressure switch adjustment screw **counterclockwise** one-quarter turn. The heater should come back on.
8. Check the adjustment by turning the filter pump OFF. The heater should shut off immediately. If it does not, restart the filter pump and repeat Steps 6 and 7. Check the adjustment again.
9. Return the pool temperature control to the desired temperature.

### 2G-7. Automatic Flow Control Valve

The automatic flow control valve maintains the proper flow through the heater at rates up to approximately 125 Gallons Per Minute (GPM) (474 liters per minute [LPM]). If the system filter-flow rate is higher than approximately 125 GPM (474 LPM), install a manual bypass valve (see Figure 20), then perform a temperature rise test (see Section 2G-8) and adjust the flow using the bypass valve until the proper temperature rise is obtained.

### 2G-8. Temperature Rise

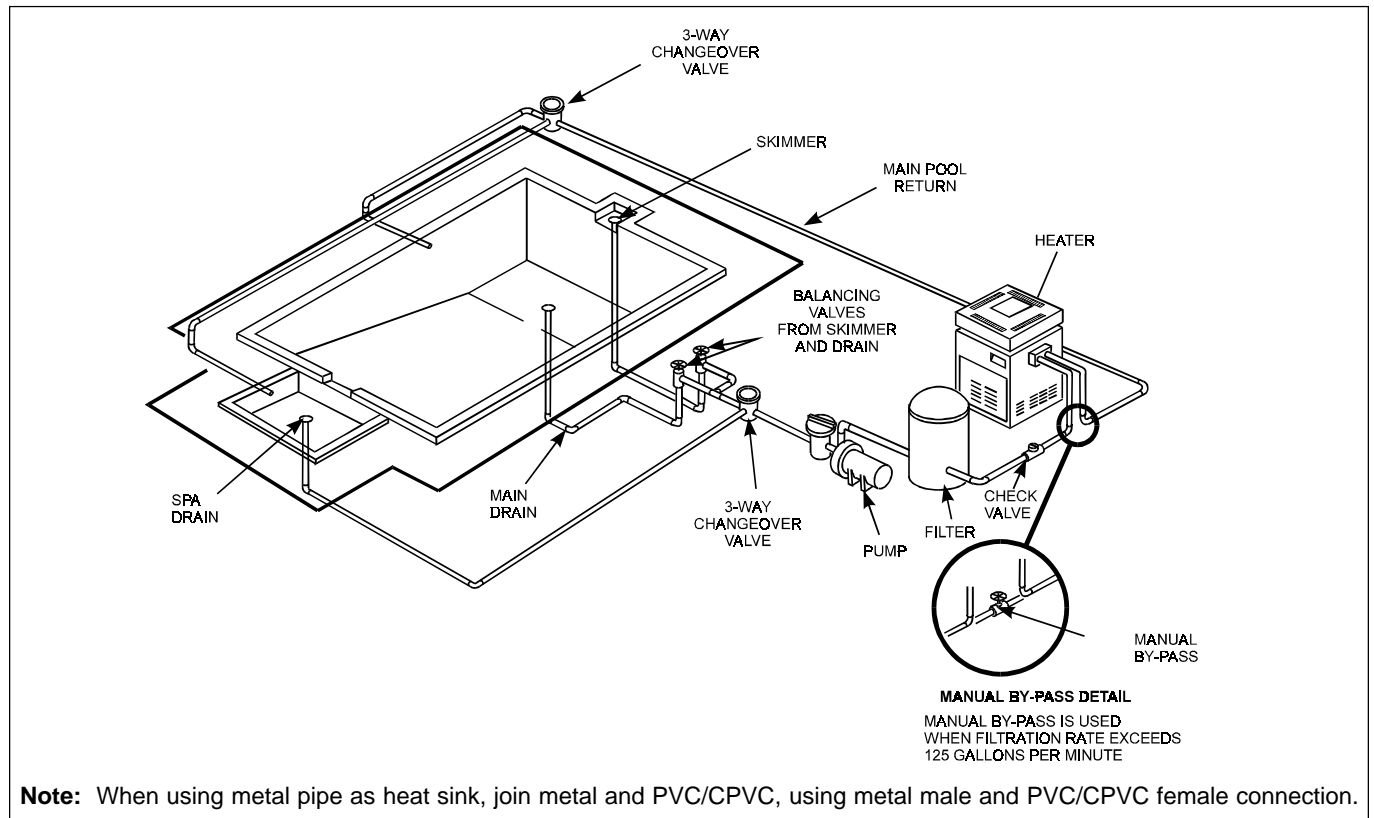
A temperature rise test confirms proper water flow through the heater. The temperature rise is the difference between the temperature of the pool or spa water before and after heating, as measured in the header. Perform the following temperature rise test when the installation is complete:

1. Make sure the pool filter is clean.
2. Set the rotary switch (LD) or rocker switch (LG) on the temperature control panel (see Figure 18) to OFF.
3. Turn the filter pump off.
4. Remove the drain plug located on the inlet/outlet header of the heater and replace it with a Pete's plug (see Figure 17).
5. Insert a pocket thermometer (see Figure 17) through the Pete's plug into the header.
6. Turn the filter pump on and wait 3 minutes. The heater remains off. This allows water from the pool to reach the heater.
7. Record the temperature indicated by the thermometer (cold water).
8. Turn the heater ON following the lighting instructions found on the inside of the heater.
9. Allow the heater to run for about 3 minutes. Record the new temperature reading (heated water).
10. Subtract the first temperature reading (cold water) from the second temperature reading (heated water). The difference between the two readings is the **temperature rise**. The temperature rise should be within the range shown in Table 6.

Table 6. Temperature Rise and Minimum Flow Rates

| Size | Minimum |       | Minimum |      | Maximum |      |
|------|---------|-------|---------|------|---------|------|
|      | GPM     | (LPM) | °F      | (°C) | °F      | (°C) |
| 125  | 20      | (76)  | 27      | (15) | 36      | (20) |
| 175  | 20      | (76)  | 33      | (19) | 42      | (24) |
| 250  | 25      | (95)  | 33      | (19) | 42      | (24) |
| 325  | 30      | (114) | 28      | (16) | 38      | (21) |
| 400  | 30      | (114) | 30      | (17) | 39      | (22) |





**Figure 20. Typical installation.**

11. If the temperature rise is below the minimum range indicated, two possibilities arise:
  - a. The supply gas volume is too low.
  - b. The system's water flow exceeds 125 GPM (474 LPM), and requires a manual bypass valve for proper operation (see Figure 19).
12. If the temperature rise is above the maximum, there is not enough water flowing through the heater. Check for clogging in the water filter or restriction in the water pipes.

**⚠ Caution**

Operation with the temperature rise above maximum or below the minimum can damage the heater and may void the warranty.

13. If the temperature rise is within the correct range, complete the procedure as follows:
  - a. Turn heater off.
  - b. Wait 3 minutes, turn filter pump off.
  - c. Remove thermometer and Pete's plug.
  - d. Replace the drain plug.

**2G-9. Adjusting the Manual Bypass Valve**

After the manual bypass valve is installed, use the following procedures to adjust the bypass valve:

1. Clean pool filter.
2. Remove drain plug located on the inlet/outlet header of the heater and replace it with a Pete's plug.
3. Insert a pocket thermometer (see Figure 17) through the Pete's plug into the header.
4. Close manual bypass valve.
5. Turn rotary switch (LD) or the rocker switch (LG) on the temperature control to the OFF position.
6. Repeat steps 6 through 10 of the temperature rise test (see Section 2G-8).
7. If the temperature rise is below the minimum stated in Table 6, open the manual bypass valve until temp rise climbs between the min. and max. range for your size heater. If the minimum temperature rise stated in Table 6 cannot be reached with the manual bypass fully open, then the gas supply volume is too low.
8. If the temperature rise is above the maximum, there is not enough water flowing through the heater. Check for clogging in the water filter or restriction in the water pipes.

9. Once the temperature is within the correct range, safety wire the handle of the manual bypass valve in place and tag the valve to prevent change in the water flow.

## SECTION 3. Operating Instructions

### 3A. General Information

With any new pool or spa installation, operate the filter pump with the heater off long enough to completely clean the water. This will remove any installation residue from the water. Clean the filter at the end of this operation before starting the heater. When raising the temperature of a cold pool, remove all time clock settings. This lets the filter system and heater operate continuously until the water reaches the temperature setting on the temperature control. When that happens, the heater will automatically shut off, but the filter pump will keep running.

#### Caution

Do not use this heater if any part has been under water. Immediately call a qualified service technician to inspect the heater and replace any part of the control system and any gas control which has been under water.

#### Attention

N'utilisez pas cet appareil s'il a été plongé dans l'eau, même partiellement. Faites inspecter l'appareil par un technicien qualifié et remplacez toute partie du système de contrôle et toute commande qui ont été plongés dans l'eau.

#### Caution

Should overheating occur or the gas supply fail to shut off, turn off the manual gas control valve to the heater.

#### Attention

En cas de surchauffe ou si l'alimentation en gaz ne s'arrête pas, fermez manuellement le robinet d'arrêt de l'admission de gaz.

#### Caution

Keep all objects off the top of the heater. Blocking air flow could damage the heater, and may void the warranty.

#### WARNING

Vent pipes, drafthoods, and heater tops get hot! These surfaces can cause serious burns. Do not touch these surfaces while the heater is in operation. Adding a vent cap reduces the temperature on the top.

#### WARNING

For your safety, when starting the heater, keep your head and face well away from the lower firebox opening to prevent any risk of personal injury.

### 3B. Lighting and Shutdown Procedures

**NOTE:** If your LP tank runs out of fuel, turn off gas at the heater. After the tank is refilled, the heater must be relit following the instructions found on the inside of the heater. DO NOT attempt repairs on the gas control or heater. Tampering is dangerous and voids all warranties.

**3B-1. Model LD (see Page 17).**

**3B-2. Model LG (see Page 18).**

### 3C. Setting the Temperature Control

The temperature control (see Figure 18) is calibrated at the factory and covers a range from approximately 70°F to 104°F (21°C to 40°C). Use an accurate pool thermometer to determine the best water temperature for your uses.

The Laars Lite 2 model LD has dual temperature controls, which allows two different temperature settings, selected by the rotary switch in the middle of the panel. One control can be set for normal use and the other for standby; or one can be set for pool and the other for a spa. Placing the rotary switch in the middle turns off the heater (see Figure 18). The model LG has only a single control and is set similarly to the LD above.



**IMPORTANT:** The temperature controls cannot be calibrated in the field. If the control is faulty, shut down the heater and have a qualified service technician replace the control. DO NOT use the thermostat switch to completely shut down the heater.

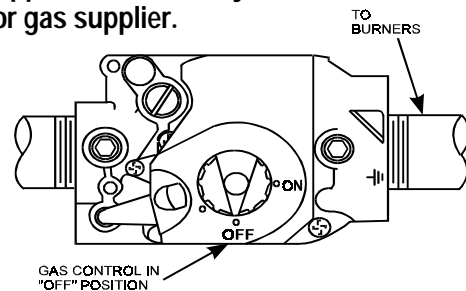
**3B-1. Model LD (Direct Ignition)****FOR YOUR SAFETY READ BEFORE OPERATING**


**⚠ WARNING:** If you do not follow these instructions exactly, a fire or explosion may result, causing property damage, personal injury or loss of life.

- A. This appliance does not have a pilot light. It is equipped with an ignition device which automatically lights the heater. Do NOT try to light the burners by hand.
- B. BEFORE OPERATING, smell all around the appliance area for gas. Be sure to smell next to the floor because some gas is heavier than air and will settle on the floor.
- WHAT TO DO IF YOU SMELL GAS**
- Do not try to light any appliance
  - Do not touch any electric switch; do not use any phone in your building.
  - Immediately call your gas supplier from a neighbor's phone. Follow the gas supplier's instructions.
- If you cannot reach your gas supplier, call the fire department.
- C. Use only your hand to push in or turn the gas control knob. Never use tools. If the knob will not push in or turn by hand, don't try to repair it, call a qualified service technician. Force or attempted repair may result in a fire or explosion.
- D. Do not use this appliance if any part has been under water. Immediately call a qualified service technician to inspect the appliance and to replace any part of the control system and any gas control which has been under water.

**OPERATING INSTRUCTIONS**

1. STOP! Read the safety information above on this label.
2. Set the thermostat to lowest setting and turn appliance switch to "OFF".
3. Turn off all electric power to the appliance.
4. This appliance is equipped with an ignition device which automatically lights the heater. Do not try to light the burners by hand.
5. Remove the heater door.
6. Turn gas control knob clockwise  to "OFF".
7. Wait five (5) minutes to clear out any gas. Then smell for gas, including near the floor. If you smell gas, STOP! Follow "B" in the safety information above on this label. If you don't smell gas, go to next step.
8. Turn gas control knob counterclockwise  to "ON".
9. Replace control access panel
10. Turn on all electric power to appliance.
11. Set thermostat to desired setting and turn appliance switch from "OFF" to either "POOL" or "SPA".
12. If the appliance will not operate, check that the filter pump is on, the filter is clean and water is flowing to the pool. Otherwise, follow the instructions "To Turn Off Gas To Appliance" and call your service technician or gas supplier.

**TO TURN OFF GAS TO APPLIANCE**

1. Set the thermostat to lowest setting and turn appliance switch to "OFF".
2. Turn off all electric power to the appliance if service is to be performed.
3. Turn gas control knob clockwise  to "OFF".
4. Replace control access panel.




## 3B-2. Model LG (Standing Pilot)

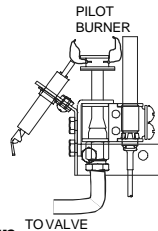
**FOR YOUR SAFETY READ BEFORE OPERATING**

**⚠ WARNING:** If you do not follow these instructions exactly, a fire or explosion may result causing property damage, personal injury or loss of life.

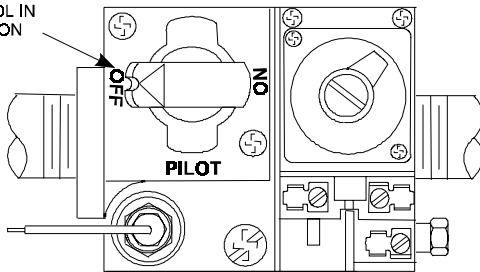
- A. This appliance has a pilot which must be lighted by a push button sparker. When lighting the pilot, follow these instructions exactly.
- B. **BEFORE LIGHTING**, smell all around the appliance area for gas. Be sure to smell next to the floor because some gas is heavier than air and will settle on the floor.
- WHAT TO DO IF YOU SMELL GAS**
- Do not try to light any appliance.
  - Do not touch any electric switch; do not use any phone in your building.
  - Immediately call your gas supplier from a neighbor's phone. Follow the gas supplier's instructions.
- If you cannot reach your gas supplier, call the fire department.
- C. Use only your hand to push in or turn the gas control knob. Never use tools. If the knob will not push in or turn by hand, don't try to repair it. Call a qualified service technician. Force or attempted repair may result in a fire or explosion.
- D. Do not use this appliance if any part has been under water. Immediately call a qualified service technician to inspect the appliance and to replace any part of the control system and any gas control which has been under water.

**OPERATING INSTRUCTIONS**

1. **STOP!** Read the safety information above.
2. Set the thermostat to lowest setting and turn appliance ON/OFF switch to "OFF".
3. Turn gas control knob clockwise  until it stops at "OFF" position.
4. Wait five (5) minutes to clear out any gas. If you then smell gas, **STOP!** Follow "B" in the safety information above. If you don't smell gas go to the next step.
5. To find pilot—follow gas line from gas valve to pilot location.
6. Turn knob on gas valve counterclockwise  to "PILOT" then push control knob all the way and hold down.
7. Push the button of the sparker, repeating until confirming that pilot lights, by observing reflection on burner tray mirror.
8. Continue to hold the control knob down for about one (1) minute after the pilot is lit. If it goes out, repeat steps 3 through 8.
  - If knob does not pop out when released, stop and immediately call your service technician or gas supplier.
  - If the pilot will not stay lit after several tries, turn the gas control knob to "OFF" and call your service technician or gas supplier.
9. Turn gas control knob counterclockwise  to "ON".
10. After replacing control compartment access panel, set thermostat to desired setting and turn appliance ON/OFF switch to "ON". Valve has built-in delay before coming on.
11. If the appliance will not operate, check that the filter pump is on, that the filter is clean and water is flowing to the pool. Otherwise, follow the instructions "To Turn Off Gas To Appliance" and call your service technician or gas supplier.





GAS CONTROL IN "OFF" POSITION



LLG Gas Valve

**TO TURN OFF GAS TO APPLIANCE**

1. Set the thermostat to lowest setting and turn appliance ON/OFF switch to "OFF".
2. Turn gas control knob clockwise  until it stops at "PILOT". Then press down slightly on knob while turning clockwise  to "OFF". Do not force.

### 3D. Seasonal Care

**⚠ Caution**

Do not operate this heater outdoors at temperatures below 20 degrees Fahrenheit (°F) (-7 degrees Celsius [°C]).

#### 3D-1. Spring and Fall Operation

During periods when the pool is only going to be used occasionally, turn the temperature control down to the MIN setting. This prevents the pool from water from becoming chilled, and minimizes the time required to raise the pool water back up to the desired temperature.

In areas subject to only short freeze periods, turn off the heater and run the pump continuously for the length of the freeze period.

If the heater is not going to be used for a long period of time, shut it down completely. Follow the instructions found on the inside of the heater, or pages 17(LD) or 18(LG) of this manual.

#### 3D-2. Winterizing

In areas where freezing temperatures occur in winter, and the pool or spa will not be used, have your service technician perform the following steps:

1. Turn off the main gas supply valve to the heater, outside the heater jacket.
2. Remove heater door.
3. Shut down the heater following the shutdown instructions found on the inside of the heater.
4. Remove the drain plug from the return header (see Figure 21), loosen the drain plug from the inlet/outlet header, and completely drain the heater before the first frost.
5. After all water has drained from the heater, remove the drain plug from the inlet/outlet side. Check for mineral buildup in the openings.

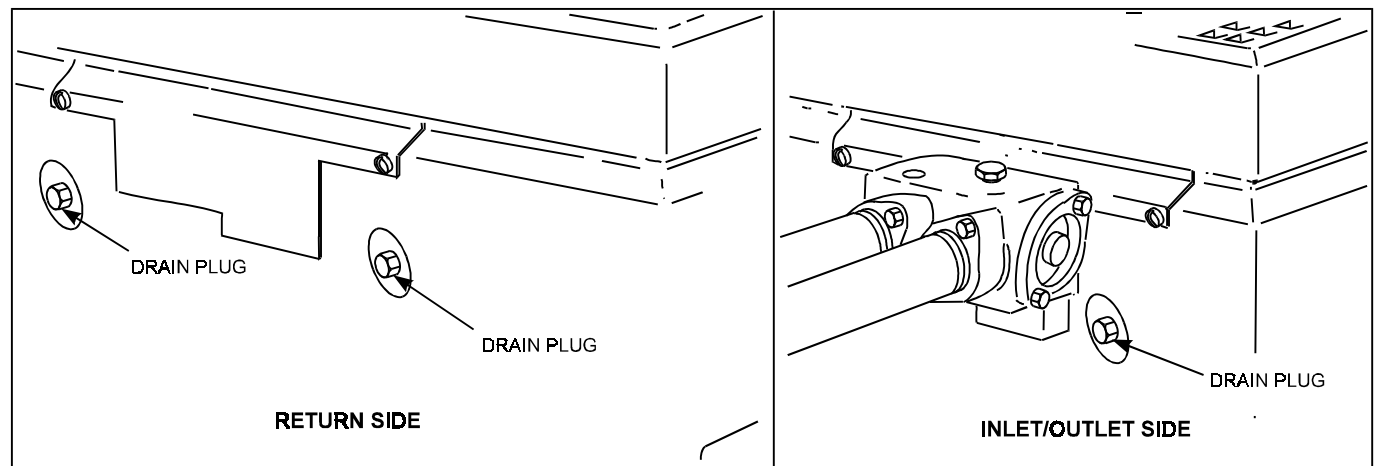


Figure 21. Heater drain locations.

6. Use compressed air to blow out any standing water remaining in the heat exchanger.
7. Grease the threads on the drain plugs and reinstall plugs, but do not tighten.
8. Disconnect the pressure switch from the siphon loop (copper tubing) (see Figure 22).

#### 3D-3. Spring Start-up

To restart the heater in the Spring, have a professional service technician reassemble the heater as follows:

1. Fill the siphon loop with approximately 5cc of SAE 50, non-detergent oil. Attach the copper tubing to the pressure switch (see Figure 22).
2. Tighten the drain plugs.
3. Turn on the filter pump and circulate water through the heater for 5 minutes. Check for leaks while circulating.
4. Turn on the main gas supply valve to the heater, outside the heater jacket.
5. Turn on the heater following the lighting instructions found on the inside of the heater, or pages 17(LD) or 18(LG) of this manual.

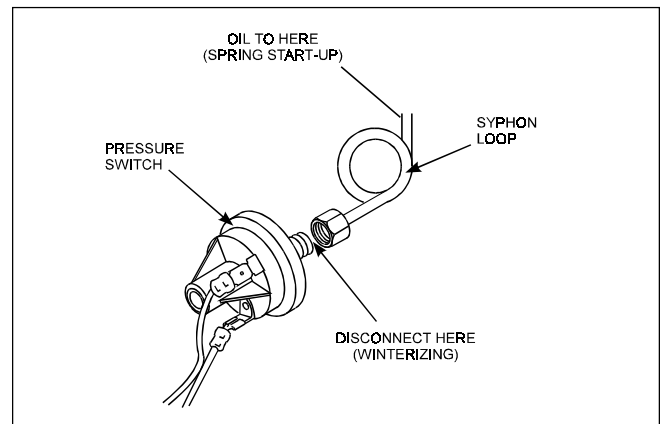


Figure 22. Pressure switch copper tubing.

### 3E. Water Chemistry

For notes on water chemistry please consult sections 2G-4, 2G-4a and Table 7 on page 13 of this manual.

### 3F. Spa/Hot Tub Safety Rules

#### **⚠ WARNING**

The following "Safety Rules for Hot Tubs," recommended by the U.S. Consumer Product Safety Commission, should be observed when using the spa.

1. Spa or hot tube water temperature should never exceed 104°F (40°C). One hundred degrees Fahrenheit (100°F [38°C]) is considered safe for a healthy adult. Special caution is recommended for young children.
2. The drinking of alcoholic beverages before or during spa or hot tub use can cause drowsiness which could lead to unconsciousness, and subsequently result in drowning.
3. **Pregnant women take note!** Soaking in water above 102°F (38.5°C) can cause fetal damage during the first three months of pregnancy (which could result in the birth of a brain-damaged or deformed child). If pregnant women are going to use a spa or hot tub, they should make sure the water temperature is below 100°F (38°C) maximum.
4. The water temperature should always be checked with an accurate thermometer before entering a spa or hot tub. Temperature controls may vary by as much as 4F° (2C°).
5. Persons with a medical history of heart disease, diabetes, circulatory or blood pressure problems should consult their physician before using a hot tub or spa.
6. Persons taking any medication which induces drowsiness (e.g., tranquilizers, antihistamines, or anticoagulants) should not use spas or hot tubs.
7. Prolonged immersion in hot water can induce hyperthermia.

Hyperthermia occurs when the internal body temperature reaches a level several degrees above the normal body temperature of 98.6°F (37°C). Symptoms include dizziness, fainting, drowsiness, lethargy, and an increase in the internal body temperature. The effects of hyperthermia include:

- Lack of awareness of impending hazard
- Failure to perceive heat
- Failure to recognize need to leave spa
- Physical inability to leave spa
- Fetal damage in pregnant women
- Unconsciousness resulting in a danger of drowning

### 3G. Swimming Pool Energy Saving Tips

Waterpik Laars offers the following recommendations to help conserve fuel and minimize the cost of operating your pool heater without sacrificing comfort.

1. The American Red Cross recommends a maximum water temperature of 78°F (25°C). Use an accurate pool thermometer. A difference of 4F° (3C°), between 78°F and 82°F (25°C and 28°C), will use as much as 40% more gas.
2. Carefully monitor the water temperature of your pool in the summertime. You can reduce heater usage due to warmer air temperatures.
3. Find the proper setting on the pool heater temperature control and use the TEMP-LOK to discourage further adjustments.
4. Set the filter time clock to start the pump no earlier than 6:00 AM during the pool heating season. This is the time when nightly heat loss balances.
5. If the pool is only going to be used on weekends, reduce the heater temperature control setting by 8 or 10 degrees during the week. Reset it to the 78°F (25°C) level a day or so before you plan to use the pool.
6. During the winter or when on vacation for longer than a week, shut down the heater by following the shutdown instructions found on the inside of the heater.
7. Where possible, shelter the pool from prevailing winds with well-trimmed hedges or other landscaping, cabanas, or fencing.
8. Always use a pool cover when practical. Besides providing a valuable safety feature, a pool cover will reduce heat loss, conserve chemicals, and reduce the load on filter systems.

### 3H. Periodic Inspection

#### **⚠ WARNING**

Improper installation or maintenance can cause nausea or asphyxiation from carbon monoxide in flue gases which could result in severe injury, or death.

#### 3H-1. Owner Inspection

Waterpik Laars designs and constructs the Laars Lite 2 heater to provide long performance life when installed and operated properly under normal conditions. The following basic guidelines are suggested for your inspection:

1. Keep the top and surrounding area of the heater clear of all debris.
2. Keep the heater area clean and free of all combustible materials, flammable liquids and vapors, as well as sanitization chemicals.
3. Do not use the heater if any part has been under water. Immediately call a qualified professional technician to inspect the heater and replace any part of the control system which has been submerged.

N'utilisez pas cet appareil s'il a été plongé dans l'eau, même partiellement. Faites inspecter l'appareil par un technicien qualifié et remplacez toute partie du système de contrôle et toute commande qui ont été plongés dans l'eau.

4. If the heater is equipped with a pressure relief valve, check for corrosion in and around the valve. With the filter pump on, lift the release lever on the top of the valve to make sure that water runs freely through it. If corrosion is found, replace the pressure relief valve. When replacing the valve, be sure that the pump is off. Install the valve so that the discharge is directed away from any area the may be damaged by water.
5. Be sure all combustion air and ventilation openings are not blocked.

#### 3H-2. Professional Inspection

In addition, annual inspections by a qualified professional technician are recommended to keep the heater operating safely and efficiently through the years. The following basic checks should be performed.

1. Check for loose or broken wires and terminal connections.
2. Verify pressure switch operation by cycling the spa pump on and off a few times. The heater should go off immediately after the pump stops.

3. Inspect the electrical controls, specifically the following:
  - a. High limit controls.
  - b. Pressure switch.
  - c. Temperature control.
  - d. Automatic gas valve.
4. Inspect the venting system for blockage, leakage, and corrosion.
5. Check for spider webs in the pilot and main burner orifices - especially at Spring start-up.
6. Conduct a normal operating cycle and observe that the sequence proceeds as intended.
7. Inspect the external surfaces of the heat exchanger tubes for black carbon soot buildup by placing a mirror between and under the burners when the heater is firing. Remove any soot that has collected on the tubes, and correct the cause.

**NOTE:** After installation and first start-up, check the heat exchanger for black carbon soot buildup after the following periods of operation: 24 hours, 7 days, 30 days, 90 days, and once every 6 months thereafter.

Proper flames appear:

- a. Blue in color.
- b. 1 to 4 inches (25 to 102mm) high above burner surface.

## SECTION 4.

### Parts List for Laars Lite 2 Heater

#### 4A. General Information

To purchase parts or obtain a comprehensive maintenance manual for the Laars Lite 2 heater, contact your nearest Waterpik Laars dealer or distributor. If they cannot supply you with what you need, contact the Customer Service Manager, Waterpik Laars, 21 Pimentel Ct, Novato, California, 94949, Telephone (415) 382-8220 extension 245.

#### 4B. Parts List

The following three pages contain a parts list, general exploded view and detailed exploded views to aid in parts identification. Please refer to these pages when ordering parts for your Laars Lite 2 pool heater.

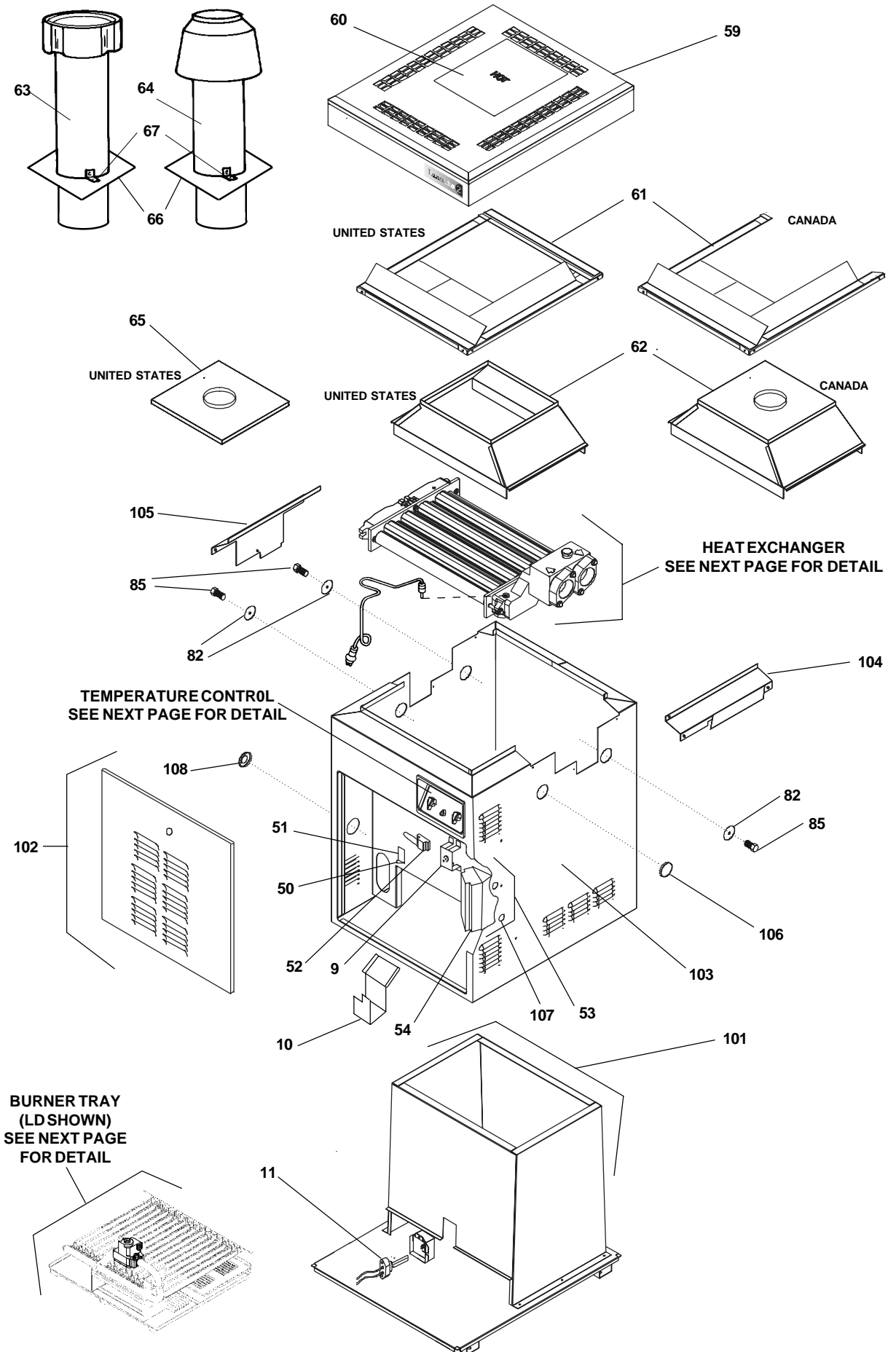
| Key No  | Description                                       | Model No | ORDER PART NO |
|---|---|----------|---------------|
| <b>PILOT/IGNITER SYSTEM</b>                                   |   |          |               |
| 1   | Pilot, Main Burner Assembly, NAT                  | All      | R0099100      |
| 1   | Pilot, Main Burner Assembly, LPG                  | All      | R0099200      |
| 2   | Pilot Burner, NAT                                 | All      | R0096700      |
| 2   | Pilot Burner, LPG                                 | All      | R0096600      |
| 3   | Pilot Electrode                                   | All      | W0040000      |
| 4   | Pilot Generator                                   | All      | W0036901      |
| 5   | Ceramic Insulator Assembly                        | All      | 10418820      |
| 6   | Burner, Main w/Pilot Bracket                      | All      | 10457500      |
| 7   | High Voltage Lead Assembly                        | All      | R0099000      |
| 8   | Pilot Tubing                                      | All      | R0037000      |
| 9   | Piezo Lighter Assembly                            | All      | R0096800      |
| 10  | Pilot Condensate Shield - LG                      | All      | R0323300      |
| 11  | Ignitor - LD                                      | All      | R0317200      |
| <b>MAIN GAS ASSEMBLY</b>                                      |   |          |               |
| 12  | Burner Tray Assy, NAT - LG                        | 125-400  | R0098601-05   |
| 12  | Burner Tray Assy, LPG - LG                        | 125-400  | R0098701-05   |
| 12  | Burner Tray Assy, NAT - LD                        | 125-400  | R0316901-05   |
| 12  | Burner Tray Assy, LPG - LD                        | 125-400  | R0319501-05   |
| 13  | Burner Tray, Shelf Only                           | 125-400  | R0317001-05   |
| 14  | Gas Valve, NAT - LG                               | All      | R0096400      |
| 14  | Gas Valve, LPG - LG                               | All      | R0096900      |
| 14  | Gas Valve, NAT - LD                               | All      | R0317100      |
| 14  | Gas Valve, LPG - LD                               | All      | R0319600      |
| 15  | Gas Orifice, NAT 0 - 3,000 ft alt. (EA.) (Note 1) | All      | L0032200      |
| 15  | Gas Orifice, LPG 0 - 5,000 ft alt. (EA.) (Note 2) | All      | L0032900      |
| 16  | Anti-Rotation Bracket                             | All      | 10835900      |
| 17  | Mounting Bracket Assembly - LG                    | All      | 10419200      |
| 18  | Burner, Main                                      | All      | L0052300      |
| 19  | Burner Manifold                                   | 125      | L0052200      |
| 19  | Burner Manifold                                   | 175      | L0006300      |
| 19  | Burner Manifold                                   | 250      | L0006400      |
| 19  | Burner Manifold                                   | 325      | L0006500      |
| 19  | Burner Manifold                                   | 400      | L0006600      |
| <b>ELECTRICAL SYSTEM</b>                                      |   |          |               |
| 20  | Temperature Control Assembly - LG                 | All      | R0058200      |
| 21  | Wire Harness                                      | All      | R0058000      |
| 22  | Plate Assembly                                    | All      | 10457300      |
| 23  | On-Off Switch                                     | All      | R0099800      |
| 24  | Temperature Control Label                         | All      | H0105300      |
| 25  | Temperature Control Assembly - LD                 | All      | R0011700      |
| 26  | Wire Harness Assembly                             | All      | 10457800      |
| 27  | Plate Assembly                                    | All      | 10594600      |
| 28  | Knob, Single Bar                                  | All      | R0099900      |
| 29  | Temperature Control Label                         | All      | H0166500      |
| <b>Key Nos. 30- 37 are for both R582 (LG) &amp; R117 (LD)</b> |   |          |               |
| 30  | Temperature Sensor                                | All      | R0011800      |
| 31  | Protector Sleeve, Bulb                            | All      | 10444900      |
| 32  | "O" Ring, Temperature Control Bulb                | All      | E0116400      |
| 33  | Thermostat Knob, Black                            | All      | R0010700      |
| 34  | Stop Plate, "Temp-Lok"                            | All      | 10583100      |
| 35  | Temperature Control Gasket                        | All      | S0070000      |
| 36  | Bezel   | All      | S0069800      |
| 37  | Stop Plate Screw (Not Shown)                      | All      | F0033300      |
| 38  | Temperature Sensor Retainer Bracket               | All      | 10447300      |
| 39  | Retainer Bracket Screw                            | All      | F0009100      |
| 40  | Pressure Switch & Siphon Loop Assembly (2 PSI)    | All      | R0097600      |
| 41  | Pressure Switch, 2 PSI                            | All      | R0013200      |
| 41  | Pressure Switch, 1 PSI                            | All      | R0011300      |
| 41  | Pressure Switch, 1-10 PSI                         | All      | R0015500      |
| 42  | Siphon Loop Assembly                              | All      | R0057800      |
| 43  | High-Limit Switch Assembly                        | All      | R0023200      |
| 44  | High-Limit Switch, 135° F                         | All      | R0022700      |
| 45  | High-Limit Switch, 150° F                         | All      | R0023000      |
| 46  | High-Limit Switch Retainer Boot                   | All      | S0098900      |
| 47  | High-Limit Switch Wire Harness                    | All      | 10419300      |
| 48  | High-Limit Switch Retainer Clip                   | All      | 10418400      |
| 49  | High-Limit Switch Cover                           | All      | 10418300      |
| 50  | Fusible Link Assembly                             | All      | R0012200      |
| 51  | Fusible Link Bracket                              | All      | 10479900      |
| 52  | Terminal Block                                    | All      | R0097800      |
| 53  | Ignition Control Assembly - LD                    | All      | R0344600      |
| 54  | Ignition Control - LD                             | All      | R0344500      |
| 55  | Harness Assembly (Not Shown)                      | All      | R0059800      |
| 56  | Transformer (115V/220V-24V) (Not Shown)           | All      | R0061100      |
| 57  | Ignition Control Panel (Not Shown)                | All      | 10451200      |
| 58  | In-Line Fuse Assembly (Not Shown)                 | All      | 10480000      |

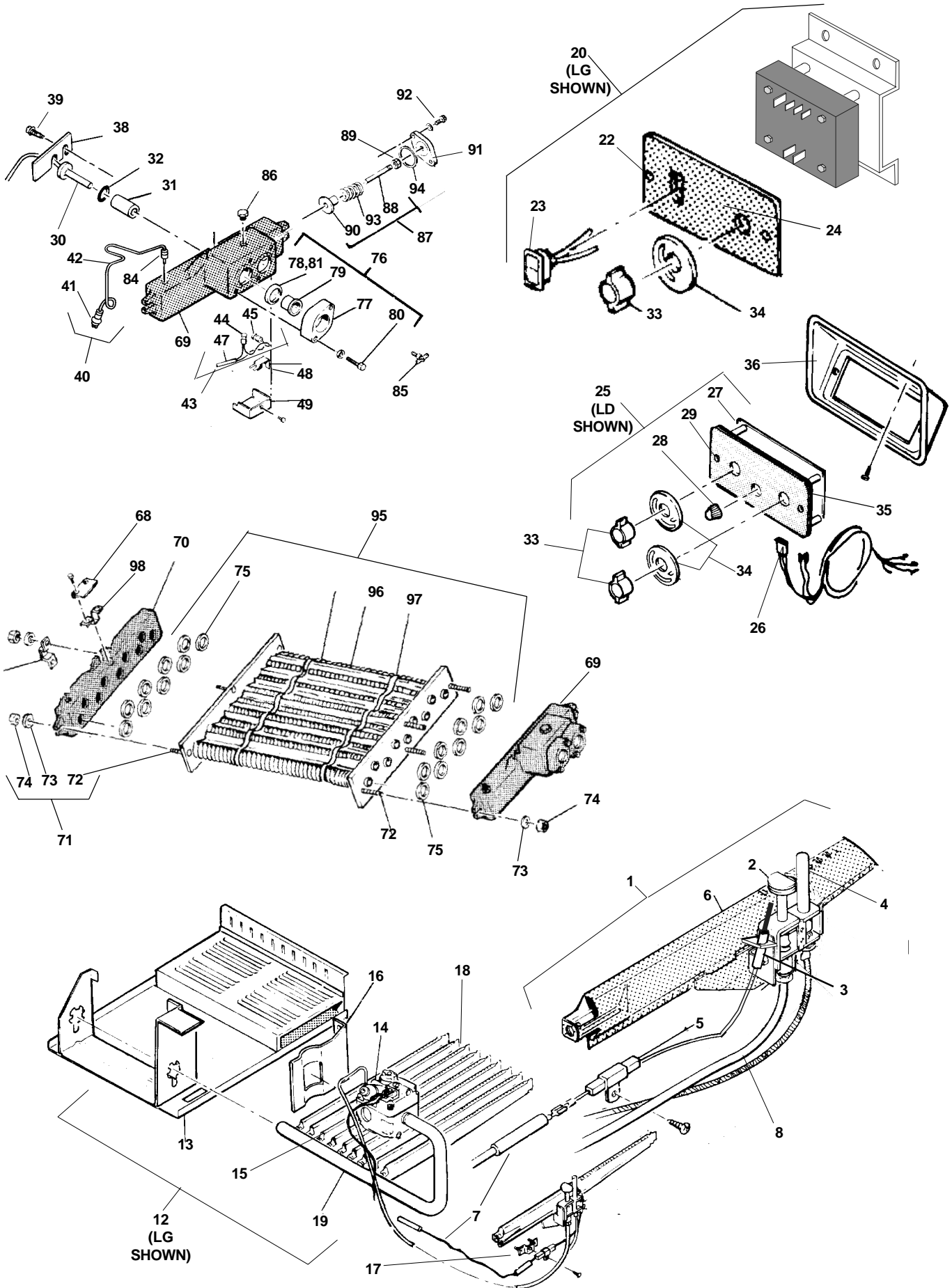
| Key No                     | Description                                       | Model No | ORDER PART NO |
|----------------------------|---|----------|---------------|
| <b>VENT SYSTEM</b>         |   |          |               |
| 59                         | Top Enclosure                                     | 125-400  | R0343401-05   |
| 60                         | Top Filler Plate (US Only)                        | 125-400  | R0343701-05   |
| 61                         | Rainshield Kit (US Only)                          | 125-400  | R0318301-05   |
| 61                         | Rainshield Kit (Canada Only)                      | 125-400  | R0318311-15   |
| 62                         | Flue Collector Assembly (US Only)                 | 125-400  | R0316401-05   |
| 62                         | Flue Collector Assembly (Canada Only)             | 125-400  | R0316406-10   |
| 63                         | Outdoor Vent Cap (US Only)                        | 125-400  | 10561501-05   |
| 63                         | Outdoor Vent Cap (Canada Only)                    | 125-400  | 10561511-15   |
| 64                         | Indoor Draft Hood (US Only)                       | 125-400  | 10561401-05   |
| 64                         | Indoor Draft Hood (Canada Only)                   | 125-400  | 10561411-15   |
| 65                         | Flue Transition Plate (US Only)                   | 125-400  | 10861901-05   |
| 66                         | Adapter Plate                                     | 125-400  | 10535301-05   |
| 67                         | Clip  | All      | 10211000      |
| 68                         | Flue Collector Hold Down Clamp                    | All      | 10726000      |
| <b>WATER SYSTEM</b>        |   |          |               |
| 69                         | Inlet/Outlet Header, 2"                           | All      | R0056400      |
| 69                         | Inlet/Outlet Header, Bronze, 2"                   | All      | R0016800      |
| 70                         | Return Header (Includes set of 9 gaskets)         | All      | R0058300      |
| 70                         | Return Header, Bronze (Includes set of 9 gaskets) | All      | R0054600      |
| 71                         | Header Bolt Assembly (Set of 8)                   | All      | R0057000      |
| 72                         | Bolt for Headers, 2 1/2"                          | All      | F0046100      |
| 73                         | Washer for Headers                                | All      | F0011100      |
| 74                         | Nut for Headers                                   | All      | F0003100      |
| 75                         | Header Gasket Assembly (Set of 18)                | All      | R0050800      |
| 76                         | Flange & Gasket Assembly (Set of 2)               | All      | R0055000      |
| 77                         | Flange, 2"  | All      | 10573500      |
| 78                         | Flange Gasket, 2"                                 | All      | S0078000      |
| 79                         | Flange Sleeve, 2"                                 | All      | S0078200      |
| 80                         | Flange Bolt                                       | All      | F0031700      |
| 81                         | Flange Gasket, 1 1/2 - 2"                         | All      | S0078100      |
| 82                         | Rubber Grommet for Drain Plug                     | All      | R0316300      |
| 83                         | Grommet, Slitted (Not Shown)                      | All      | S0071100      |
| 84                         | Brass Connector Body                              | All      | P0019701      |
| 85                         | Brass Drain Plug 1/4"                             | All      | P0026800      |
| 86                         | Brass Plug, 3/4"                                  | All      | P0027000      |
| 87                         | By-Pass Assembly w/o spring (Iron Cap)            | All      | R0013100      |
| 87                         | By-Pass Assembly with spring (Bronze Cap)         | 125-400  | 10701401-05   |
| 88                         | By-Pass Valve Rod                                 | All      | S0079800      |
| 89                         | Brass Nut (For Rod)                               | All      | F0048400      |
| 90                         | By-Pass Valve Disc                                | All      | R0011500      |
| 91                         | By-Pass Valve Control Cap (Iron)                  | All      | 10452200      |
| 91                         | By-Pass Valve Control Cap (Bronze)                | All      | 10557400      |
| 92                         | Control Cap Bolts (2 Required)                    | All      | F0041600      |
| 93                         | By-Pass Valve Spring, Purple                      | 125      | S0079900      |
| 93                         | By-Pass Valve Spring, White                       | 175      | S0061400      |
| 93                         | By-Pass Valve Spring, Red                         | 250      | S0061300      |
| 93                         | By-Pass Valve Spring, Blue                        | 325      | S0061200      |
| 93                         | By-Pass Valve Spring, Black                       | 400      | S0070100      |
| 94                         | By-Pass Valve Gasket                              | All      | R0011400      |
| 95                         | Heat Exch. Tube Assy. (Incl. set of 18 gaskets)   | 125-400  | R0018101-05   |
| 96                         | Heat Exchanger Baffle (8 Required)                | 125-400  | 10697401-05   |
| 97                         | Baffle Retainer                                   | All      | S0083900      |
| 98                         | Heat Exchanger Support Clip (2 Required)          | All      | 10457000      |
| 99                         | Flow Restrictors (2 Required) (Not Shown)         | 125      | S0000300      |
| 100                        | Heat Exchanger End Baffles (2 Required)           | 125-400  | R0332301-05   |
| <b>FIREBOX COMPONENTS</b>  |   |          |               |
| 101                        | Complete Combustion Chamber Assy.                 | 125-400  | R0316701-05   |
| <b>JACKET COMPONENTS</b>   |   |          |               |
| 102                        | Door with Latch                                   | 125-400  | R0343601-05   |
| 103                        | Jacket Assembly, Less Top Assembly                | 125-400  | R0343501-05   |
| 104                        | Gap Closure, Inlet/Outlet                         | All      | R0344300      |
| 105                        | Gap Closure, Return                               | All      | R0344400      |
| 106                        | Button Plug, 1-3/4"                               | All      | F0035300      |
| 107                        | Button Plug, 7/8"                                 | All      | F0032300      |
| 108                        | Button Plug, 2" (With hole for gas line)          | All      | F0056600      |
| <b>OPTIONAL COMPONENTS</b> |   |          |               |
|                            | Non Combustible Base                              | 125-400  | 10521701-05   |
|                            | Pressure Relief Valve 3/4" NPT, 75 PSI            | All      | R0040400      |
|                            | Touch Up Spray Paint, Light Beige                 | All      | X0021100      |
|                            | Flame Sense Rod, Retrofit                         | All      | R0334300      |
|                            | Igniter Condensate Shield, Retrofit - LD          | All      | R0334200      |

## Notes:

- For altitudes 2,000 Ft above sea level, call factory for orifice size.
- For altitudes 5,000 Ft above sea level, call factory for orifice size.









## LAARS LITE 2 LIMITED WARRANTY

Your Laars Lite 2 pool/spa heater is backed by this double warranty to assure your complete satisfaction.

1. Controls, copper heat exchanger tubes, and combustion chamber panels are warranted against defects in materials and workmanship for two (2) years from date of purchase.
2. All other parts are warranted against defects in materials and workmanship for five (5) years from date of purchase.

The above warranty applies only if the installation and operating instructions applicable to the model purchased are expressly and completely followed. These instructions are furnished with the unit and are also available by writing to the Waterpik Laars factory. The liability of Waterpik Laars shall not exceed the repair or replacement of defective parts by factory authorized technicians, and shall not include transportation to or from factory, any labor costs, and consequential or incidental damages. Ship

inoperative parts or complete heater with Serial number, Model number and purchase date, transportation prepaid, directly to address below, attention Customer Service, for evaluation and warranty consideration.

This warranty gives you specific legal rights. You may also have other rights which vary from state to state, and by province. Some states do not allow the exclusion or limitation of incidental or consequential damages, so the above limitation or exclusion may not apply to you.

**waterpik**  
Technologies, Inc.

6000 Condor Dr., Moorpark, CA 93021 USA\* (805) 529-2000  
21 Pimentel Court, Novato, CA, 94949 USA (415) 382-8220  
480S. Service Road West, Oakville, Ontario, Canada L6K 2H4 (905) 844-8233



# Laars



**PERFORMANCE**  
*beyond your expectations*

**waterpik**  
Technologies, Inc.

\*6000 Condor Drive, Moorpark, CA, USA 93021 • 415.382.8220 FAX 415.382.8091  
21 Pimentel Court, Novato, CA, USA 94949 • 415.382.8220 FAX 415.382.8091  
480 S. Service Road West, Oakville, Ontario, Canada L6K 2H4 • 905.844.8233 FAX 905.844.2635

H0235900-

Printed on Recycled Paper

Litho in U.S.A. © Waterpik Laars 9906