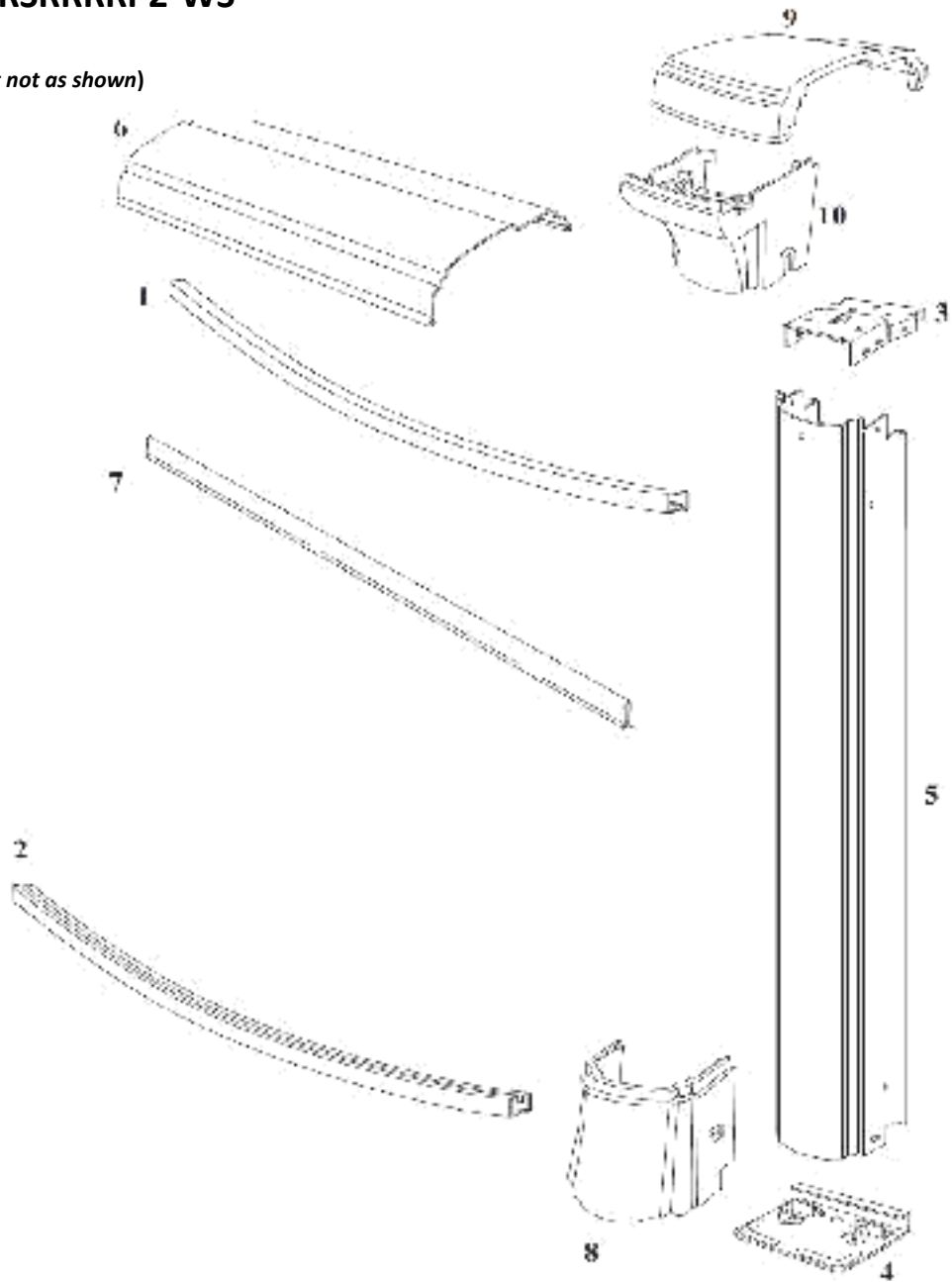


**LIFESTYLE ROUND PLFRSMG-
52RSRRRRP2-WS

(Upright not as shown)



Product Description:**Lifestyle Round**

9/17/2021

Product Code**PLFRSMG-**52RSRRRP2-WS****Quantity Required for Installation (by Pool Size)**

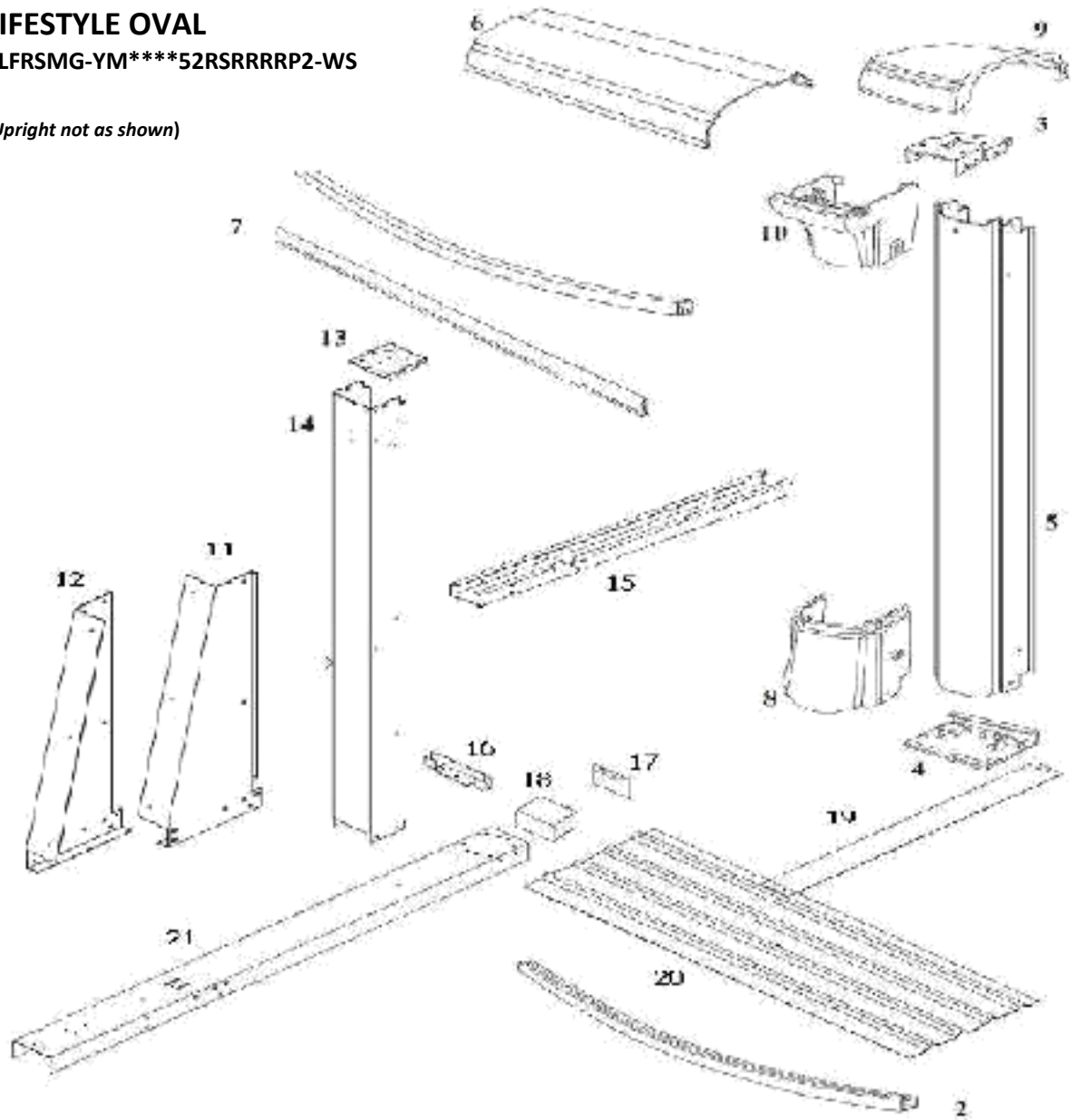
Index #	Description	Part #	Length	Quantity Required for Installation (by Pool Size)				
				15'	18'	21'	24'	27'
6	Top Rail	35000	55-13/16"	10	12	14	16	18
5	Upright	29290	52.2185"	10	12	14	16	18
9	Top Cap	19309	7"	10	12	14	16	18
10	Top Cap Curved Support	19310	7"	10	12	14	16	18
8	Bottom Boot	19312	7"	10	12	14	16	18
7	Plastic Coping	10296	48"	12	14	16	19	21
3	Top Plate	40392	5.5"	10	12	14	16	18
4	Bottom Plate	40393	5.5"	10	12	14	16	18
1	Rim	29889	56-1/16"	10				
1	Rim	29890	56-1/16"		12			
1	Rim	29891	56-1/16"			14		
1	Rim	29892	56-1/16"				16	
1	Rim	29894	56-1/16"					20
2	Bottom Rail	12312	54-1/4"	10				
2	Bottom Rail	12321	54-1/4"		12			
2	Bottom Rail	12322	54-1/4"			14		
2	Bottom Rail	12323	54-1/4"				16	
2	Bottom Rail	12324	54-1/4"					18
*	Hardware	44-10052		1				
*	Hardware	44-10055			1			
*	Hardware	44-10056				1		
*	Hardware	44-10057					1	
*	Hardware	44-10058						1
*	Hardware	22-10090		1				
*	Hardware	22-10074			1			
*	Hardware	22-10091				1		
*	Hardware	22-10075					1	
*	Hardware	22-10096						1
*	Backyard Leisure Terms & Conditions	920045		1	1	1	1	1
*	Envelope Safety Stickers	95-0007		1	1	1	1	1
*	Instructional DVD	99975		1	1	1	1	1

*May not be pictured

LIFESTYLE OVAL

PLFRSMG-YM****52RSRRRRP2-WS

(Upright not as shown)



Product Description:		Lifestyle 52" Yardmore Oval									9/17/2021
Product Code:		PLFRSMG-YM****52RSRRRP2-W5									
Quantity Required for Installation (by Pool Size)											
Index #	Description	Part #	Length	1217	1218	1224	1524	1526	1530	1833	
6	Top Rail	34999	40-1/8"	12	8	10					
6	Top Rail	35085	51-3/16"				10	10	10		
6	Top Rail	35144	51-15/16"							12	
6	Top Rail Transition	37390	47-1/4"		4		4				
6	Top Rail Straight Side	35084	41-1/4"	2	2	8	2	8	10	10	
5	Upright	29290	52.2185"	10	10	12	12	12	12	14	
14	Wrap Upright Oval Steel Straight Side	35637	52"	4	4	6	4	6	8	8	
9	Top Cap	19309	7"	14	14	18	16	18	20	22	
10	Top Cap Curved Support	19310	7"	10	10	12	12	12	12	14	
*	Top Cap Straight Support	19311	7"	4	4	6	4	6	8	8	
13	Top Plate	40392	5.5"	10	10	12	12	12	12	14	
3	Top Plate Oval	38910	4"	4	4	6	4	6	8	8	
4	Bottom Plate	40393	5.5"	10	10	12	12	12	12	14	
8	Bottom Boot	19312	7"	10	10	12	12	12	12	14	
7	Plastic Coping	10296	48"	16	14	16	16	19	19	21	
1	Rim	11428	51-1/16"				10	10	10		
1	Rim	39999	42-5/8"	12	8	10					
1	Rim	29934	8"	4	4	6	4	6	8	8	
1	Rim	29936	37"			4		4	4	4	
1	Rim	29935	33"	2	2	4	2	4	6	6	
1	Rim	37422	43"		4		4				
1	Rim	29890	56-1/16"							12	
2	Bottom Rail	38991	38"	12	8	10					
2	Bottom Rail	12311	49"				10	10	10		
2	Bottom Rail	12331	50"							12	
2	Bottom Rail Straight Side	12327	37-1/2"	2	2	4	2	4	6	6	
2	Bottom Rail Corner	12328	39"			4		4	4	4	
2	Bottom Rail Corner	12330	45"		4		4				
16	Connector Bottom Rail Straight Side	16542	1"	4	4	6	4	6	8	8	
20	Pressure Plate	16549	44"	4	4	6	4	6	8	8	
18	Foam Block	29917	2x4x4-1/8"	4	4	6	4	6	8	8	
21	Strap Over Oval Channel	16539	52-3/8"	4	4	6	4	6	8	8	
15	Under Channel Yardmore	15933	45-9/16"	4	4	6	4	6	8	8	
17	Oval Channel End Cap	22726		4	4	6	4	6	8	8	
11	Yardmore Gussett Right	16654		4	4	6	4	6	8	8	
12	Yardmore Gussett Left	16653		4	4	6	4	6	8	8	
19	Strap Section	16724	41-11/16"	4	4	6					
19	Strap Section	16725	40-11/16"				6	9	12		
19	Strap Section	16726	52-11/16"							12	
*	Hardware SS Base Pack YM (4 Uprights)	22-16720		1	1	1	1	1	2	2	
*	Hardware SS Base Pack YM (2 Uprights)	22-16722				1		1			
*	Hardware	44-10102		1	1						
*	Hardware	44-10094				1		1			
*	Hardware	44-10093					1				
*	Hardware	44-10098							1		
*	Hardware	44-10105								1	
*	Hardware	22-10073				1		1			
*	Hardware	22-10072					1				
*	Hardware	22-10074								1	
*	Hardware	22-10090				1	1	1	2	1	
*	Backyard Leisure Terms & Conditions	920045		1	1	1	1	1	1	1	
*	Envelope Safety Stickers	95-0007		1	1	1	1	1	1	1	
*	Instructional DVD	99975		1	1	1	1	1	1	1	

*May not be pictured