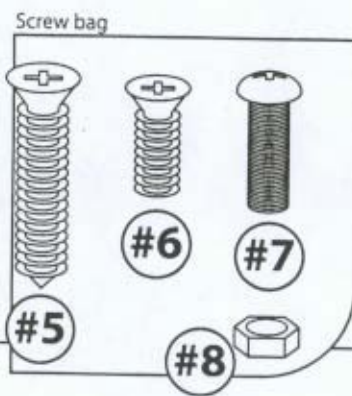
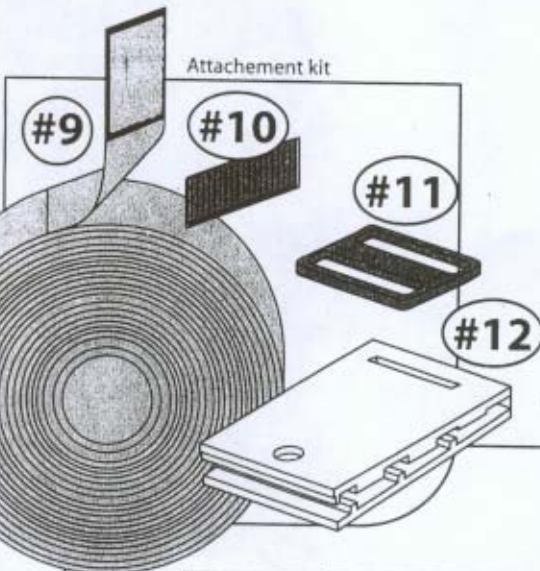
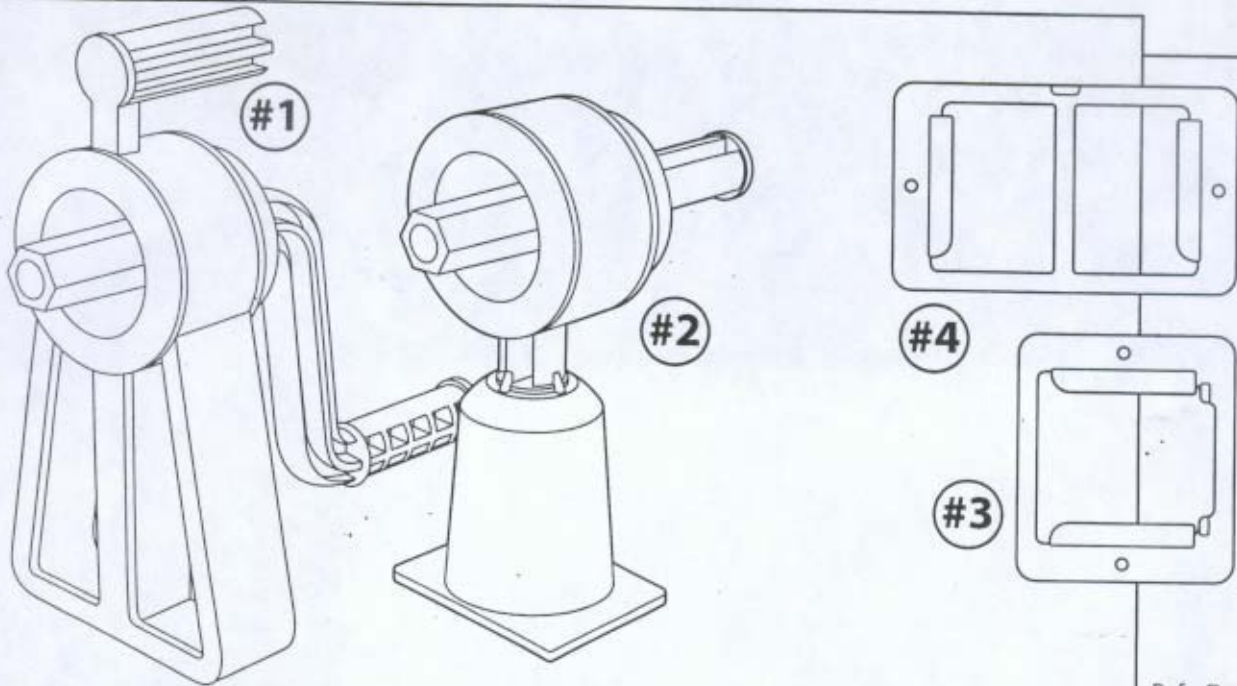


Above Ground Pool Cover Reel

1



Ref	Description	Qty
#1	Reel with lever	1
#2	Reel	1
#3	Base plate for #1	1
#4	Base plate for #2	1
#5	Self drilling screw	6
#6	Flat head screw	6
#7	Metal screw	4
#8	Metal nut	4
#9	Strap with female velcro	8
#10	Male velcro sticker	8
#11	Buckle	8
#12	Cover clip	8

Round Tube

Tube A $\varnothing 3"$

Tube B $\varnothing 3" 1/4$

Tube C $\varnothing 3"$

Octogonal Tube

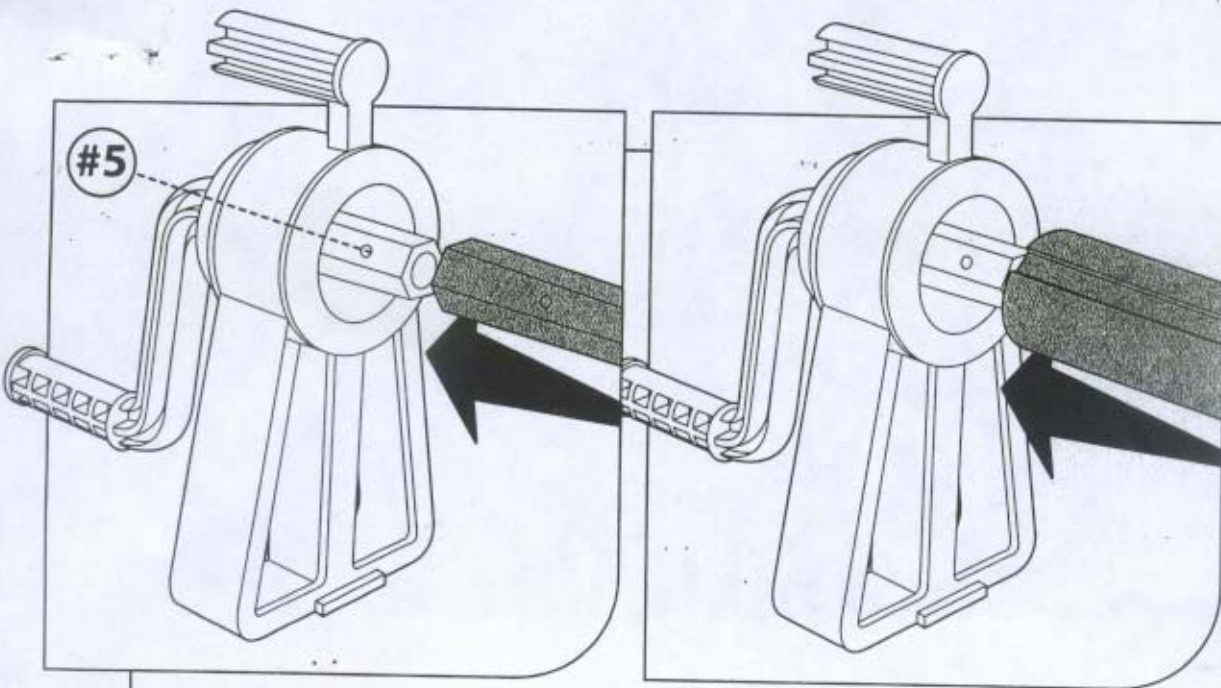
Tube D $\varnothing 1" 1/2$

Tube E $\varnothing 1" 3/4$

Tube F $\varnothing 1" 1/2$

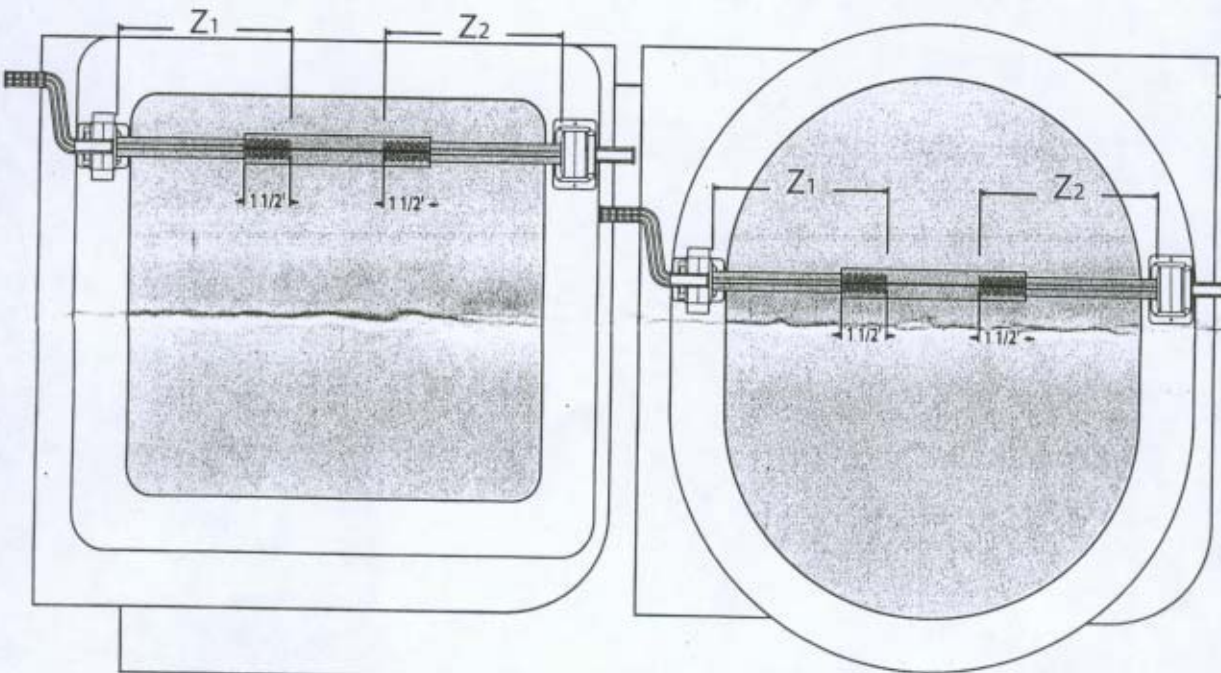
Tubes not included in the kit

2



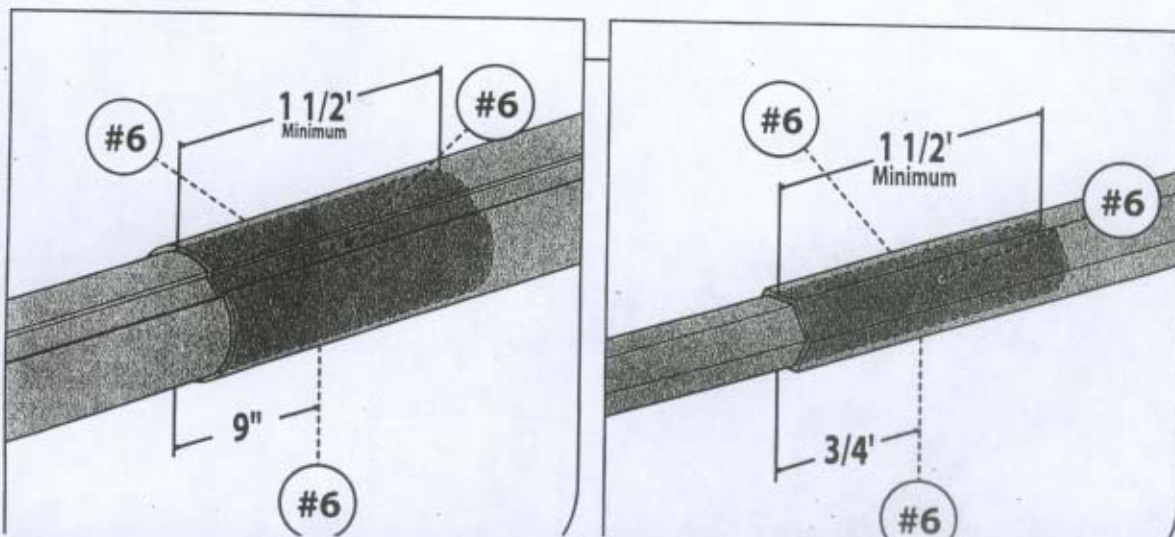
- With an octagonal tube: Insert the tube D in the reel #1. Secure the assembly with 1 self tapping screws #5. Repeat the operation with the tube F and the reel #2. Secure with 1 self tapping screws #5.
- With a 3" round tube: Slide one end of tube A in the reel #1 until it lock itself. Repeat the operation with the tube C and the reel #2.

3

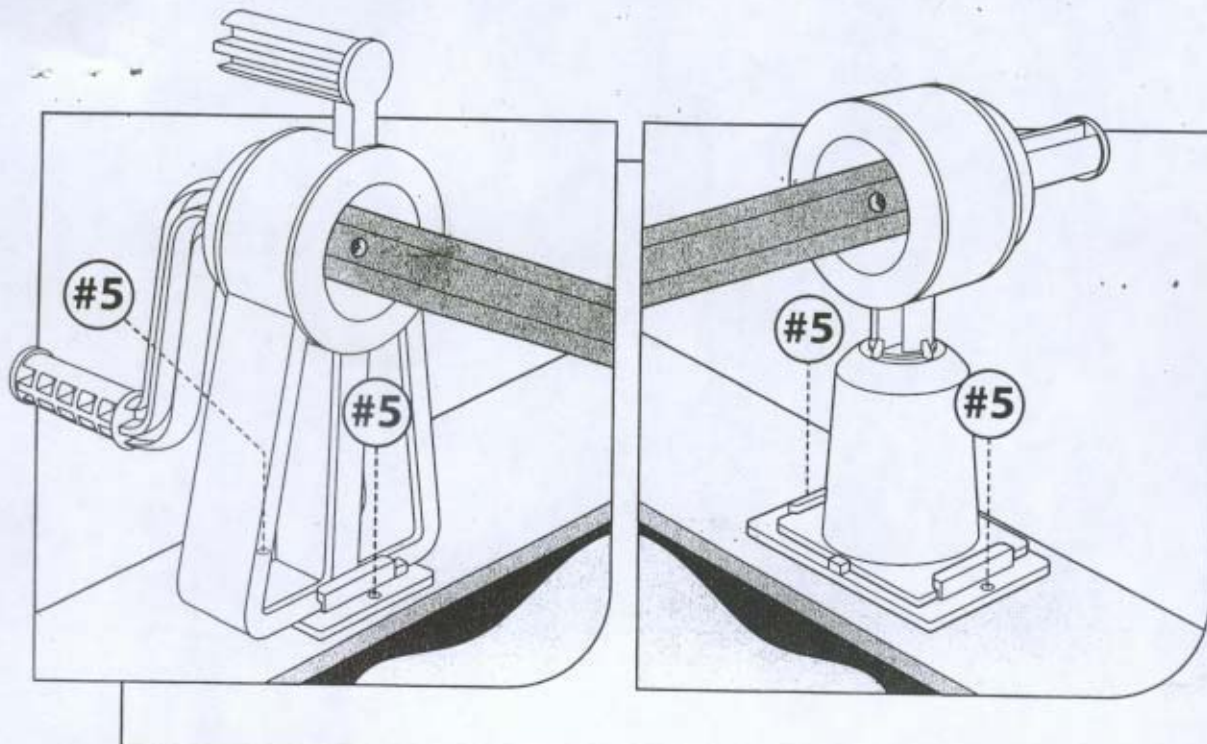


- Insert 3" tube A and C into the 3 3/16 tube B, or insert tube D and F into the tube E. Slide them until both reel sit transversally to your pool on each side of the ledge.
- Ensure that the tube B or tube E are exactly centered so that Z1 and Z2 are equal.
- Also ensure that there is a minimum tube overlapping of 1 1/2' on both side of the tube B or tube E.

4

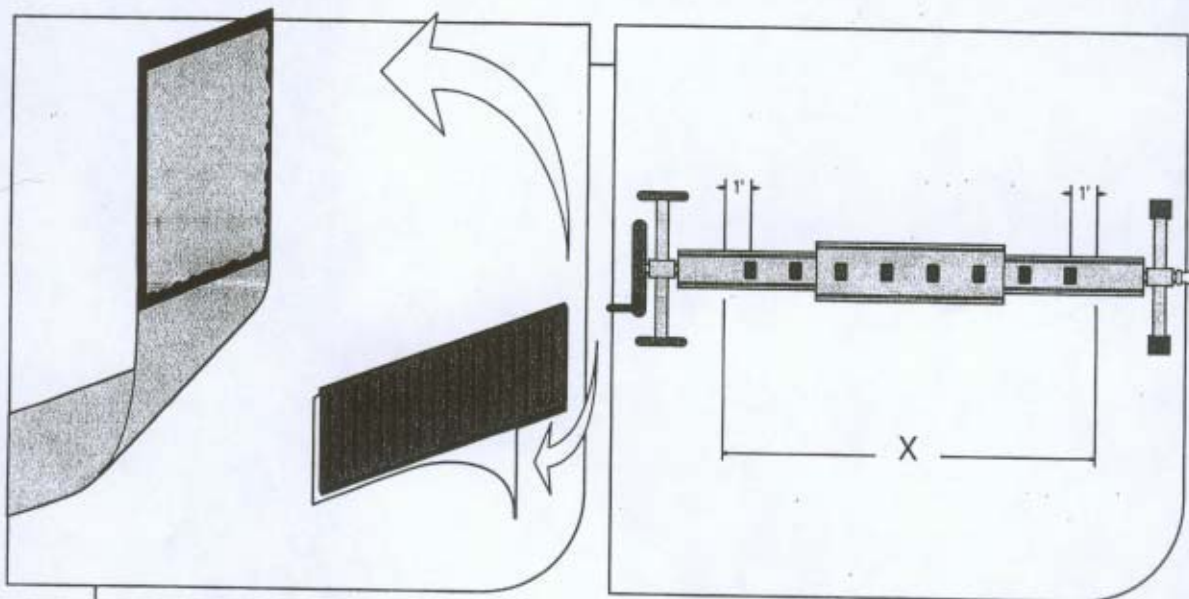


- Fasten 3 screws #6 in the pre-drilled holes at each side of the tube B or the tube E to secure the assembly.



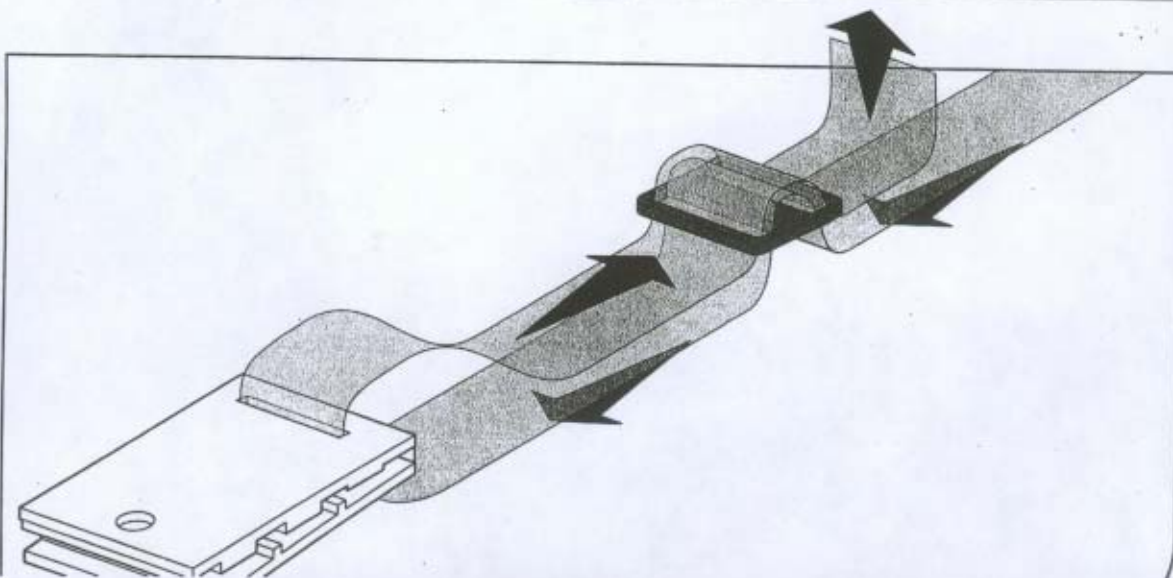
5

- Slide the base plate #3 on the reel #1, onto the ledge. Repeat the operation with the plate #4 and the reel #2.
- For a plastic ledge:*
- Use a self drilling screw #5 to fasten the plates to the ledge.
- For a steel ledge:*
- Use a magic marker to indicate the position of the holes on the ledge. Use a drill to bore the 4 holes. Fasten the plates, with a screw #7, and a nut #8 in each hole.



6

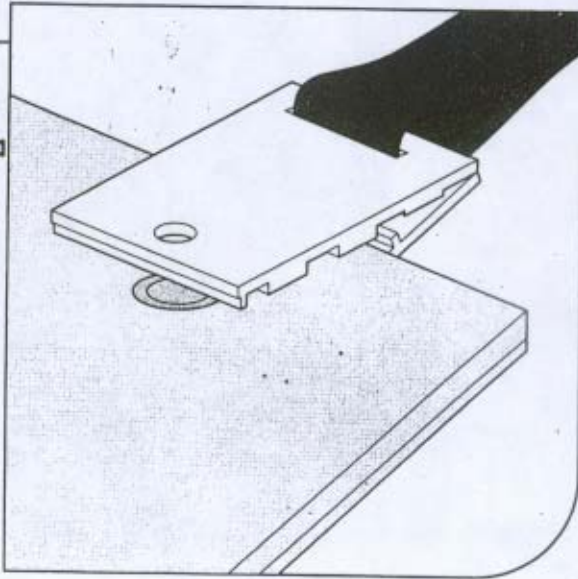
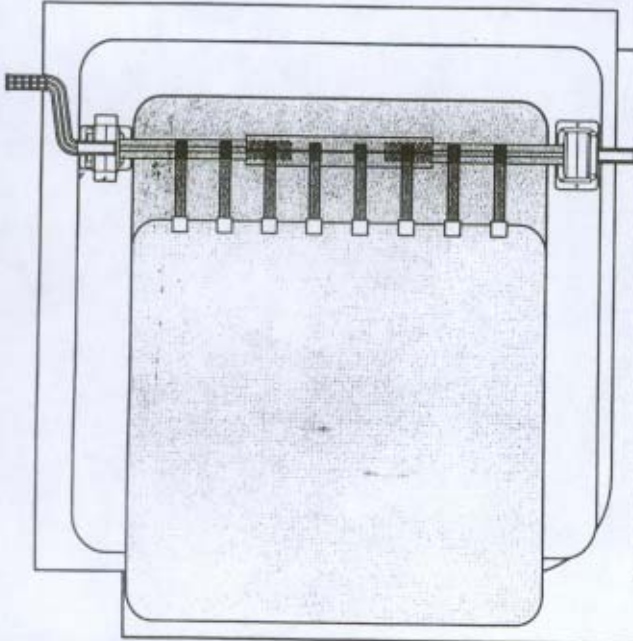
- Detach the 8 male velcro sticker #10 from the straps #9, peel off the protective layer and glue them on the tubes in a straight line at equal distance over the length X as shown.



7

- Assemble the straps #9 to the buckles #11 and to the cover clips #12 as shown on the drawing.
- Do not snap the clip yet.

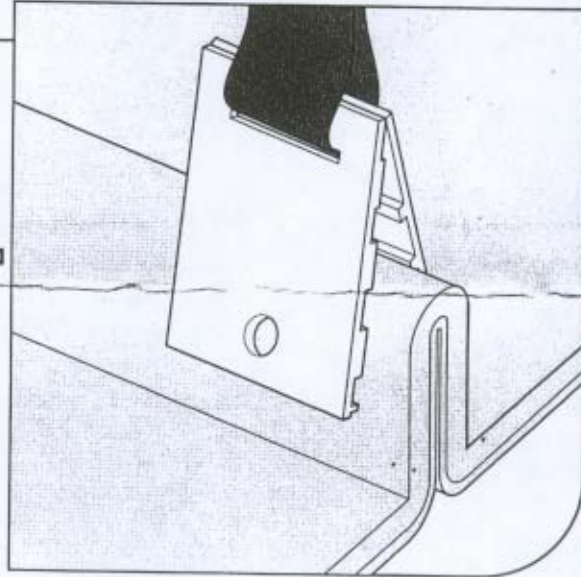
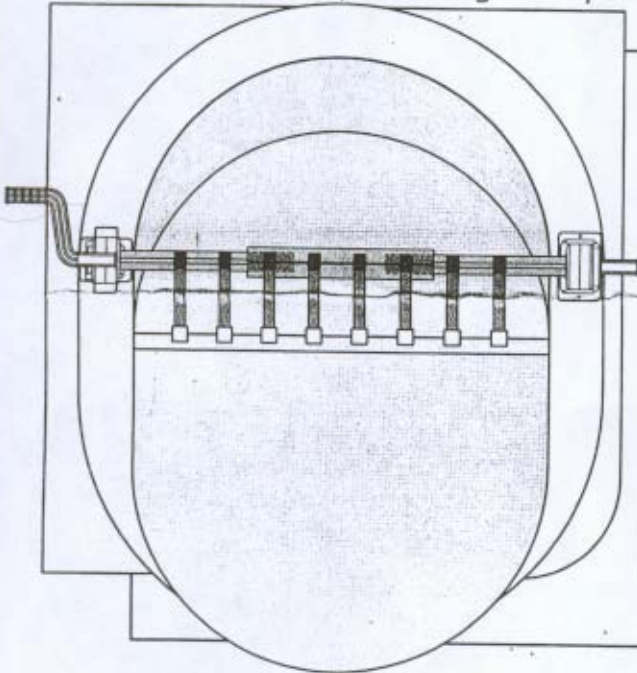
For rectangular shape above ground pool



8a

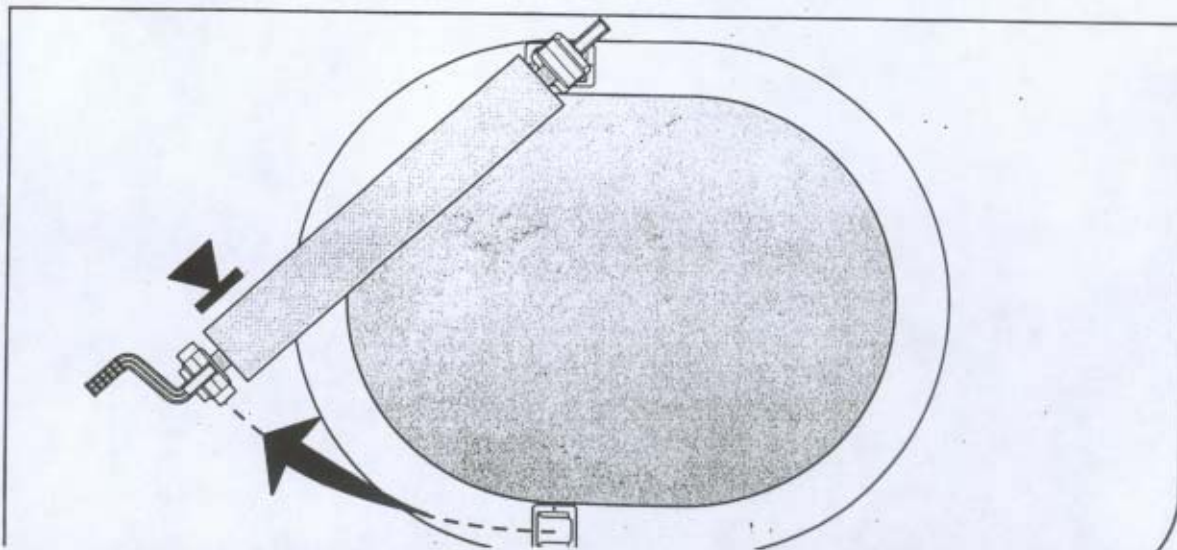
- Open cover over the pool and set into position. Attach the clips #12 in the cover at the same regular intervals as the male velcro sticker on the tubes.
- Ensure that the length of the straps allows the cover to lay flat on the pool, to prevent the wind from getting under the cover.

For round or oval shape above ground pool



8b

- Put your cover in position on the pool, and pinch it like on the drawing.
- Attach the clips #12 in the cover at the same regular intervals as the male velcro sticker on the tubes.
- Ensure that the length of the straps allows the cover to lay flat on the pool, to prevent the wind from getting under the cover.



9

To remove solar reel system, slide out crank handle from base plate and swivel the reel around the pool. Make sure that the reel sits on the ledge or remove it completely.