

INNOVALITE 120V COLOR LED LIGHT # 9015 RGB BT

THIS GUIDE CONTAINS IMPORTANT SAFETY INSTRUCTIONS.
SAVE THESE INSTRUCTIONS.

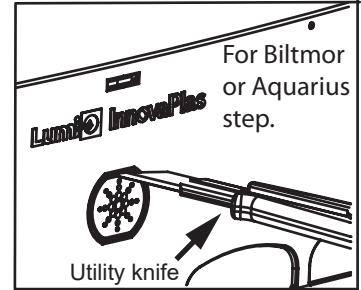
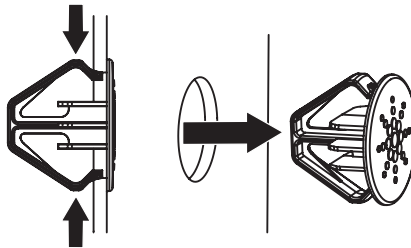
⚠ WARNING

- ◆ Before installations, carefully read the warnings and installation instructions.
- ◆ Risk of electrical shock.
- ◆ Failure to follow the safety instructions can result in death or severe injury.

TABLE OF CONTENTS

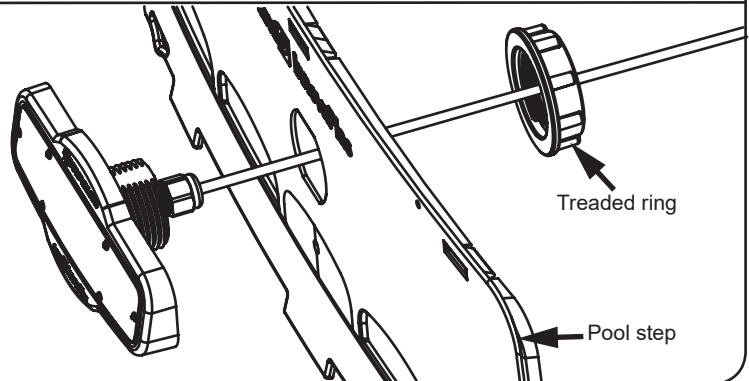
- A) Light installation on the step.
- B) Securing power cord.
- C) Before plugging in the product.
- D) Winter storage.
- E) Safety instructions.

A LIGHT INSTALLATION ON THE STEP

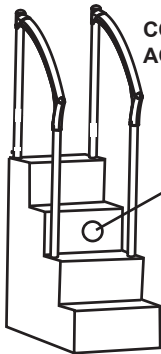


- 1) Remove the Innovaplas round cap from the step by compressing 2 tabs at the back. For the Biltmor or Aquarius step cut the 4 tabs with a utility knife to remove the blank cap.
- 2) Insert the lighting fixture from the outside of the step.
- 3) Fasten the treaded ring and align the fixture properly in the step before tightening. Tighten the ring moderately.

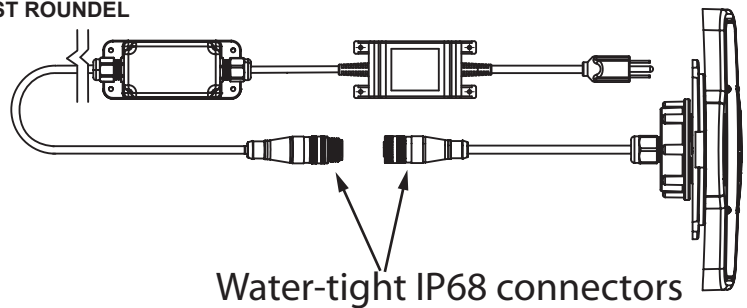
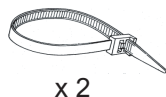
IMPORTANT: Use supplied tie wraps to attach electric cord to a post as shown. Do not submerge the connector the product could be damaged.



REQUIRED FOR SKU # 9015 RGB BT



COMPATIBLE WITH ANY INNOVAPLAS, LUMI-O OR ACCES STEP CONTAINING THE CREST ROUNDEL



Water-tight IP68 connectors



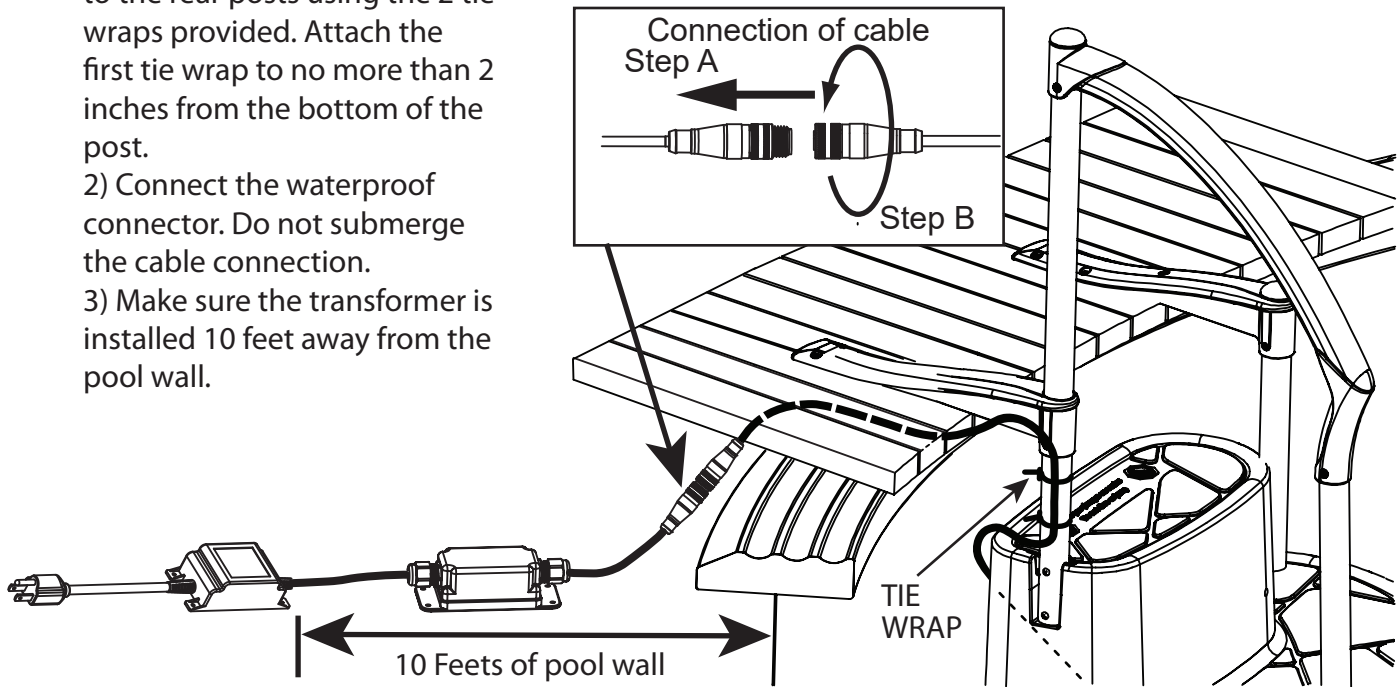
InnovaPlas

LIMITED WARRANTY

90 days on manufacturing defects.
Replacement only.

B SECURING THE POWER CORD

- 1) Firmly attach the power cord to the rear posts using the 2 tie wraps provided. Attach the first tie wrap to no more than 2 inches from the bottom of the post.
- 2) Connect the waterproof connector. Do not submerge the cable connection.
- 3) Make sure the transformer is installed 10 feet away from the pool wall.



C BEFORE PLUGGING IN THE LIGHT

⚠ WARNING

- ◆ Make sure the underwater portion of the power cord has been tied tightly to the step with the tie wraps to prevent any entanglement.
- ◆ Risk of electrical shock. Connect only to a grounding-type receptacle protected by a GFCI. Do not use extension cords for connection. Failure to do so can result in death or severe injury.
- ◆ This is an electrical appliance. Unsupervised use of this product by children can result in death or serious injury.
- ◆ When plugging in the light, be certain the receptacle is GFCI protected and a minimum of 10 feet away from the pool.
- ◆ Before servicing the light unplug the power cord first.

D WINTER STORAGE

⚠ CAUTION

- ◆ The lighting fixture may be damaged if subjected to freezing weather.
- ◆ Disconnect the 3 prong plug from the receptacle for storage.
- ◆ Remove the entire step assembly from the pool and allow all water to drain from the step and dry before storing.
- ◆ Store in a dry location unexposed to winter conditions.

E SAFETY INSTRUCTIONS

- ◆ Except when the luminaire is installed in an area of the swimming pool that is not used for swimming and the lens is adequately guarded to keep any person from contacting it, the luminaire shall be installed in or on a wall of the pool, with the top of the lens opening not less than 457mm (18 inches) below the normal water level of the pool.
- ◆ This light can only be installed on permanent above ground pools.
- ◆ Submerge before lighting to a maximum depth of 54 inches or 1.5 meters.
- ◆ To reduce the risk of electrical shock, if any cord becomes damaged, return the entire transformer assembly for repair or replacement.
- ◆ Risk of electrical shock. Connect only to a grounding type circuit protected by a ground fault circuit interrupter (GFCI). Contact a licensed electrician if you cannot verify that the receptacle or circuit is protected by a GFCI. Do not use an extension cord. Locate your pool so that the wall is at least 10 feet from all electrical receptacles and at least 20 feet from all receptacles not protected by a GFCI.
- ◆ Do not use the light if the plastic lens is damaged.
- ◆ Do not operate the light when not fastened to the step.



REV. 21/01/2019

INNOVAPLAS
2257, Route 139
Drummondville, QC.
Canada J2A 2G2
WWW.INNOVAPLAS.COM