

ABOVE GROUND POOL

OVAL

INSTALLATION MANUAL

95-0444

ABOVE GROUND POOL SAFETY

PLEASE READ BEFORE INSTALLATION



WARNING

FAILURE TO HEED THESE WARNINGS CAN RESULT IN PERMANENT INJURY, PARALYSIS FROM A BROKEN NECK, ELECTROCUTION OR DROWNING.

THIS POOL IS NOT DESIGNED FOR DIVING OR JUMPING!
DANGEROUS INJURY CAN RESULT. SHALLOW WATER!

Carefully read, understand and follow all information in this user manual before installing and using the swimming pool. These warnings, instructions and safety guidelines address some common risks of water recreation, but they cannot cover all risks and dangers in all cases. Always use caution, common sense and good judgment when enjoying any water activity. **RETAIN THIS INFORMATION FOR FUTURE USE.**

Your pool contains a large quantity of water, and is deep enough to present inherent dangers to life and health unless the following safety rules are strictly observed. First-time users run the highest risk of injury. Make sure everyone understands and encourage all users especially children to learn how to swim. Learn Basic Life Support (Cardiopulmonary Resuscitation-CPR) and refresh this knowledge regularly. Instruct all pool users, including children, what to do in case of an emergency. Keep a working phone and a list of emergency phone numbers near the pool. This can make a life-saving difference in the event of an emergency. To ensure your pool is used safely you **MUST** observe the following safety precautions:

1. NO JUMPING OR DIVING

The top rail of your pool is not a walkway and must not be used for jumping or diving. Do not permit jumping or diving into the pool from a deck or the top rail of the pool. Diving or jumping into the pool can result in serious injury.

2. NEVER USE THE POOL ALONE

Never permit the pool to be used unless it is attended by at least one person other than the bather. Someone should always be available to lend assistance in an emergency. Designate a competent adult to supervise the pool each time it is being used. Vigilant supervision of weak swimmers and non-swimmers by a competent adult is required at all times, remembering that children under five are at the highest risk of drowning.

3. NEVER LEAVE CHILDREN UNATTENDED

Never leave a child alone and unsupervised in or near the pool—not even for a second. There is no substitute for constant adult supervision.

4. NO ROUGH PLAY

Do not permit "roughhousing" in and around your pool. Surfaces can become slippery and hazardous when wet.

5. LIGHT THE POOL AT NIGHT

If the pool is used after dusk, adequate lighting must be provided. Illumination in the pool area must be sufficient to clearly judge pool depth and all features in and around the pool. For lighting recommendations, consult your local licensed electrical contractor

6. RESTRICT ACCESS TO THE POOL

Do not leave chairs or other furniture beside the pool that could be used by a child to climb up into the pool. Ladders must be removed whenever the pool is unattended. A fence with a lockable gate around the pool or yard is strongly recommended and may be required by law in some jurisdictions. Secure doors and windows, where applicable to prevent unauthorized access to the swimming pool. Remove all toys from the swimming pool and surrounding area when not in use to avoid attracting children to the pool. Barriers, pool covers, pool alarms or similar safety devices are helpful aids, but they are not substitutes for continuous adult supervision.

7. NO ALCOHOL OR DRUGS

Never drink alcoholic beverages, use any intoxicants or medication which could hinder your judgment and reflexes.

8. KEEP YOUR POOL CLEAN AND SANITARY

Your filter system will remove suspended particles from the water and the surface skimmer will remove insects, leaves and other debris from the water surface. Use the correct pool chemicals as directed to destroy harmful bacteria and prevent formation of algae. Remember, unsanitary water is a serious health hazard.

9. KEEP OFF TOP LEDGES

Do not walk on top ledges. They can be slippery and they are not a walkway.

10. POOL COVER SAFETY

The cover must have a tamperproof locking retainer cable that positions the cover around the pool wall and keeps it securely in place. Never allow anyone, especially small children on the cover. Asphyxiation or drowning could result. Be sure to remove pool cover completely from the water surface before entering the pool. When purchasing any pool cover, please consult a swimming pool professional.

11. ELECTRICAL HAZARD

Never touch or attempt to service electrical equipment, including the filter when your body and/or the ground is wet. Electrocution or permanent injury due to high voltage (120V AC) could result. The pool should be bonded in accordance with Section 680-26 of the National Electrical Code. For further assistance contact your dealer or a local licensed electrician. Do not use pool during electrical or rain storms.

12. SAFETY EQUIPMENT

Keep a safety rope 1/4" by 50" with a flotation buoy with an outside diameter of 15". Have accessible in a prominent area by your pool. Keep a pole not less than 16 feet (4,88m) long with a blunt or hook end available at poolside in case of emergencies. Weak swimmers and non-swimmers should wear personal protection equipment when using the pool.

13. POOL CHEMICALS

Store pool chemicals out of the reach of children. Do not place chlorine, chlorine tablets or sticks directly into skimmer, or winterize your pool with liquid chlorine. Damage to the skimmer, pool liner and filter will result. Failure to obey this instruction will void all component warranties. Always follow chemical manufacturer's instructions when storing, handling and dispensing pool chemicals.

14. CHECK FOR DAMAGE

Periodically check your pool and ladder components for damage and wear. Be sure all screws are in place. Replace all damaged or worn components and tighten all screws before you use the pool, deck or ladders. At first sign, remove rust and touch up immediately.

15. POOL PARTS

Never modify the pool or accessories, or remove or drill holes in the pool, deck or ladder components unless instructed. Your pool wall is made of thin metal, there is an inherent cut hazard with metal so use gloves during installation. Always use Original Equipment Manufactured parts for your replacement parts.

FOLLOW ALL SAFETY INSTRUCTIONS

Read and follow all safety instructions packaged with pool, ladder, deck or any other accessory. Additional pool safety publications can be obtained by contacting: The Association of Pool & Spa Professionals (www.apsp.org)



IMPORTANT NOTICE READ BEFORE INSTALLATION!

The safety stickers must be installed as per following instructions. Failure to properly install warning labels will void warranty. Failure to mount these safety labels may subject you to substantial liability in case of injury. These warnings are not to be removed under any circumstances! If they become discolored or fall off please request replacements which will be sent at no charge.

PLACE SIGN ON LINER ABOVE WATER LINE, OPPOSITE ENTRY TO POOL



PLACESIGNON WALL NEXT TO POOL ENTRY



REMEMBER WATCH CHILDREN



IMPORTANT INFORMATION ABOUT YOUR LINER

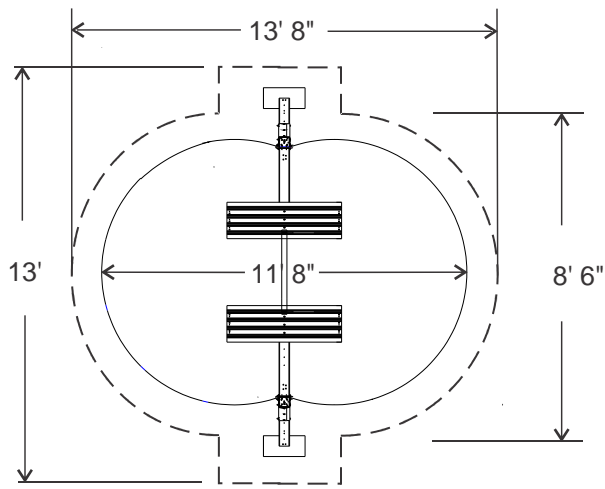
We do not make or supply liners for our pools.

Please contact your liner's manufacturer with questions or if instructions are not included with the liner.

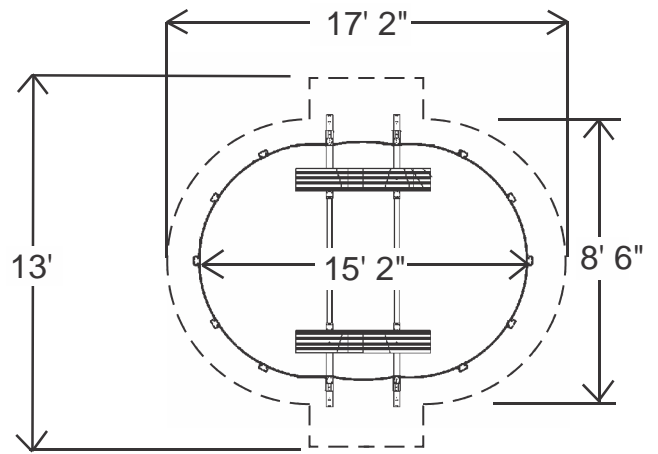
Liner must be installed per the liner manufacturer's instructions.

Incorrect liner installation may void the warranty.

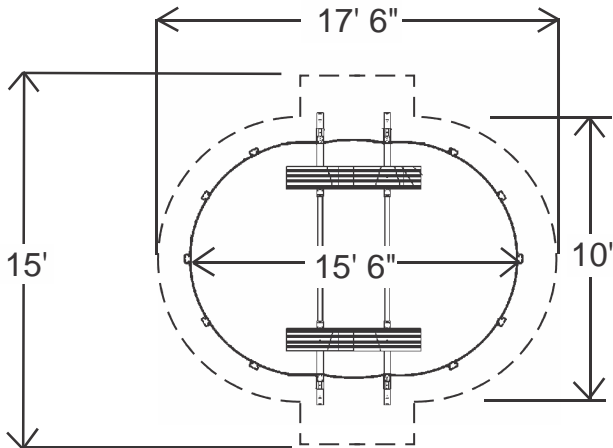
BUTTRESS-FREE POOL SIZES



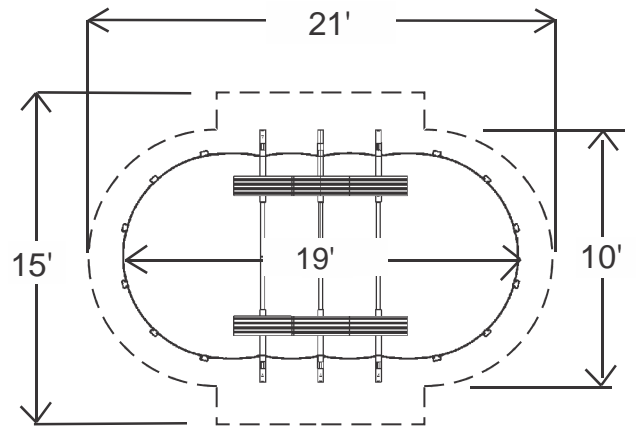
8 x 12



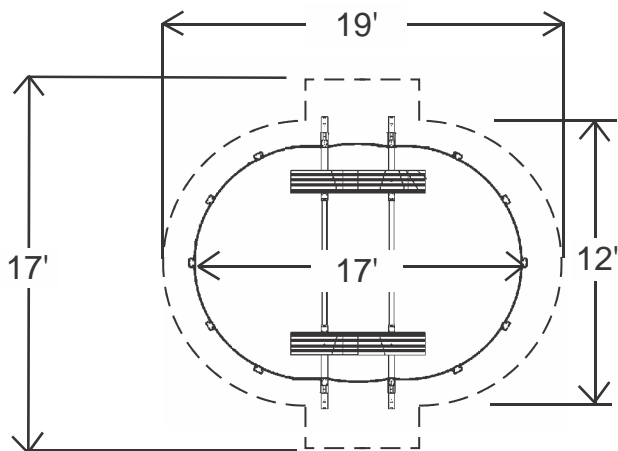
8 x 15



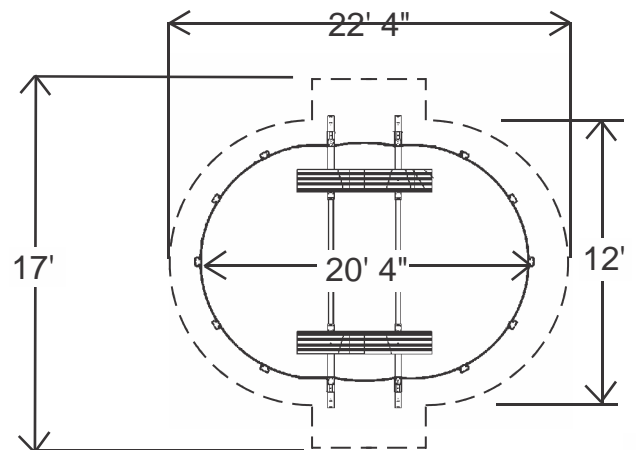
10 x 16



10 x 19



12 x 17

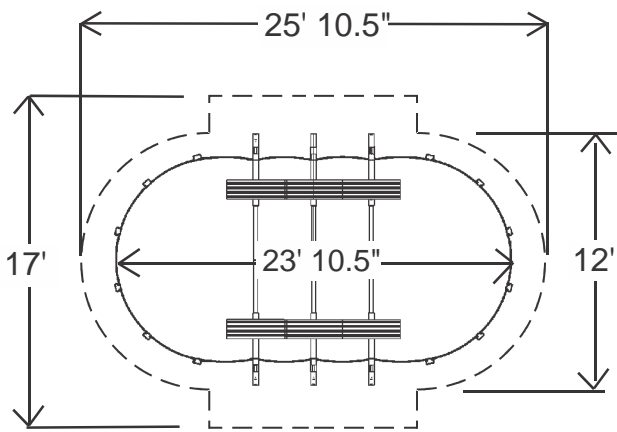


12 x 20

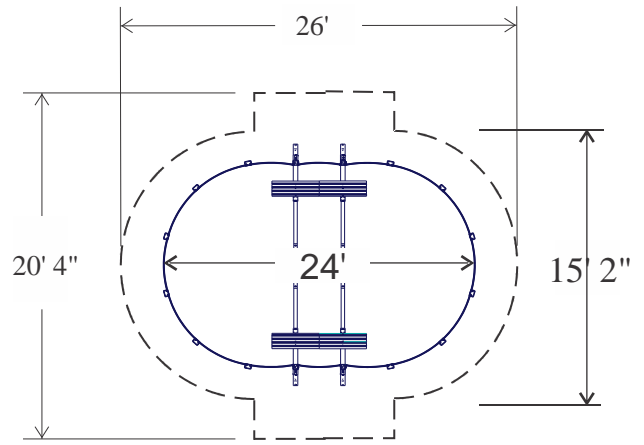
Note: All above diagrams are for Butters-Free oval pools. If you have a traditional Butters oval pool, you will need to add 3 feet to the width of the space needed for installation. The length measurement will not change.

- Actual size of pool.
- - - - - Space needed for installation.

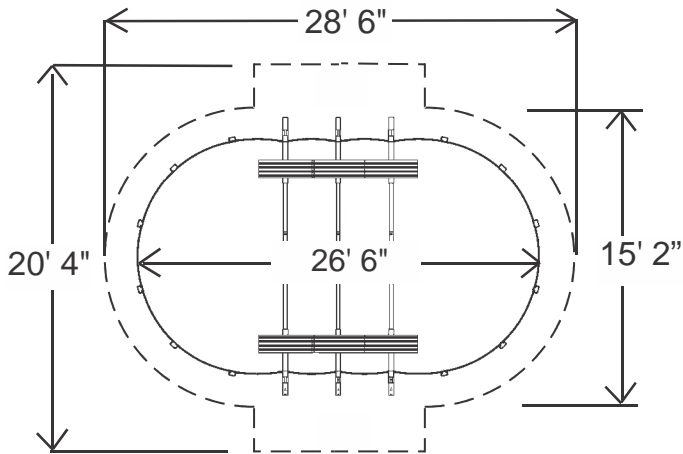
BUTTRESS-FREE POOL SIZES



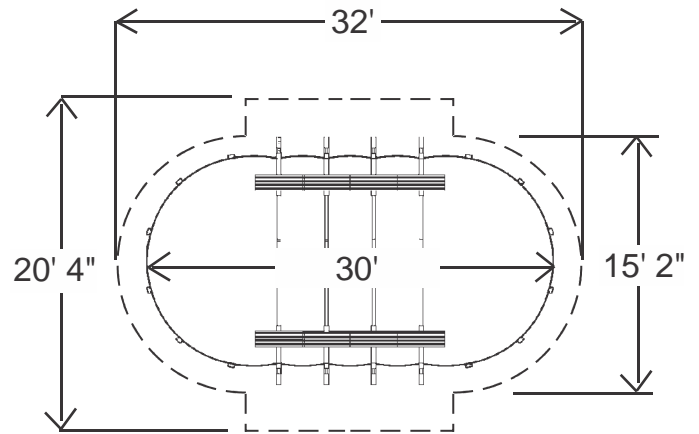
12 x 24



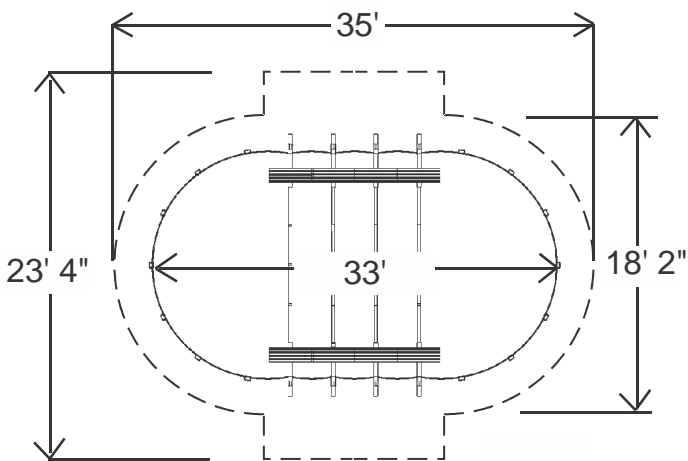
15 x 24



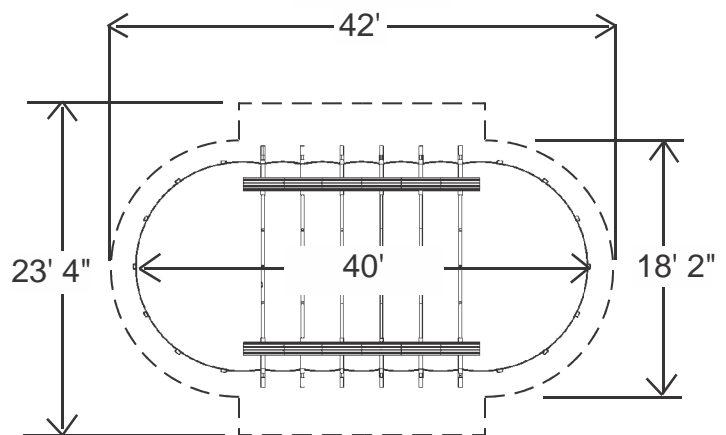
15 x 26



15 x 30



18 x 33

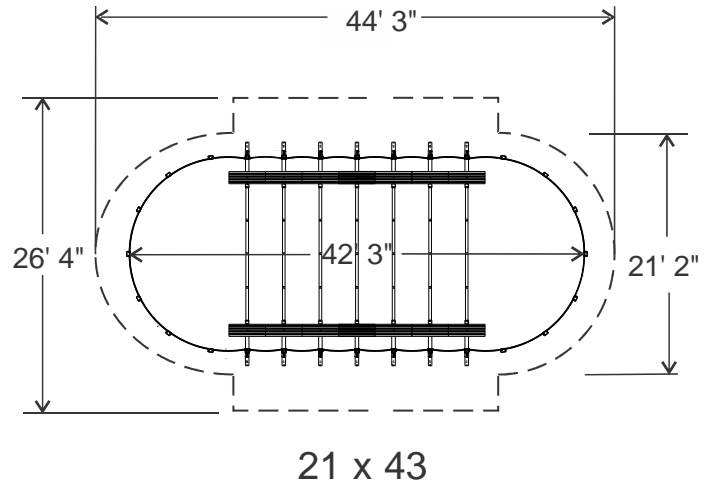
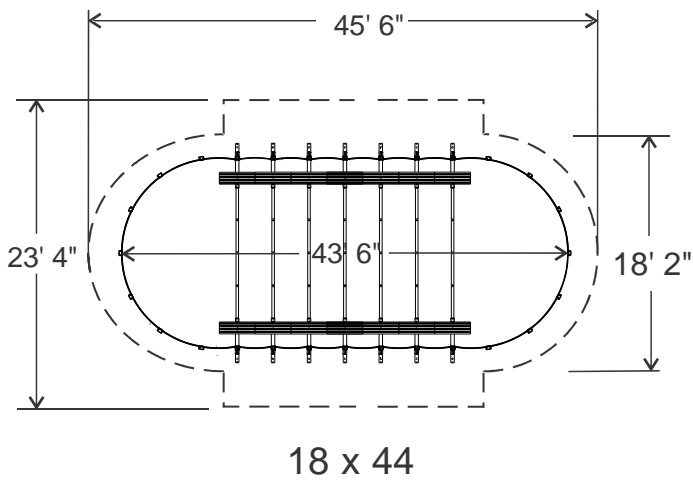


18 x 40

Note: All above diagrams are for Butress-Free oval pools. If you have a traditional Butress oval pool, you will need to add 3 feet to the width of the space needed for installation. The length measurement will not change.

- Actual size of pool.
- - - - Space needed for installation.

BUTTRESS-FREE POOL SIZES



Note: All above diagrams are for Buttress-Free oval pools. If you have a traditional Buttress oval pool, you will need to add 3 feet to the width of the space needed for installation. The length measurement will not change.

- Actual size of pool.
- - - - Space needed for installation.

INTRODUCTION:

Congratulations on becoming the owner of a new above ground swimming pool. This is the instruction packet for installing your swimming pool. The following are some helpful hints that you should take into consideration before installing your pool.

- 1) Read through the entire instruction booklet before you begin. This will enable you to find out exactly what is involved with installing your swimming pool before you begin. While you are going through the instructions, please be aware that all of the diagrams are representative of a 15' x 30'/18' x 33' pool. If you have a different size pool you will find that your pool has a different number of uprights than the ones in the diagrams.
- 2) **DO NOT ATTEMPT INSTALLATION IN WINDY OR GUSTY WEATHER** This will not only make installation more difficult, it may result in damage to your pool before it is completely installed.
- 3) Although we have broken down the installation into many simple steps, you will probably find that Steps 1 and 2 will be the most labor intensive and time consuming steps. Once you have completed those two steps you should find that the rest of the installation moves along much more quickly.
- 4) Please be sure to review all safety material and local codes before beginning your installation. There is a yellow safety envelope packed with your pool. This envelope contains safety material and warning stickers to be placed on your pool. If you are missing any of these items please contact your dealer or the factory to obtain it. The warranty is void if all safety precautions are not followed.
- 5) In the event that you need to make a warranty claim, it is important to know the size and model of your swimming pool in order to expedite the handling of your claim. Please fill in the information below and keep for your records. All of this information can be found on the labels attached to the cartons your pool is packed in.

NAME OF POOL: _____

SIZE OF POOL: _____

DATE OF PURCHASE: _____

NAME OF POOLWALL: _____

NAME OF LINER: _____

- 6) Make sure you have the necessary tools and materials before beginning your installation. Below is a list of the tools and materials needed.

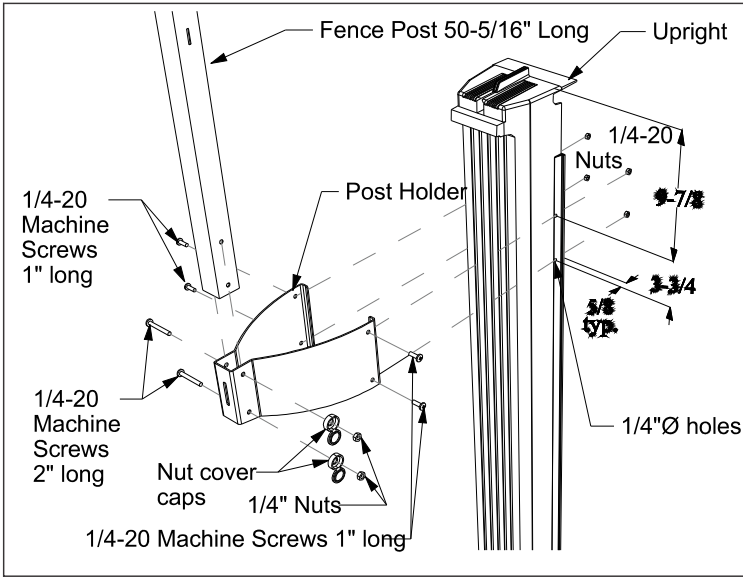
- | | |
|-----------------------------|--|
| - Shovel | - Carpenters level and/or transit (Optional) |
| - Tape measure | - Patio Blocks (2" x 8" x 16") |
| - Phillips head screwdriver | - Box cutter (Razor blade) |
| - Duct tape | - Tamp |
| - Sand | - 5/16" wrench |
| - Filter | - 1/4" wrench |
| - Skimmer/Return fitting | |

IMPORTANT!

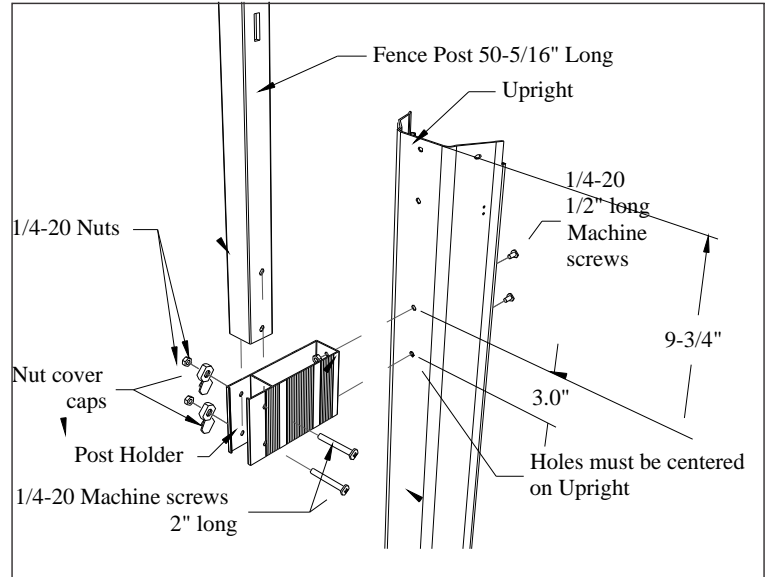
If you are installing a fence on your pool, you will need to install post holders on your uprights **BEFORE** you install the uprights on the pool.

Please refer to your Fence Installation Instructions for details.

Plastic Upright



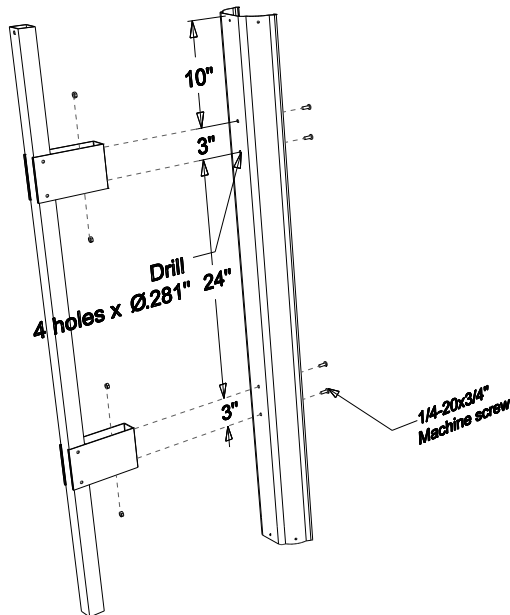
Metal Upright



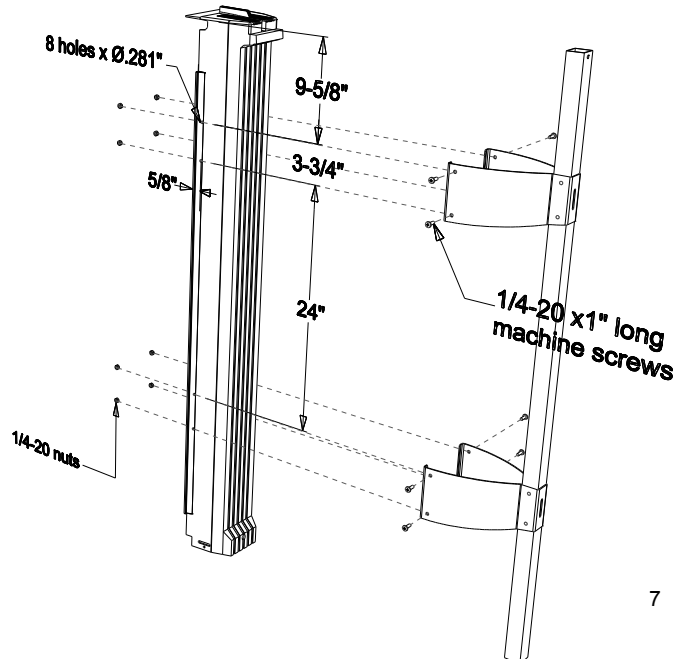
If you are installing a deck on your pool, then part of the deck support system must be installed on your pool uprights **BEFORE** you install the uprights on the pool.

Please refer to your Fence Installation Instructions for details.

Metal Upright

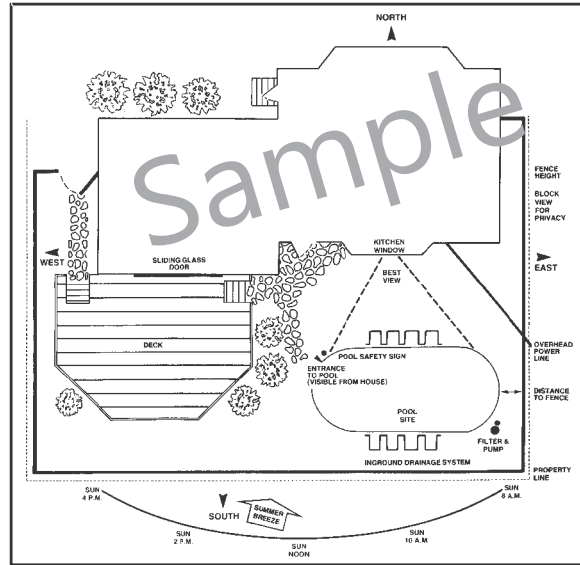


Plastic Upright



POOL LOCATION:

Do not locate pool over underground lines, septic tanks, under electrical lines, near hazardous structures, or out of local code restrictions. It is essential that the area selected for your pool has a level and firm base. Do not assemble your pool on asphalt, tar or oil base surfaces. Avoid areas with sharp objects, or ground treated with weed killer or other chemicals. Also avoid areas where nut grass, Bermuda grass or bamboo grass grows, as they can grow through your liner. Grass must be removed. Do not place components such as filters, pumps, and heaters in a way that they can be used as a means of access to pool by young children. Be sure to follow all local building codes and obtain all building permits required for your area.



- *BE SURE TO AVOID:**
- All electrical wires
 - All gas lines
 - Septic tanks
 - Cesspools
 - Dry wells
 - Tree roots/ stumps
 - buried debris(trees, building material, etc.)
 - sudden slopes within 6' of pool area

Fig. 1

STEP 1 – PREPARING THE SITE:

Refer to the "True Size" diagram on the second page to see the dimensions of your swimming pool. Once you have these measurements and have chosen a site to install your pool, mark or outline the ground where the pool will be going using spray paint or some other marking agent. Please keep in mind that you will need some extra room to work. Be sure to account for the space that the side supports extend out on each side of an oval pool. The strap end channel extends out 37" from the wall of the pool on each of the two straight sides of a Traditional Buttress Oval. If you have a Buttress-Free Oval Pool, the strap end channel extends only 19" out from the wall on each side. Refer to the "Actual Size" chart for further clarification.

For example, a 15x30 oval should have the following space in order to install the pool.

Traditional Buttress Oval:

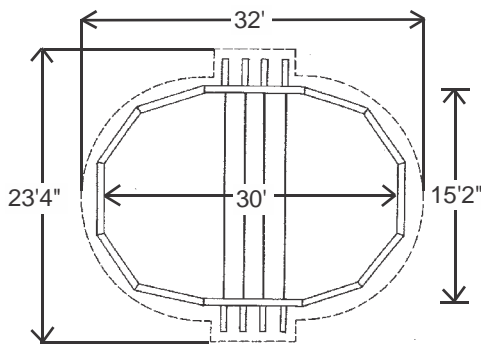


Fig. 2 15 x 30

Buttress-Free Oval:

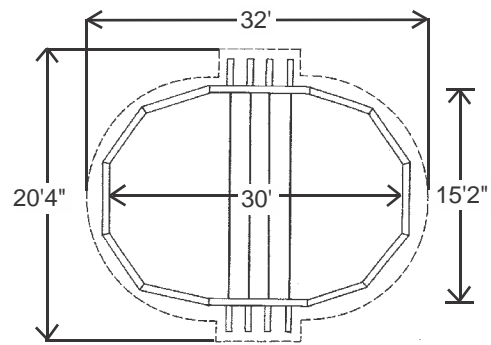


Fig. 2A 15 x 30

***Once you have the appropriate area marked out, remove any sod that is in the area. Also be sure to avoid all electrical wires, gas lines, septic tanks, cesspools, dry wells, tree roots, stumps, buried debris, and sudden slopes within 6' of the pool area.**

STEP 2 – LEVELING:

Once you have designated the space for installation, and have cleared away the sod in that area, you can begin to level the ground. The ideal tool for doing this is a transit. If you do not have access to a transit, use a long board (be sure that the board is perfectly straight) and a carpenter's level, as shown in the diagram. The key to properly leveling the surface for an above ground swimming pool is to start at the lowest point and dig everything else down to that level. You do not want to build up the lower areas to be level with the higher areas. Doing this will cause the ground to settle once the pool is full of water. If the ground settles it could destroy your pool, which could be dangerous and is not covered under the warranty.

You will probably not be able to get the ground completely level until you lay out the frame, but the closer you get it now the easier the job will be later. We recommend that you do not proceed until the entire site is within an inch of being perfectly level.

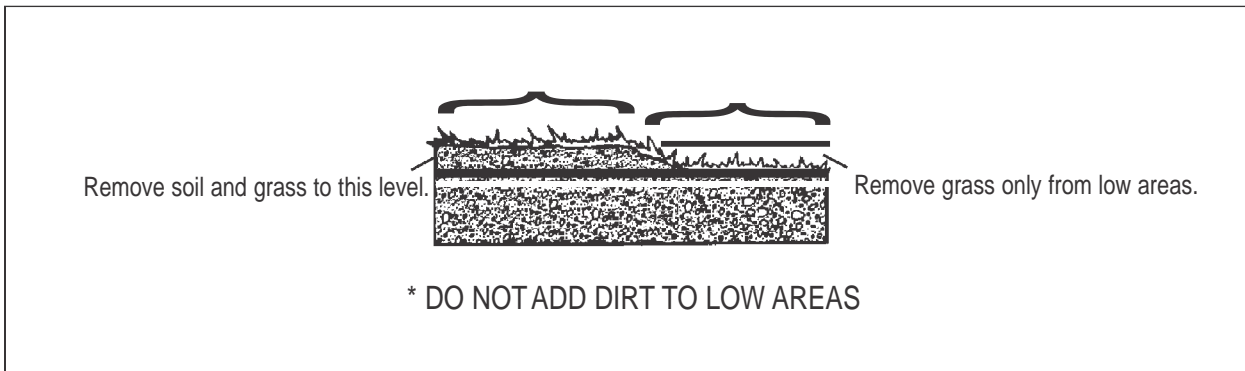


Fig. 3

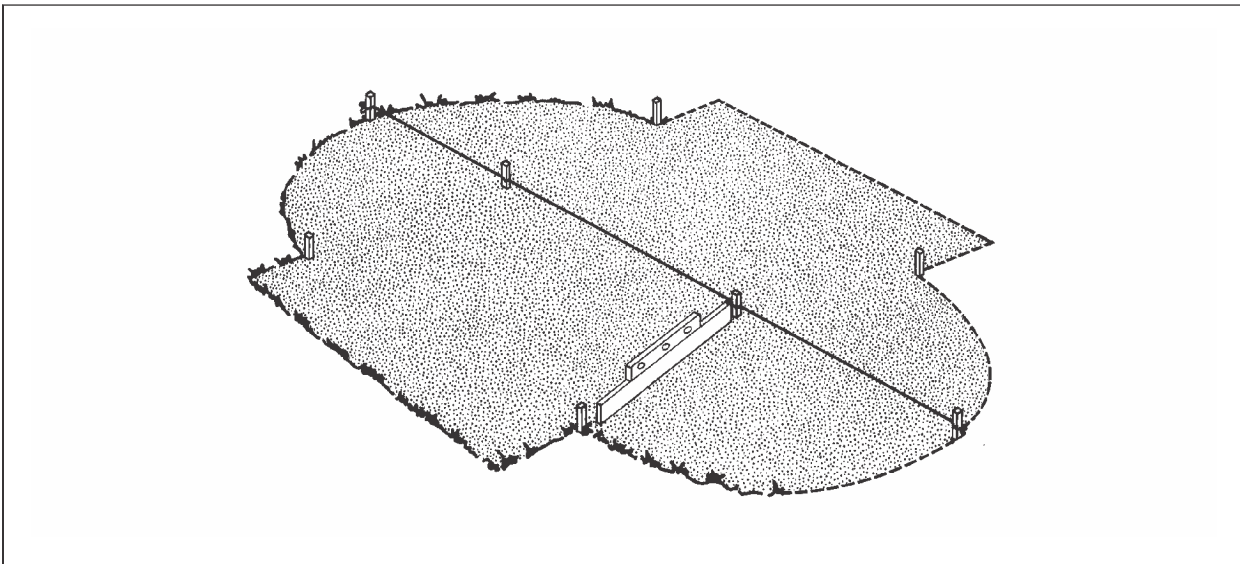


Fig. 4

STEP3 – UNPACKING THE POOL:

At this point you should open all of the cartons that have come with your pool. Separate all of the parts, becoming familiar with each by checking them against the specific parts breakdown sheet packed in the yellow envelope. Count the number of each part and check that against the packing list as well. This way if you are missing something you can contact the people you purchased the pool from before you begin the construction of the pool.

Below are some generic diagrams of oval pool components to help you identify the parts and where they will be used. **IMPORTANT: Do not attempt to assemble these parts now. Once you confirm that you have all of the components needed for your pool, continue on with the instructions.**

TRADITIONAL BUTTRESS OVAL ASSEMBLY

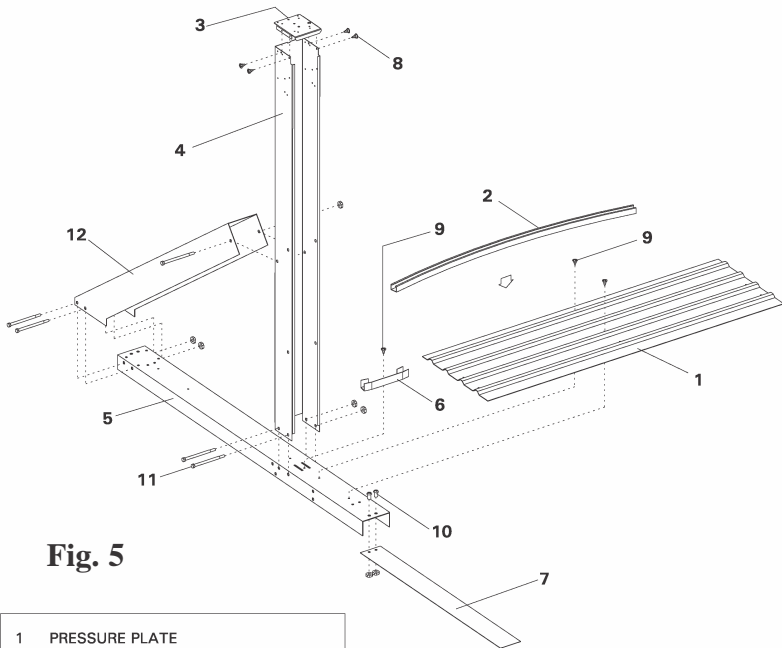


Fig. 5

- | | |
|----|--------------------------------|
| 1 | PRESSURE PLATE |
| 2 | BOTTOM RAIL, STRAIGHT SIDE |
| 3 | STRAIGHT SIDE TOP PLATE |
| 4 | STRAIGHT SIDE 4"x4" UPRIGHT |
| 5 | CHANNEL, 2" TALL |
| 6 | STRAIGHT SIDE BOTTOM CONNECTOR |
| 7 | STRAP |
| 8 | SCREWS, #10 X 1/2" |
| 9 | SCREWS, #12 X 3/4" |
| 10 | BOLTS, 5/16-18 X 1/2" |
| 11 | BOLTS, 5/16-18 X 5" |
| 12 | TRADITIONAL BUTTRESS STRUT |

BUTTRESS-FREE OVAL ASSEMBLY:

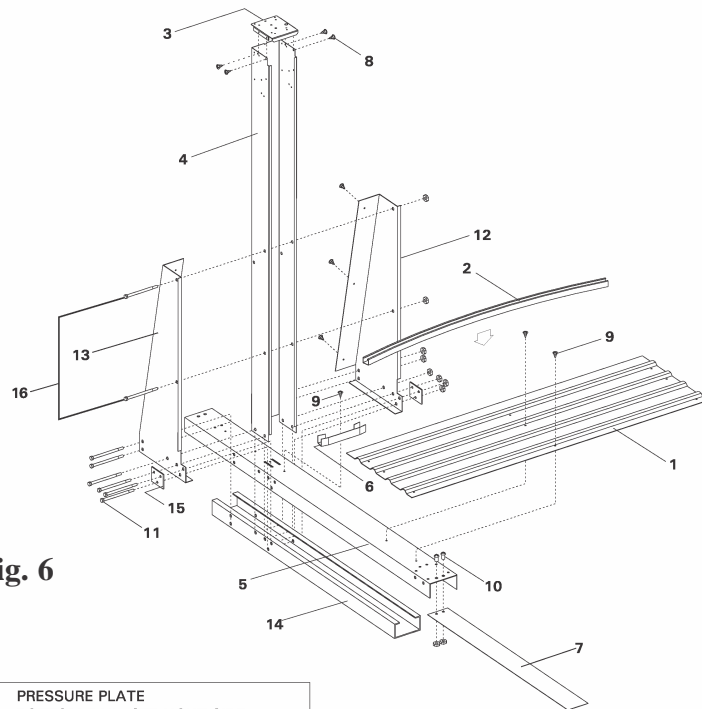


Fig. 6

- | | |
|----|------------------------------------|
| 1 | PRESSURE PLATE |
| 2 | BOTTOM RAIL, STRAIGHT SIDE |
| 3 | STRAIGHT SIDE TOP PLATE |
| 4 | STRAIGHT SIDE 4"x4" UPRIGHT |
| 5 | CHANNEL, 2" TALL |
| 6 | STRAIGHT SIDE BOTTOM CONNECTOR |
| 7 | STRAP |
| 8 | SCREWS, #10 X 1/2" |
| 9 | SCREWS, #12 X 3/4" |
| 10 | BOLTS, 5/16-18 X 1/2" |
| 11 | BOLTS, 5/16-18 X 5" |
| 12 | GUSSET, LEFT SIDE (Buttress-Free) |
| 13 | GUSSET, RIGHT SIDE (Buttress-Free) |
| 14 | UNDER BOX CHANNEL |
| 15 | WASHER, 3 HOLE |
| 16 | BOLTS, 5/16-18 X 5" |

STEP 4 - PRE-ASSEMBLING THE STRAIGHT SIDES OF A TRADITIONAL BUTTRESS OVAL POOL ONLY:

***** THESE INSTRUCTIONS ARE FOR TRADITIONAL BUTTRESS OVAL POOLS ONLY! IF YOU HAVE A**

A) Start by laying the strap end channels out on the ground so that the open ends face down. Notice the two slots on top of each of these channels. You will not be using these slots in the construction of the pool, but pay attention to where they are located in the diagrams. They indicate which way the channels are facing. See Fig.7

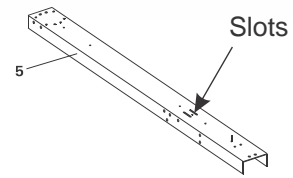


Fig. 7

B) Now take the straight side 4"x4" Upright and push it down over the strap end channel where those slots are located. Position the open end of the straight side upright to face the short end of the channel (the inside of the pool) as shown in Fig.8. The two holes on each side of the upright should line up with two of the holes on each side of the strap end channel. Secure the parts with two 5/16" x 5" bolts and two 5/16" nuts. Repeat for all assemblies.

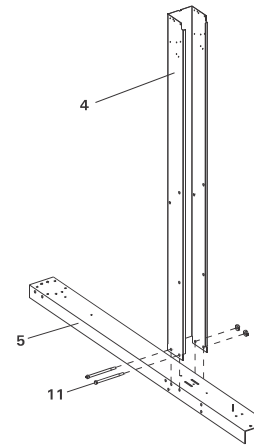


Fig. 8

C) Once all of the straight side uprights are attached, you can begin attaching the struts. This is done by pushing the angled end of the strut (the end with two holes on each side) over the end of the strap end channel and the other side around the straight side upright. The hole on each side of the strut lines up with the hole in the straight side upright that is farthest from the open end of the straight side upright. The two holes on the other end of the strut line up with the only two holes in the back end of the strap end channel. Secure the struts using three 5/16" x 5" bolts and three 5/16" nuts. See Fig.9 for visual instructions.

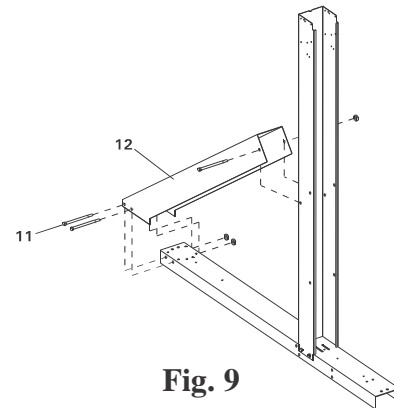


Fig. 9

D) Now you can install the straight side bottom rail connectors. Use one per strap end channel. Place the connector on top of the strap end channel so that the open part of the connector sits inside the straight side upright. The hole in the straight side connector will line up with the hole between the two slots on the strap end channel. Secure the piece using a #12 x 3/4" screw. See Fig.10 for visual instructions.

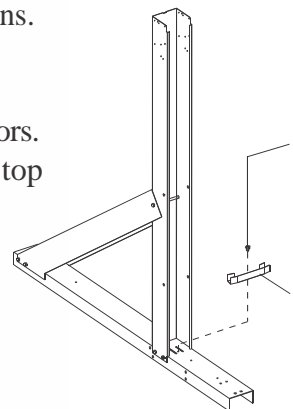


Fig. 10

PART IDENTIFIER

1	PRESSURE PLATE
2	BOTTOM RAIL, STRAIGHT SIDE
3	STRAIGHT SIDE TOP PLATE
4	STRAIGHT SIDE 4"x4" UPRIGHT
5	CHANNEL, 2" TALL
6	STRAIGHT SIDE BOTTOM CONNECTOR
7	STRAP
8	SCREWS, #10 X 1/2"
9	SCREWS, #12 X 3/4"
10	BOLTS, 5/16-18 X 1/2"
11	BOLTS, 5/16-18 X 5"
12	TRADITIONAL BUTTRESS STRUT

*Please do not be alarmed if you are not using all of the holes in the strap end channels. We use this same channel for a few different products so there are some holes that you will not be using for this pool.

Please follow diagrams to be sure you are using all of the correct holes.

ALTERNATE STEP 4 -

PRE-ASSEMBLING THE STRAIGHT SIDES OF A BUTTRESS-FREE OVAL POOL ONLY:

*** IF YOU HAVE A TRADITIONAL BUTTRESS OVAL, PLEASE REFER TO THE

A) Start by laying out the under box channels so that the open sides of each under box channel is facing up. Then slide the strap end channel over the top of the under box channels so that they form a tube. Be sure that the holes in both channels are aligned, but do not bolt them together yet. See Fig. 11

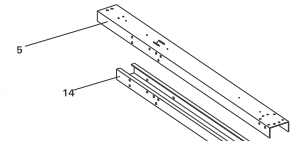


Fig. 11

B) Now slide the straight side 4"x4" uprights over the strap end channels making sure that the holes line up as shown in Fig.12.

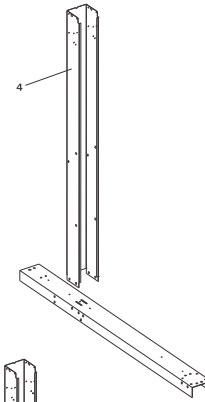


Fig. 12

C) Once the straight side 4"x4" uprights are attached, apply the left and right side gussets on each. The pieces are marked "L" and "R". The gussets are applied under the channels and around the straight side upright. Once you have them in place screw the left and right gussets to each other using three #10 screws. See Fig.13 for visual instructions.

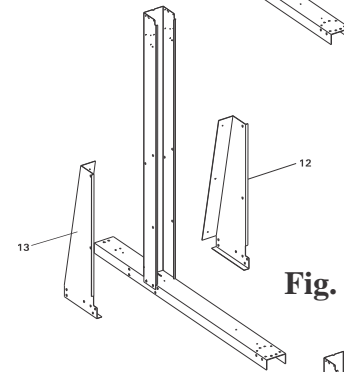


Fig. 13

D) All holes should be lined up at this point. Bolt the components together as shown in the diagram. Use 5/16" x 5" long bolts and 5/16" nuts for the channels, and 5/16" x 5" long steel bolts for connecting the gussets to the uprights. Remember to include the three-hole plate at the fronts of the gussets. If these washers are left off your pool will break! See Fig.14 for visual instructions.

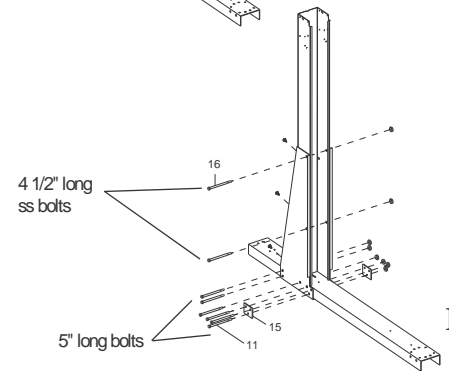


Fig. 14

E) Once all of the 5" long bolts have been tightened, install the straight side bottom connectors. This is done by placing the connector on top of the strap end channel just inside the straight side upright. The hole in the connector should line up with the hole in the strap end channel. Secure the connector to the channel using a single # 12 x 3/4" screw for each as shown in Fig.15.

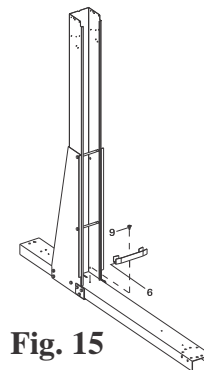


Fig. 15

PART IDENTIFIER

1	PRESSURE PLATE
2	BOTTOM RAIL, STRAIGHT SIDE
3	STRAIGHT SIDE TOP PLATE
4	STRAIGHT SIDE 4"x4" UPRIGHT
5	CHANNEL, 2" TALL
6	STRAIGHT SIDE BOTTOM CONNECTOR
7	STRAP
8	SCREWS, #10 X 1/2"
9	SCREWS, #12 X 3/4"
10	BOLTS, 5/16-18 X 1/2"
11	BOLTS, 5/16-18 X 5"
12	GUSSET, LEFT SIDE (Buttress-Free)
13	GUSSET, RIGHT SIDE (Buttress-Free)
14	UNDER BOX CHANNEL
15	WASHER, 3 HOLE
16	BOLTS 5/16-18 X 5"

*Please do not be alarmed if you are not using all of the holes in the strap end channels. We use this same channel for a few different products so there are some holes that you will not be using for this pool. You will also have 3 extra 5/16" x 5" steel bolts per upright when installing the Buttress-Free system.

Please follow diagrams to be sure you are using all of the correct holes and hardware.

ALTERNATE STEP 5 – STRAP ASSEMBLY FOR BUTTRESS-FREE OVAL POOLS ONLY:

*****USE THIS STEP FOR TRADITIONAL BUTTRESS OVAL INSTALLATION ONLY! IF YOU HAVE A BUTTRESS-FREE OVAL, PLEASE SEE ALTERNATE STEP 5.**

Notice that there are two different sizes of strap packed with your pool. Each strap is stamped with a part number and a length.

- A) If your pool is 10' wide, each strap will be made up of three pieces. Two of the pieces will measure 27.25" long and one will measure 39.275" long.
- B) If your pool is 12' wide, each strap will be made up of two 41.025" long pieces and one 39.275" long piece.
- C) If your pool is 15' wide, each strap will be made up of four pieces. Three of the pieces will measure 40.683" long and one will measure 39.275" long.
- D) If your pool is 18' wide, each strap will be made up of four pieces. Three of the pieces will measure 52.6875" long and one piece will measure 39.275" long.
- E) If your pool is 21' wide, each strap will be made up of four pieces. Three of the pieces will measure 48.984" long and will measure 39.275" long.

Strap Section Chart:

	10' x 16'	12' x 17'	12' x 18'	12' x 20'	12' x 24'	15' x 24'	15' x 26'	15' x 30'	18' x 33'	18' x 40'	18' x 44'	21' x 43'
27.25"	4											
39.275"	2	2	2	2	3	2	3	4	4	6	7	7
40.683"						6	9	12				
41.025"		4	4	4	6							
48.984"												28
52.6875"									12	18	21	

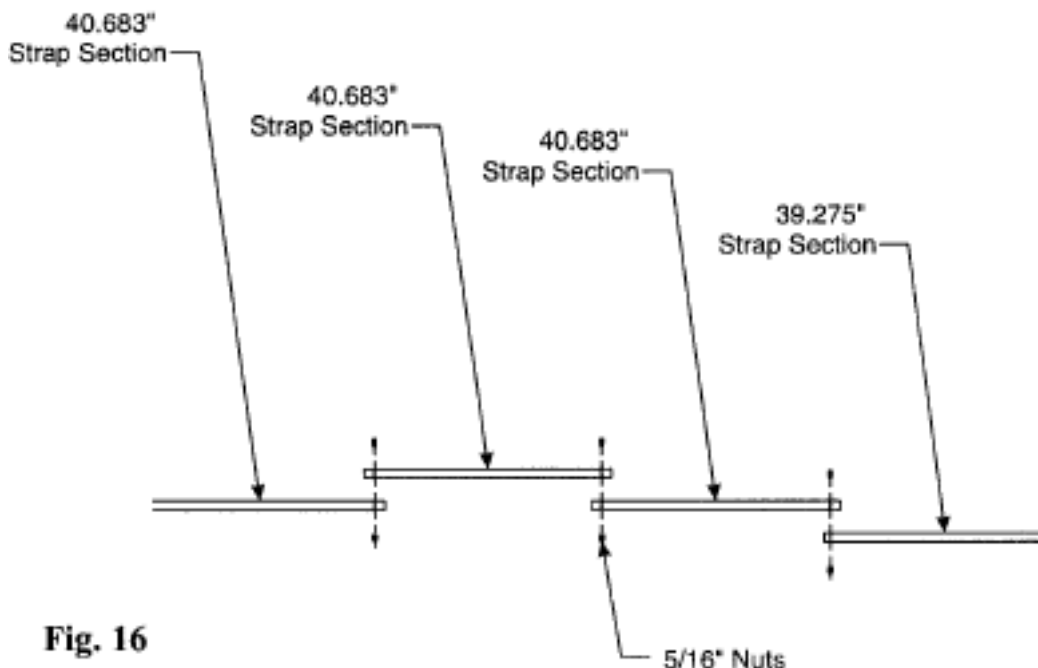


Fig. 16

ALTERNATE STEP 5 – STRAP ASSEMBLY FOR BUTTRESS-FREE OVAL POOLS ONLY:

*****IF YOU HAVE A TRADITIONAL BUTTRESS OVAL, DO NOT USE THIS STEP FIVE. USE THE PREVIOUS STEP FIVE FOR YOUR POOL.**

When you separate the strap pieces, you will find that you have two different lengths. You will have three strap components per complete strap for 10' wide and 12' wide oval pools, and four strap components per complete strap for all pools 15' and 18' wide. If your pool is 21' wide, you will have five strap sections that form a complete strap for your pool.

Strap Section Chart:

	10' x 16'	12' x 17'	12' x 18'	12' x 20'	12' x 24'	15' x 24'	15' x 26'	15' x 30'	18' x 33'	18' x 40'	18' x 44'	21' x 43'
27.25"	4											
40.683"						6	9	12				
41.025"		4	4	4	6							
48.984"												28
52.6875"									12	18	21	

Secure the remaining strap sections to each other using two 5/16" x 1/2" bolts and 5/16" nuts. All holes must be used.

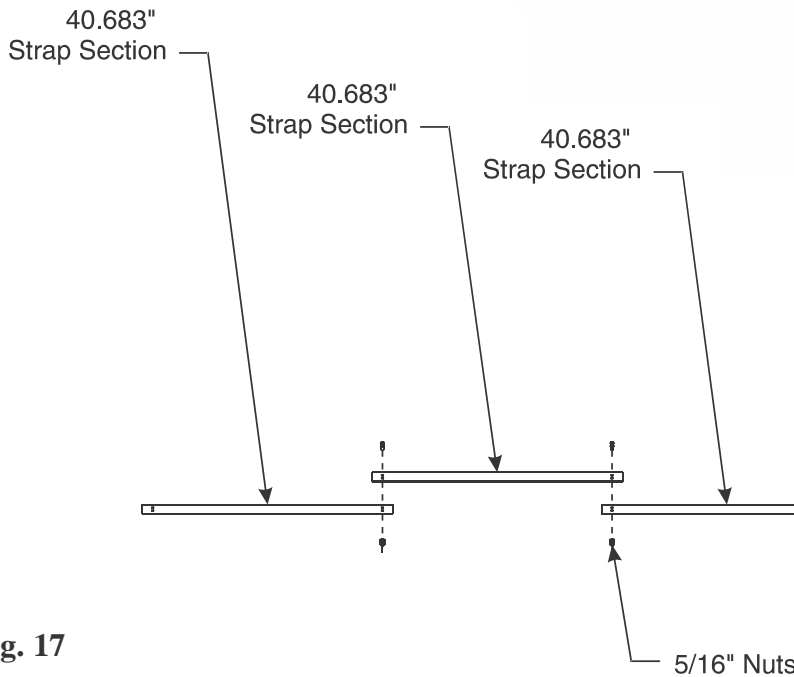


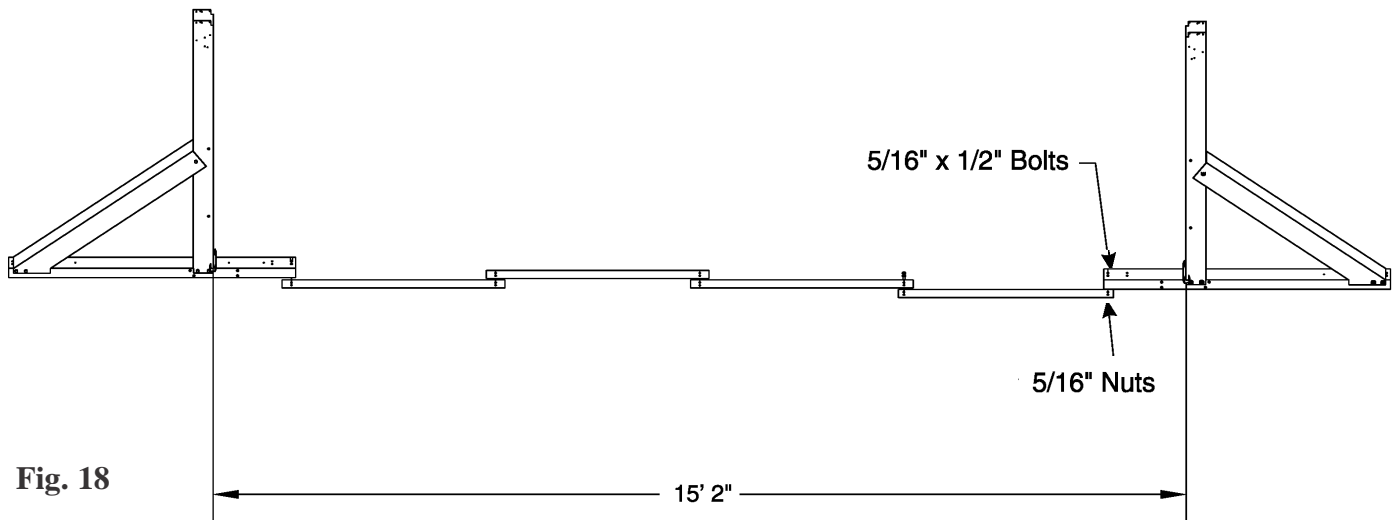
Fig. 17

STEP 6 - ATTACHING STRAPS TO STRAP END CHANNELS ON A TRADITIONAL BUTTRESS OVAL POOL ONLY:

***** USE THIS STEP FOR TRADITIONAL BUTTRESS OVAL INSTALLATION ONLY!
IF YOU HAVE A BUTTRESS-FREE OVAL, PLEASE SEE ALTERNATE STEP 6.**

After you have completed the assembly of all of the strap sections, each end of the assembled straps need to be attached to a strap end channel. Please keep in mind that the strap runs underneath the liner of the pool, so it should be attached to the open end of the channel, not the side where the strut connects.

The straps connect to the channels, along with the end channel caps, shown in Fig.19 and Fig.20 using two 5/16" x 1/2" bolts and two 5/16" nuts at every connection. Be sure to attach the straps to the underside of the strap end channels. The heads of the bolts go on top of the channel, and the nuts should be on the under side. Always use the two holes closest to the end of the strap end channels when connecting the strap sections to the channel.

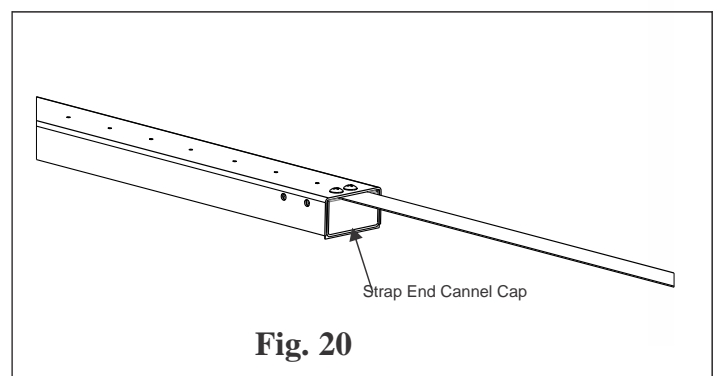
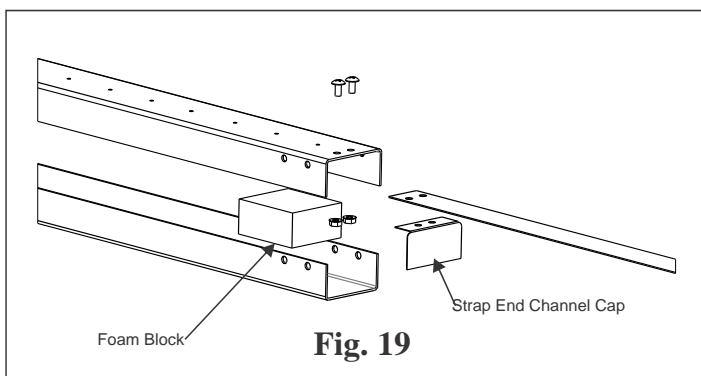


As you are bolting the strap to the strap end channels, add the end channel caps to the under side of the straps at each end as shown in Fig.19 and Fig.20

When these end channel caps are lined up properly, the two holes in these end channel caps will line up with the two holes in the straps, as well as, the corresponding holes in the strap end channels themselves.

These end channel caps are secured in place using the same two 5/16" x 1/2" bolts and 5/16" nuts that are used to secure the straps to the strap end channels.

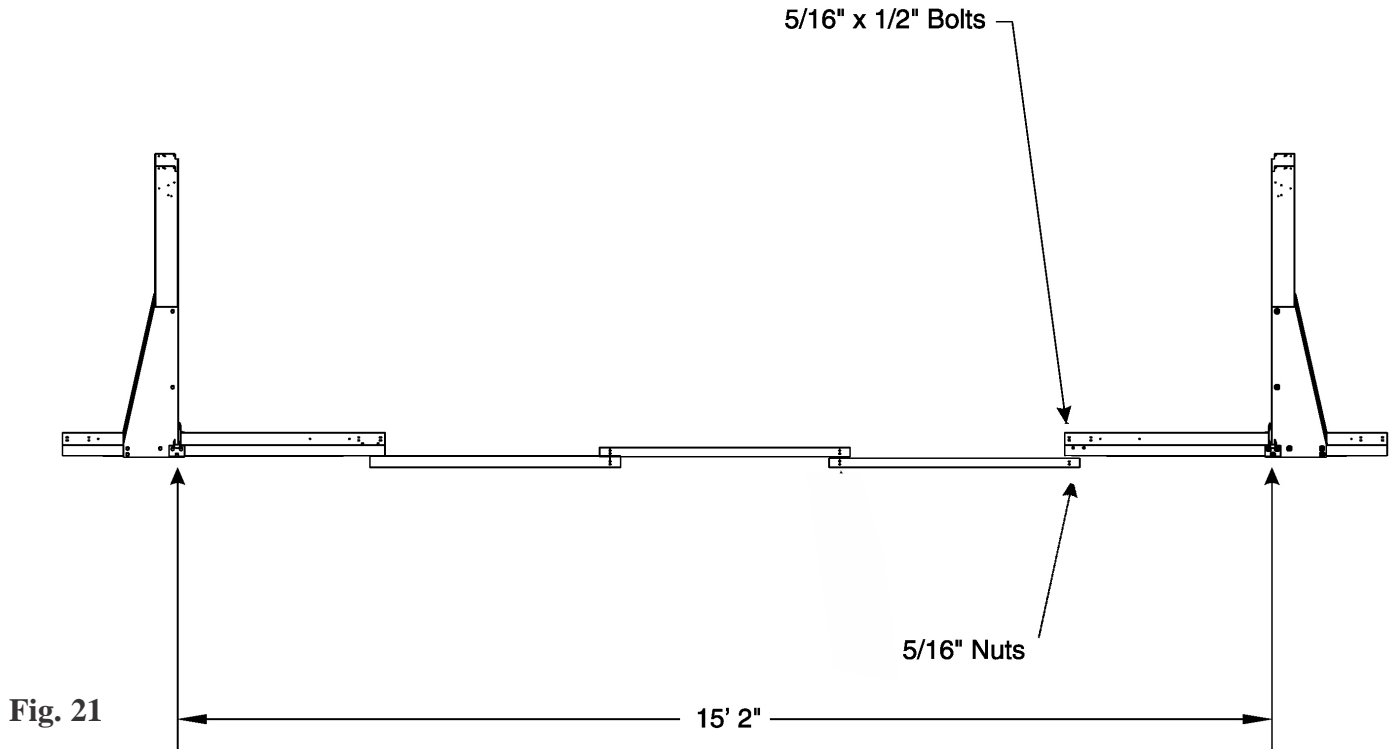
When these parts are installed correctly they will cover the openings at the ends of the channels. This will prevent the sand base of your pool from washing into these channels once the pool is filled with water.



ALTERNATE STEP 6 -ATTACHING STRAPS TO STRAP END CHANNELS FOR A BUTTRESS-FREE OVAL POOL ONLY:

*****IF YOU HAVE A TRADITIONAL BUTTRESS OVAL, USE THE PREVIOUS STEP 6 FOR YOUR OVAL POOL.**

When the straps are completely assembled (as shown in Fig.21) attach each end of the straps, and an end channel cap (shown in Fig.22 and Fig.23) to a strap end channel using two 5/16" x 1/2" bolts and two 5/16" nuts at each point of connection. Note that the strap should be attached to the underside of the channels (as shown in Fig.21) with the heads of the bolts on top of the channel and the nuts on the underside of the channel. Always use the two holes closest to the end of the strap end channel when you are connecting the straps to the strap end channels (as shown in Fig.23).

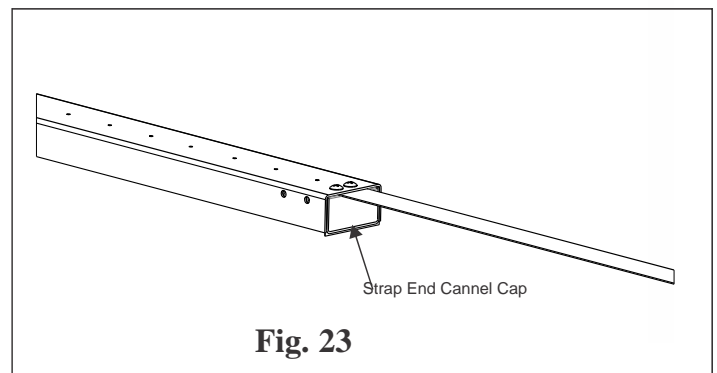
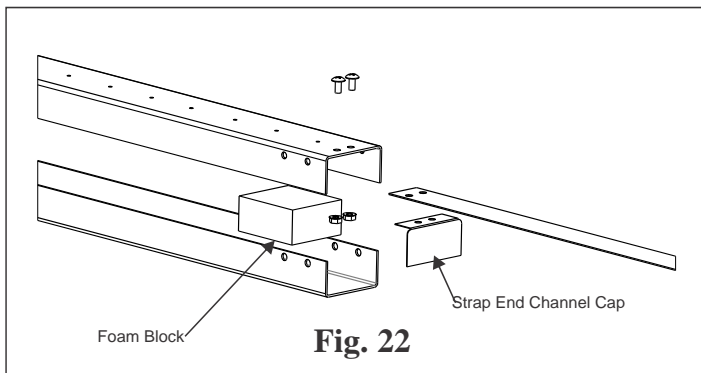


As you are bolting the strap to the strap end channels, add the end channel caps to the underside of the straps at each end as shown in Fig.22 and Fig.23.

When these end channel caps are lined up properly, the two holes in these end channel caps will line up with the two holes in the straps, as well as, the corresponding holes in the strap end channels themselves.

These end channel caps are secured in place using the same two 5/16" x 1/2" bolts and two 5/16" nuts that are used to secure the straps to the strap end channels.

When these parts are installed correctly they will cover the openings at the ends of the channels. This will prevent the sand base of your pool from washing into these channels once the pool is filled with water.



STEP 7 - STRAIGHT SIDE LAYOUT:

After all of the straps have been fully assembled and attached to the strap end channels you can now start to set them up in their final positions. If your pool has an odd number of straps (for example a 12' X 24' pool has three straps) find the center point of the site you leveled earlier and put the first strap and straight side upright assembly there. You then place one assembly 42", from center of strap end channel to center of strap end channel, on each side of that first assembly. Continue like this until all assemblies are used.

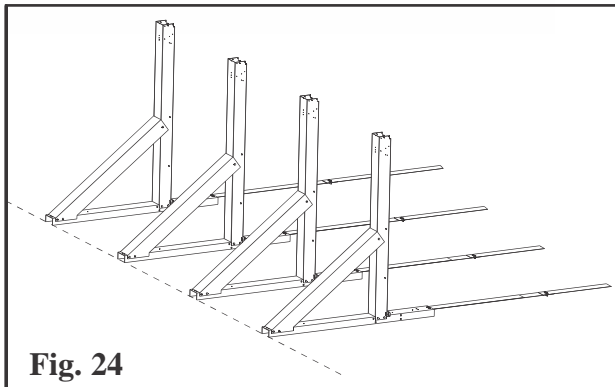
If your pool has an even number of straps and straight side assemblies (for example a 15' x 30' pool has four, which is pictured below) find your center point, mark it on the ground, and put an assembly on each side of that mark 21" away to the center of the strap end channels. If your pool has more than two assemblies you will put the next assemblies 42" on center from the previous assembly, as shown in Fig. 26 and Fig. 27, always keeping the same number of assemblies on each side of your center point.

Once you have all assemblies in place you want to be sure that all of the straight side uprights on one side line up with each other. This can be done fairly accurately by eye but we recommend that you use a string extending from the first upright to the last. If there are any uprights not touching the string, or that cause the string to bulge out, adjust that assembly so that the string is perfectly straight.

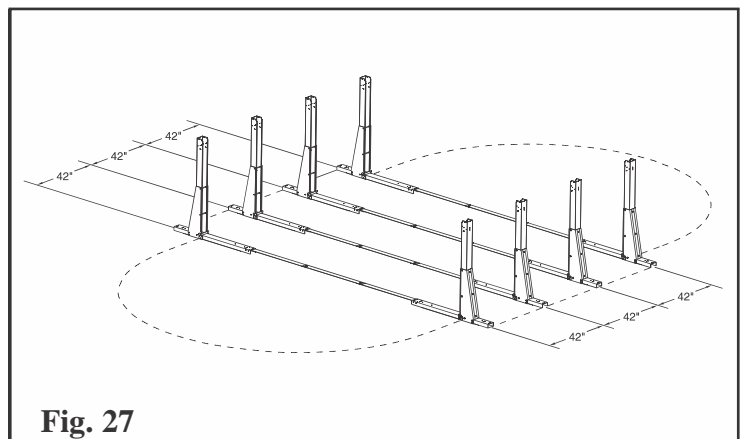
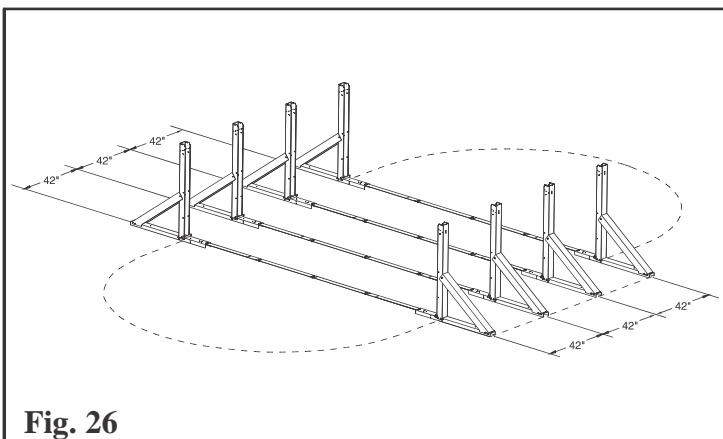
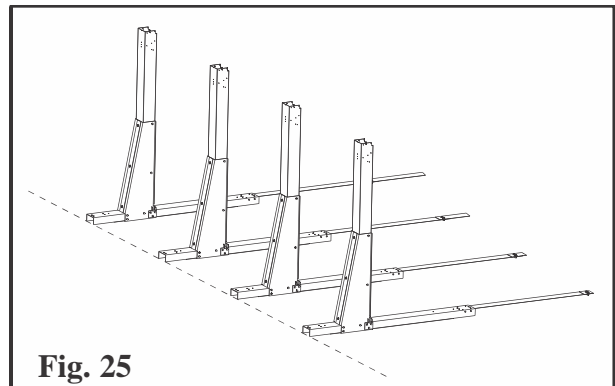
If you are trying to install your pool parallel to an already existing object such as a fence, simply measure from the fence to each straight side upright making sure that the measurement is exactly the same for each.

Once you are confident that one side is straight the other side should already be straight. If it does not appear to be straight, check to make sure that the straps are setting flat on the ground.

Traditional Buttress



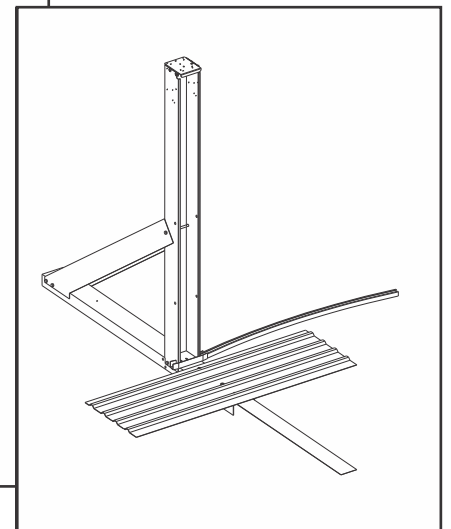
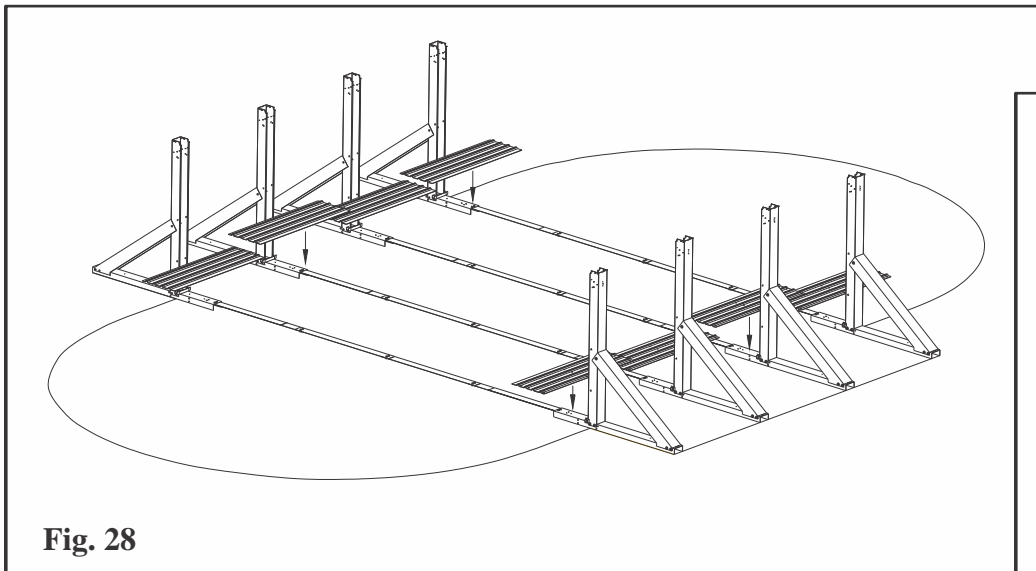
Buttress-Free



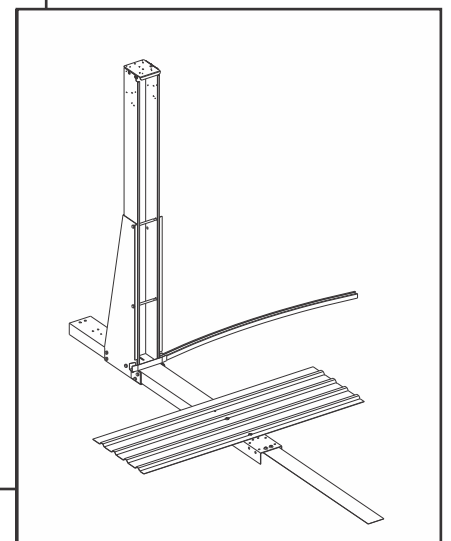
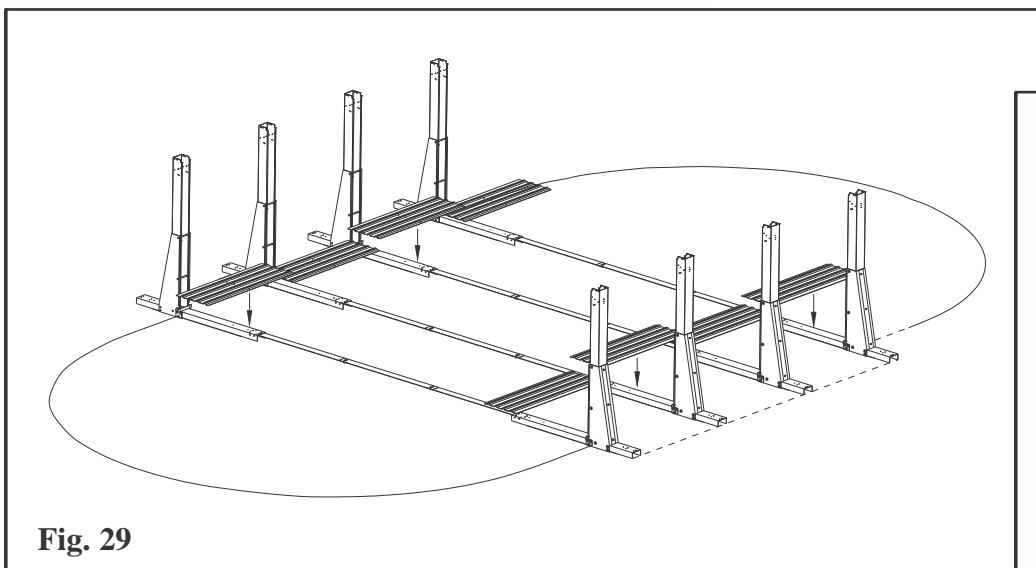
STEP 8 – PRESSURE PLATE INSTALLATION:

Place one 44" pressure plate on each strap end channel so that the center of the plate is even with the center of the channel. When installing these plates the corrugation bumps should be up and the flat surface should be down. One edge has a larger flat surface than the other. The larger flat surface should be closer to the center of the pool. (See diagram). **The pressure plate must extend past the end of the channel about 1" towards the center of your pool.** If you have done this correctly the two holes in the center of the pressure plate line up with the two holes in the center of the strap end channel. Secure the plates to the channels using two #12 X 3/4" screws in each. Once all plates are secured to the channels, the plates should overlap each other. Secure the plates to each other using three #12 screws in each overlapping area.

Traditional Buttress

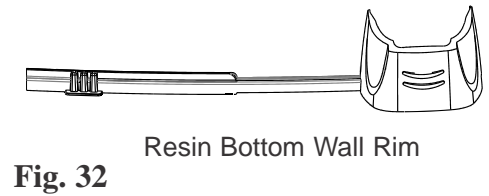
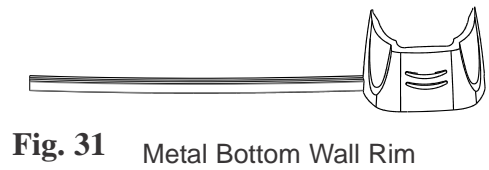
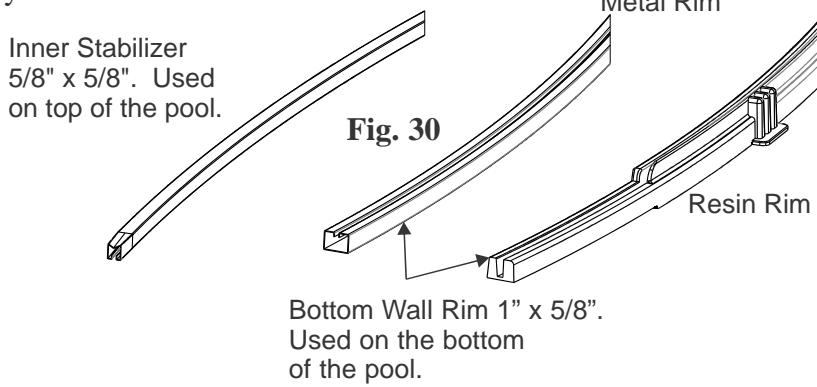


Buttress-Free



STEP 9 - BOTTOM WALL RIM ASSEMBLY:

When you unpacked the bottom wall rim you should have noticed the three different size rails (except if you have a 12' x 17' pool, in which case you only have two different sizes.) Some of the rails are 37 1/2" long and some are 39" long. Reference the size chart in Step 10 for your exact pool. It is very important to separate the wall rims by size now.



*** IMPORTANT: Make sure you are using the bottom rails and not the inner stabilizer bars. The bottom rails on some pool models are made of resin and not metal (see Fig. 31 and Fig. 32). The stabilizer bars are always metal and they have male and female end. The bottom rails are the larger width rails that have the straight cuts on both ends. The bottom rails do not interlock (see Fig. 30).**

- The 37 1/2" long bottom wall rims go in between the straight side uprights. You simply press them down inside the straight side bottom connector on each side. These wall rims will eventually need to be sitting flat on the ground, but you can do that as you are leveling the pool.
- In most size pools, the four 39" bottom wall rims are for the "corners." One side snaps into the straight side connector on the final straight side upright, while the other side slides into a bottom plate or bottom cuff as shown in Fig.33 or Fig.34.
- You should have an even number of the longest bottom wall rims, as well as, an even number of bottom plates or bottom cuffs (depending on the model pool you have.) These will form the curved ends of your pool. Half of these wall rims and plates/cuffs will go on one end and the other half on the other end. Slide each wall rim into the plate, or cuff, up to the stop as shown. Be sure that the plate, or cuff, is outside of the half circle created on each side of the pool. Once all wall rims are assembled, you should now be able to see the entire shape of the oval pool on the ground.

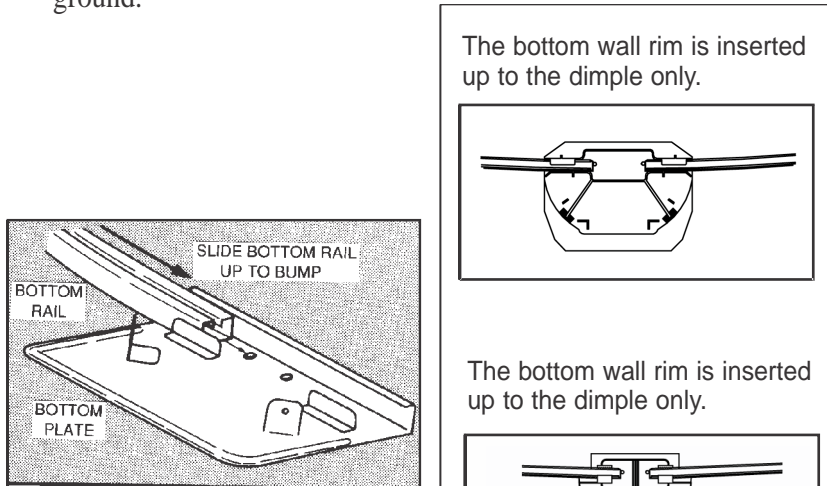
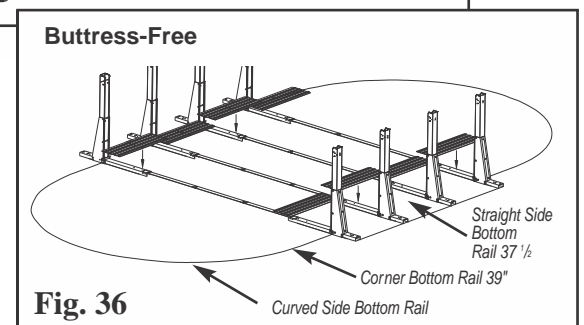
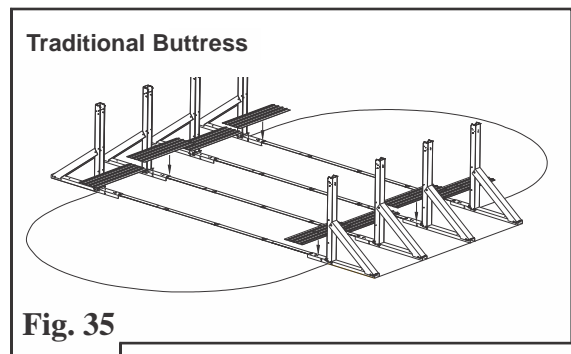
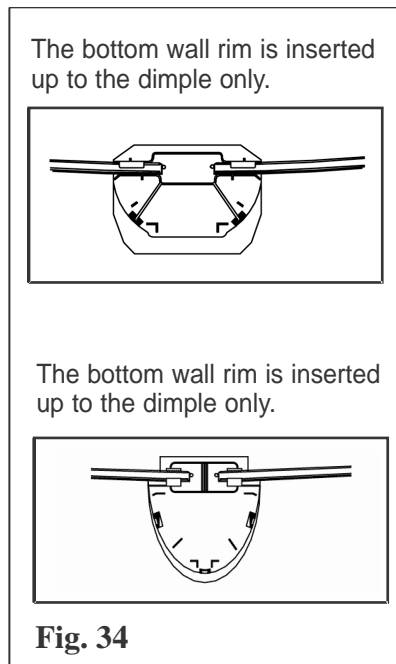


Fig. 33



IMPORTANT: Some pools have resin bottom plates or resin bottom cuffs rather than the traditional metal bottom plate. Please refer to your pool parts breakdown sheet to confirm which component applies to your particular pool.

STEP 10 - IDENTIFYING WALL RIMS:

When you un-pack the pool separate out the different wall rims that go in different parts of the pool. This is very important. Incorrect placement of the rims will result in a pool that needs to be re-installed. The rims that go on the bottom of the pool are called Bottom Rails. The Bottom Rails are 1" wide. The rims that go on the top of the pool wall are called Inner Stabilizers. The Inner Stabilizers are 5/8" wide. See the chart in Step 10 to see where each part is installed on the swimming pool.

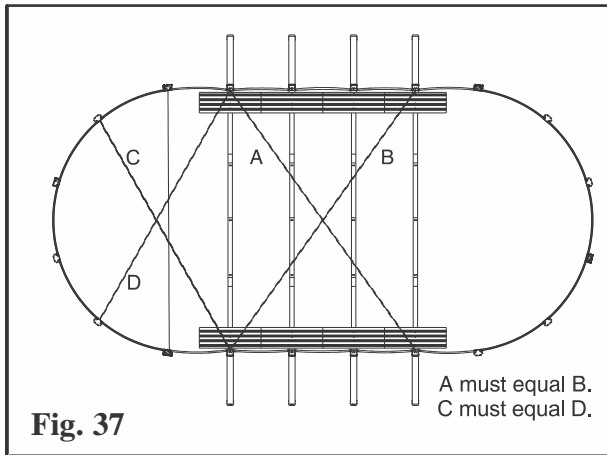
BOTTOM RAIL AND STABILIZER LAY OUT

Oval		8x12	8X15	10x16	10x19	12x17	12x20	12x24	15X24	15 x 26	15x30	18x33	18x40	21x43
BOTTOM WALL RAIL CURVED END OF OVAL	QUANTITY	10	10	6	6	12	10	10	10	10	10	12	12	10
	LENGTH	25-1/4"	25-1/4"	38"	38"	38"	38"	38"	49"	49"	49"	50"	50"	54-1/4"
	RADIUS	4' 0"	4' 0"	5' 6"	5' 6"	5' 6"	5' 6"	5' 6"	7' 6"	7' 6"	7' 6"	9' 0"	9' 0"	10' 6"
TOP WALL STABILIZER CURVED END OF OVAL	QUANTITY	10	10	6	6	12	10	10	10	10	10	12	12	4
	LENGTH	29-1/2"	29-1/2"	42-5/8"	42-5/8"	42-5/8"	42-5/8"	42-5/8"	53-1/4"	53-1/4"	53-1/4"	54-1/8"	54-1/8"	54-7/16"
	RADIUS	4' 0"	4' 0"	5' 6"	5' 6"	5' 6"	5' 6"	5' 6"	7' 6"	7' 6"	7' 6"	9' 0"	9' 0"	10' 6"
BOTTOM WALL RAIL TRANSITION (4 CORNERS)	QUANTITY	4	4	4	4	N/A	4	4	4	4	4	4	4	4
	LENGTH	27-1/4"	27-1/4"	42-5/8"	42-5/8"	N/A	39"	39"	45"	39"	39"	39"	39"	53-1/2"
	RADIUS	9' 0"	9' 0"	9' 0"	9' 0"	N/A	9' 0"	9' 0"	9' 0"	9' 0"	9' 0"	9' 0"	9' 0"	10' 6"
TOP WALL STABILIZER TRANSITION (4 CORNERS)	QUANTITY	4	4	4	4	N/A	4	4	4	4	4	4	4	N/A
	LENGTH	29-1/2"	29-1/2"	41-3/8"	41-3/8"	N/A	37"	37"	43"	37"	37"	37"	37"	N/A
	RADIUS	9' 0"	9' 0"	9' 0"	9' 0"	N/A	9' 0"	9' 0"	9' 0"	9' 0"	9' 0"	9' 0"	9' 0"	N/A
BOTTOM WALL RAIL STRAIGHT SIDE OF OVAL (BETWEEN STRAIGHT SIDE UPRIGHTS)	QUANTITY	N/A	2	2	4	2	2	4	2	4	6	6	10	12
	LENGTH	N/A	37-1/2"	37-1/2"	37-1/2"	37-1/2"	37-1/2"	37-1/2"	37-1/2"	37-1/2"	37-1/2"	37-1/2"	37-1/2"	37-1/2"
	RADIUS	N/A	9' 0"	9' 0"	9' 0"	9' 0"	9' 0"	9' 0"	9' 0"	9' 0"	9' 0"	9' 0"	9' 0"	9' 0"
TOP WALL STABILIZER STRAIGHT SIDE OF OVAL (BETWEEN STRAIGHT SIDE UPRIGHTS NO SWEDGE)	QUANTITY	N/A	2	2	4	2	2	4	2	4	6	6	10	12
	LENGTH	N/A	33"	33"	33"	33"	33"	33"	33"	33"	33"	33"	33"	33"
	RADIUS	N/A	9' 0"	9' 0"	9' 0"	9' 0"	9' 0"	9' 0"	9' 0"	9' 0"	9' 0"	9' 0"	9' 0"	9' 0"
TOP WALL STABILIZER STRAIGHT SIDE OF OVAL (AT EACH STRAIGHT SIDE UPRIGHT NO SWEDGE)	QUANTITY	2	4	4	6	4	4	6	4	6	8	8	12	14
	LENGTH	4"	4"	4"	4"	4"	4"	4"	4"	4"	4"	4"	4"	4"
	RADIUS	9' 0"	9' 0"	9' 0"	9' 0"	9' 0"	9' 0"	9' 0"	9' 0"	9' 0"	9' 0"	9' 0"	9' 0"	9' 0"

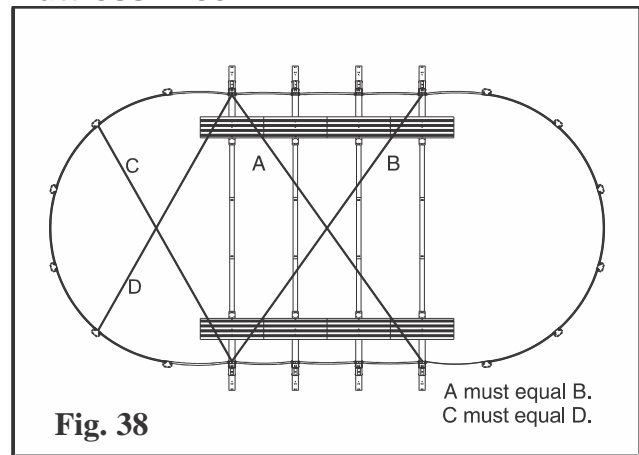
STEP 11 – SQUARING THE STRAIGHT SIDES:

Now that the bottom structure of the pool is fully assembled, make sure that the straight sides of the pool are perfectly in line with each other. We refer to this as "squaring" the pool. This is done by measuring from the outside of the first straight side upright on one side, to the outside of the last straight side upright on the opposite side (the two straight side uprights farthest from each other.) When making these measurements they should always be taken from the lower 12" of the straight side uprights because the higher up on the straight side upright you go, the less accurate the measurements will be. Once you have that measurement, you should measure the distance between the two opposite straight side uprights the same way (as shown in Fig.37 and Fig.38.) The two measurements should be exactly the same. If they are not, adjust one entire straight side as necessary. This is a very important step, do not continue until the measurements are identical.

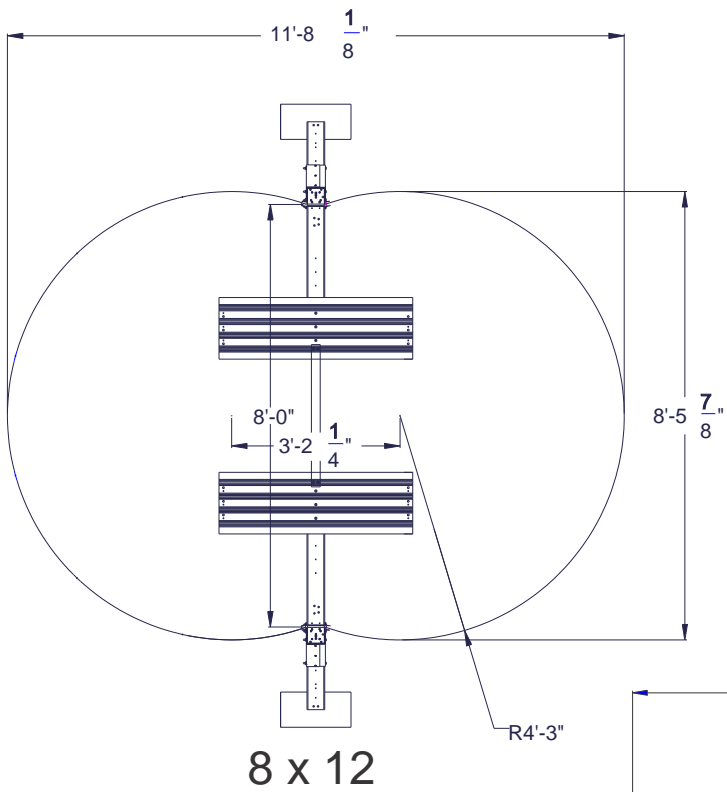
Traditional Buttress



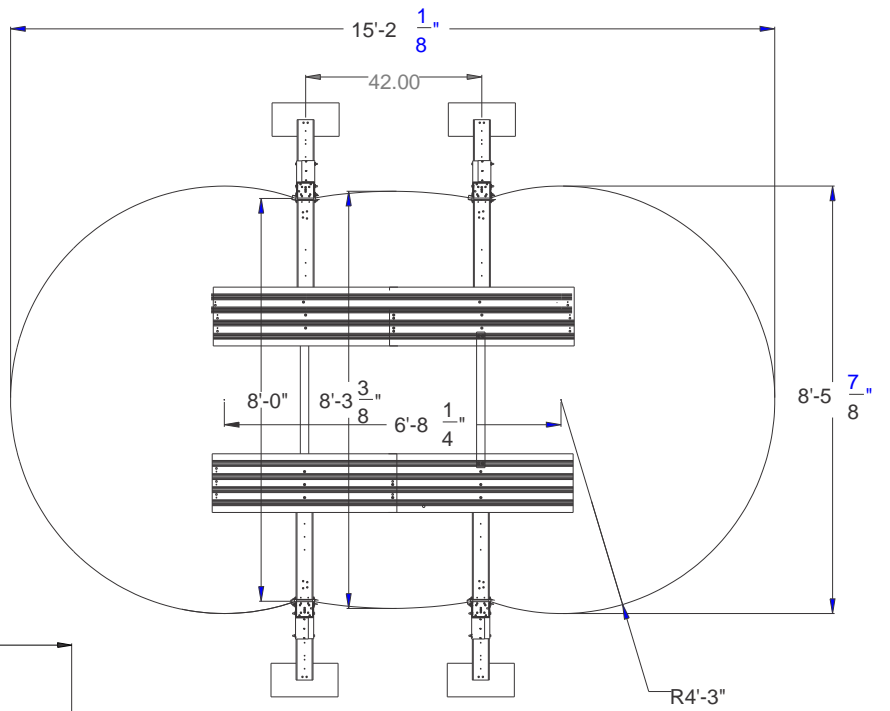
Buttress-Free



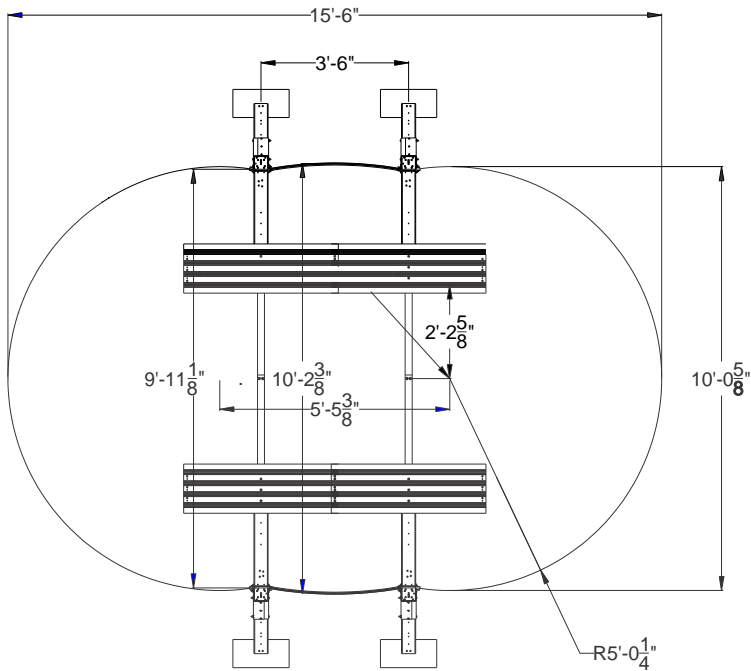
The following are detailed diagrams for every size oval pool that we make. Most of these measurements apply to both the Traditional Buttress oval assemblies and the Buttress-Free oval assemblies. Please use the diagram that applies to your pool to make sure you have everything in its proper position before proceeding with these instructions. Taking a few minutes to check these measurements now can save you major time and efforts down the road if something is not correct.



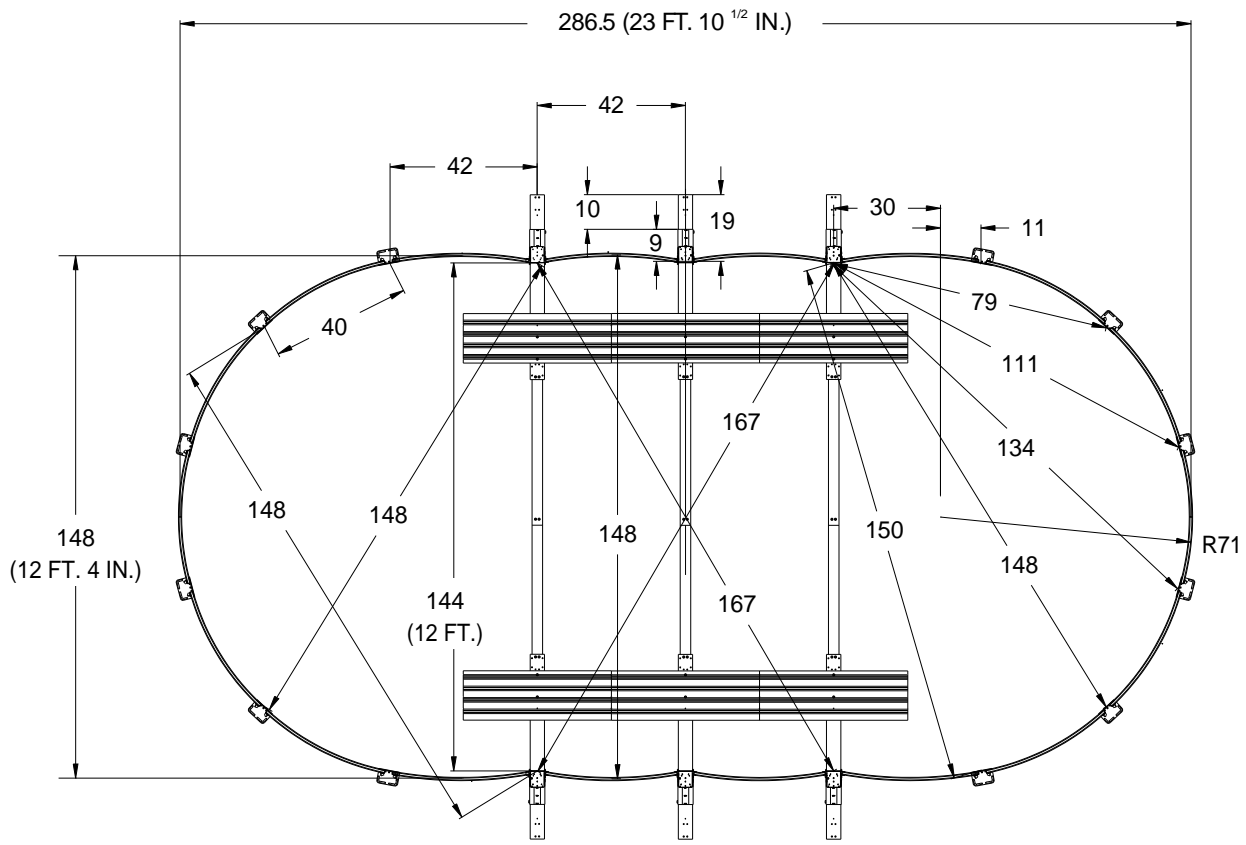
8 x 12



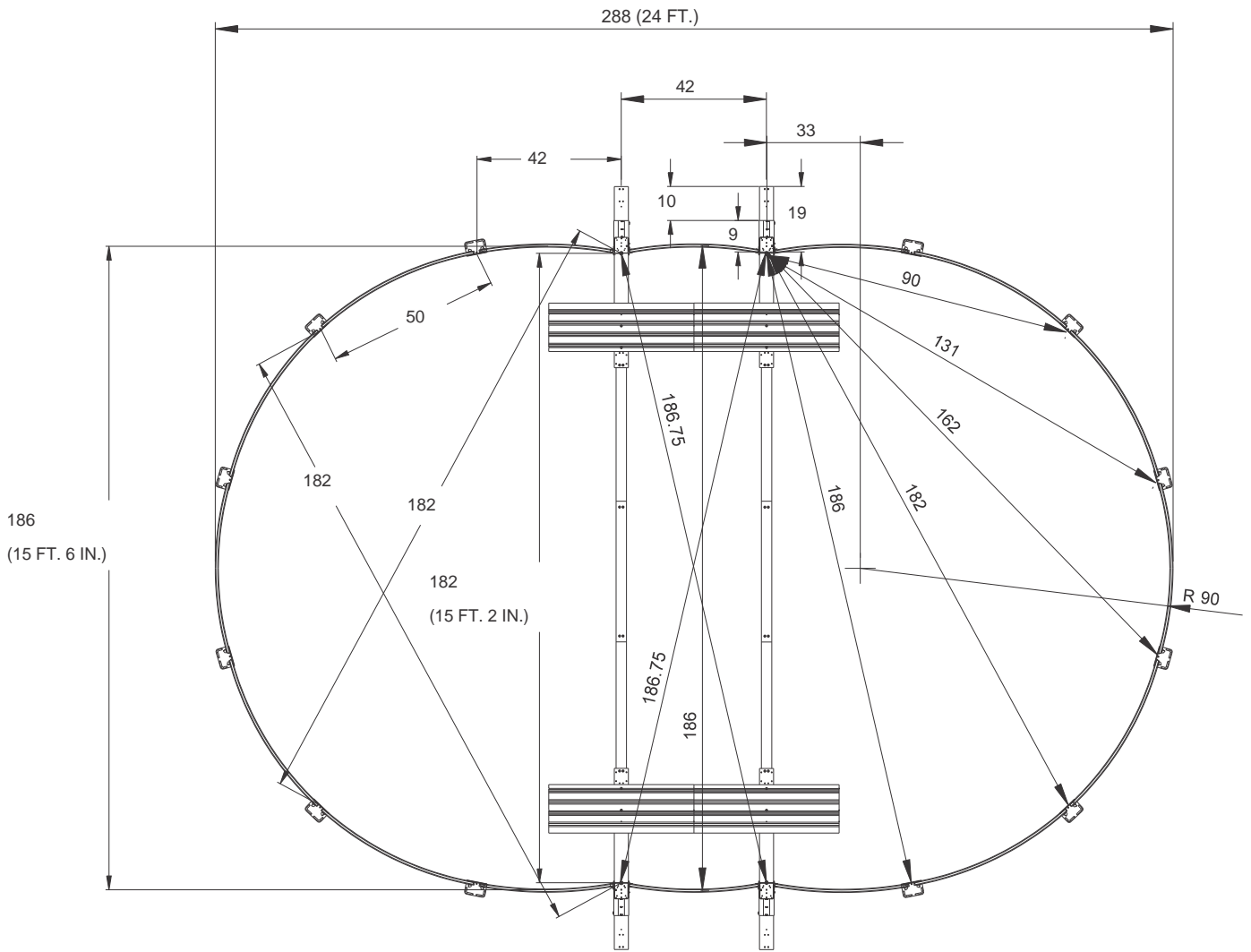
8 x 15



10 x 16

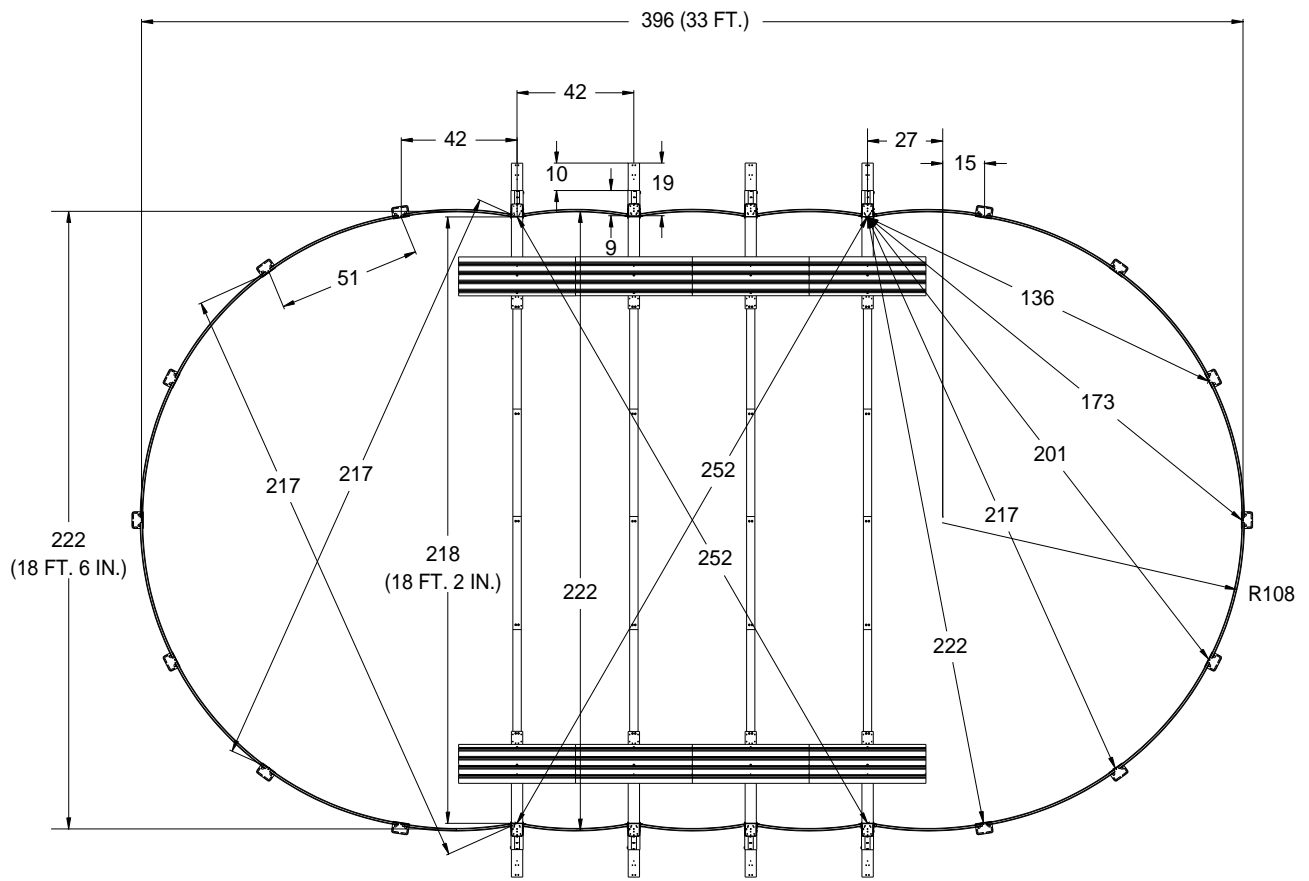


12 x 24

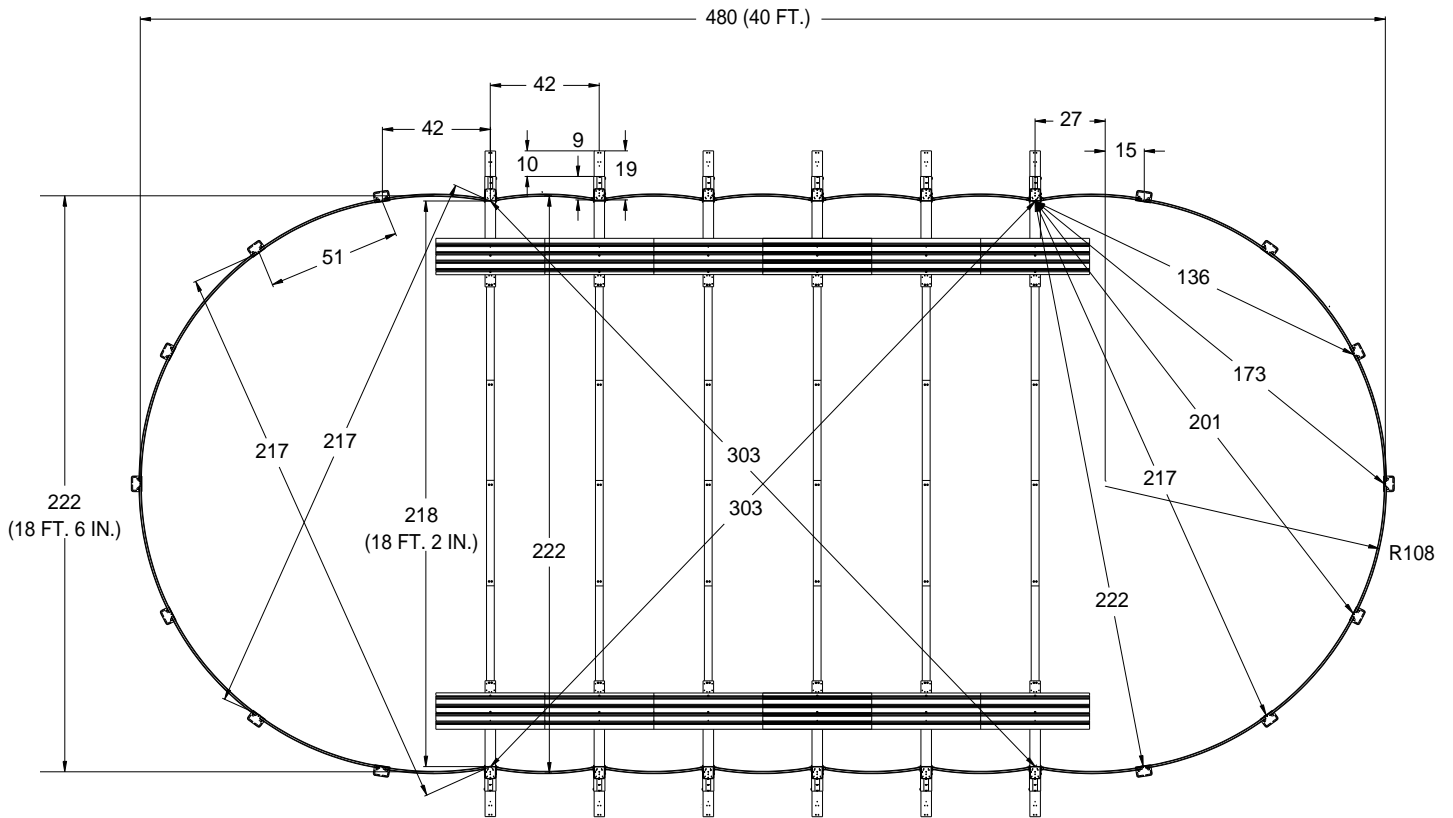


15 x 24

*All measurements are in inches unless otherwise identified.

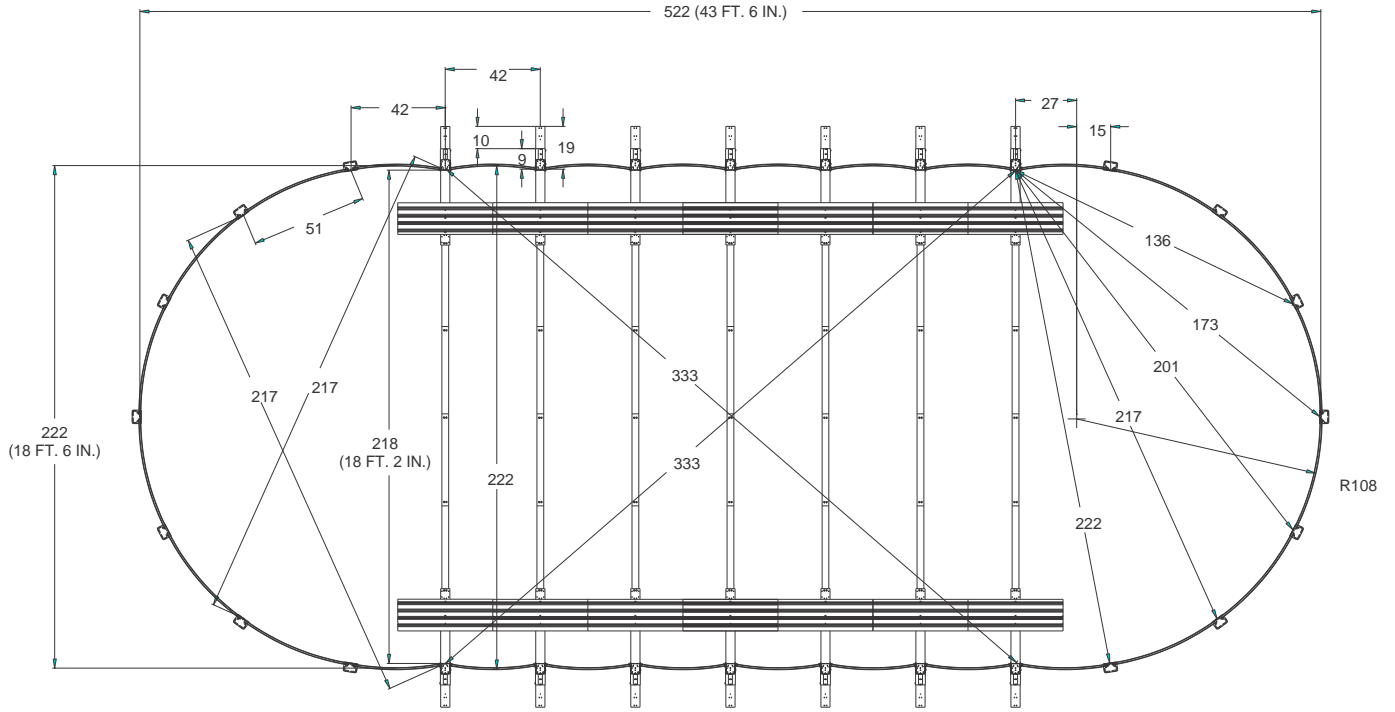


18 x 33

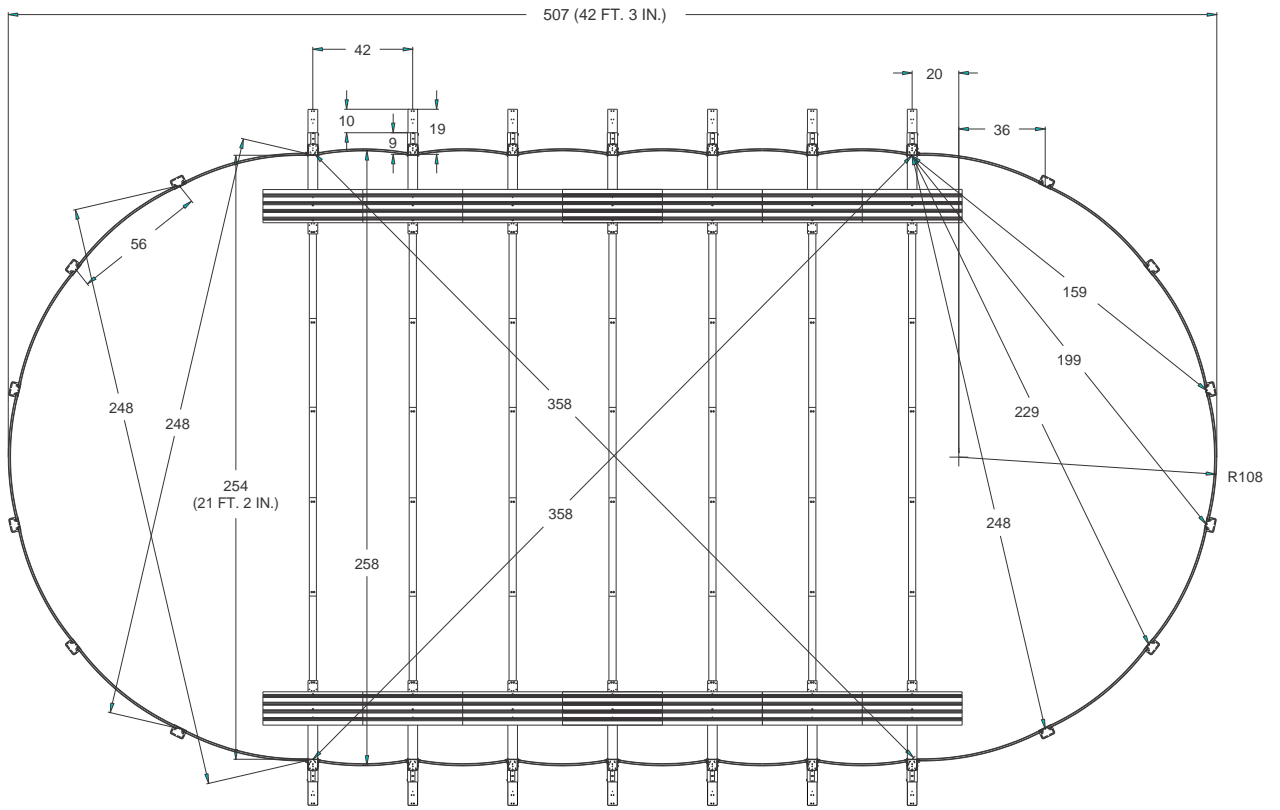


18 x 40

*All measurements are in inches unless otherwise identified.



18 x 44



21 x 43

*All measurements are in inches unless otherwise identified.

STEP 12 – LEVELING THE STRAIGHT SIDES:

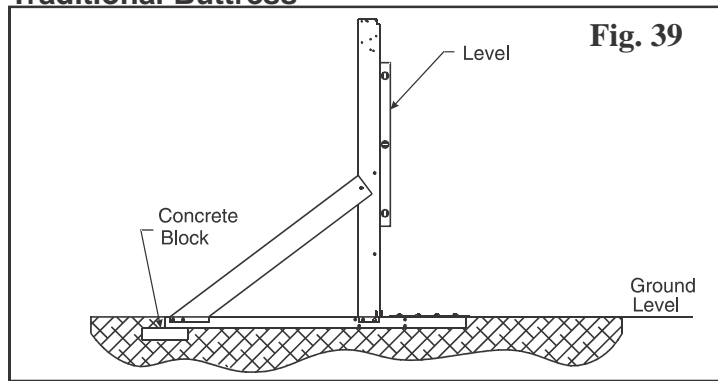
The leveling of the straight sides is a very crucial part of a good installation. If this is not done accurately it will cause a lot of problems for you.

The strap end channels are two inches deep. The top of the strap end channel needs to be level with the ground. The bottom plates or bottom cuffs on the curved sides also need to be level with the ground.

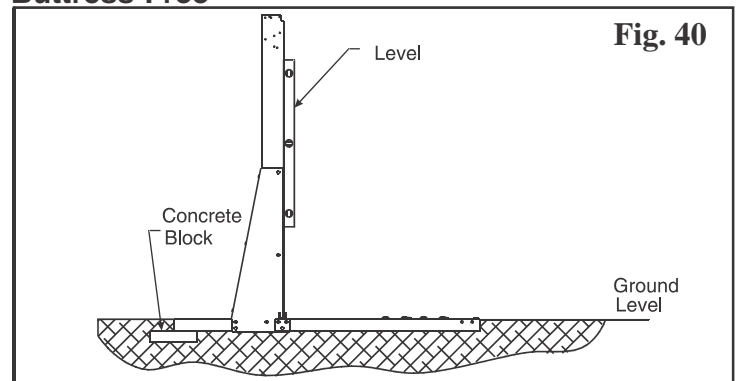
One at a time we recommend digging the strap end channels into the ground. Once all of the channels on a side are level, put a 2" x 8" x 16" patio block under the back of each strap end channel as shown in Fig.39 and Fig.40. This must be done for each strap end channel. Remember the block is two inches deep and so is the end channel. You will need to dig down a total of 4" where the block is in order to get the top of the strap end channel to ground level.

Once you have completed one entire side, do the same for every strap end channel on the opposite side. After that is complete it is a good idea to check that your straight side uprights are all level from top to bottom by using a carpenter's level. The pressure plates and straight side bottom rails ensure that your bottoms are still 42" on center. Be sure that the tops of the straight side uprights are as well.

Traditional Buttress



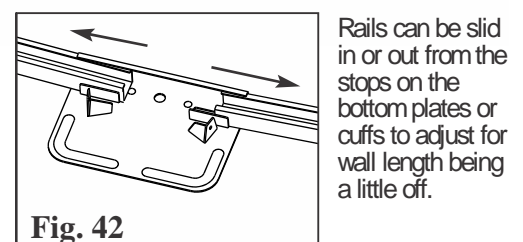
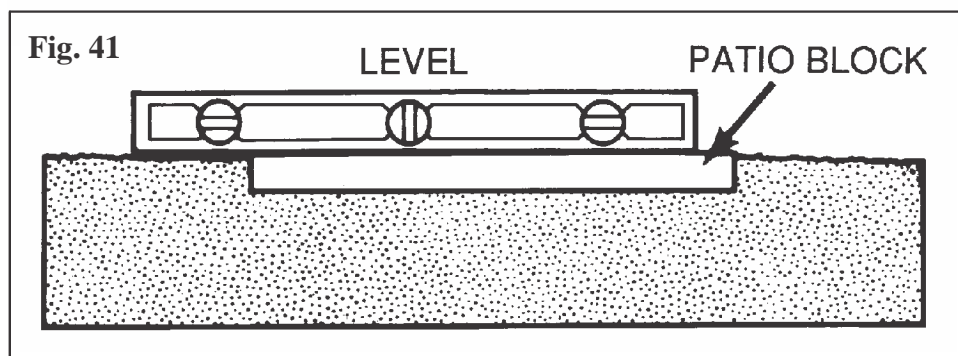
Buttress-Free



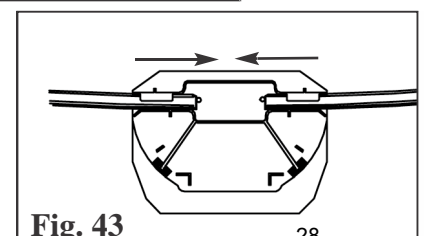
STEP 12A – LEVELING THE CURVED SIDES:

The next step is to level the curved sides of the pool. Before doing this you may want to measure the overall length and width of the pool to ensure that it is the same size as shown on step 10 of this booklet. If it is off by a couple of inches your wall will not fit properly. You can fix this situation by simply sliding the curved side bottom rails in or out of the bottom plates or bottom cuffs as shown in Fig.42 and Fig.43. This should be done an even amount for each plate or cuff.

Once you are certain that the pool is the correct size, level the curved sides of the pool. Do this by placing a 2" x 8" x 16" patio block under each of the bottom plates or bottom cuffs. The blocks will need to be sunk into the ground so that the bottom plates or bottom cuffs are at the same level as the tops of the strap end channels. It is also important to make sure that the rails between the plates or cuffs are resting flat on the ground.



Rails can be slid in or out from the stops on the bottom plates or cuffs to adjust for wall length being a little off.



NOTE: Check for levelness in all directions. When placing patio blocks under curved side bottom plates or bottom cuffs, leave 1" of the block inside the pool and 6" showing outside of the pool.

STEP 13 – WALL INSTALLATION

***** DO NOT ATTEMPT THIS STEP IN WINDY CONDITIONS. THE WALL IS VERY HEAVY AND EXTREMELY DIFFICULT TO MANAGE ON A WINDY DAY. IF THE WIND DOES CATCH THE WALL DURING INSTALLATION, IT CAN CREATE DANGEROUS SITUATIONS AND/OR CAUSE DAMAGE TO THE POOL.**

Before beginning the wall installation, you may remove a curved side bottom rail to cart in sand or sifted soil for the pool cove and base as long as your curved sides are staked in position (make sure you return the bottom rail to its proper position once you are done with this).

In this step, you should flatten the carton the wall came packed in, and use that as a base to unravel the pool wall as you install it. We recommend the skimmer and return hole to be placed at one of the four corners of the curved sections of the pool (as shown in Fig.44). The skimmer location is determined by where you start the wall. You can hide the wall joint assembly on most size pools by beginning the wall in the middle of one of the curved side bottom plates or bottom cuffs. Unfortunately, you will not be able to hide the wall joints behind an upright on some of the smaller size oval pools. Doing so will cause your skimmer and/or return punch out to fall behind an upright, which you can not have.

In any case, the wall joints **MUST** be one of the curved ends of the pool and not one of the straight sides. Unravel the wall a little at a time, inserting it into the bottom rails as you go. Do not unravel the entire wall at once, as doing so will make the installation much more difficult. As you unravel the wall, you may temporarily install the stabilizer rails, or use landscaping stakes with clamps to keep the wall in place (as we show in Fig.45 and Fig.46). We recommend that in addition to the stabilizer rails or stakes that you temporarily use small pieces of duct tape from the top of the wall to the top of each of the straight side uprights as added support during installation.

If the sidewall appears too long or too short, make the curved sides larger or smaller by equally sliding the bottom rails in or out of the bottom plates or cuffs (see Fig.42 and Fig.43 in step #13. If the ground is uneven, the wall may jump out of the groove in the bottom rails. Correct this condition if it happens by rechecking the level of the entire pool.

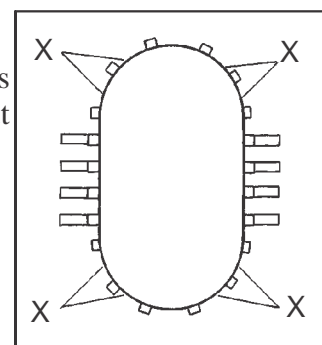
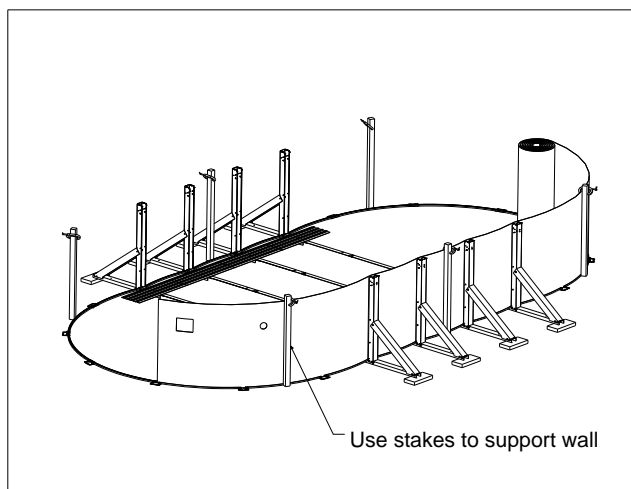


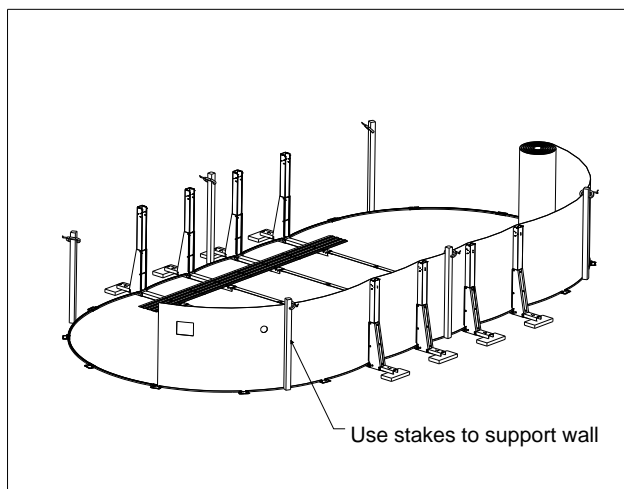
Fig. 44

X = Suggested skimmer and return location.

Traditional Buttress



Buttress-Free



STEP 13 – WALL INSTALLATION (Cont.)

It is extremely important at this stage that the pool wall and the pool tracks form the proper pool size on the ground. Once the wall is installed go around the pool and re-check the shape of the pool on the ground. Pull / push any bottom tracks back into the proper pool shape. Make sure that the bottom tracks are not “trapped” and can easily move on the ground away from the water. The bottom of the pool needs to be able to move out as the pool is filled with water and the pool wall takes the water pressure. Any problems at this step show up at the end of the pool installation when you put water into the pool. Evidence of incorrect pool shape or bottom rails being unable to move will show up on a filled pool as:

- The pool wall buckles in only some areas, usually close to the ground
- The pool upright spreads out, usually close to the ground
- The wall bulges out of the bottom track and sometimes comes completely out of the bottom track.
- The bottom track leans out, away from the water
- The pool wall and uprights are not vertical, but leaning into or away from the water

To fix any of these problems requires that the whole pool be taken down and re-installed.

***** We manufacture two different kinds of wall joint assemblies. One has a single row of bolts with wall bars, and the other is a staggered double row pattern with wall bars. Please check which design your pool has and follow the appropriate instructions below.**

Type #1 Single Row

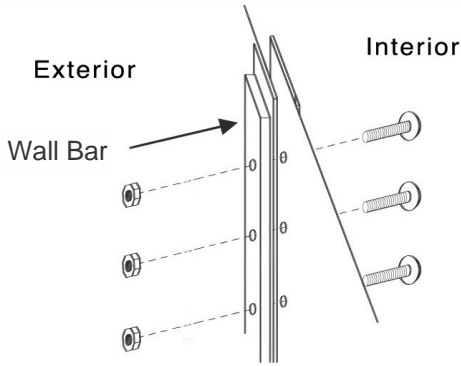


Fig. 47

IMPORTANT-This operation must be done carefully! When joining the sidewall, make sure that the strips do not touch each other. One bar must be inside the pool (the bolts will touch this bar) and one bar must be outside the pool (the nuts will touch this bar). Insert the bolts with the bolt head to the inside and the nuts to the outside of the pool. Do not tighten until all bolts have been inserted. If your screwdriver slips and scratches the head of the bolt, file the scratch smooth so that it cannot puncture the liner. It is recommended that you cover the heads of the bolts, on the inside of the wall, with three layers of duct tape. If the insertion of the wall in the bottom rail is tight at the point where the wall is joined together, insert a screwdriver and twist to make enough room, again being sure not to ratch the wall or the bottom rail.

REMEMBER:
ALL NUTS SHOULD BE AS TIGHT AS POSSIBLE USING HAND TOOLS. BARS MUST NOT TOUCH EACH OTHER. EVERY HOLE FROM TOP TO BOTTOM OF THE WALL/WALL BAR SYSTEM MUST HAVE A SECURELY TIGHTENED NUT AND BOLT. IF THIS IS DONE INCORRECTLY YOUR POOL WILL BREAK!

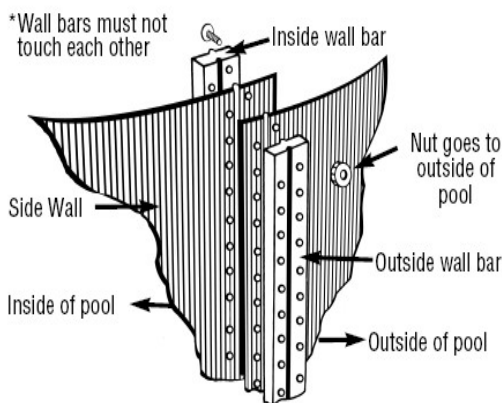
Type #2 Staggered Bolt Pattern

IMPORTANT - This operation must be done carefully! When joining the sidewall, make sure that the strips do not touch each other. One bar must be inside the pool (the nuts will touch this bar). Insert the bolts with the bolt head to the inside and the nuts to the outside of the pool. Do not tighten until all bolts have been inserted. If your screwdriver slips and scratches the head of the bolt, file the scratch smooth so that it cannot puncture the liner. It is recommended that you cover the heads of the bolts, on the inside of the wall, with three layers of duct tape. If the insertion of the wall in the bottom rail is tight at the point where the wall is joined together, insert a screwdriver and twist to make enough room, again being sure not to ratch the wall or the bottom rail.

- **If you are missing any hardware, do not leave empty holes in the wall joint assembly. Doing so will cause your pool to break!**
- See your pool dealer for additional hardware in the case of shortage.

STAGGERED BOLT WALL BAR SYSTEM

* Every hole from top to bottom of wall/Wall bar system must have a securely tightened nut and bolt. *



Top View

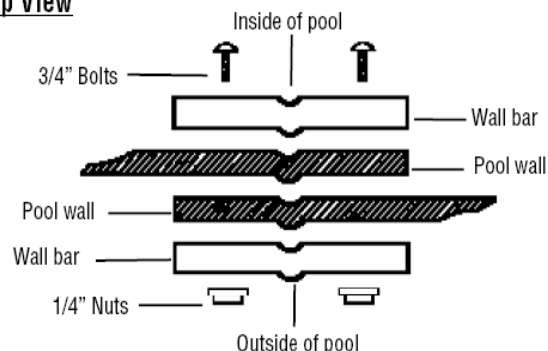


Fig. 49

REMEMBER:
ALL NUTS SHOULD BE AS TIGHT AS POSSIBLE USING HAND TOOLS. BARS MUST NOT TOUCH EACH OTHER. EVERY HOLE FROM TOP TO BOTTOM OF THE WALL/WALL BAR SYSTEM MUST HAVE A SECURELY TIGHTENED NUT AND BOLT. IF THIS IS DONE INCORRECTLY YOUR POOL WILL BREAK!

STEP 14: WALL JOINT ASSEMBLY (Cont.)

Many pool walls come with a Wall Saver Panel. The Wall Saver Panel is a separate piece of the pool wall that has the skimmer and return openings in it. The Wall Saver Panel is joined to the pool wall at each end. Your pool will have 2 wall joints. On many size pools and many Wall Saver Panels this means that one (1) of the joints will be exposed and clearly visible on the outside of the pool instead of being behind a pool upright. This is normal. See Fig.49B for how the wall saver panel is installed in the pool wall.

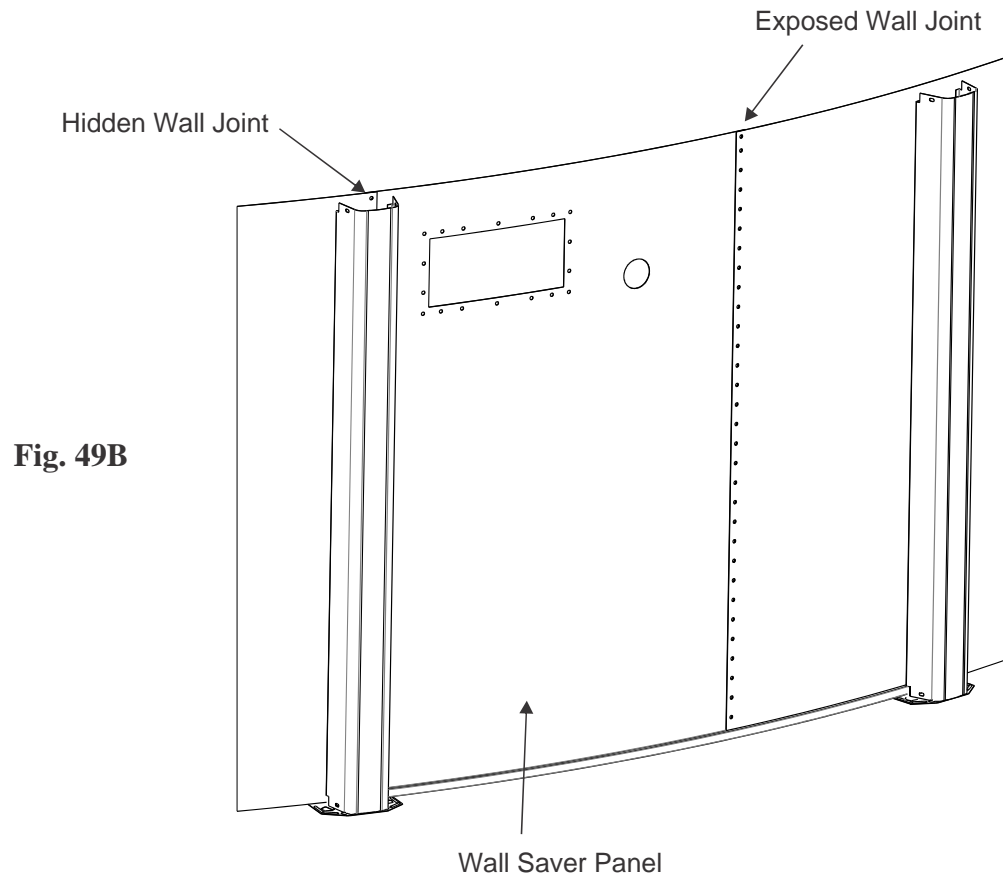


Fig. 49B

STEP 15 – PREPARING THE COVE:

Using neutral alkalinity sifted earth or fine sand without pebbles, build a 2" base over the entire pool area to protect the liner. Make sure that the straps and the pressure plates are covered entirely. If the base does not fully cover the metal components, they will show through and will damage the liner. If using vermiculite or foam base, you must have at least two inches of soil or sand on top of the straps and pressure plates. Vermiculite alone will not properly cover these metal components, possibly allowing damage to the liner. Do not use any substance with high alkaline or acid content, such as peat moss. It will cause the pool to corrode.

Next, using sifted earth or fine sand, build a 6" to 8" pool cove inside the metal wall along the entire circumference. The cove will prevent the liner from creeping under the wall and will also protect the liner from any metal corners of the pool framework. **THIS STEP IS NOT OPTIONAL – IT MUST BE DONE!** Since earth containing chemicals can cause discoloration or corrosion, it is suggested that you place polyethylene plastic sheeting under the cove around the perimeter of the wall, so no earth comes in contact with the metal. Since the presence of such chemicals is beyond the control of the manufacturer, such damage is not covered by the warranty. The plastic sheeting will not prevent a washout in the event that your liner is damaged. The plastic is only to protect the metal framework of the pool from corrosion.

After the cove and base are in place, rake and tamp the entire pool area. Make sure that no sand remains on the wall above the cove. This could cause pinholes in your liner.

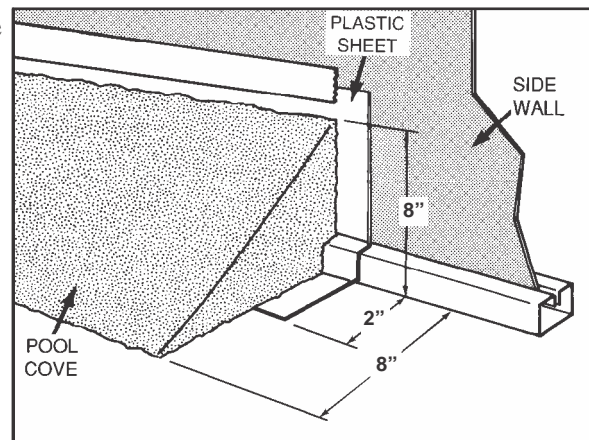
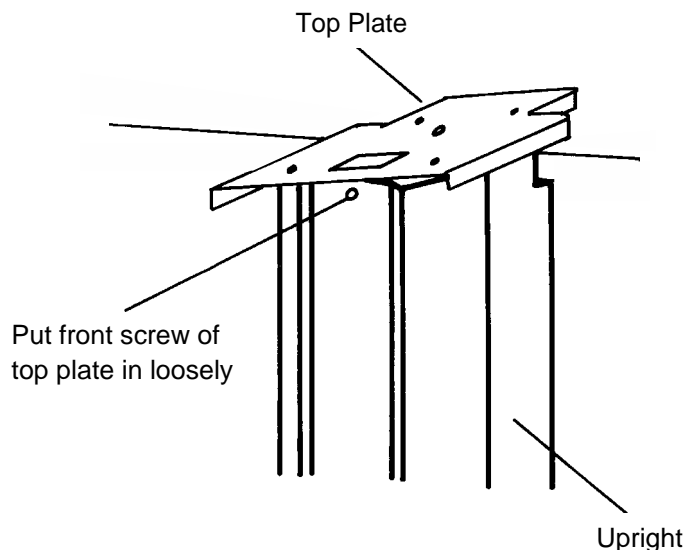


Fig. 50

STEP 16 – CURVED END UPRIGHT ASSEMBLY:

It is easiest to line up all of the uprights next to each other. It helps to lean them up against a fence or some other sturdy object. On most models the top of the uprights can be identified by either an extra hole in the middle, or by an extra hole on each side (depending on which pool you have) for the decorator caps. Place the metal top plate on the upright making sure the holes line up and the hooked part of the plate is facing the open end of the upright (the side that goes against the pool wall). Now put a #10 x 1/2" screw in the center hole only. Do not install screws in the two side holes until later. This will make things easier and more efficient later down the line.

Now install the fence post holders onto the uprights, if you have purchased a fence to go around your pool (see **separate instructions**). If not, or when that is completed, you should line the uprights around the pool at every bottom plate for your convenience later on.



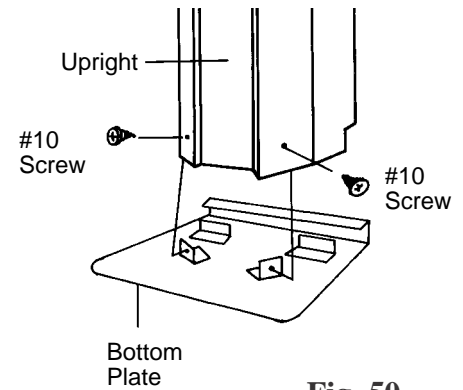
**This is one example of a top plate. The plate for your pool may look a little different.*

Fig. 51

STEP 16 – CURVED END ASSEMBLY (Cont.)

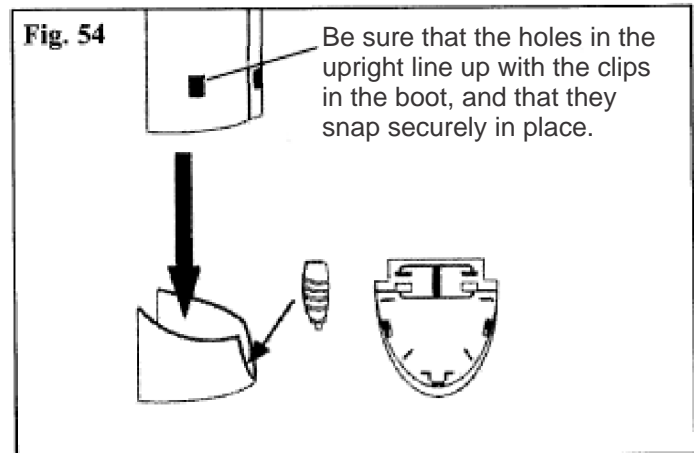
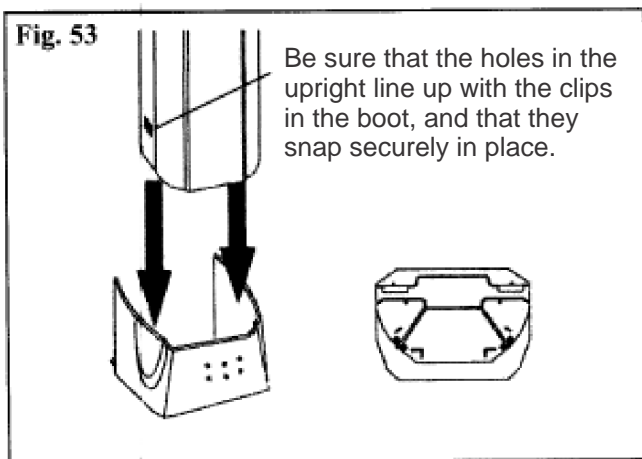
TYPE#1 - BOTTOM PLATE POOLS:

- Models with metal or resin bottom plates will require one, two, or three #10 x 1/2" screws for each upright, depending on which model you have.
- The top plates can remain unsecured for now, but they should be temporarily clipped over the wall to prevent them from falling backward.
- If your pool has an additional resin "boot" for the bottom of the upright, secure them to the uprights at this point using two more #10 x 1/2" screws.
- Check curved ends of the pool for roundness again, making sure that the stakes have not been moved and your pool is still a true oval shape.



TYPE#2 - BOTTOM CUFF POOLS:

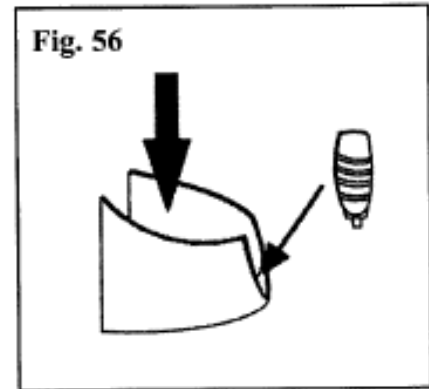
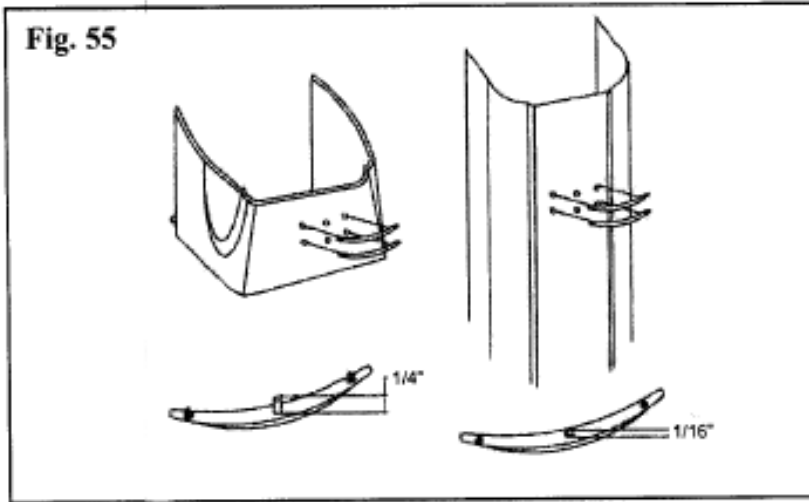
- Models with resin bottom cuffs, instead of bottom plates, do not require hardware in order to secure the upright at the bottom. Simply line up holes in the lower portion of the upright with the corresponding clips in the bottom cuff and push them down until they lock in place. When this is done properly the upright will not be able to be pulled up without bringing the bottom cuff with it.
- The metal top plates can remain unsecured for the time being, but they should be temporarily clipped over the wall to prevent them from falling backward.
- Check curved ends of the pool for roundness again, making sure that the stakes have not been moved and your pool is still a true oval shape.



STEP 16 –CURVED END ASSEMBLY (Cont.)

ACCENT CLIP INSTALLATION (Not applicable to all models of pools):

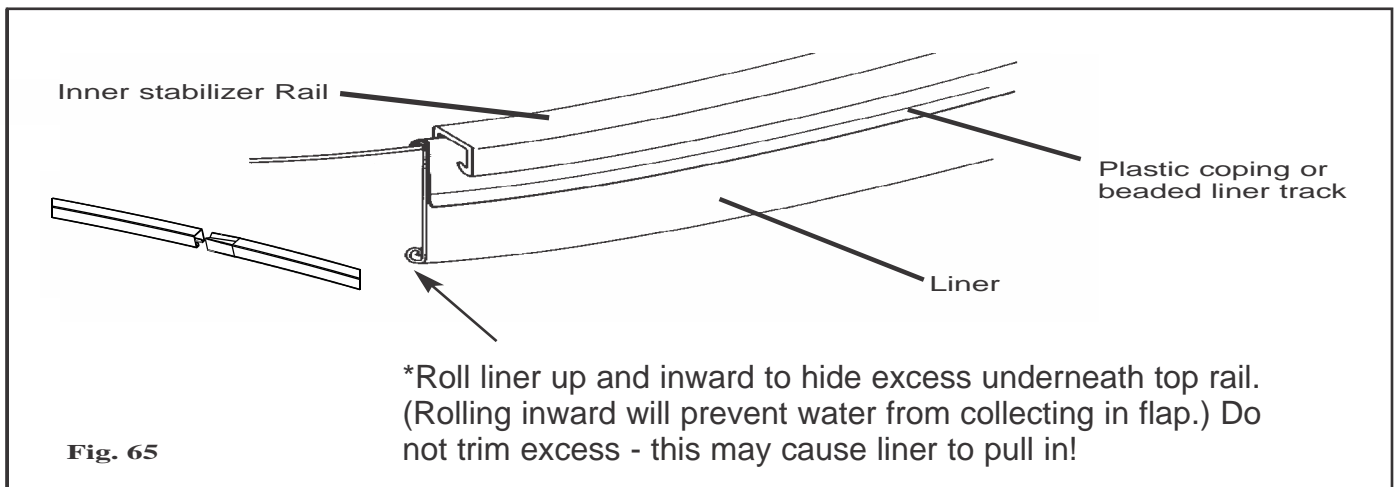
Sortie bottom cuffs and/or uprights have separate accent clips. This is a good time to snap those pieces on if your pool has these. Below are some examples of accent clips.



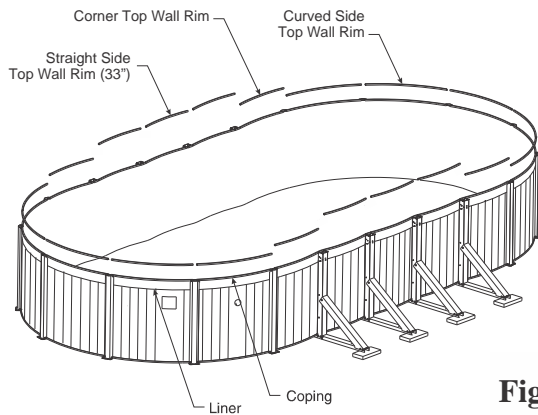
STEP 17 – INNER STABILIZER INSTALLATION:

When the liner is completely adjusted and the plastic coping is secured, the next step is to install the top wall rims. You should have four different size top wall rims (except for 12' X 17' pools which only have three) Reference the chart in Step 10. You should have some 8" rails, some 33" rails, some 37" rails, and an even number of longer rails which have one tapered side and one straight cut side. Separate stabilizers into different sizes now.

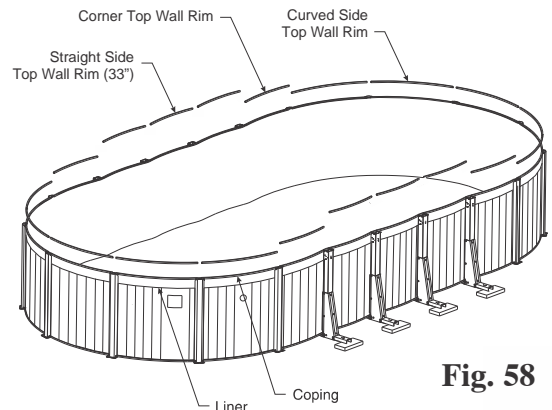
- A) Starting at the first upright on one of the curved sides, push one of the longest top wall rims over the coping so it fits snugly. Be sure to leave the straight cut end of stabilizer slightly raised so that the next stabilizer can interlock as shown below. As they are progressively installed around the curved side of the pool, note that the tapered end of the stabilizer easily telescopes into straight cut end of the previous stabilizer. The tapered end should be inserted approximately 1" into the adjacent stabilizer. This allows for adjustment either in or out. Continue this until you get to the last curved side upright and then do the same with the remaining long stabilizers on the other curved side.
- B) Once the curved sides have been completed find the four 37" stabilizer bars. Push these stabilizers over the coping in the "corners" in the same way with the exception that they do not interlock into any other rails. Remember, the "corners" are the space between the last straight side upright and the first curved side upright. There may be a small space between the stabilizers.
- C) The 33" stabilizer bars are also independent. These rails are used in the spaces between the straight side uprights.
- D) Finally, the 8" stabilizer bars are installed directly in front of each straight side upright. Because of the manner in which the wall bends around the straight side upright these stabilizer bars are installed so that the ends of each bar are bending out away from the center of the pool.



Traditional Buttress



Buttress-Free



STEP 18 – STRAIGHT SIDE TOP PLATE INSTALLATION:

Now is the time to install the straight side top plates. Simply place each one over a different oval upright and the stabilizer rail, match the holes on the top plate to those on the straight side upright, and fasten them together using four #10 x 1/2" screws in each.

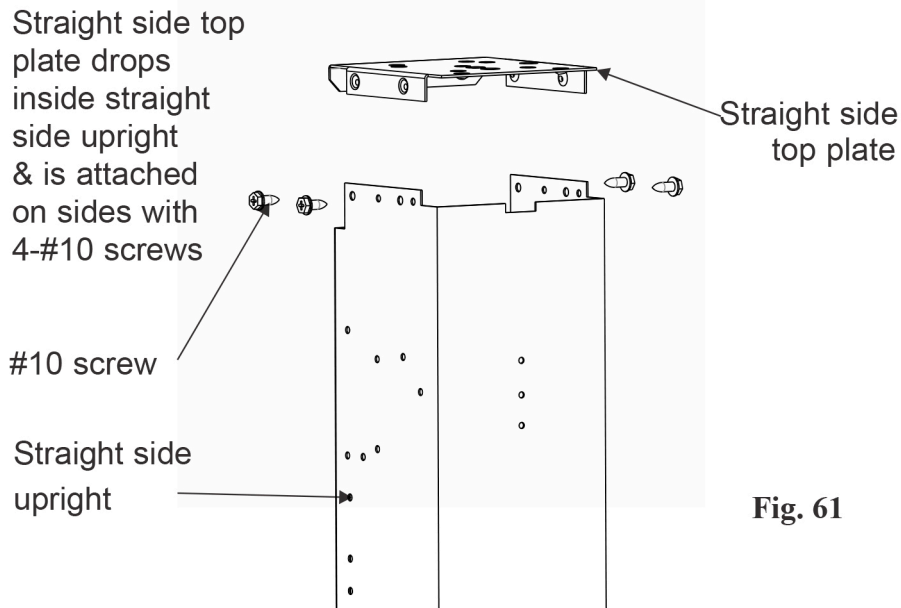


Fig. 61

STEP 19 – SECURING THE CURVED SIDE UPRIGHTS:

For the uprights on the curved ends of the pool, you can now pull the front of the top plate (the hooked part) over the stabilizer bar and, after you are positive that the upright is level, you can now add the final two screws necessary to secure the uprights to the pool. If the uprights are not level, it will be very difficult to get the top rails to fit together. It is a good idea to use a carpenter's level to check that the upright is standing perfectly straight. If the upright is leaning left or right this is easy to correct before putting the final two screws into the top plate.

** Sample Top Plate - Yours may look a little different*

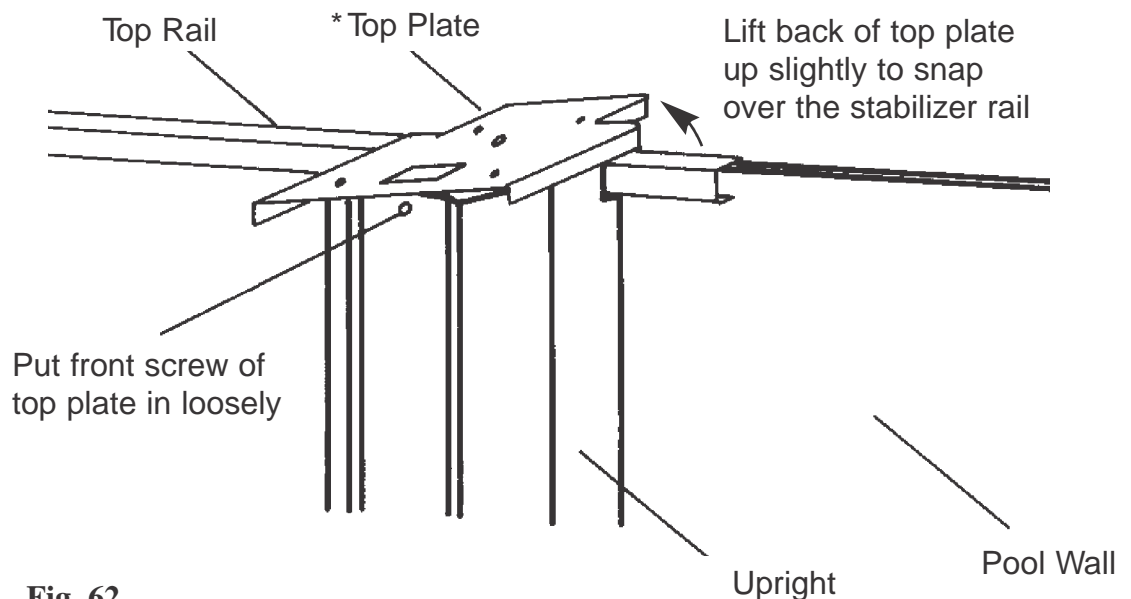


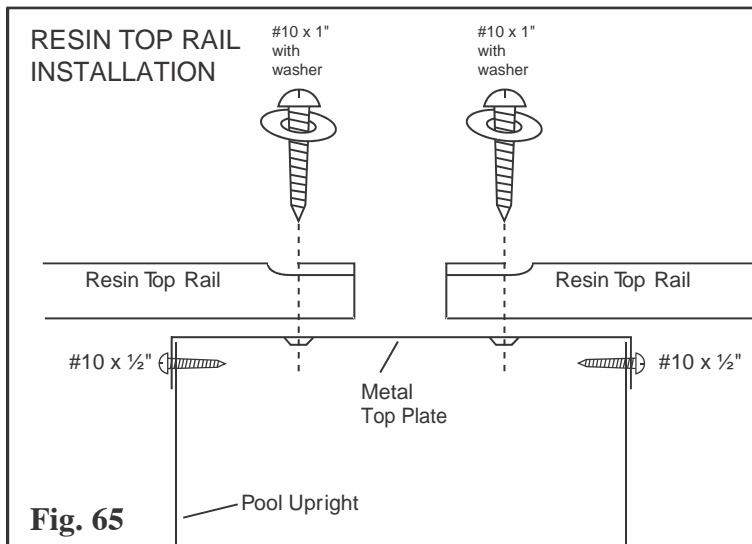
Fig. 62

STEP 20 – TOP RAIL INSTALLATION:

Your pool either has metal top rails, or resin top rails. Please notice the different hardware that is necessary for the resin top rail pools.

You should have two people while installing the top rails. If a top rail falls in the pool it can cut your liner.

- You should have two different length top rails with your oval pool. The 41 ¼" long top rails (measured from longest point to longest point) are for the straight sides of the pool. Note, the four rails that connect the curved side uprights to the straight side uprights are 41 ¼" rails.
- Install all straight side rails (41 ¼") first by placing them on the top plates, lining up the holes in the top rail with the holes in the top plates, and secure them down using four #10 screws for each top rail. All screws should be put on loose and tightened after all rails are on.
- Once all of the straight side rails are done, install the longer rails on the curved sides of the pool in the same fashion.



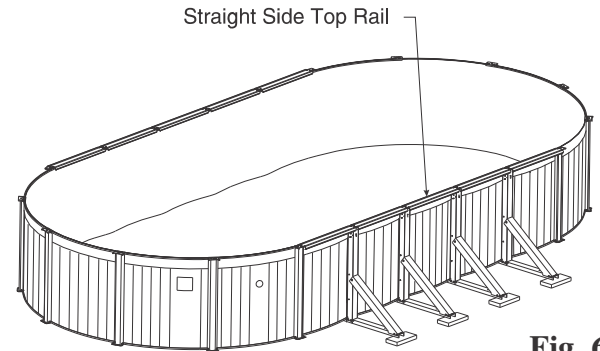
RESIN TOP RAIL INSTALLATION:

When a resin top rail pool is assembled, you must use special hardware to attach the resin top rail to the metal top plate. Please see the Fig 65.

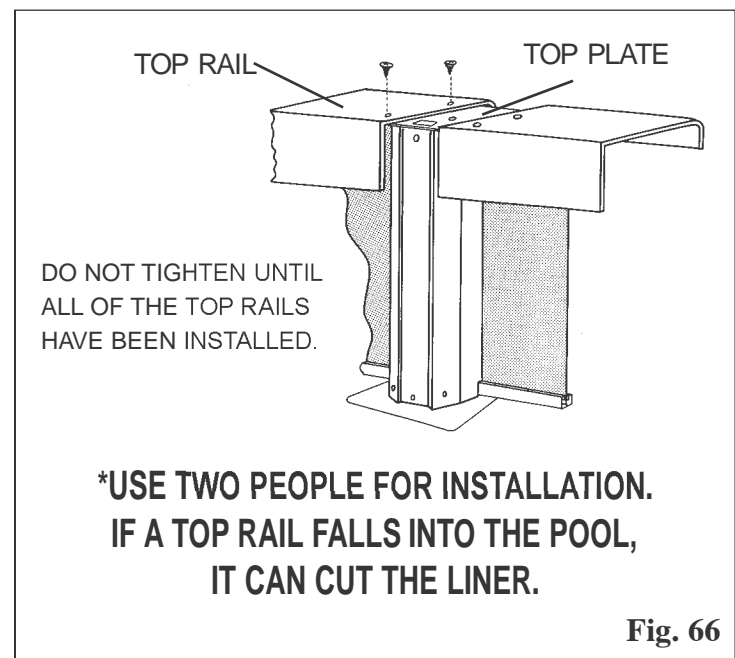
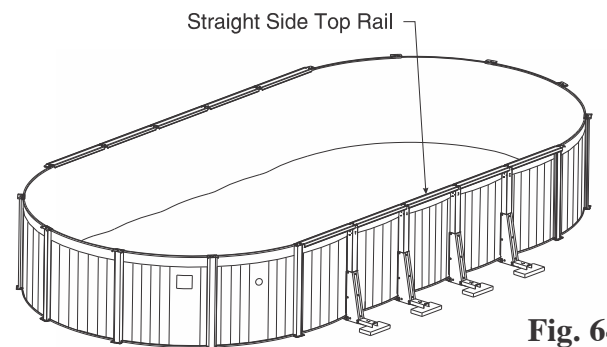
The special hardware is:

- a) A #10 screw that is 1" long.
- b) A washer with the screw to distribute the pressure more evenly.

Traditional Buttress

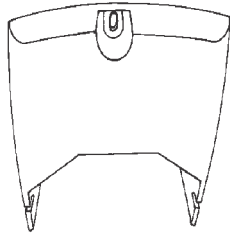


Buttress-Free

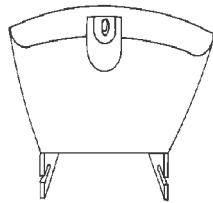


STEP 21 –TOP COVER INSTALLATION:

TWO PIECE RESIN TOP COVER WITH ATTACHMENTS ON THE SIDES There is a straight support with a square cutout to fit the oval upright, instead of an angle support supplied for the curved ends. It attaches the exact same way as the angle support.

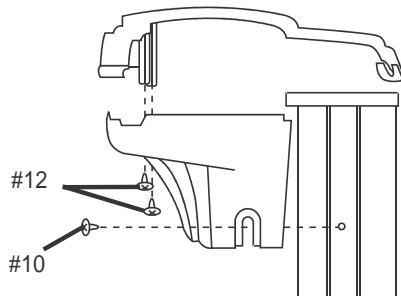


CURVED SIDE ANGLE SUPPORT:
Use on curved end upright.

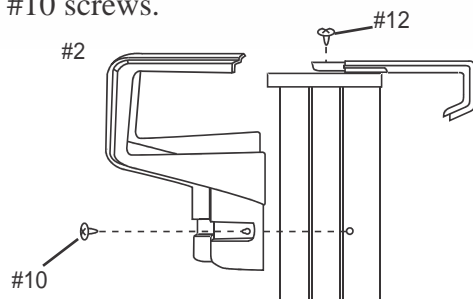


STRAIGHT SIDE SUPPORT
Used on the straight side of the pool-notice the square cutout. Use on oval uprights.

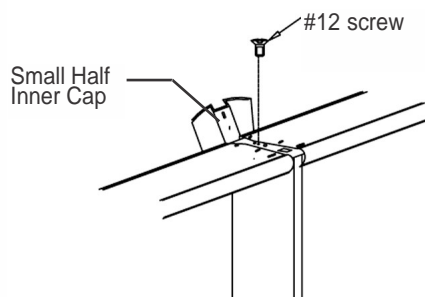
Fasten bottom half of top cap to upright using #10 screws.
Secure top half to bottom half using #12 screws.



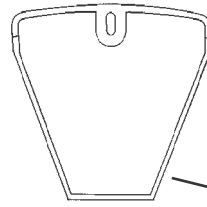
2 PC RESIN TOP COVER: Center small half over hole in the top plate as shown and attach with a #12 screw. Slide the large half over the small half and secure using two #10 screws.



1) Attach the inner top cap using a #12 Screw into hole #2.

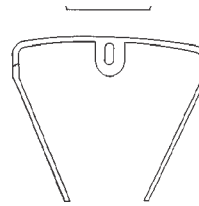


LARGE TWO PIECE RESIN TOP COVER WITH ATTACHMENT IN FRONT: (DOES NOT INCLUDE 6" TOP RAIL POOLS)
The curved end angle support is slightly larger than the straight support. The straight support is not filled in the back.



TOP VIEW OF CURVED SIDE ANGLE SUPPORT:
Larger than straight side support. Has back wall. Use on curved end uprights.

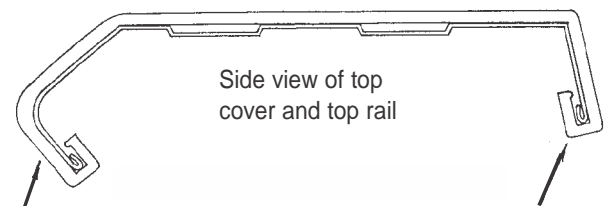
Back wall



TOP VIEW OF STRAIGHT SIDE SUPPORT:
Smaller piece that is open in back. Use on oval uprights.

No back wall

ONE PIECE RESIN CLIP-ON COVER: This installation requires no hardware. Simply hook the back end of the top cover into place, and use your fingers or a screwdriver to gently flex the front tabs enough to hook the cover in place. Make sure that the top cover is centered over the upright when installing.

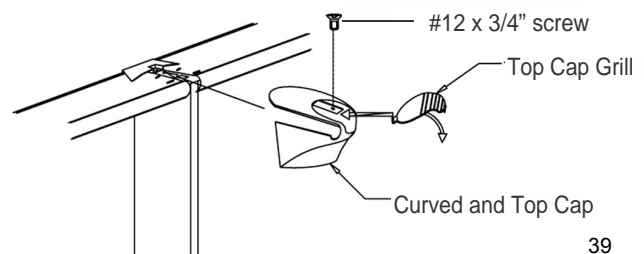


Swing this end around and gently flex tab into place.

Hook this end first.

Bullnose rail is used for the illustration, but installation is the same for all 1 pc. clip-on resin covers.

2) Attach the resin outer Top Cap using a #12 screw into hole. Put the grill over the screw when finished. See Diagram below.



Important Pool Safety & Maintenance

Keep your pool wall and frame clean. Always wash away any deposits of pool chemicals which land on the frame of your pool. Wash periodically with a mild soap solution (no abrasives). At least once a year use a clear non-yellowing household wax on all metal components.

Your pool and liner must be inspected regularly for leaks, corrosion, scratches, and punctures. If any problem is found IMMEDIATE CORRECTIVE ACTION MUST BE TAKEN. Small repairs and punctures in your liner may be easily repaired using repair kits available at your local dealer. Scratches on your pool wall & frame must be touched up with anti-rust enamel. Wire brush all rust and add a coat of enamel primer followed by a coat of color matching paint. Pool water is full of various caustic chemicals, which will corrode metal parts. If any corrosion is allowed to continue, failure of the pool structure may occur which could result in excessive property damage as well as bodily harm.

The skimmer area and below it are particular areas that must be carefully and regularly inspected. If this area is wet, and remains wet for any length of time, it usually means there is a small leak. Skimmer/skimmer return gaskets must be replaced when they become defective. Water must not be permitted to continually run down the wall, if neglected pool will break. If proper skimmer/skimmer return gasket care is not maintained, your warranty will be void!

Be sure to follow all local and state safety regulations when installing any accessory to your pool. Any decks, and all entries, must be carefully monitored for safety and access to pool. Installing any other manufacturer's deck or slide is strictly forbidden!

Winterizing Your Pool

During the winter your pool is subject to more stress than in the summer, and any breakage that is caused by incorrect winter procedures is not subject to any warranty with this company.

All of our pools and liners are designed to be left up all winter, but nonetheless are subject to the warranty of the liner being purchased. Continue to chlorinate and filter until the pool is closed down.

Before closing down your pool for the winter you must make a complete inspection of the pool.

Check all the connections to make sure everything is tight and in good condition

Check to see that the liner is snugly held in place over the wall.

Check for any indication of rust or deterioration in any part.

IF ANY OF THE ABOVE IS FAULTY YOU MUST CORRECT THE SITUATION IMMEDIATELY.

Lower the level of water to about one foot below the skimmer intake and return holes. Throughout the winter you must continually check this level, as it must not reach the skimmer holes at any time during the winter.

During the winter the pool requires the use of an equalizer to allow for the expansion and contraction that occurs when ice is formed and to hold cover up. This can be a product manufactured for this express purpose and is available at your swimming pool dealer.

The use of a winterizing agent will simplify the start up of your pool next season.

A cover designed for winter use is also recommended to keep pressure on the equalizer so it is forced into the water, keep dirt out, and at the same time, serve as a safety cover.

If your skimmer is supplied with a winter plate and cap you must still follow the same steps as above. It is essential that no water be allowed to run down the wall for any period of time. If your skimmer did not come with the winter plate it is available at a nominal charge at your dealer and is recommended.

Important Winter Rules

After your pool has been winterized and all steps carefully followed, the following checks and procedures must be strictly followed during fall, winter, and spring seasons.

**Your pool warranty will be invalid if pool has been improperly winterized and the following procedures not strictly adhered to.
Pools that have been incorrectly winterized have been known to collapse under the tremendous pressures exerted by ice and snow.**

A pool that is left up during the freezing temperatures must not be allowed to leak. It is not uncommon for a leak to develop during rigorous summer usage and go undetected. What is thought to be water loss due to evaporation or spillage may be caused by a small leak. Persistent wet areas around the pool should be inspected. To determine if your pool is leaking, mark the liner at the water level and closely observe the water level in the pool for a period of 10 - 12 days after the pool is closed for the season. Any rain during this period may compensate for any undetected water leakage. Therefore, the observation period must be extended to find any leaks.

Maintain a strict leak inspection schedule throughout fall, winter, and spring months. Spring thawing which frequently leads to ground heaving can be especially dangerous if care is not taken.

Maintain a strict inspection of the inner skimmer housing to see that water is not leaking at the gasket. If the skimmer was not removed, water should not be allowed to collect in the skimmer housing as the water will freeze and crack the housing and cause possible damage to the wall.

Should ice, or anything else, cut your pool liner allowing the pool to empty, be sure to release the cover thereby removing the weight from the top of your pool. Failing to do so can cause your pool to collapse.

Consult your pool dealer for the proper winter chemicals for quick spring start up.

During the course of the winter the liner may pull out of it's coping due to no fault of the pool installer. Due to freezing and thawing of the ground, the ground sometimes sinks and the liner with the weight of ice or water will sink also, thus pulling the liner out of it's coping.

Be sure to pull off all excess snow and ice from the winter cover.

Do not permit ice skating or horseplay during the winter as this can cause pool and liner damage, as well as, serious injuries.



IMPORTANT INFORMATION ABOUT YOUR LINER

We do not make or supply liners for our pools.

Please contact your liner's manufacturer with questions or if instructions are not included with the liner.

Liner must be installed per the liner manufacturer's instructions.

Incorrect liner installation may void the warranty.