

Aqua Select® Gate System

MODEL 832406

FOR USE WITH:

Aqua Select® Everest
BRIDGE SYSTEM
(832421B)

CARTONS REQUIRED

- (2) 832402B — Aqua Select® Everest Step
- (1) 832405B — Aqua Select® Crossover and Enclosure
- (1) 832406 — Aqua Select® Gate



FOR USE WITH:

Aqua Select® Everest
GATED ENTRY WITH
IN POOL LADDER
(832406EV)

CARTONS REQUIRED

- (1) 832402B — Aqua Select® Everest Step
- (1) 832405P — Aqua Select® Pickets
- (1) 832406 — Aqua Select® Gate
- (1) 832406SC — Aqua Select® Heavy Duty In-Pool Ladder



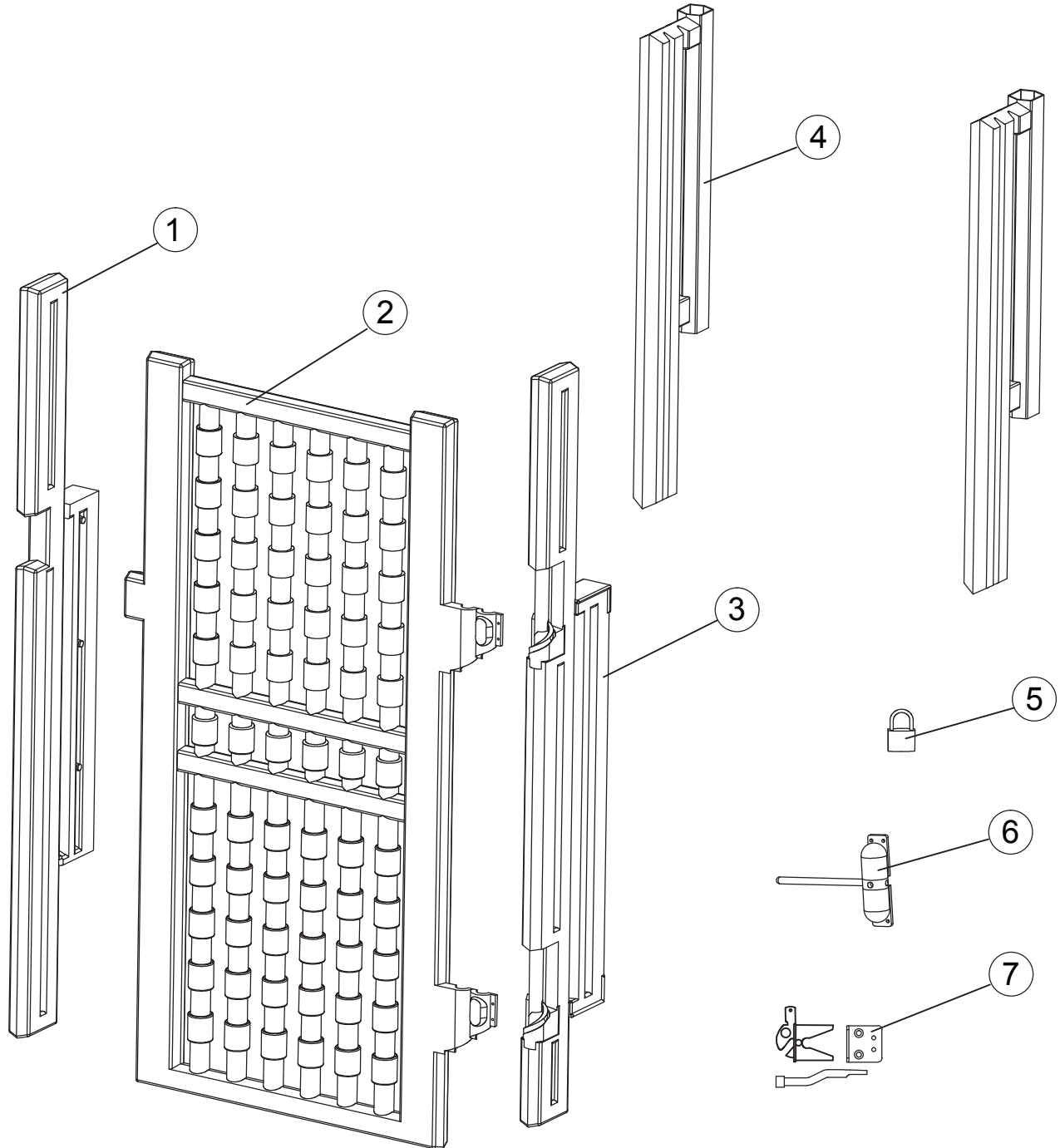
TOOLS REQUIRED

- Phillips head screwdriver
- Drill with 1/16" drill bit

This gate is the final component of the Aqua Select® Everest Bridge System and the Aqua Select® Everest Entry System. Prior to installing the gate, please follow the instructions included in the other cartons first.

NOTE If you are adding this component after completing the full Aqua Select® Everest step assembly (832402B), you will need to remove the outside handrails to install the gate.

AQUA SELECT® GATE SYSTEM PARTS



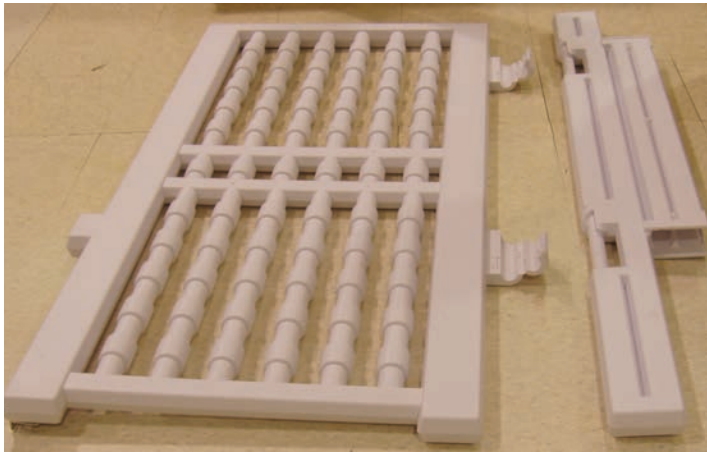
PART #	MODEL #	DESCRIPTION	QTY
1	AC HINGEPT	Hinge Post	1
2	AC GATE	Gate	1
3	AC LATCHPT	Latch Post	1
4	AC HINGEMT	Mounting Post	2
5	AC PADLOCK	Padlock	1
6	AC 79073	Optional Gate Closer	1
7	AC GATELATH	Gate Latch	1

IMPORTANT SAFETY INSTRUCTIONS PLEASE READ PRIOR TO ASSEMBLY/USE

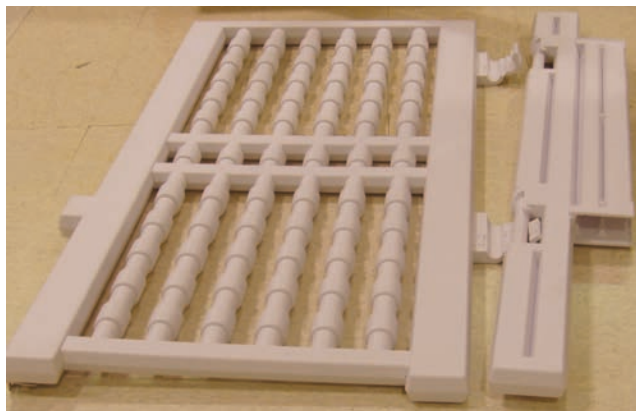
The Ladder must be installed based on **Manufacturer's Instructions**

- One person on the Ladder/Stair at a time
- This Ladder is designed and manufactured for a specific Pool Wall Height and/or Deck of the Pool
- For Entry/Exit of pool, face the ladder at all times
- Remove and secure Ladder when pool is not occupied
- The Ladder will be suitable up to 54" Maximum Pool Height

STEP 1



- Lay gate (**AC GATE**) flat on a clean, level area and open plastic hinges as shown.



- Locate hinge post (**AC HINGEPT**) and lay next to gate with openings lined up to plastic hinges of gate.
- Stick plastic hinges of gate through openings of hinge post. The wider part of the hinge post is the bottom and should be lined up with the bottom of the gate (flat part indicates bottom).



- Wrap plastic hinges around hinge post and secure in place using (8) of the #7 x 1/2" screws from hardware (**AC HDW30988**).

STEP 2



- The hinge mounting posts (**AC HINGEMT**) should be installed onto the short handrail posts on the second step of the outside staircase.
- Attach one hinge mounting post to each of the short handrail posts with the long skinny side facing down towards the step.
- Secure in place using (4) of the # 10 x 1-1/4" screws from hardware (**AC HDW30988**) through pre-marked openings.

STEP 3

- Slide hinge post with attached gate OVER hinge mounting post (**AC HINGEMT**) on right side of step. Make sure that post is pushed down completely and that post touches bottom step of staircase.
Note: It may be necessary to spread the back of the hinge post open to install.
- Fasten hinge post to mounting post using (6) of the #10 x 1-1/4" screws found in hardware bag (**AC HDW30988**) through pre-marked openings on inside and outside of post.



STEP 4



- Slide latch mounting post (**AC LATCHPT**) onto hinge mounting post (**AC HINGEMT**) on left side of step.
NOTE: *It may be necessary to spread the back of the latch mounting post open to install.*

NOTE Picture here shows view from **BEHIND** step, the latch mounting post should face the same way as the hinge post.

- The door stop (squared piece sticking out on gate) should sit perfectly in recessed area of latch mounting post (**AC LATCHPT**). If it is **NOT** sitting correctly, adjust the height of the latch mounting post until it sits flush. Once in place, secure post to mounting post using (6) of the #10 x 1-1/4" screws through pre-marked openings.



NOTE Do not install gate latch assembly until the gate is seated properly otherwise the latch will not catch.

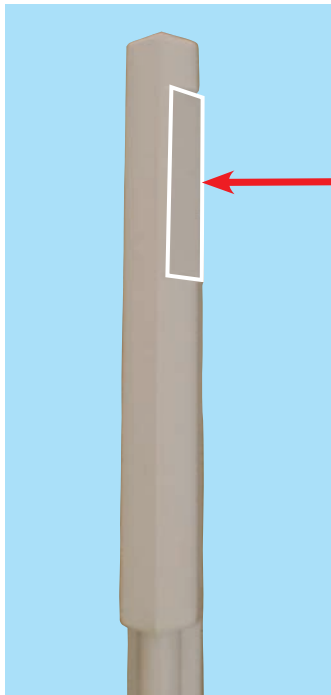
STEP 5

- To complete installation, you will need the gate latch assembly (**AC GATELATH**).
- There is a raised area of the latch mounting post where you will secure the latch itself using the (4) short screws supplied with the latch.
- Secure bar to either of the far openings on the plate. Make sure bar lines up with latch so it will close properly.
- Using two remaining short screws, secure plate to the corner of the gate through two holes closest to the latch.



STEP 6 - OPTIONAL GATE CLOSER — AC 79073

- The optional gate closer is designed to assist the gravity close feature of your Bridge Entry System.



- The gate closer is to be installed on the hinge post in the space provided.
- Mount the closer onto the hinged post on the flat area of the post above the 2 hinges.

- Secure the closer to the hinge post with the screws provided with the closer.



- The arm of the closer must face the latch side of the gate for the closer to function.

NOTE Lubrication of the self closer with a silicone based lubricant will enhance the closers performance.

HOW TO SET TENSION



- Turn the center hole away from the door with the steel bar supplied.

- Screw the arm into the hole nearest the gate.



- Remove the steel bar and allow arm to close.

- To increase or decrease the tension, repeat the above steps one hole at a time until the desired tension is found.



WARNING Do not over tension the closer. Over tensioning will cause the spring to buckle and the gate to slam shut and could cause damage.

SAFETY INFORMATION

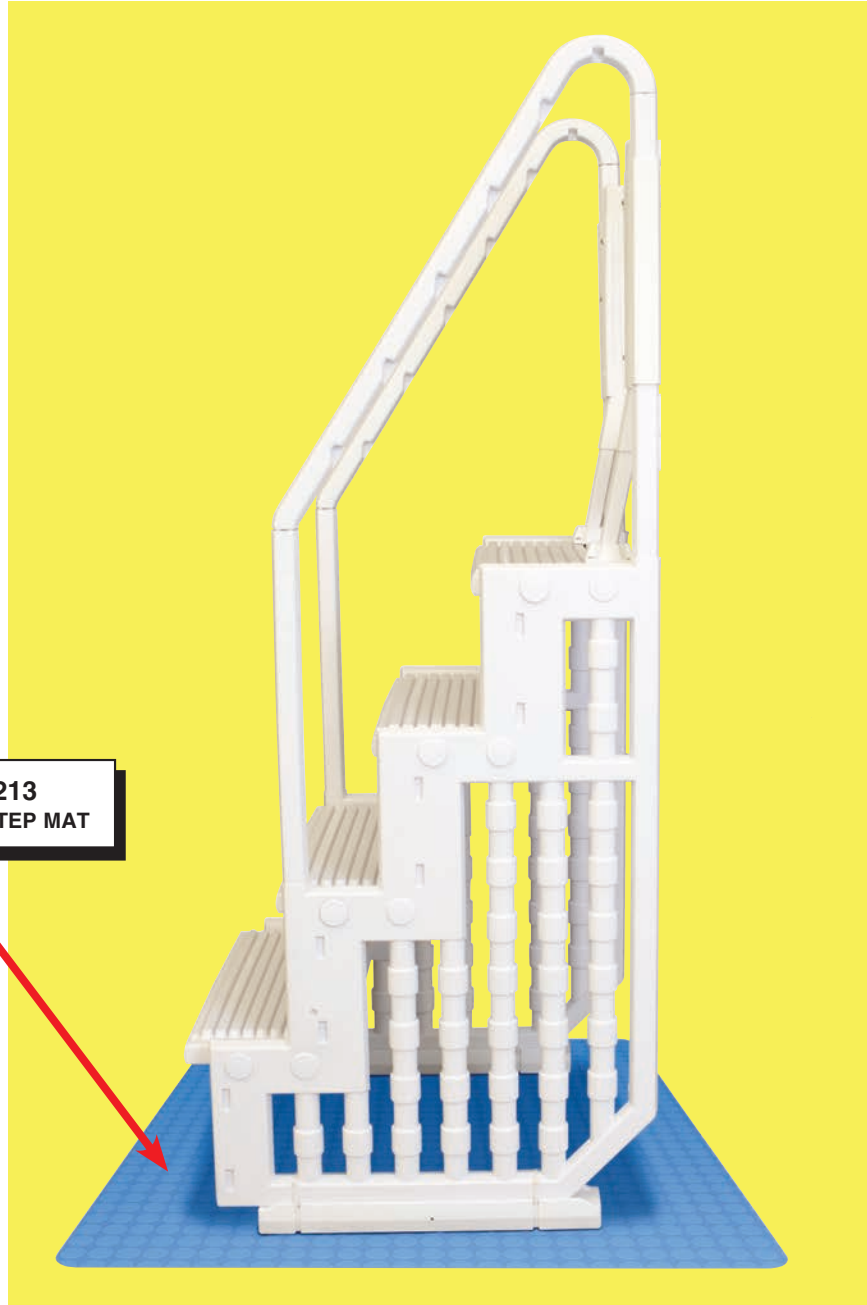
- When lifting heavy or awkward loads, it is suggested that two people lift to avoid injury.
- **DO NOT** use the pool entry system for any purpose other than that for which it is intended.
- Maximum weight on steps should **NOT** exceed 350 lbs.

MAINTENANCE

- Step/ladder/bridges must be removed for winter, failure to do so can cause the step to crack.
- When removing step/ladder/bridges for winter, it is recommended that you spray down step with hose water to rinse off any chemical residual prior to storing.
- When storing step/ladder/bridges for winter, it should be protected from the elements and stored either in a shed or garage, or covered with a tarp.

STEP MATS

- The use of a step mat is **STRONGLY RECOMMENDED** with any pool step. Step mats prevent your pool liner from being damaged by slight movements of your pool step.



USE MODEL 832213
Aqua Select® 36" x 48" STEP MAT

HOW TO INSTALL YOUR STEP MAT

1. Remove step mat from packaging
2. Place step mat onto the bottom of the pool with the smooth side facing down towards the liner
3. Place fully assembled step on top of the step mat. Make sure the step is centered on the step mat
4. Properly secure step to your pool

**STEP MATS ARE SOLD SEPARATELY FROM
YOUR POOL STEP**