

Cantair
A Q U A C O V E R
REEL SYSTEM

TWO-YEAR LIMITED WARRANTY

The CANTAIR/POLYAIR CORPORATION warrants for two years from the date of purchase, to the original purchaser of our Solar Reel System, that the company, at its option, will repair free of charge or replace any Solar Blanket Reel System that proves to be defective either in workmanship or material provided it is installed, maintained and used in accordance with the manufacturer's instruction.

⚠ WARNING!

AVOID DROWNING RISK

- STAY OFF COVER — WILL NOT SUPPORT WEIGHT.
- KEEP CHILDREN AWAY, CHILDREN OR OBJECTS CANNOT BE SEEN UNDER COVER.
- CHILDREN CAN DROWN ON TOP OF COVER.
- REMOVE COVER(S) COMPLETELY BEFORE ENTRY OF BATHERS — ENTRAPMENT POSSIBLE.
- NON-SECURED OR IMPROPERLY SECURED COVERS ARE A HAZARD.
- FAILURE TO FOLLOW ALL INSTRUCTIONS MAY RESULT IN INJURY OR DROWNING.
- THIS IS NOT A SAFETY COVER.

TO FILE A CLAIM

1. Please call 800-448-2343 ext. 253 between the hours of 10:00am – 12:00 noon and 2:00pm – 4:00pm eastern standard time Monday – Friday. Or mail in card A.
2. You will receive a warranty questionnaire in the mail. The questionnaire will need to be filled out and returned to Cantair/Polyair Corporation along with proof of purchase and a 1" x 1" section of defective cover.
3. Please allow 6 – 8 weeks for warranty claims to be settled.
4. Cantair/Polyair Corporation will not be responsible for lost mail.

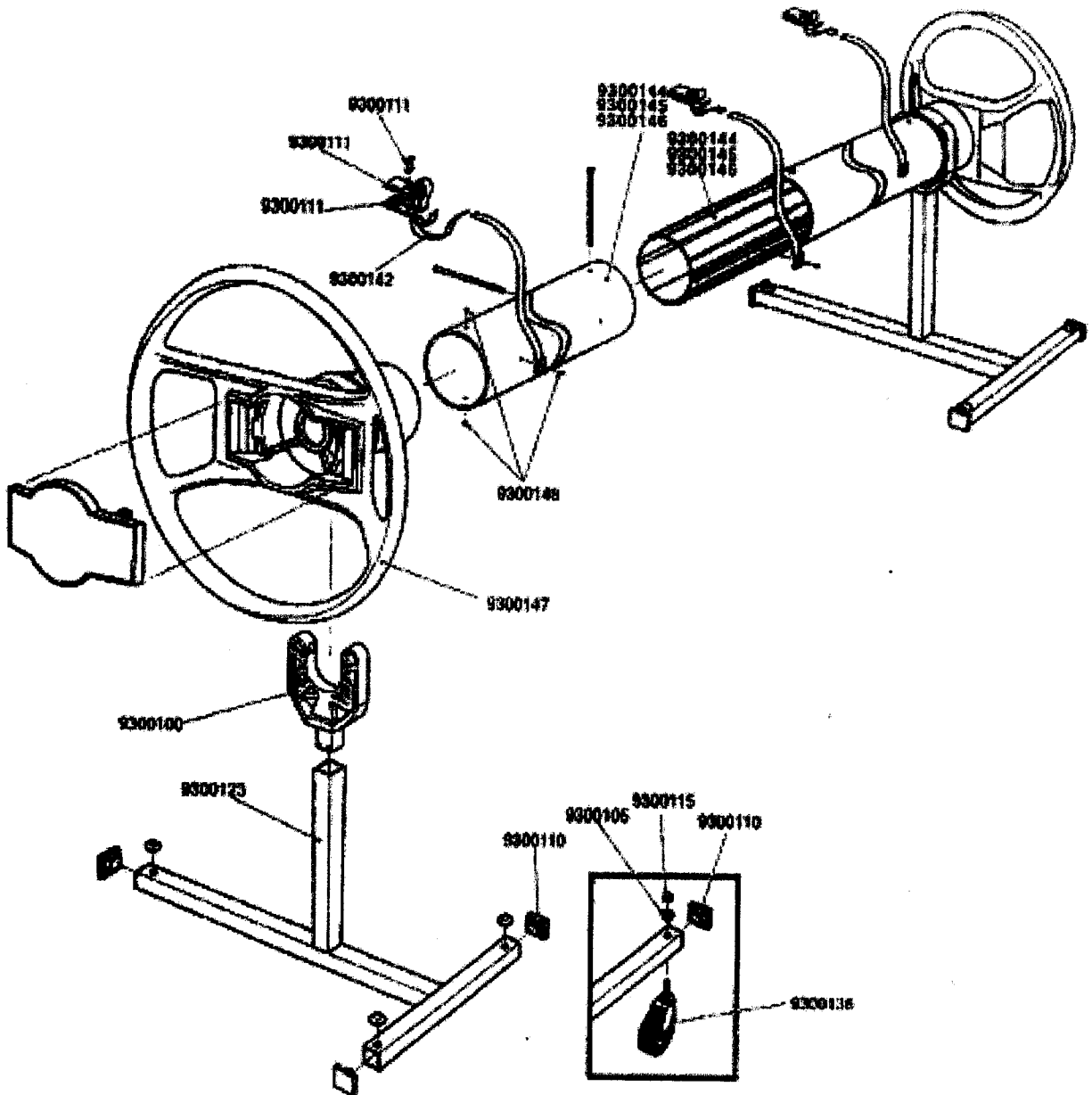
The Solar Blanket Reel System is manufactured to rigid quality specifications, designed exclusively for use with bubble-type solar blanket and will withstand normal wear and tear. This warranty does not extend to: 1) breakage, bending or damage to the reel tube and winding components due to physical causes such as dropping or applying unusual force other than the tension required to wind up the solar blanket; 2) use with non-bubble-type solar blankets such as foam, foam plastic laminates, woven plastic and plain plastic sheeing, etc.

Although any warranties implied are limited to the stated period after the date sold to the original purchaser, some states and/or provinces do not allow limitations on the length of time of an implied warranty. Therefore, the above may not apply in such states/provinces. Any claimant under this warranty has specific legal rights and the provisions in the warranty are neither a modification nor subtractions, but rather, an addition to the statutory warranties and other rights and remedies contained in the applicable state or provincial legislation.

Manufacturer will not be liable for any incidental or consequential damages resulting from any defects in workmanship or material. Some states and or provinces do not allow the exclusion or limitation of incidental or consequential damages, therefore the foregoing limitation or exclusion may not apply.

This warranty gives the original consumer purchaser specific legal rights. The purchaser also has implied warranty rights. In the event of a problem with warranty service or performance, you may be able to go to a small claims court, a state court or a federal district court.

SCHEMATIC OF RESIDENTIAL REEL SYSTEM



OWNER'S INSTRUCTIONS SOLAR BLANKET REEL SYSTEM

ASSEMBLY INSTRUCTIONS

Reel systems are designed for quick and easy assembly. By carefully following these simple steps you will be enjoying your reel system in no time.

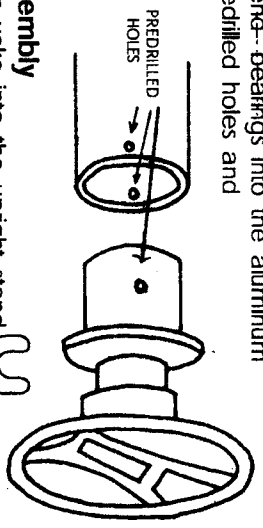
Step #1 Reel Core Assembly

Insert the ribbed tube into the end of the smooth tube (use end with 4 holes). Align the holes of the ribbed tube with those of the smooth tube and insert the threaded stud (only one required for shorter length and two for extended size) through the aligned holes in the tubing so that the studs extend through the tubes on both sides. Secure by placing the lock washer and acorn nuts on each end of the stud. Repeat for other end of the ribbed tube and equally tighten all acorn nuts to the full extent.



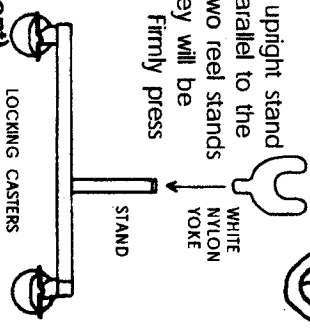
Step #2 Wheel Bearing to Tube Assembly

Fit the wheel tube end--bearings into the aluminum tubes. Align the predrilled holes and insert two (2) self tapping screws into each end. Tighten with a screwdriver.



Step #3 Stand Assembly

First firmly press nylon yoke into the upright stand tubing with the body of the yoke parallel to the long tube of the base. Place your two reel stands in the approximate location that they will be during normal operation of the reel. Firmly press wheel tube end bearings into wheel yolk pushing past retainer pins.



Step #4 Reel Placement (important!)

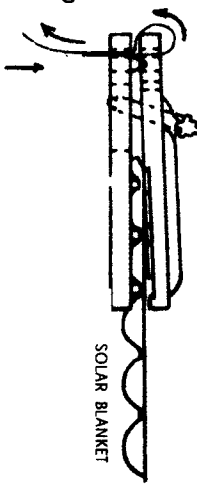
The base should be positioned at the end of the pool so that the long tube of the base is running parallel along the side of the pool. Lubricate the yokes with Vaseline and then place the wheel tube end bearings into the nylon yokes.

Step #5 Strap Attachment to Reel Core

Cut strapping into (4) four foot lengths. Fold one end over (1) one inch, and poke a small hole through both thicknesses with an ice pick or similar tool. Attach to reel tube at approximately four foot intervals (holes are pre-drilled) using 1/2" screws. Firm the other end of each strap so that it forms a point to make #6 easier.

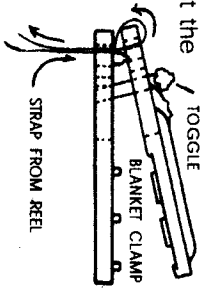
Step #6 Blanket Clamp to Strap Attachment

Secure the clamp in the locked position. Thread the strap form the reel into the rear clamp slots from the bottom. Bring the strap across the top and then back through the bottom slot. To adjust the strap, push both strap pieces up from underneath the clamp until loop forms, then adjust as needed.



Step #7 Blanket Clamp to Solar Blanket

Set clamp in the release position. Insert pool blanket into the clamp just past the locking teeth (keep blanket edge perpendicular to clamp). With one hand, close the clamp while lining up teeth, then fasten clamp with other hand.



Important:

The two pins, which act as a fulcrum at the rear, must be seated in their respective holes on the upper plate before moving the toggle forward to its closed position.

Step #8 Installation of Casters

(Optional-Mobile models only)

Remove the rubber bumpers from both top and bottom of each stand. Push the stem through the hole in the stand. Place the washer over the caster stem. Firmly fasten with the nut. Repeat for all (6) casters. The casters are equipped with a braking device to permit the reel to maintain stationary position.

