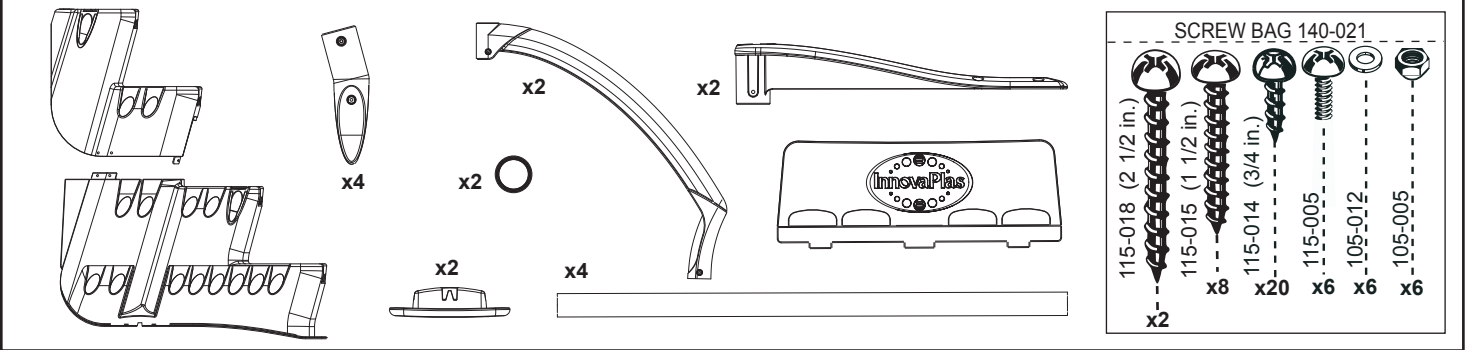


BILTMOR DECK 5005

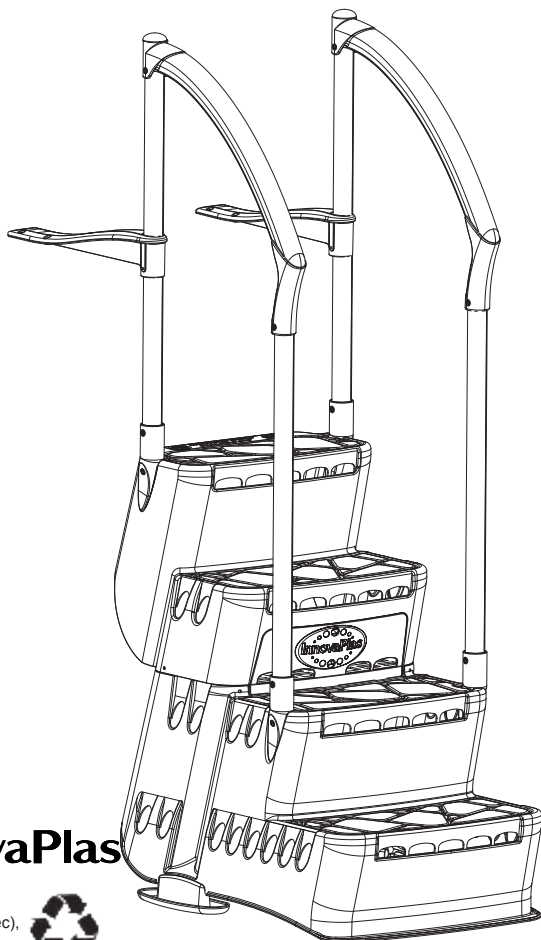
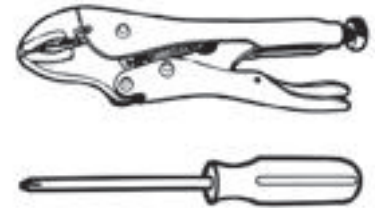
Contents of the Biltmor box SKU # 5005



⚠ WARNING

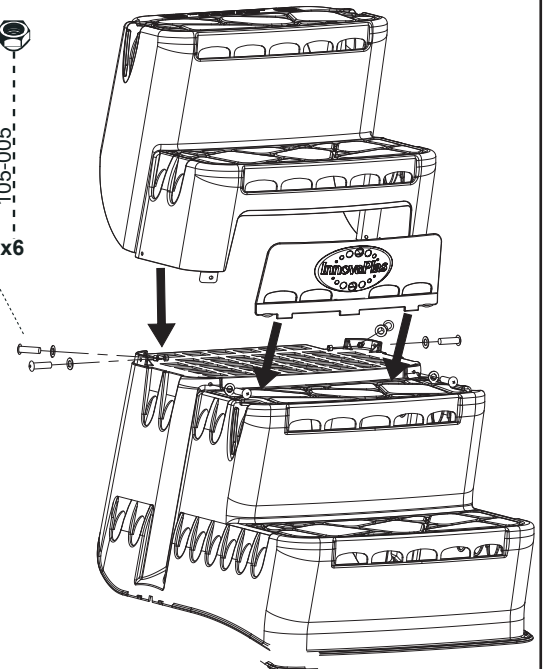
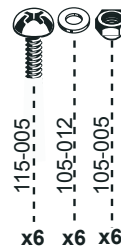
- ◆ Do not dive or jump from step or ladder.
- ◆ Use BATTERY operated tools to avoid electric shocks.
- ◆ Install step on flat surface, following the manufacturers instructions.
- ◆ Remove step from pool during freezing climate season.
- ◆ Manufacturer cannot be held responsible for injuries caused by abusive use of product.
- ◆ Ask your city about specific regulations that apply to your above-ground pool and ladder.

Tools required (not included)



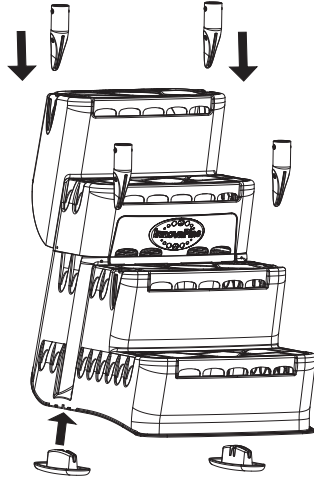
A

- 1) Assemble the two main modules with the six screws, nuts and washers provided.
- 2) Snap the door between the top and bottom module within the slots provided.



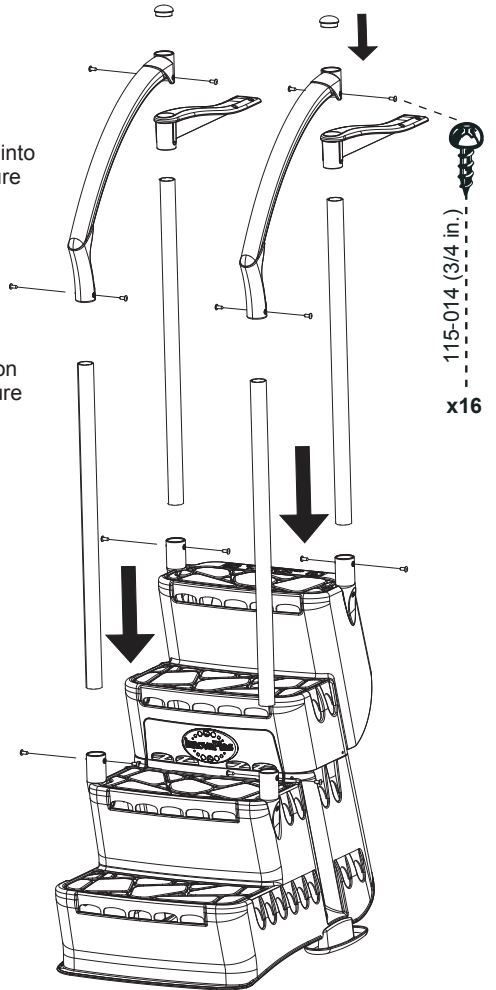
B

- 1) Snap the four post ends into the step, making sure that the cylindrical part is vertical and that the ends are snapped properly in their respective housings.
- 2) Snap the 2 feet to the bottom of the step.



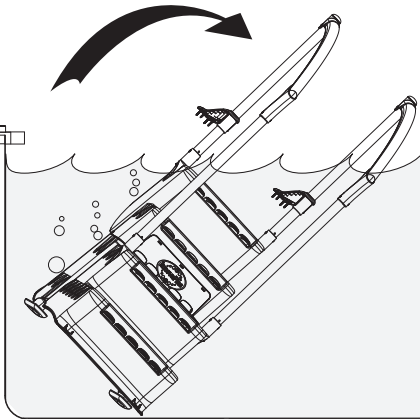
C

- 1) Insert the four posts into the post ends and secure them in place with the screws provided.
- 2) Insert the two deck supports over the rear posts.
- 3) Insert the handrails on the four posts and secure in place.
- 4) Install the small post covers.



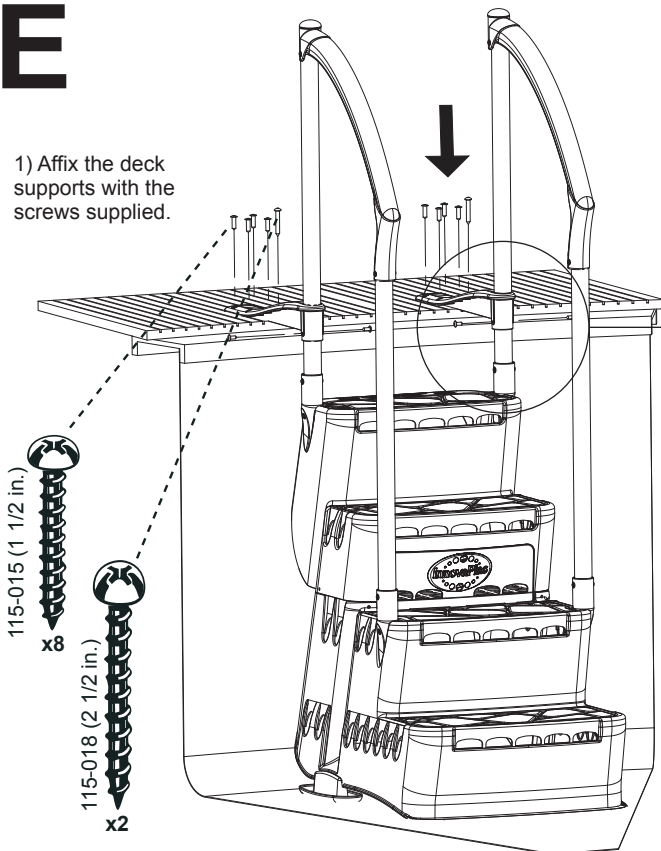
D

- 1) Slowly submerge the step into the pool. Make sure you do not damage the pool liner in the process.
- 2) Angle the whole step so that it is entirely under water. This will purge all the air from under the steps.



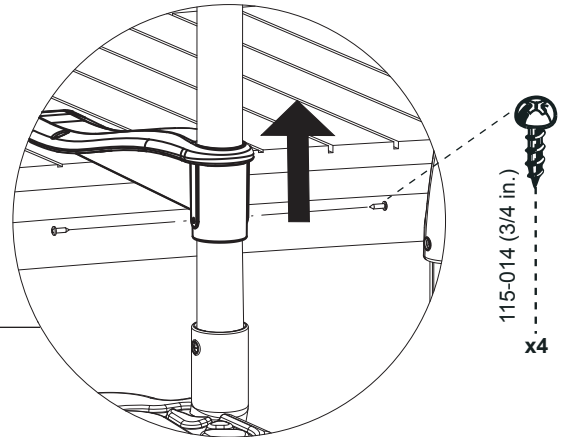
E

- 1) Affix the deck supports with the screws supplied.



F

- 1) Pull the deck supports (already fixed to the deck) upwards to create a spring effect on the step.
- 2) Fasten the supports to the two rear posts while pushing the entire step downwards.



InnovaPlas
The pool Step Company

250 industrial blv,
St-Germain (Québec),
Canada J0C1K0

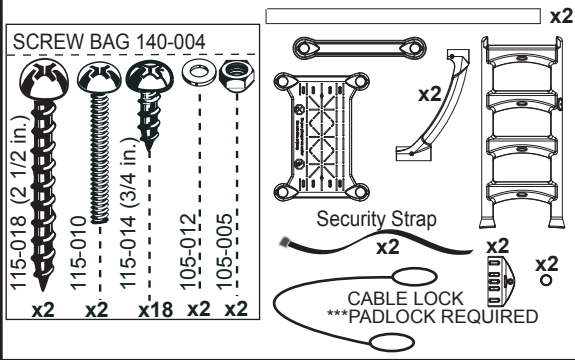


**MANUFACTURER
WARRANTY**

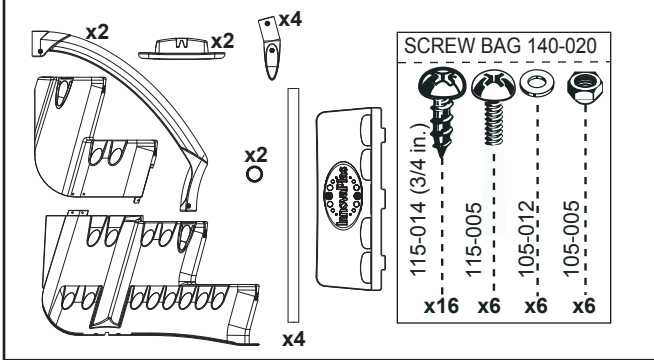
**1 year on the
Biltmor.
1 year on the hardware.**

BILTMOR 5001 WITH CLASSIC LADDER 6001

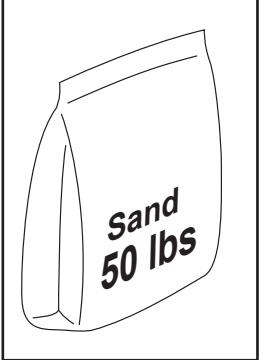
Contents of the ladder box SKU # 6001



Contents of the Biltmor box SKU # 5001



Sand (not included)



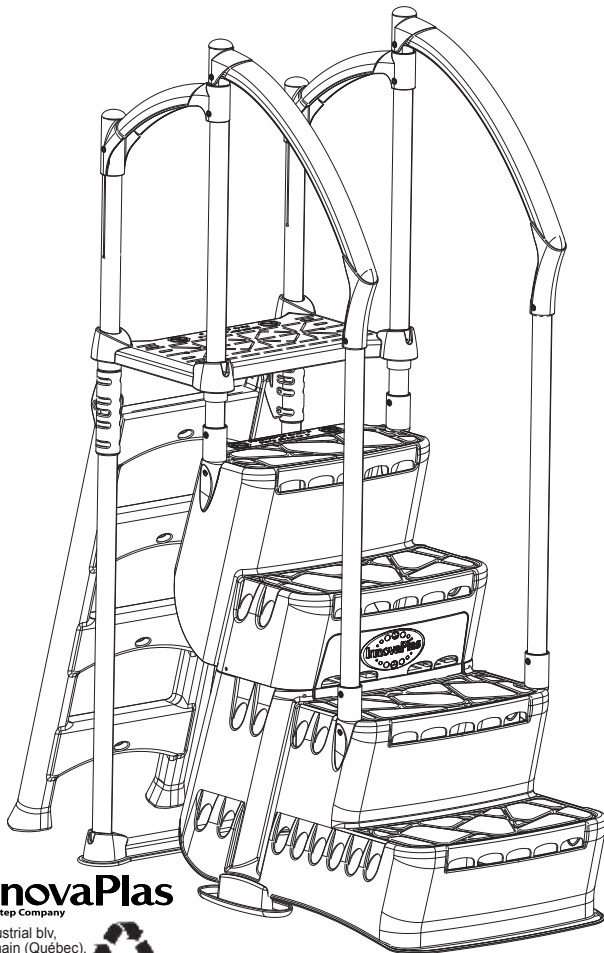
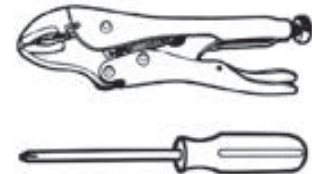
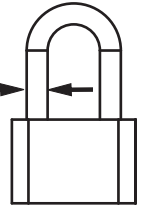
⚠ WARNING

- ◆ Do not dive or jump from step or ladder.
- ◆ Use BATTERY operated tools to avoid electric shocks.
- ◆ Install step on flat surface, following the manufacturers instructions.
- ◆ Remove step from pool during freezing climate season.
- ◆ Manufacturer cannot be held responsible for injuries caused by abusive use of product.
- ◆ Ask your city about specific regulations that apply to your above-ground pool and ladder.

Required tools and supplies (not included)

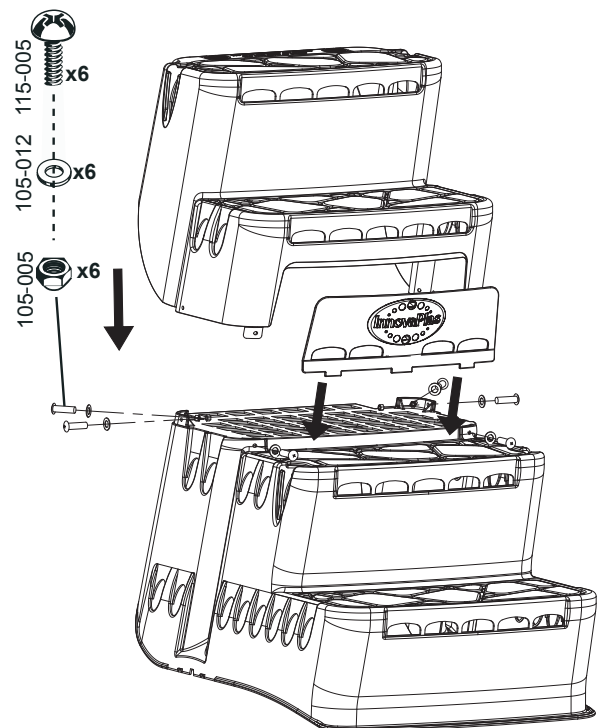
A weather resistant padlock is recommended.

Maximum functional width is 1/4 inch.



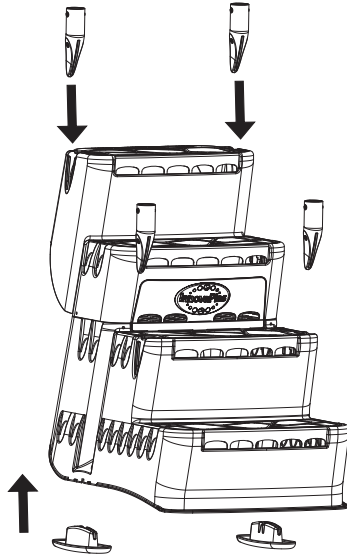
A

- 1) Assemble the two main modules with the six screws, nuts and washers provided.
- 2) Snap the door between the top and bottom modules within the slots provided.



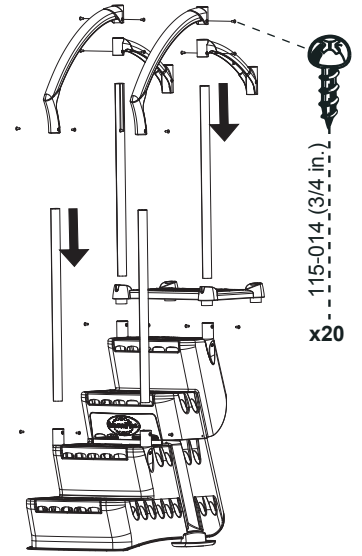
B

- 1) Snap the four post ends into the step making sure that the cylindrical part is vertical and that the ends are placed and fitted properly in their respective housings.
- 2) Snap the 2 feet to the bottom of the step.



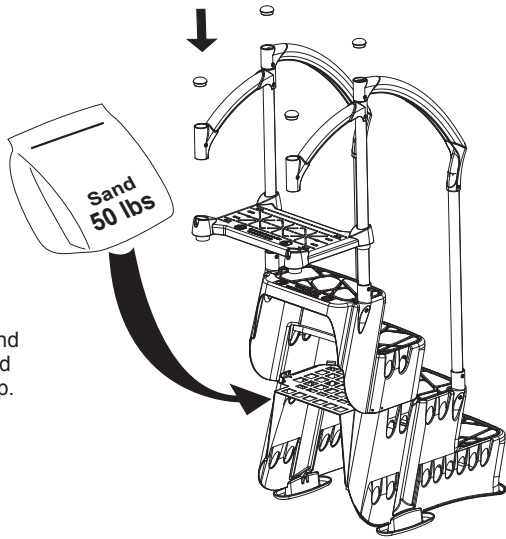
C

- 1) Insert the four posts into the post ends and secure them in place with the screws provided.
- 2) Insert the platform over the 2 rear posts.
- 3) Insert the small and large handrails as illustrated. Secure the large handrails with the screws provided. Place the small handrails at the base of the large and secure them in place with the screws provided.



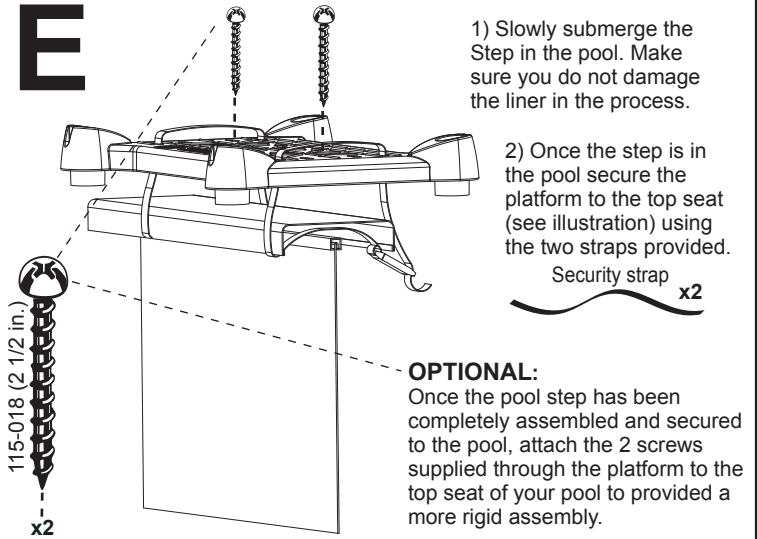
D

- 1) Install the four post covers.
- 2) Insert a bag of sand onto surface provided at the rear of the step.



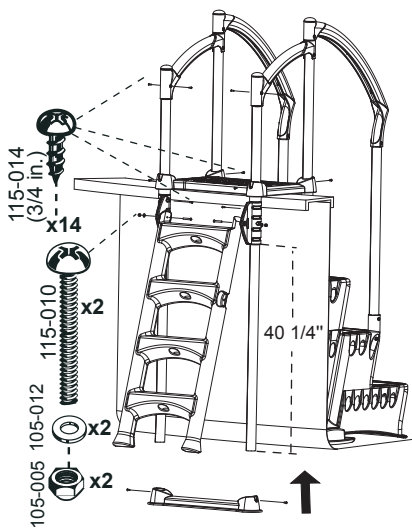
E

- 1) Slowly submerge the Step in the pool. Make sure you do not damage the liner in the process.
- 2) Once the step is in the pool secure the platform to the top seat (see illustration) using the two straps provided. Security strap x2

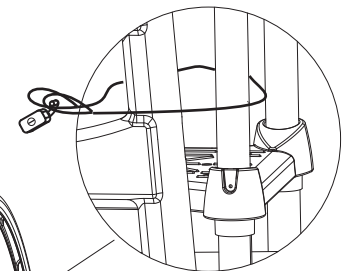


F

- 1) Assemble the two posts through the platform and small handrails. Slide the pivot blocks onto the posts and secure at 40 1/4 inches from the bottom of the posts with screws provided.
- 2) Attach the ladder to the pivot blocks with the bolts, washers and nuts provided.
- 3) Finish the assembly by securing the platform and ladder base to the posts with the screws provided.



G



x1
CABLE LOCK
***PADLOCK REQUIRED

⚠ WARNING

SWING THE LADDER UP AND LOCK IN PLACE WHEN THE POOL IS NOT IN USE TO PREVENT DROWNING AND UNAUTHORIZED ENTRY.

InnovaPlas
The pool Step Company

250 industrial blv,
St-Germain (Québec),
Canada J0C1K0

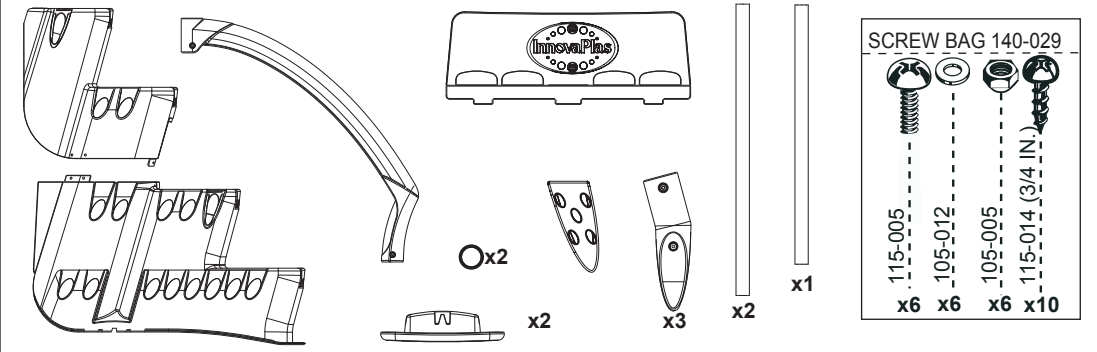


MANUFACTURER WARRANTY

1 Year on the Classic ladder and Biltmor.
1 year on the hardware.

BILTMOR 5015

Contents of the Biltmor box SKU # 5015



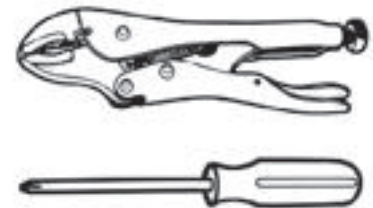
Sand (not included)



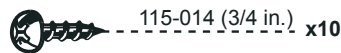
⚠ WARNING

- ◆ Do not dive or jump from step or ladder.
- ◆ Use BATTERY operated tools to avoid electric shocks.
- ◆ Install step on flat surface, following the manufacturers instructions.
- ◆ Remove step from pool during freezing climate season.
- ◆ Manufacturer cannot be held responsible for injuries caused by abusive use of product.
- ◆ Ask your city about specific regulations that apply to your above-ground pool and ladder.

Tools required (not included)



A



- 1) Assemble the two main modules with the six screws, nuts and washers provided.
- 2) Snap the door between the top and bottom module within the slots provided.
- 3) Snap the 3 post ends into the step making sure that the cylindrical part is vertical and that the ends are fitted properly in their respective housings.
- 4) Snap the filler cap into the bottom step as illustrated.
- 5) Snap the two feet onto the bottom of the step.
- 6) Insert the 2 large posts and the 35 inch post into the post ends and secure them in place with the screws provided.
- 7) Install the post cover on the handrail. Insert the large handrail on the 2 posts and secure it in place with the screws provided.
- 8) Assemble with your compatible InnovaPlas ladder.

