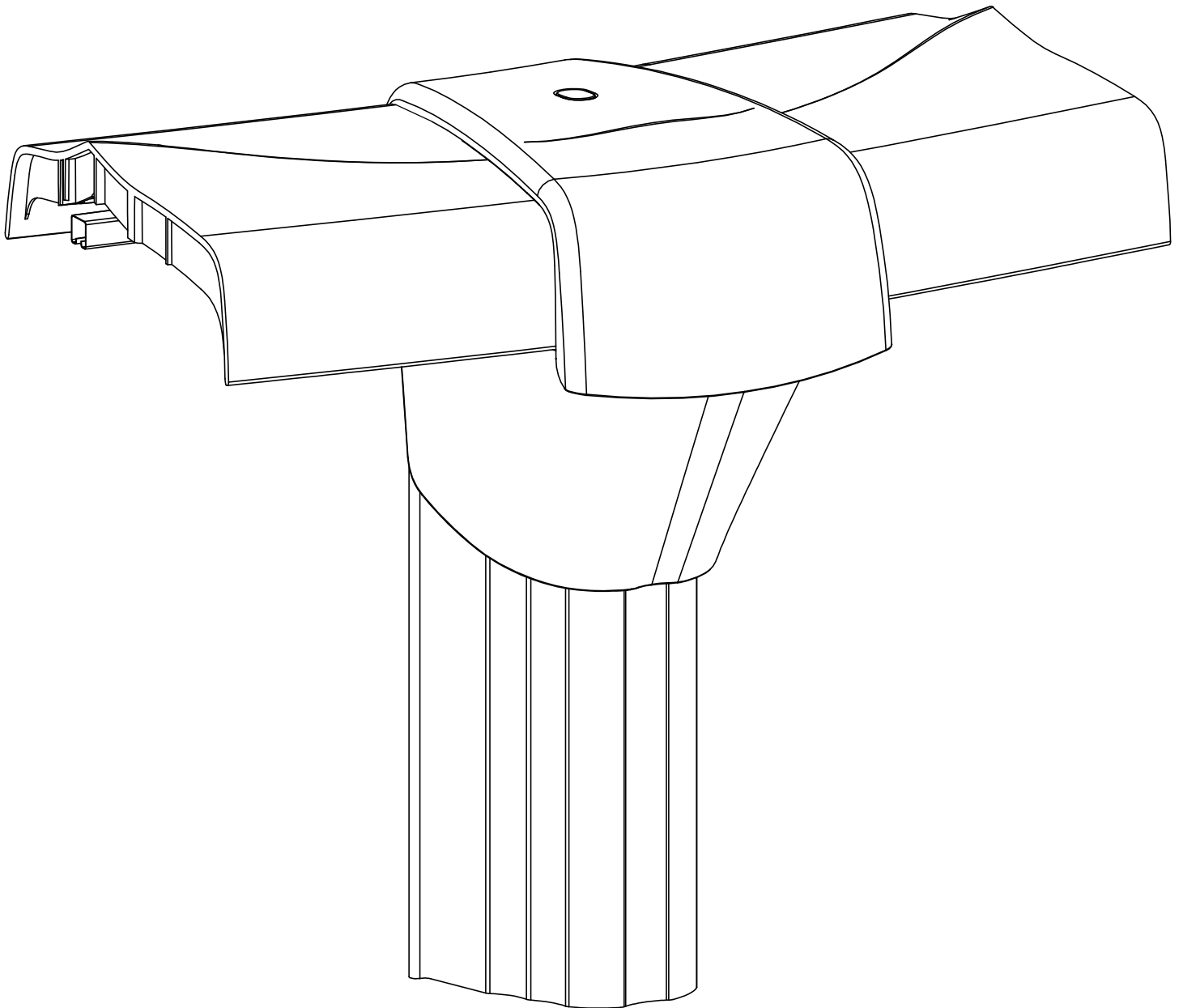
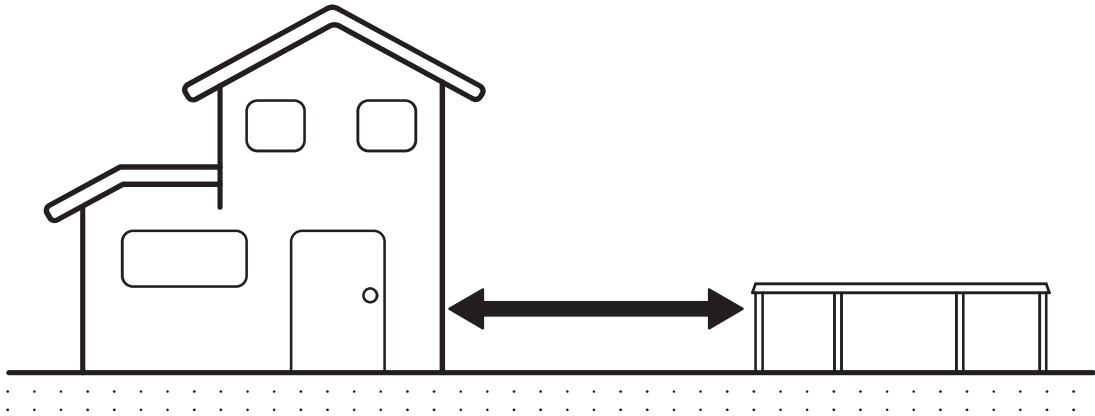


ROUND POOL

PREMIUM model



LOCATION



A triangular warning sign with a black exclamation mark inside, located at the top left corner of the main diagram area.

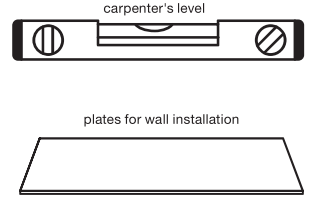
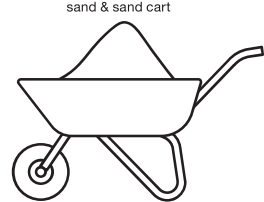
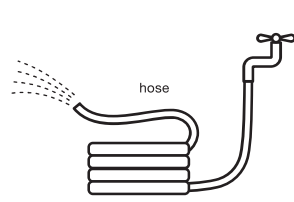
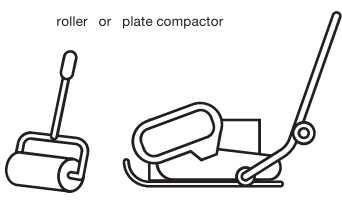
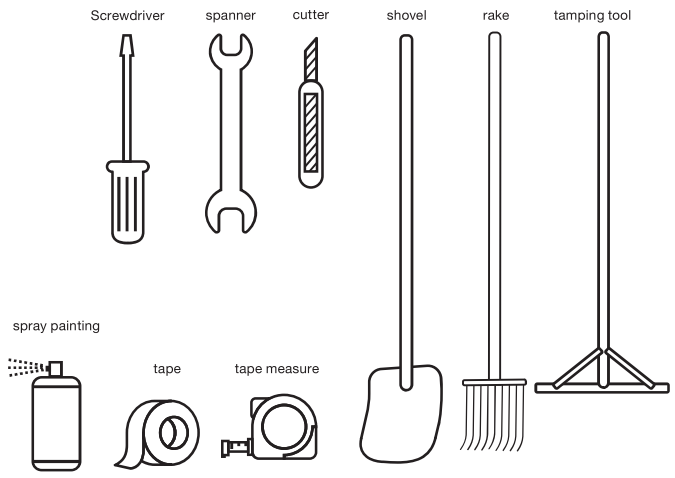
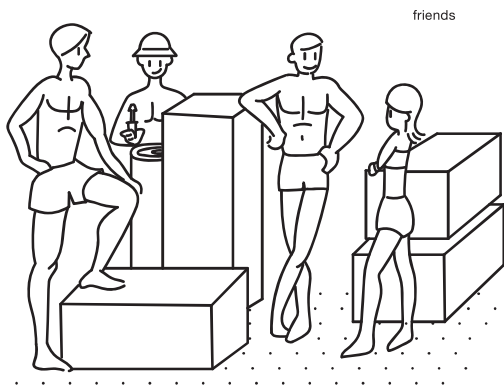
A circular icon containing a checkmark, positioned above the top-right diagram.

A circular icon containing a cross (X), positioned above the middle-right diagram.

The main diagram area is enclosed in a rectangular border and contains six sub-diagrams illustrating correct and incorrect placement of a garage relative to a house. A horizontal dashed line separates the top two rows of diagrams.

- Top-left:** A garage is placed on a level ground surface, directly adjacent to the house's foundation.
- Top-right:** A garage is placed on a level ground surface, but a slope of dotted ground rises up to the right side of the garage.
- Middle-left:** A garage is placed on a raised platform of dotted ground, with a slope of dotted ground rising up to the left side of the platform.
- Middle-right:** A garage is placed on a level ground surface, with a slope of dotted ground rising up to the right side of the garage.
- Bottom-left:** A garage is placed on a level ground surface, with a tree to its left.
- Bottom-right:** A garage is placed on a level ground surface, with a utility pole and power lines to its left.

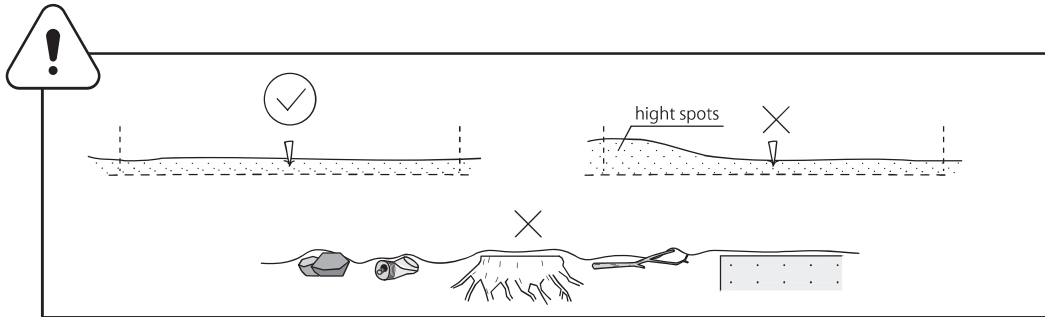
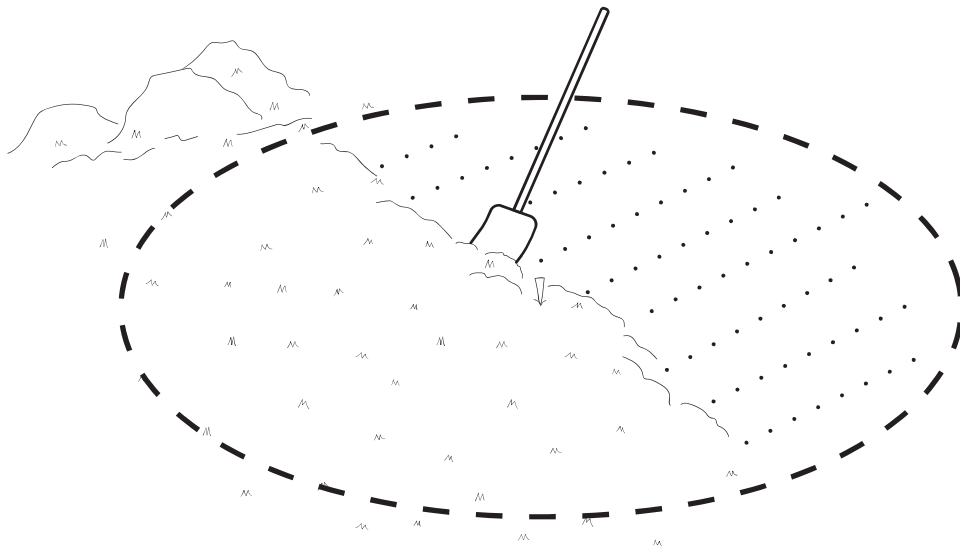
TOOLS



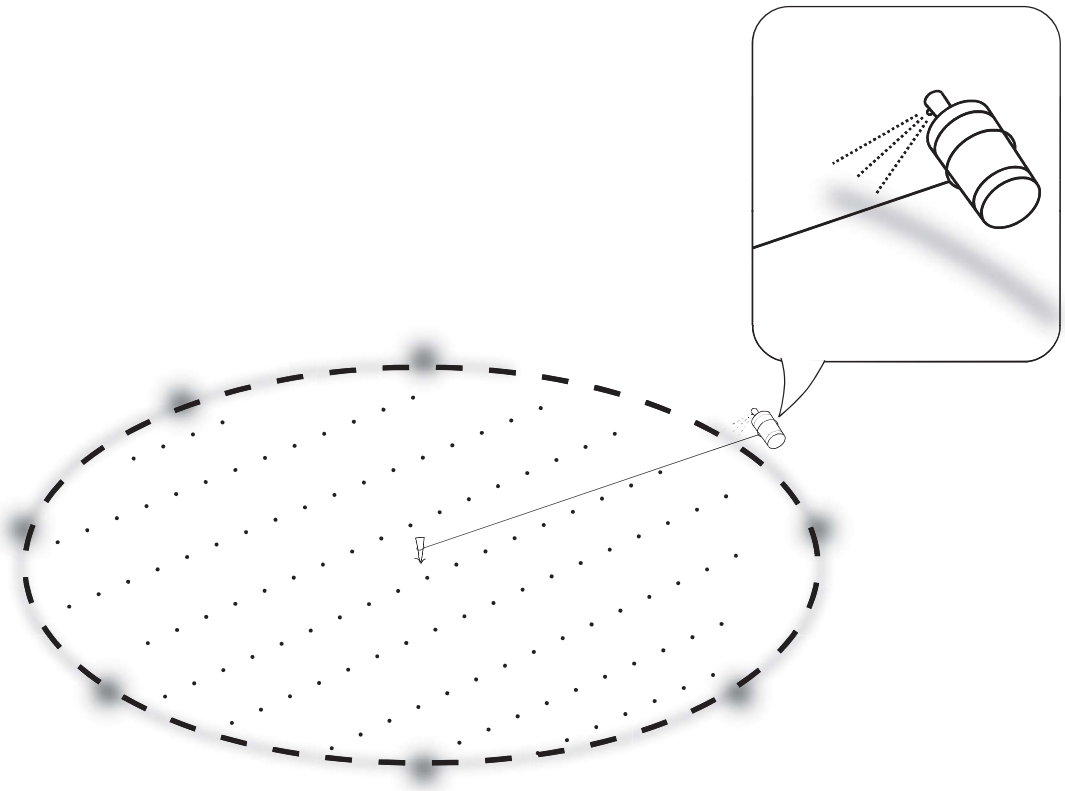
SIZE

POOL SIZE	Diameter			Wall Length			Top Sheet
	mm	ft	in.	mm	ft	in.	Q'ty
12	3,611	11	10 2/8	11,346	37	2 5/8	10
15	4,572	15	0	14,363	47	1 4/8	10
18	5,486	18	0	17,236	56	6 5/8	12
21	6,401	21	0	20,109	65	11 5/8	14
24	7,315	24	0	22,981	75	4 6/8	16
27	8,230	27	0	25,854	84	9 7/8	18
30	9,144	30	0	28,727	94	3	20
33	10,058	33	0	31,599	103	83 1/8	22

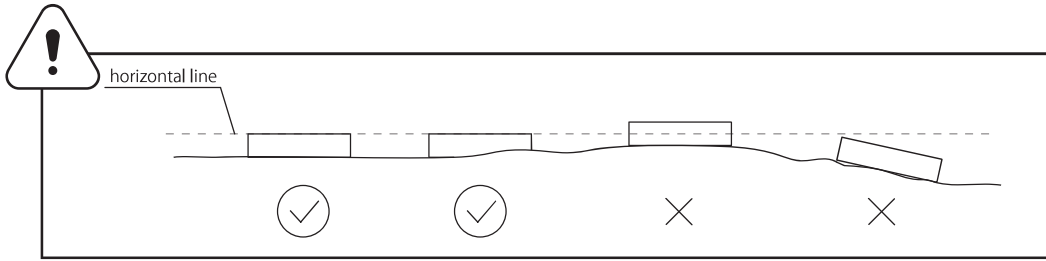
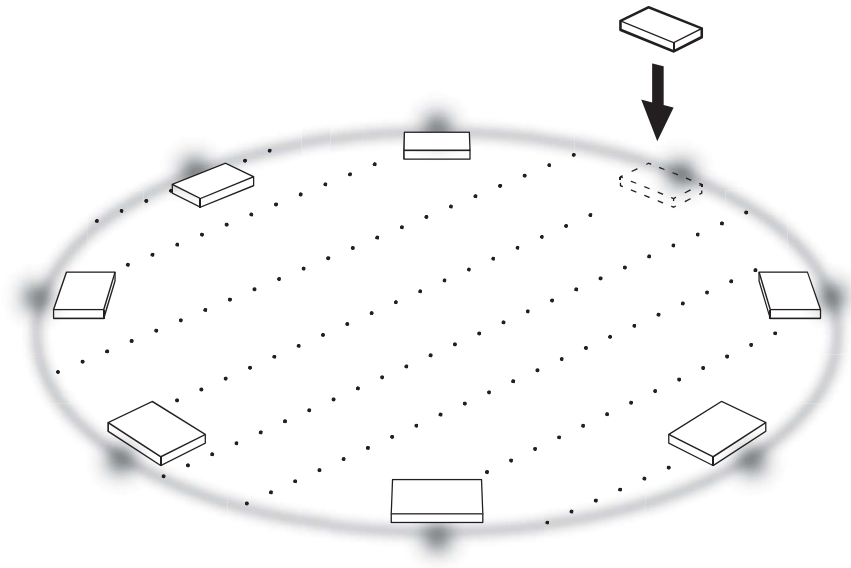
1



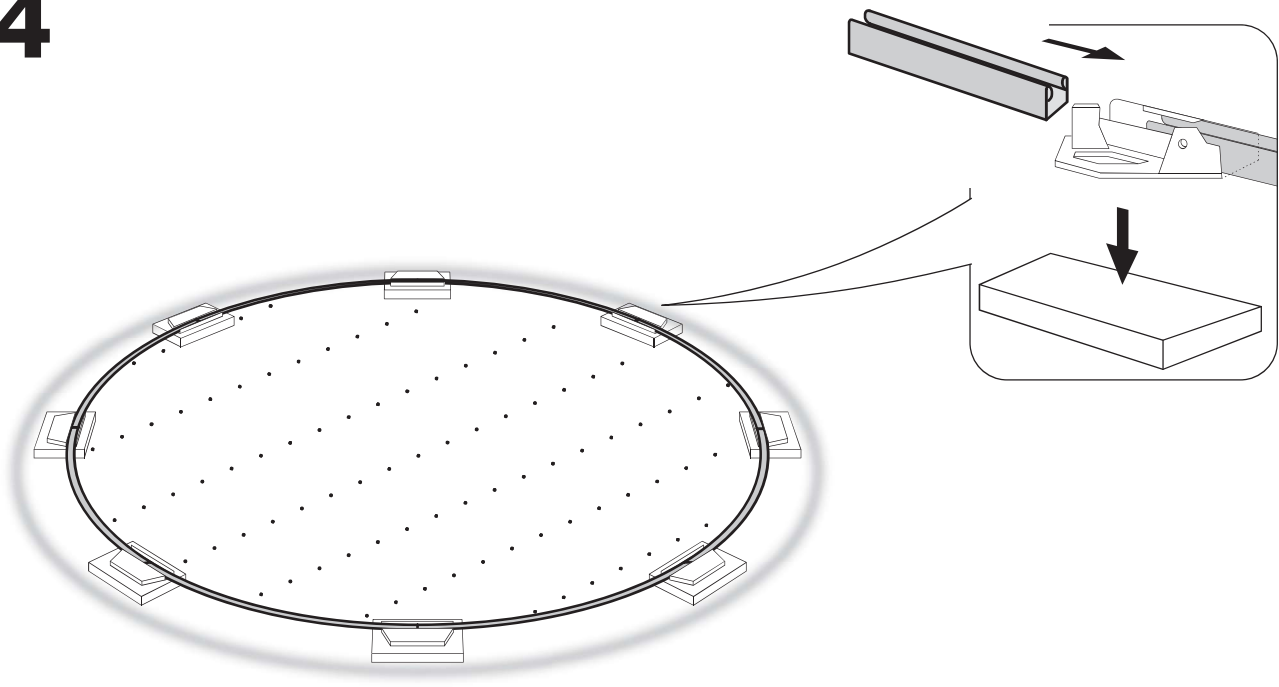
2



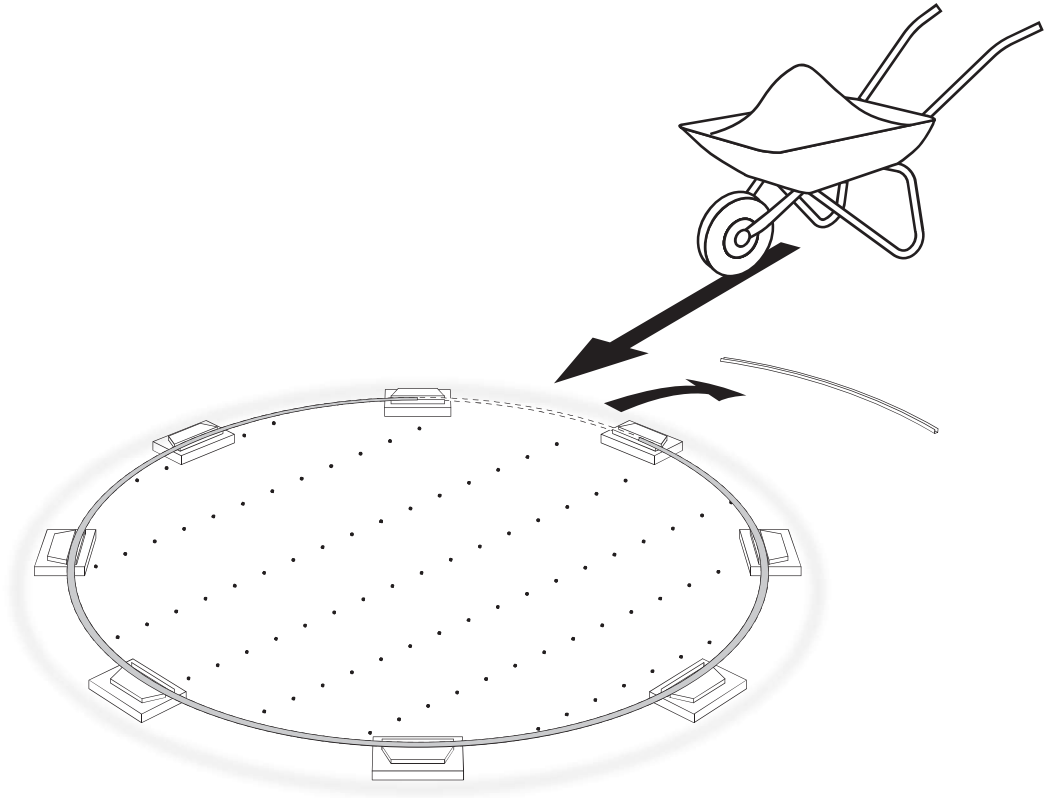
3



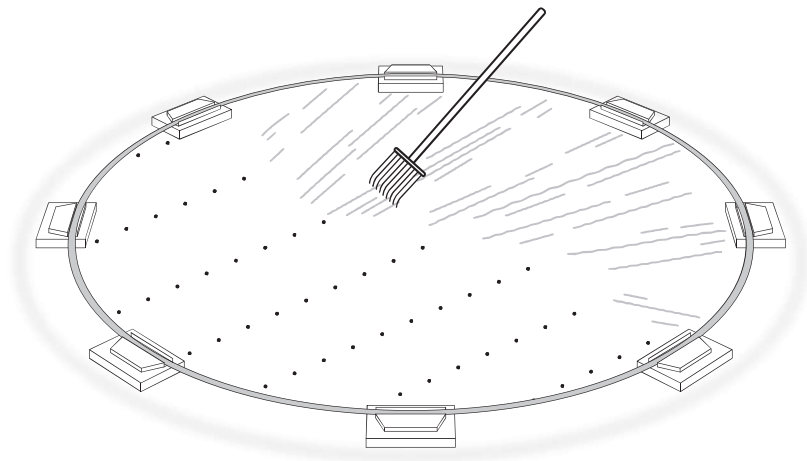
4



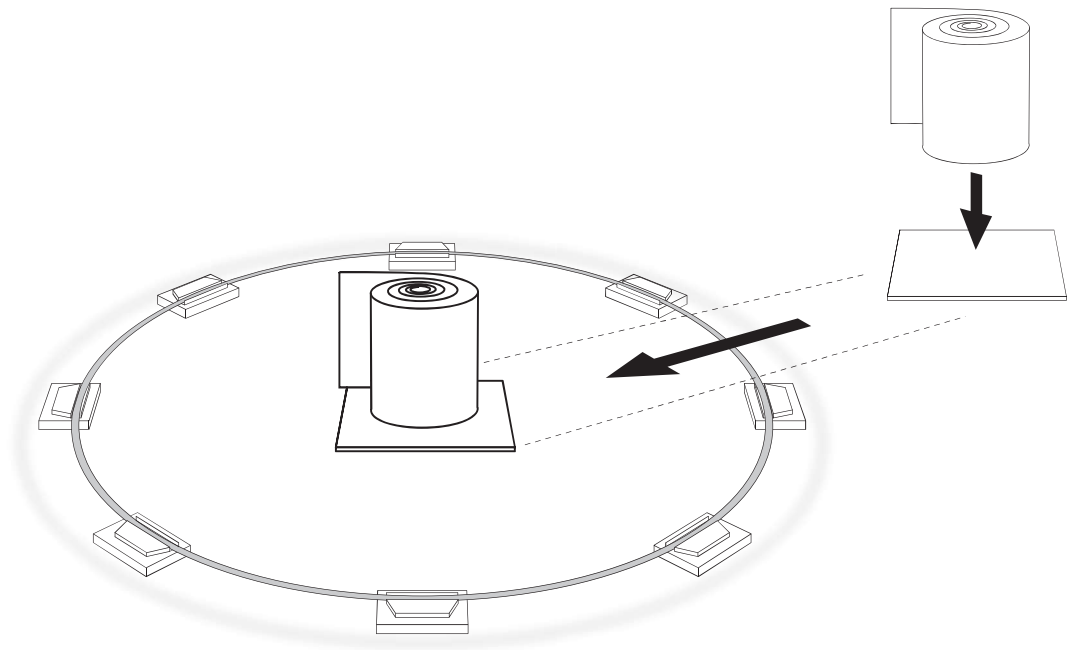
5



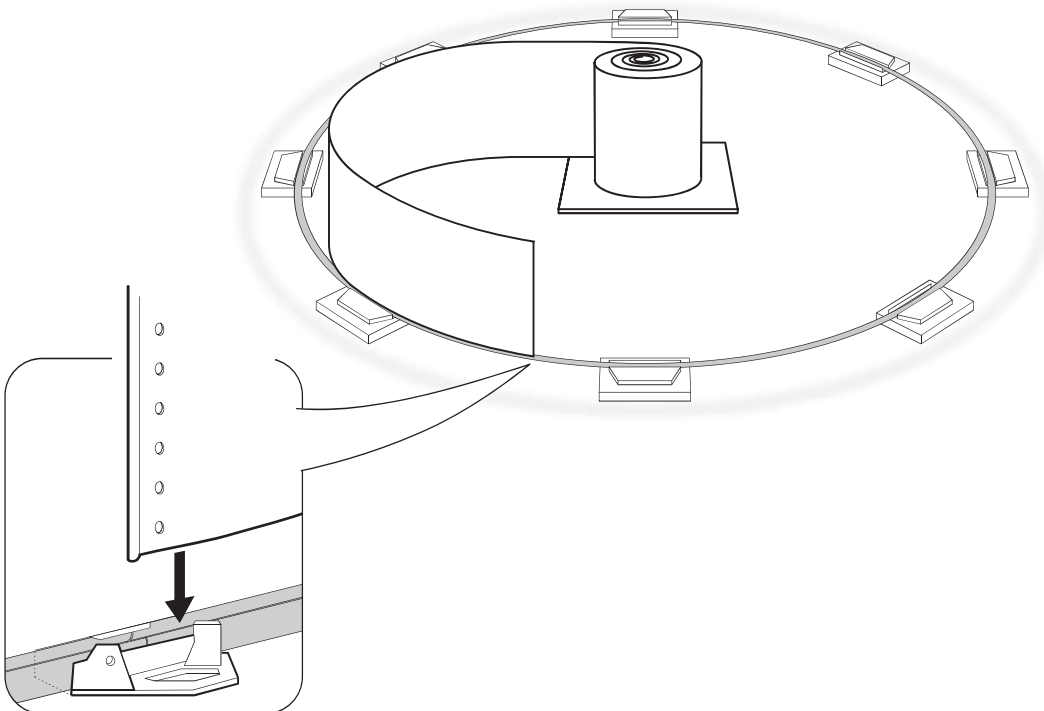
6



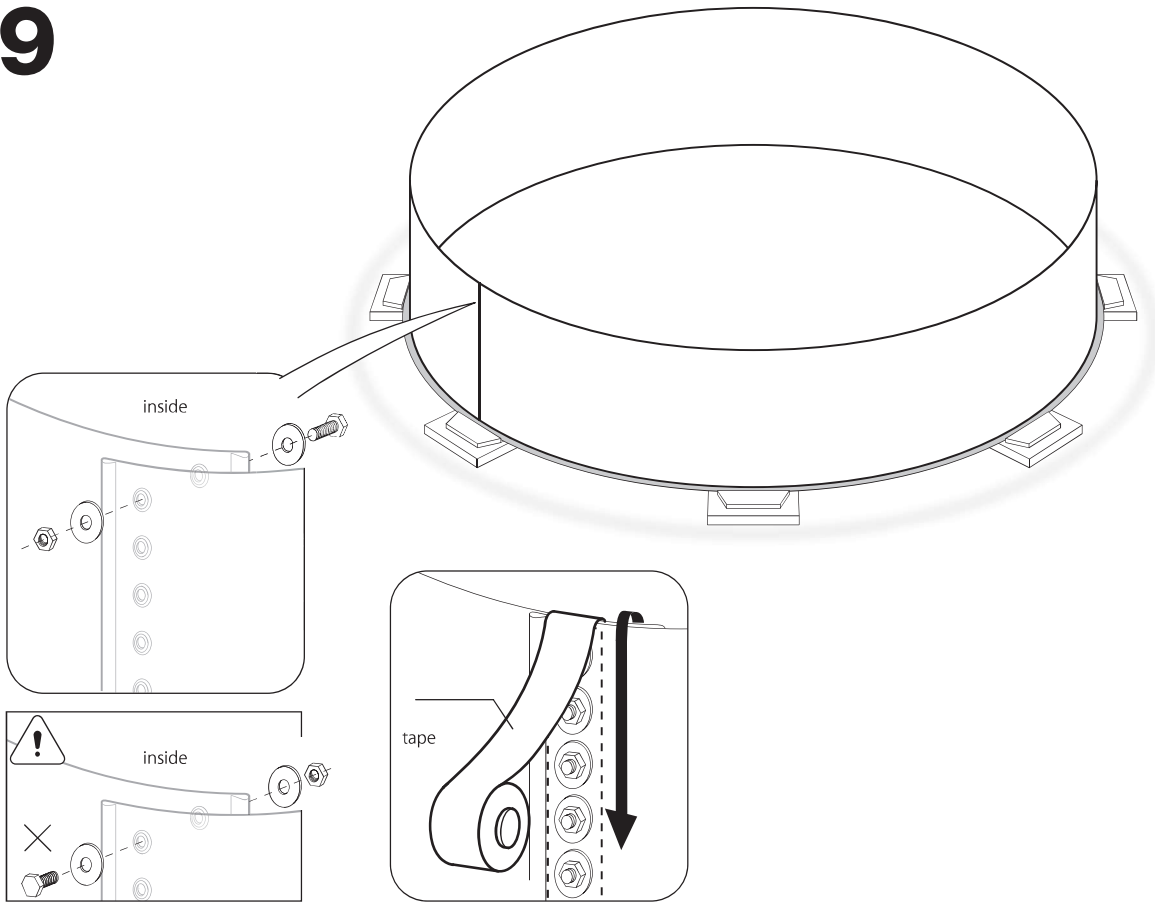
7



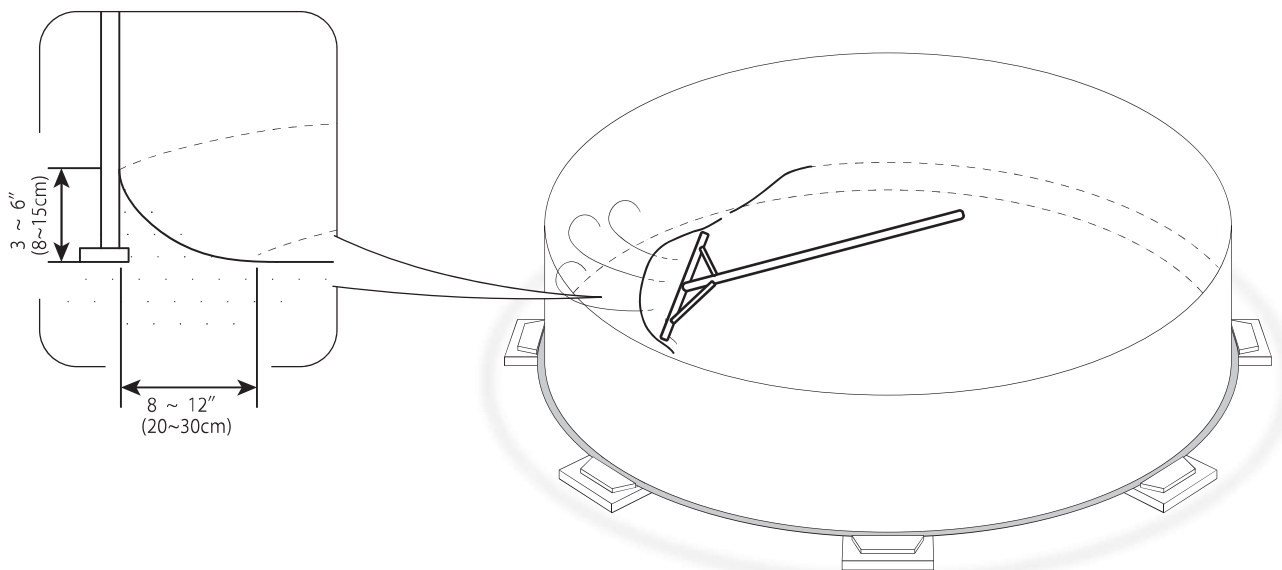
8



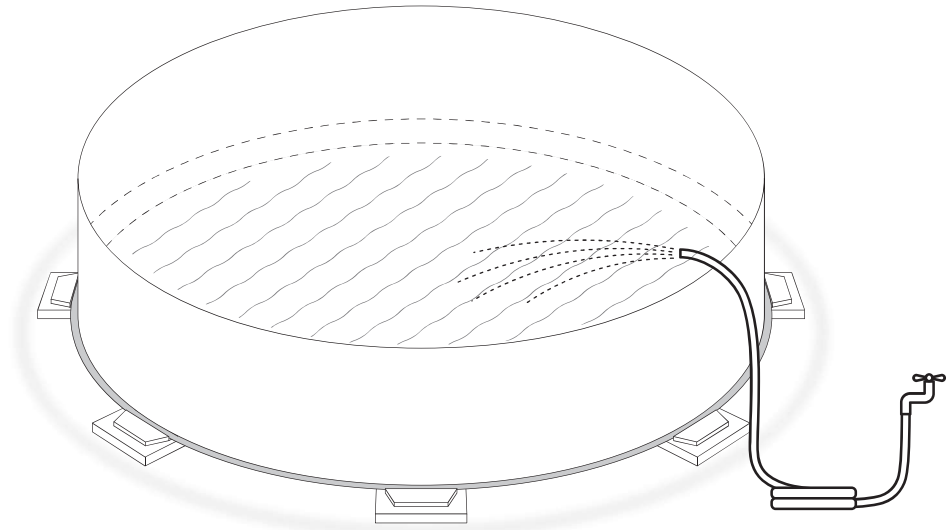
9



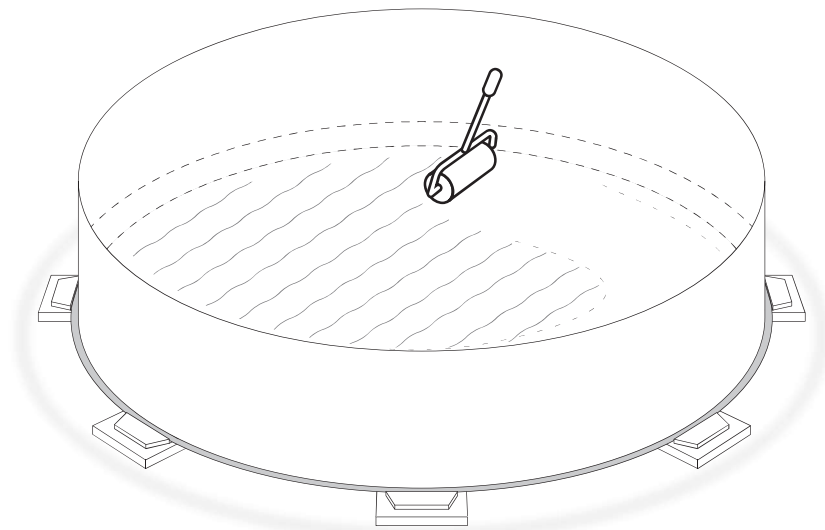
10



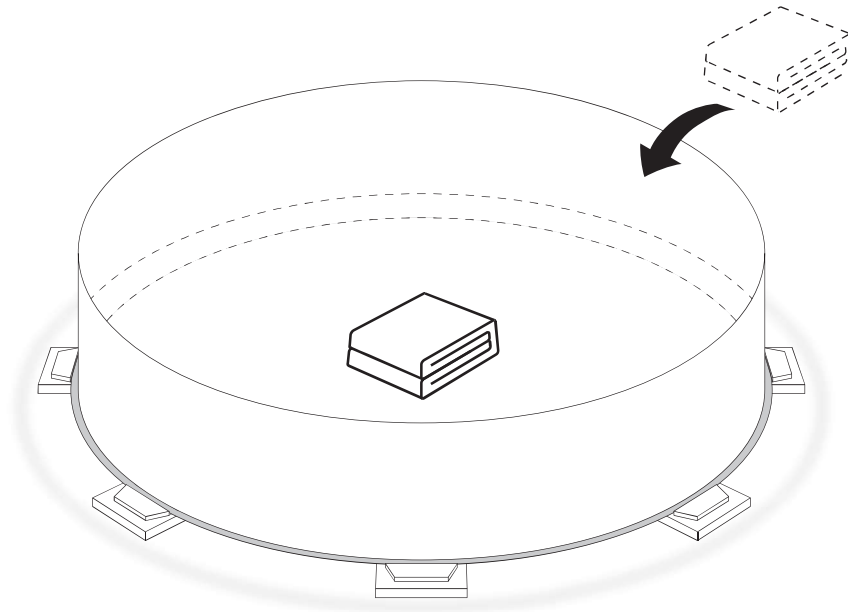
11



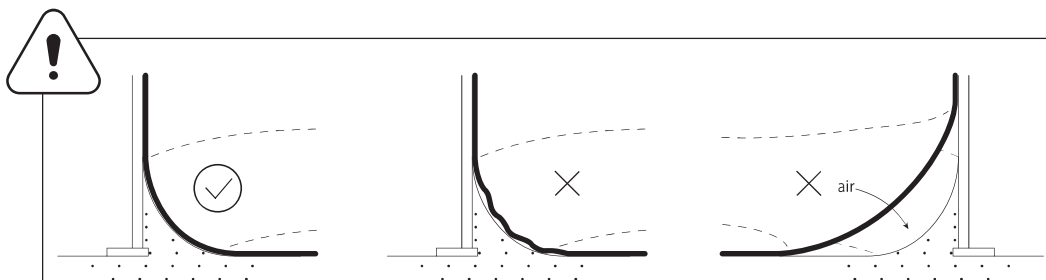
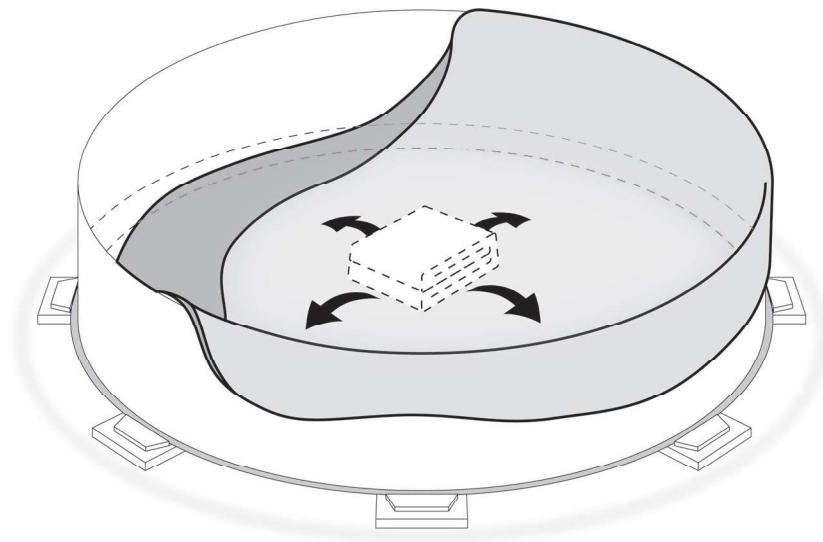
12



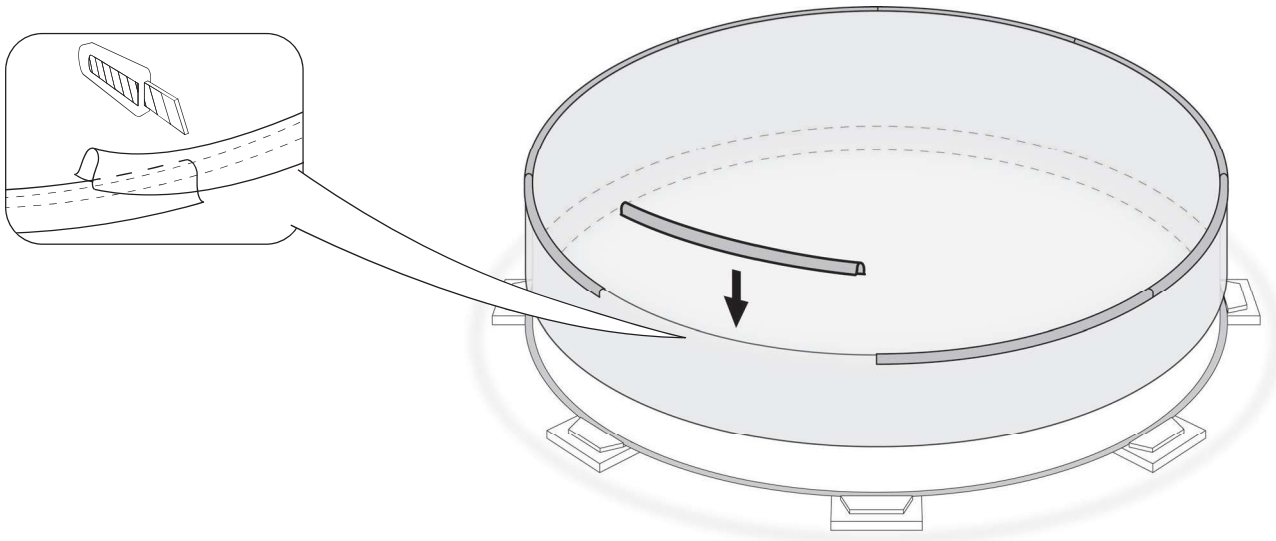
13



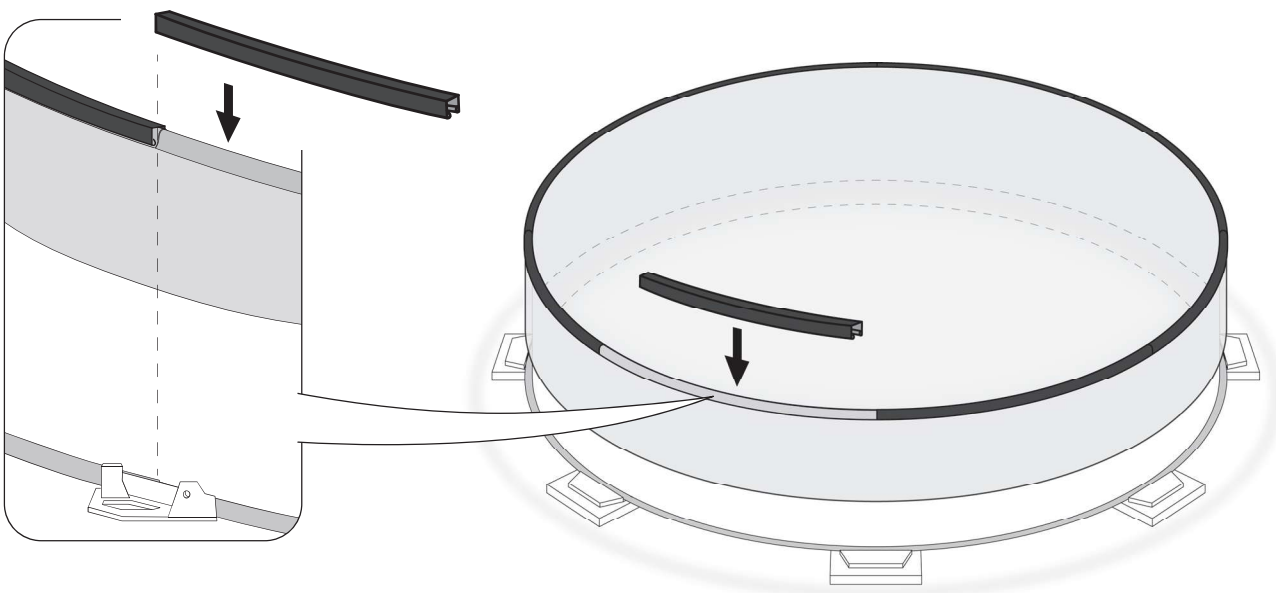
14



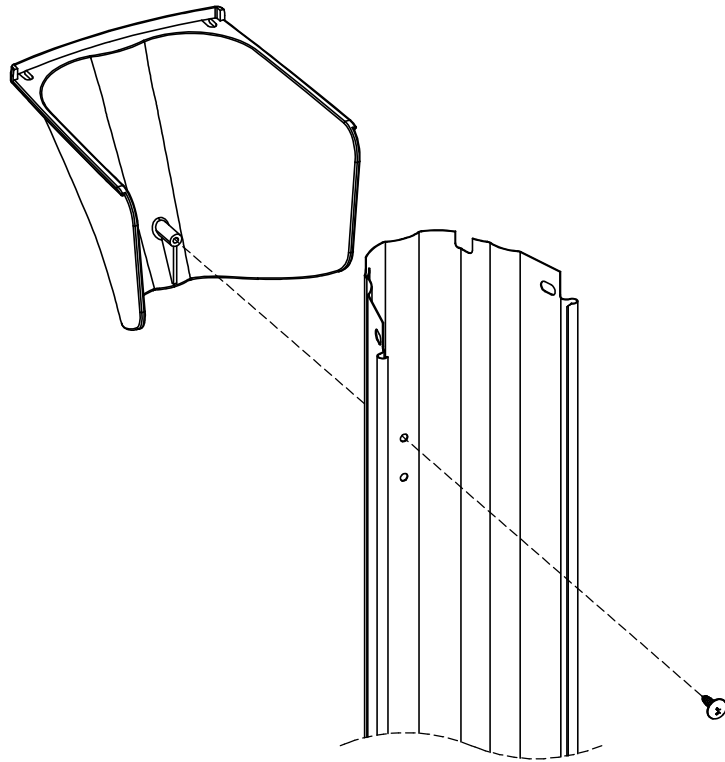
15



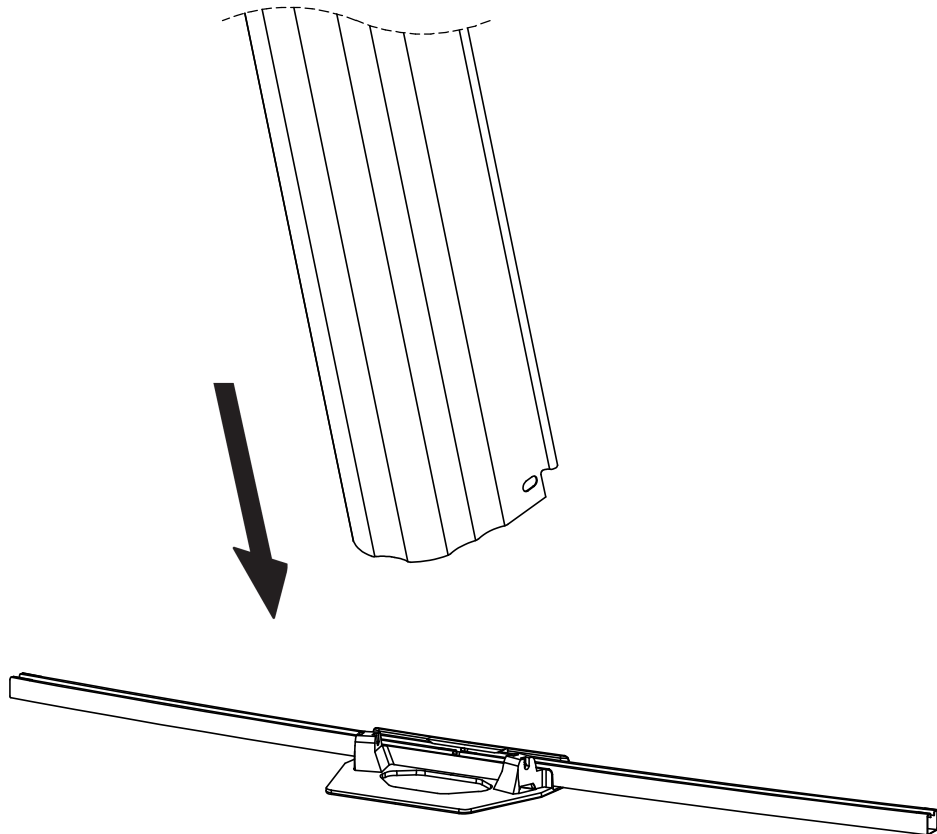
16



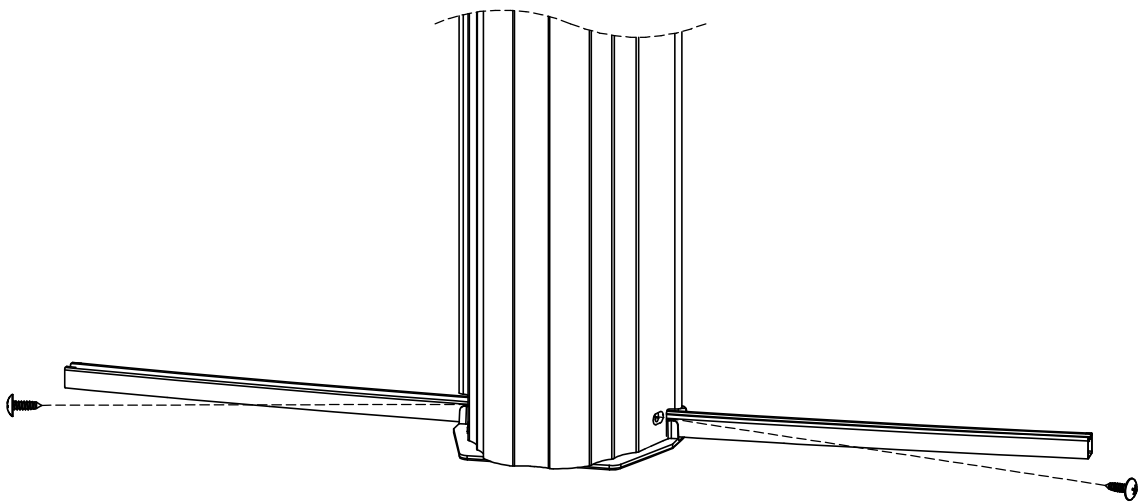
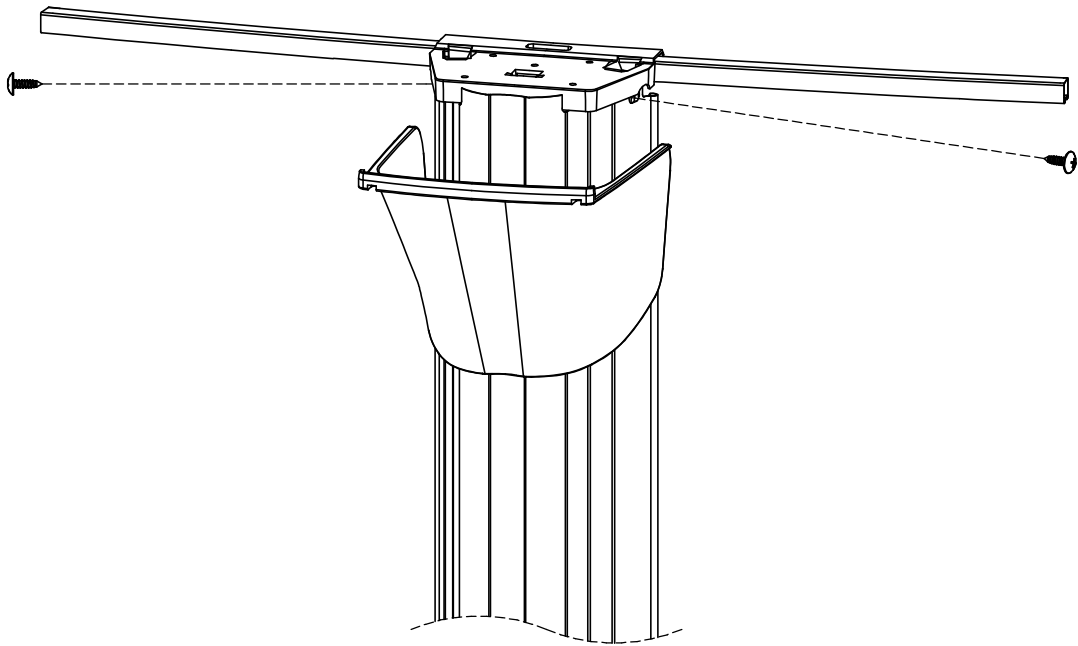
17



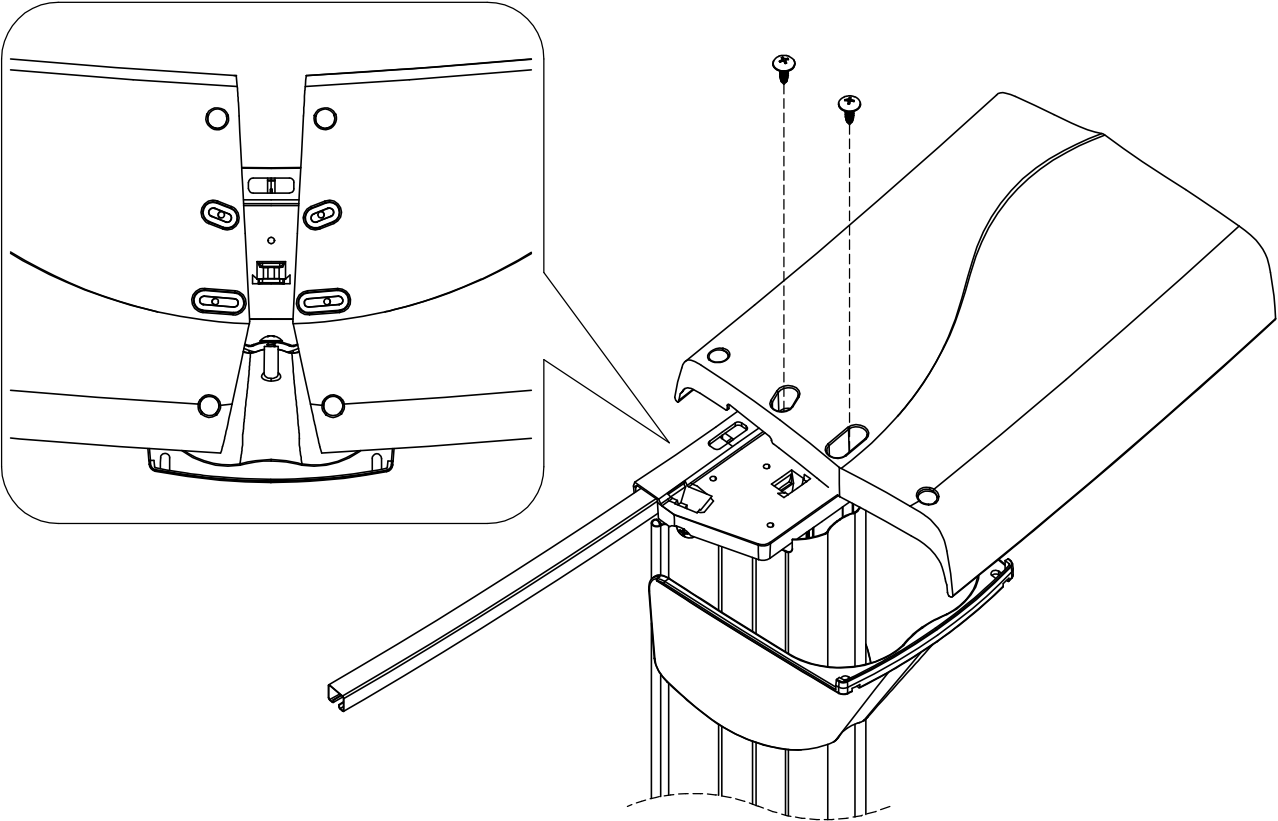
18



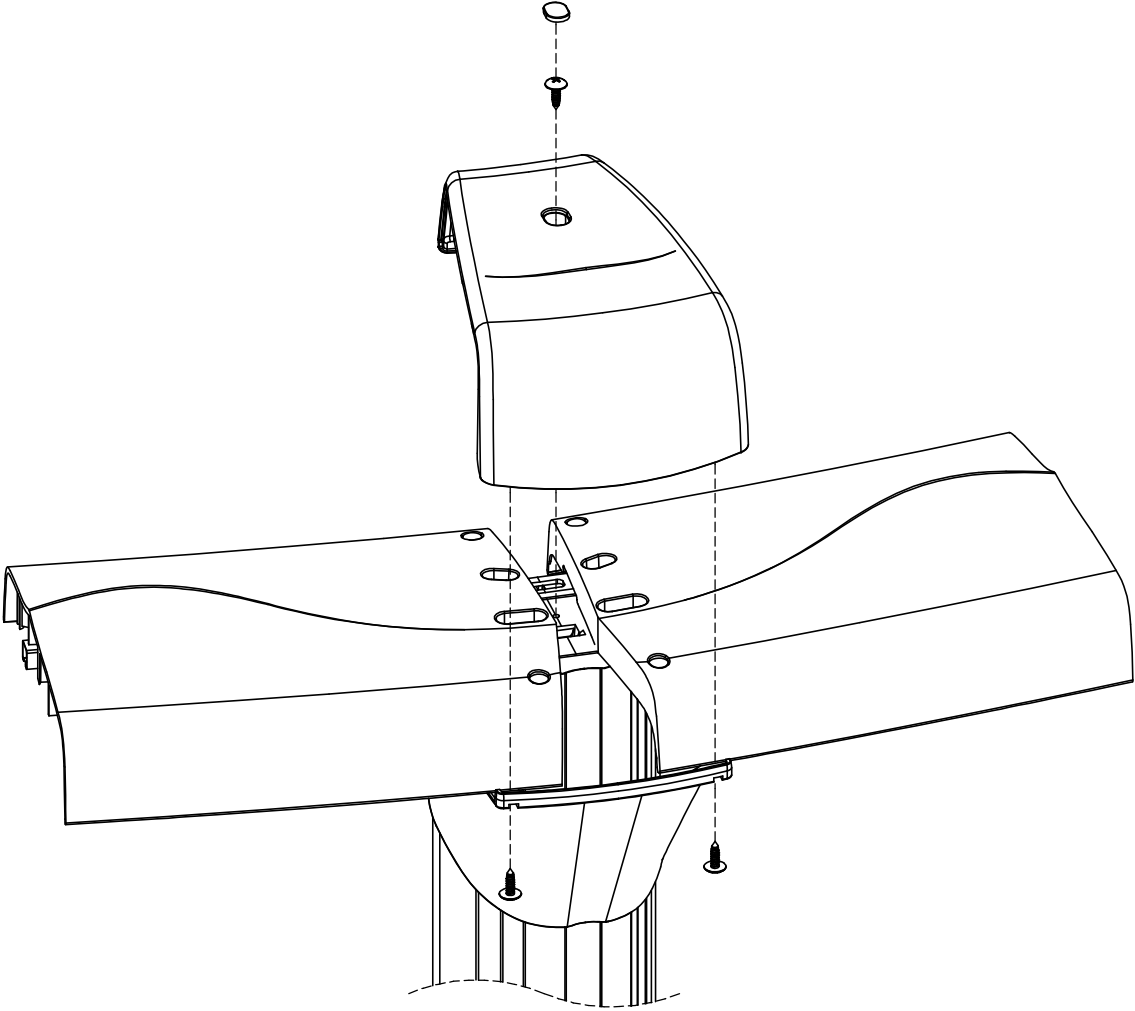
19



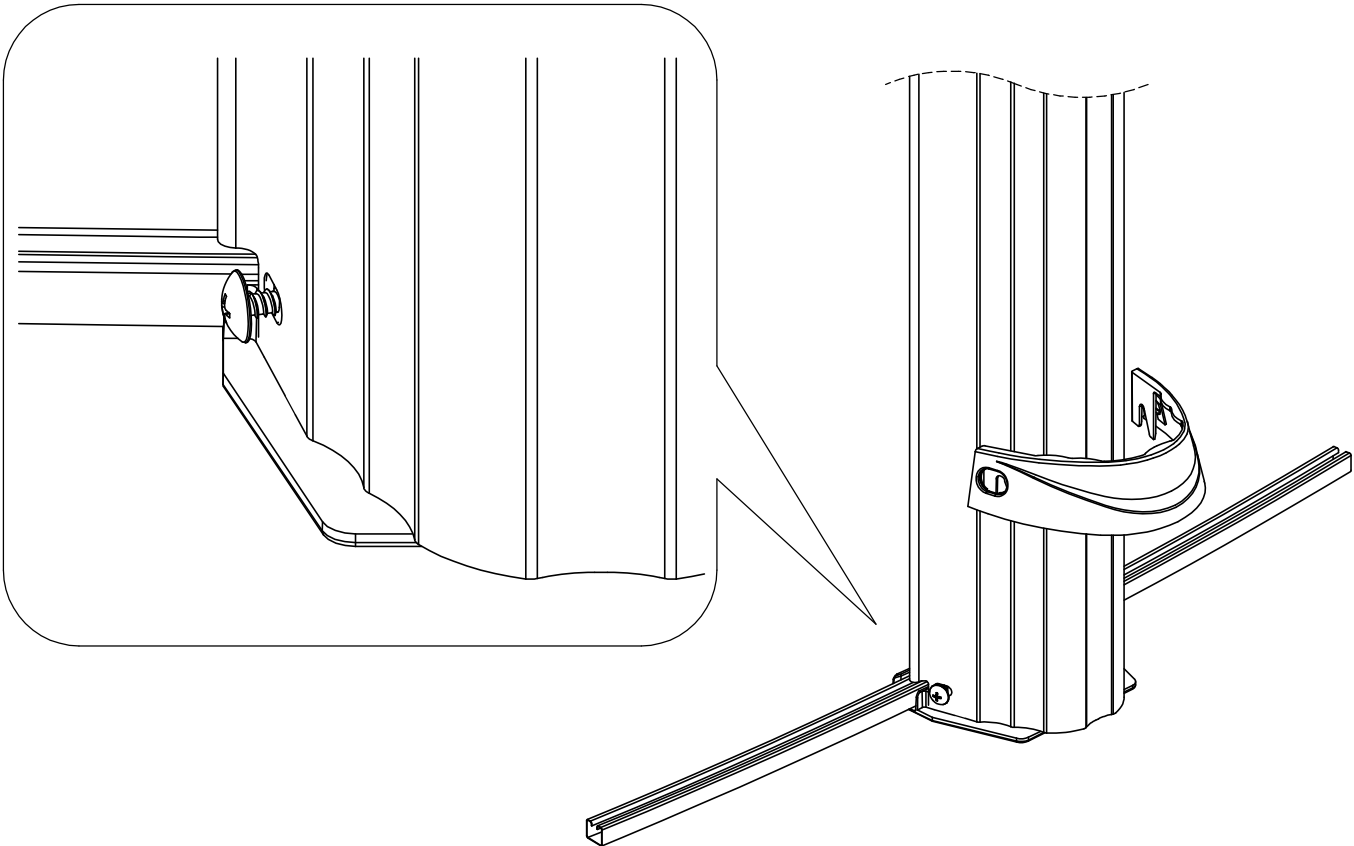
20



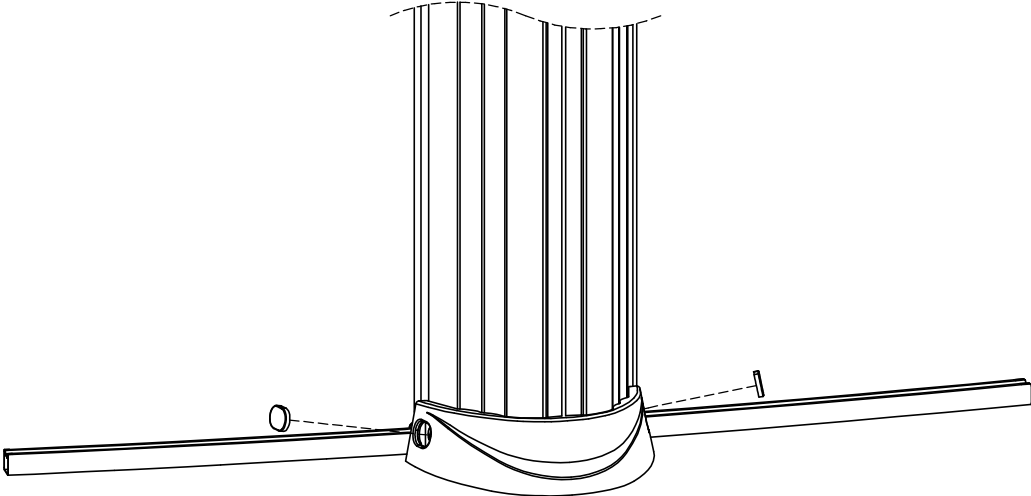
21



22



23



Safety Rules

