

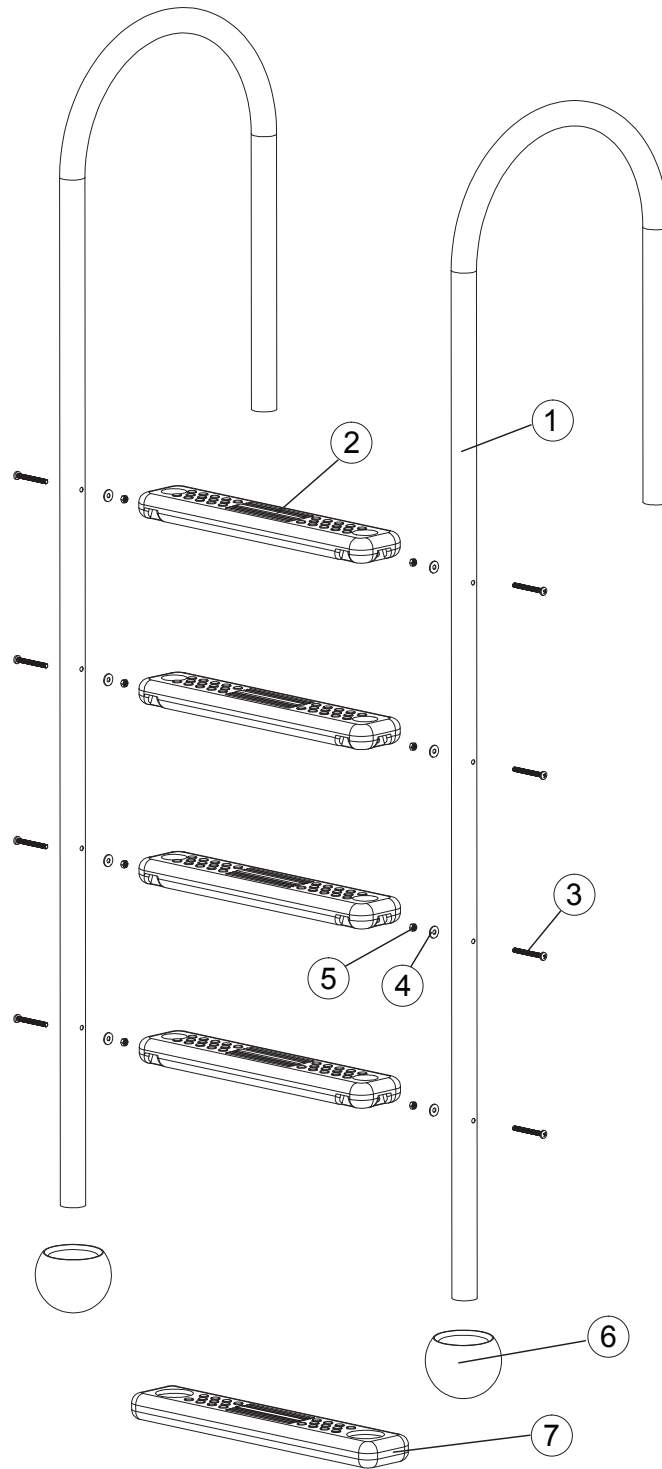


**AQUA SELECT® STAINLESS STEEL
IN POOL LADDER WITH
RESIN STEPS**

MODEL 832406KW

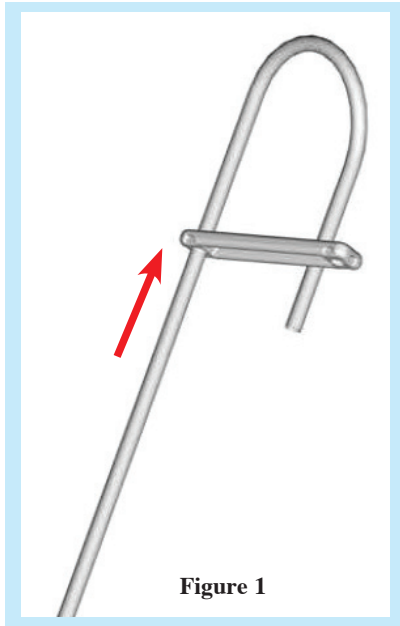


AQUA SELECT® STAINLESS STEEL LADDER WITH RESIN STEPS PARTS



PART #	MODEL #	DESCRIPTION	QTY
1	BS SSRAIL	Stainless Steel Handrail	2
2	BS MIDSTEP	Mid-Step	4
3	BS 698HDWRE	Hardware	1
4	BS 698HDWRE	Hardware	1
5	BS 698HDWRE	Hardware	1
6	BS STPBALL	Step Ball	2
7	BS BOTSTEP	Bottom Step	1

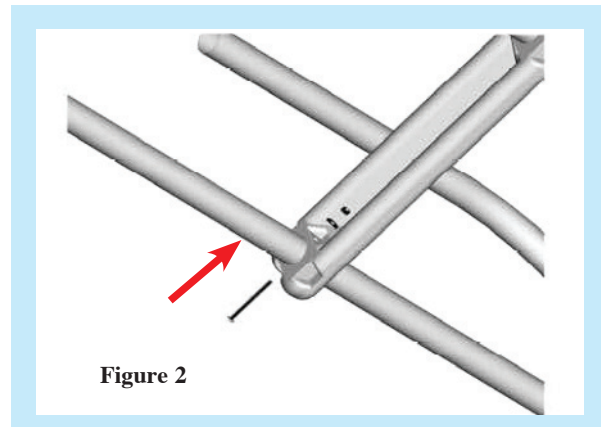
STEP 1



- Slide one of the four ladder steps (BS MIDSTEP) onto one of the stainless steel handrails (BS SSRAIL). Make sure that the step treads are facing up. (See figure 1)
- If you have any difficulty sliding the step onto the post, apply a small amount of lubricant to the posts.

STEP 2

- Slide the second handrail through the hole on the opposite side of the step.
- Align the holes in the step with the top set of holes on the handrail.
- Secure step to handrail with a bolt and nut out of hardware bag (BS 698HDWR). Make sure that the head of the bolt is located on the outside of the step. (See figure 2)

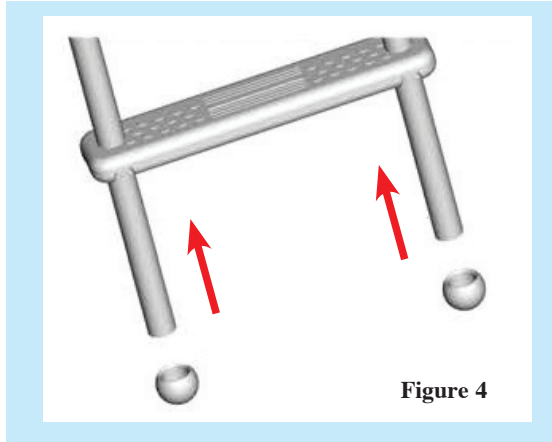


STEP 3



- Slide the remaining 3 steps onto the handrails and secure them with nuts and bolts. (See figure 3)

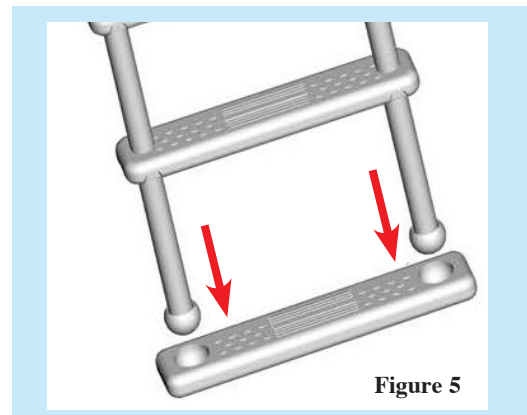
STEP 4



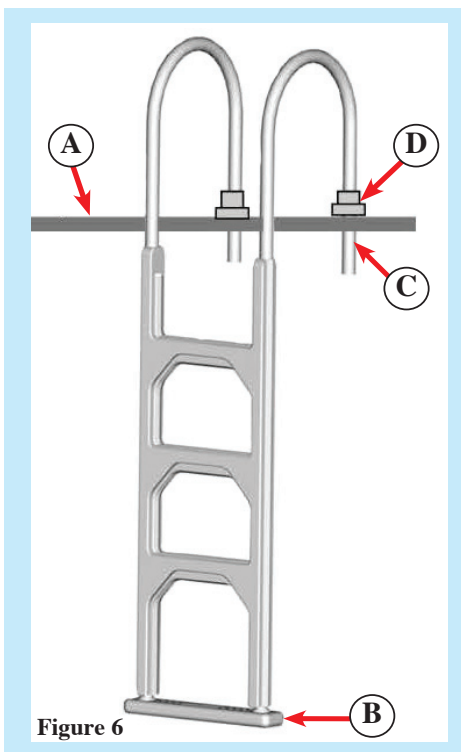
- Slide the pivot balls (BS STPBALL) onto the bottom of each handrail as shown in figure 4.
- Make sure both pivot balls are securely fastened to each handrail.

STEP 5

- Place the bottom step (BS BOTSTEP) on the floor facing up. Hold the ladder assembly straight up and align the pivot balls with the receivers on the bottom step.
- Push down firmly until both balls are inserted into the step. See figure 5.



STEP 6



- Place ladder in your desired position on deck (A). Swivel step if needed to align with pool floor. Make sure the base step rests flat against the pool floor. (B)
- Mark the location of the handrails on the deck with a pencil. Using a 1 ½" hole saw, drill one hole for each hand rail through the deck surface. (C) This will ensure that the deck will now support the ladder.
- Secure hand rails to the deck using deck flanges (D). (FLANGES ARE SOLD SEPERATELY)
- Slide the flanges over each handrail. Insert the handrails through the holes in the deck. Secure the flanges to the deck with screws. Secure the flange to the handrail by tightening down the screw in the flange.

LADDER MATS

- The use of a ladder mat is strongly recommended with any pool ladder. Ladder mats prevent your pool liner from being damaged by slight movements of your pool ladder.



USE MODEL 832116
Aqua Select® 9" x 24" Ladder Mat

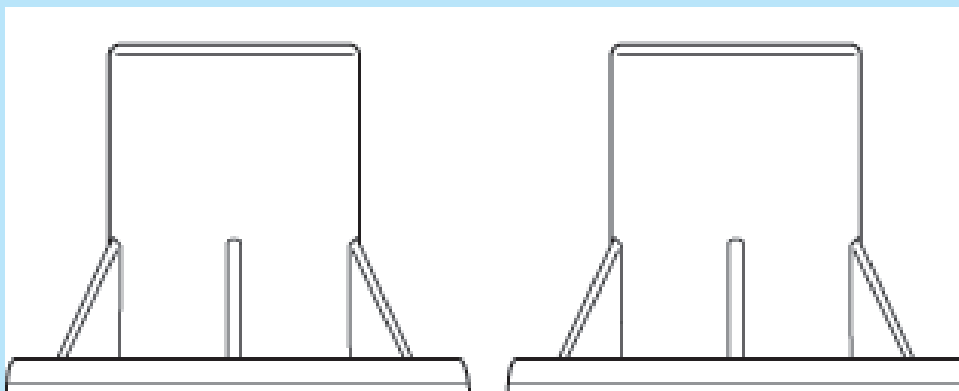
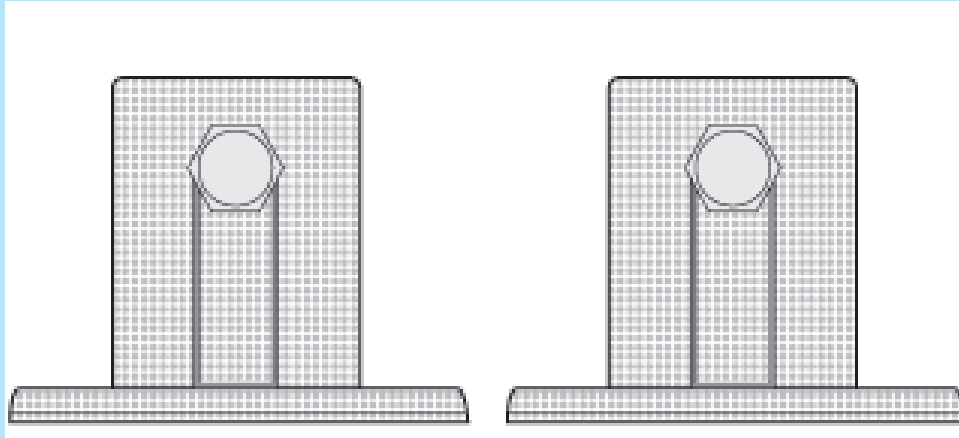
HOW TO INSTALL YOUR LADDER MAT

1. Remove ladder mat from packaging
2. Place ladder mat onto the bottom of the pool with the smooth side facing down towards the liner
3. Place fully assembled ladder on top of the ladder mat. Make sure the ladder is centered on the ladder mat
4. Properly secure ladder to your pool

**LADDER MATS ARE SOLD SEPARATELY
FROM YOUR POOL LADDER**

LADDER FLANGES

- Ladder Flanges are used to secure your ladder to your deck.



**FLANGES ARE SOLD SEPARATELY
FROM YOUR POOL LADDER**