

Pool Measuring Form

THE PLACE FOR ALL YOUR POOL NEEDS

Name: _____
 Address: _____
 City: _____ State: _____ Zip: _____
 Phone: _____ FAX: _____
 Date: _____ Order: _____

574 Main Street
 Tonawanda, NY 14150
 1-800-356-3025
 FAX: 716-898-8059

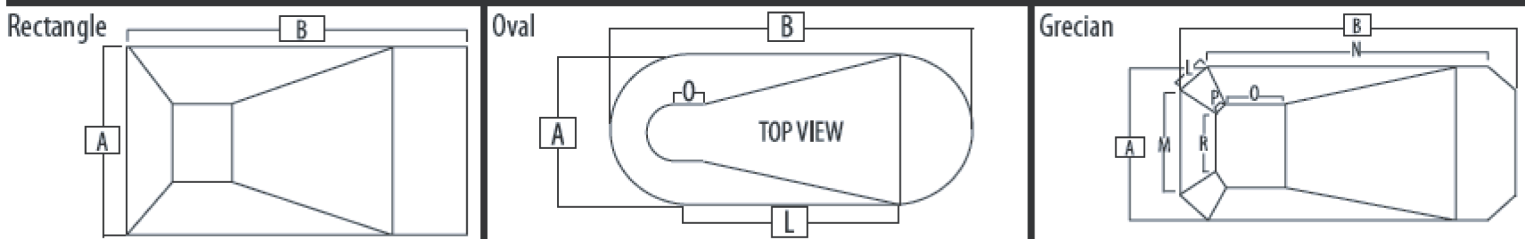
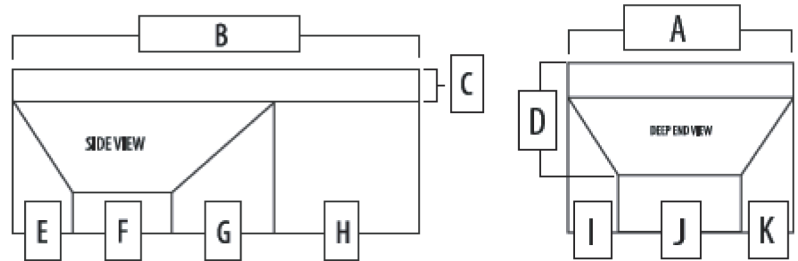
Note: You must sign and date the reverse side

RECTANGLE - OVAL - GRECIAN

Fiberglass Steps <input type="checkbox"/> YES <input type="checkbox"/> NO (if yes, please mark location of step on drawing below)	Vinyl Covered Steps <input type="checkbox"/> YES <input type="checkbox"/> NO (if yes, please fill out G/L step form and draw location on top view of drawing)	Corner Type <input type="checkbox"/> Square <input type="checkbox"/> Radius _____ ft./in. _____ <input type="checkbox"/> Diagonal _____ ft./in. _____	Safety Ledge <input type="checkbox"/> YES _____ in. <input type="checkbox"/> NO	Wall (circle one) Beaded Overlap _____ in. Overlap w/Tile _____ in.
---	---	---	--	---

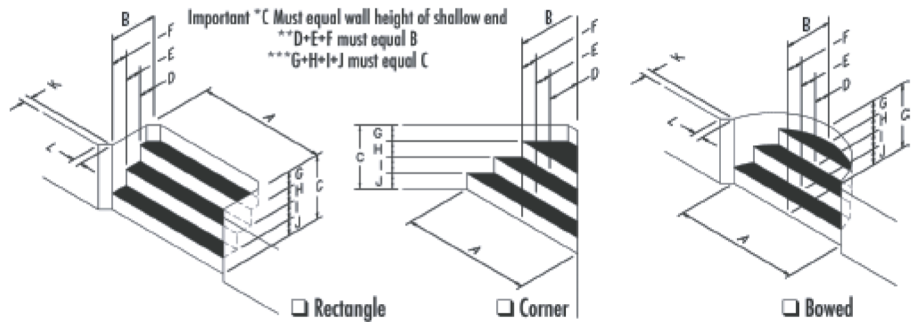
HOPPER PAD TYPE

Rectangle Oval Grecian Radius _____ inches
 A _____ E _____ I _____ L _____ R _____
 B _____ F _____ J _____ M _____
 C _____ G _____ K _____ N _____
 D _____ H _____ O _____
 P _____



Vinyl Covered Steps (check appropriate shape below)

A	Top Step Corners: <input type="checkbox"/> Square <input type="checkbox"/> Radius _____ inches <input type="checkbox"/> Diagonal _____ inches
B	
* C	Tread & Riser Material Pattern: <input type="checkbox"/> Same as floor (standard) <input type="checkbox"/> White Non-Skid <input type="checkbox"/> Blue Non-Skid
** D	
** E	Rod Pockets: <input type="checkbox"/> Yes <input type="checkbox"/> No Size _____ <small>Diameter of rod</small>
** F	
*** G	Step Location: <input type="checkbox"/> Center End Shallow <input type="checkbox"/> Other (Provide Drawing)
*** H	
*** I	Step Setback: <input type="checkbox"/> Yes <input type="checkbox"/> No If yes, see below. Setback Width (K) _____ inches <input type="checkbox"/> Straight <input type="checkbox"/> Angled (L) _____ inches
*** J	
K	
L	



Step Setback: Yes No
 If yes, see below.
 Setback Width (K) _____ inches
 Straight Angled (L) _____ inches

Pool Measuring Form

THE PLACE FOR ALL YOUR POOL NEEDS

Name: _____
 Address: _____
 City: _____ State: _____ Zip: _____
 Phone: _____ FAX: _____
 Date: _____ Order: _____

574 Main Street
 Tonawanda, NY 14150
 1-800-356-3025
 FAX: 716-898-8059

Note: You must sign and date the reverse side

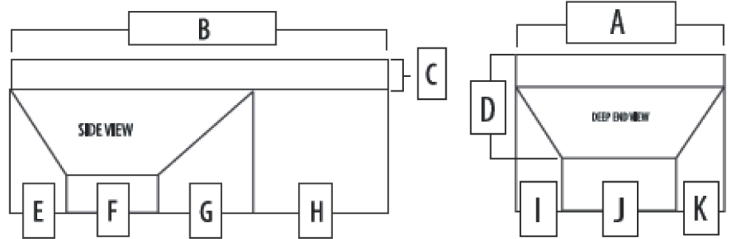
TRUE-L & LAZY-L

Fiberglass Steps <input type="checkbox"/> YES <input type="checkbox"/> NO (if yes, please mark location of step on drawing below)	Vinyl Covered Steps <input type="checkbox"/> YES <input type="checkbox"/> NO (if yes, please fill out GLI step form and draw location on top view of drawing)	Corner Type <input type="checkbox"/> Square <input type="checkbox"/> Radius _____ ft./in. _____ <input type="checkbox"/> Diagonal _____ ft./in. _____	Safety Ledge <input type="checkbox"/> YES _____ in. <input type="checkbox"/> NO	Wall (circle one) Beaded Overlap _____ in. Overlap w/Tile _____ in.
---	---	---	--	---

HOPPER PAD TYPE

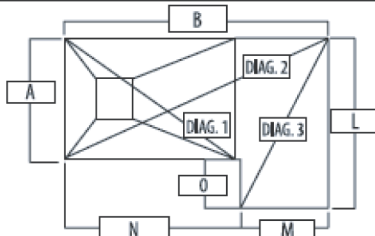
Rectangle Oval Grecian Radius _____ inches

A _____ E _____ I _____ L _____ Diag. 1 _____
 B _____ F _____ J _____ M _____ Diag. 2 _____
 C _____ G _____ K _____ N _____ Diag. 3 _____
 D _____ H _____ O _____ Diag. 4 _____
 P _____ Diag. 5 _____



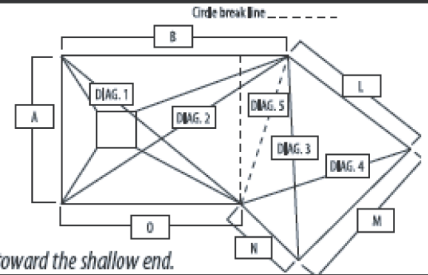
True-L - Right shown below

True-L Direction*
 Right
 Left
 Reverse Corner Type
 Square
 Radius _____ in.
 Diag. _____ in.



Lazy-L - Right shown below

Lazy-L Direction*
 Right
 Left



*Pool direction is determined by standing at the deep end of the pool looking toward the shallow end.

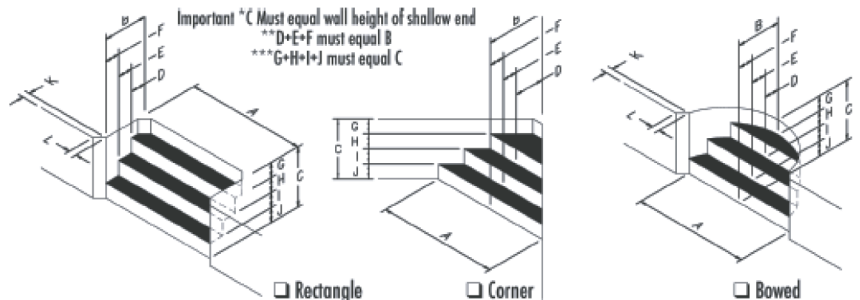
Vinyl Covered Steps (check appropriate shape below)

	A
	B
*	C
**	D
**	E
**	F
***	G
***	H
***	I
***	J
	K
	L

Top Step Corners:
 Square
 Radius _____ inches
 Diagonal _____ inches

Tread & Riser Material Pattern:
 Same as floor (standard)
 White Non-Skid
 Blue Non-Skid

Rod Pockets: Yes No
 Size _____
 Diameter of rod _____
Nailer Flaps: Yes No



Step Location:
 Center End Shallow
 Other (Provide Drawing)

Step Setback: Yes No
 If yes, see below.
 Setback Width (K) _____ inches
 Straight Angled (L) _____ inches

DIAGONAL MEASUREMENTS MUST BE TAKEN TO IMAGINARY SQ. CORNERS.