



1-866-778-POOL

[www.poolboyproducts.com](http://www.poolboyproducts.com)

## **POOL BOY® 3A Battery Powered Solar Blanket Reel Installation / Operation Guide**

Revised 01/02/2020



### **INTRODUCTION**

Please Read, Follow, and **Save this Instruction Manual.**

POOL BOY®III is recommended for use on rectangular shaped pools.

The POOL BOY®III system should only be used for the intended application.

## IMPORTANT SAFETY PRECAUTIONS



**READ AND FOLLOW ENTIRE INSTRUCTION MANUAL AND ALL PRECAUTIONS. SAVE THIS INSTRUCTION MANUAL FOR YOUR RECORDS. PRIOR TO INSTALLING, USING, OR TROUBLESHOOTING THIS EQUIPMENT**

### CAUTIONS

- Read, Follow, and **Save the Entire Instruction Manual.**
- Use the system only in the intended manner.
- Remember, solar blankets are not safety covers.
- Remove the solar blanket completely from the pool before using the pool.
- The POOL BOY® system is intended to be stationary. It is not designed to be mounted on a caster-equipped stand.
- Visually inspect the pool prior to retracting or extending the solar blanket. Ensure that the pool is clear of occupants and that no items will conflict with the solar blanket.
- Store the remote control and system key in a secure location in order to prevent unauthorized operation.
- Unit is for outdoor use only.
- Do not attempt any technical repairs without proper training or first calling Pool Boy Technical Support at 1-866-778-POOL(7665) . Failure to do so may result in Denial of warranty claims.

# GETTING STARTED

## Required Tools

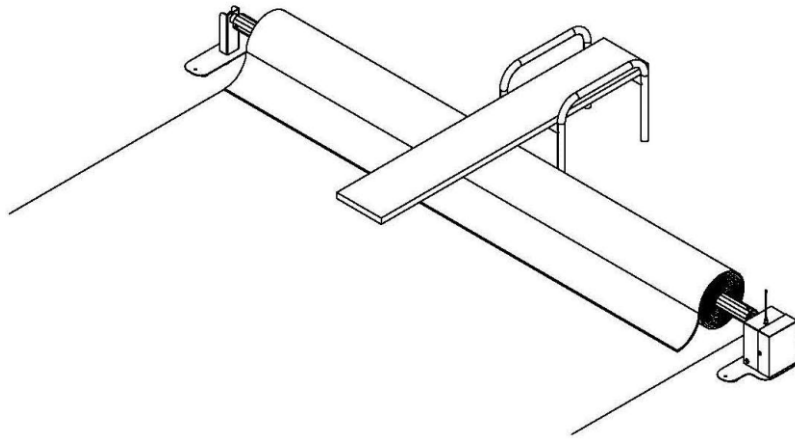
- Drill/driver/screw gun with 5/16 hex driver bit
- 25 foot tape measure
- Flat blade screwdriver

## Select the Location

Select a location at one of the narrow ends of the pool. The location must:

- Be away from the ladder
- The drive side stand may be placed on either side of the pool.

## Suggested Layout

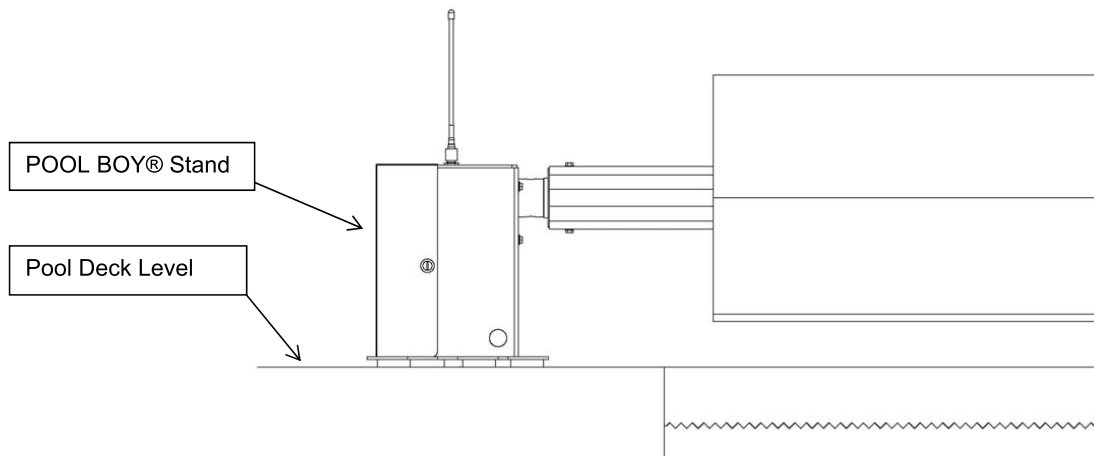


## Installation

### 1) Position the Stands

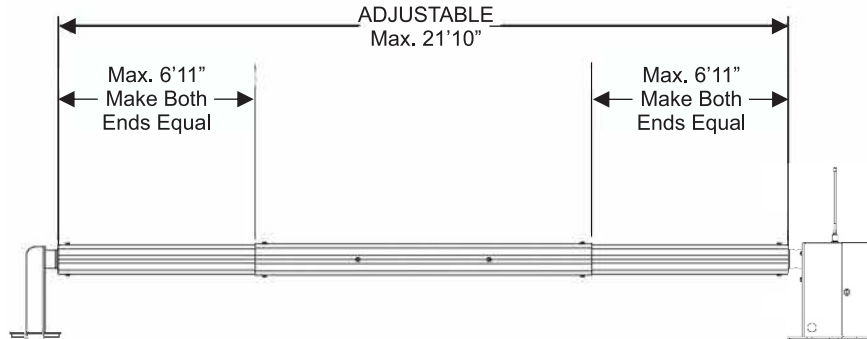
Position the stands in the selected location at one of the narrow ends of the pool. The stands come fully assembled except for the installation of the battery which is covered later in the instructions.

The Stand that will be referred to as the Drive side stand is the larger of the two. The Drive side stand will house the motor and the battery and its control components.



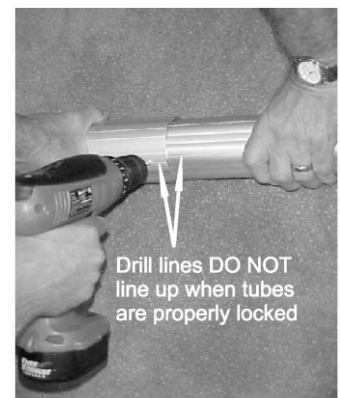
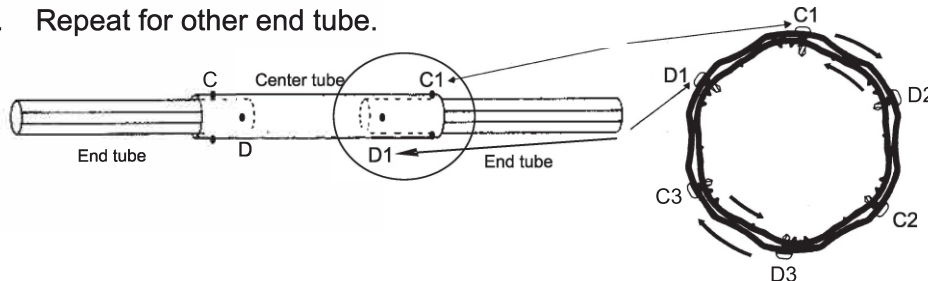
## 2) Tube Assembly - Twist Locking Tubes

The tube assembly is adjustable to accommodate required widths from 17' to 21'10". The tube assembly has three tube sections. Two smaller diameter tubes telescope from each end of the larger diameter tube. See the drawings along with the below instructions. Do not exceed the maximum lengths shown on the drawing. When installing and tightening screws care should be taken to avoid stripping or breaking the screws. The use of a drill/driver with a slip clutch is highly recommended.



### Tube Assembly

1. The tube set will be made from 3 tube sections that are each 7'11" long.
2. The tube set when finished will have a maximum length of 21'10".
3. 2 sections are slightly smaller in diameter and will each slide into one end of the larger diameter tube section (the center tube).
4. Line up the scribe mark on each section and insert one smaller tube into each end of the larger tube.
5. Each smaller tube must be inserted a **minimum** of 12 inches but may be inserted more depending on the width of the pool. The minimum insertion is reached by having no more than 6' 11" of exposed smaller tube showing. **See Diagram.**
6. **The finished tube set should be no more than 2' longer than the width of the pool.**
7. Lock tubes together by rotating the center tube in the opposite direction to end tube. **HOLD TUBES LOCKED WHILE YOU INSTALL FIRST SELF-DRILLING SCREW ON A DRILL LINE, 1" (2.5 cm) back from end of center tube at Location "C1" (see diagram below).**
8. Place 2 more self-drilling screws at Location "C2" & "C3" - 1 screw at every second drill line around tubes.
9. At "D" locations install 3 screws around the center tube at every second drill line. "D" is 10" back from center tube seam.
10. Repeat for other end tube.



11. Slide the finished cross tube assembly on to the plastic hubs of both the drive side and idle side reel stands. Push the tube on till the edge of the tube is even with the inside edge of the hub (closest to the reel).
12. The internal ribs of the cross tube will score the hubs and hold the tube in place. 2 screws may be placed through the tube and into the plastic hubs at each end if desired.

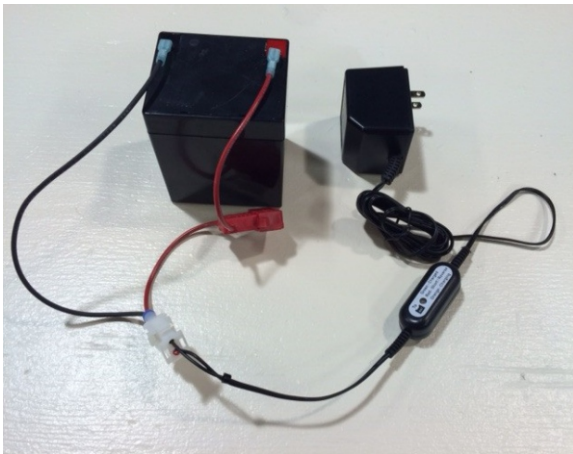
### 3) Battery Charging and Installation of Battery

The battery is shipped uninstalled to the drive side stand. Prior to installing the battery and operating the unit the battery needs to be charged.

#### Charging the battery

**The battery needs to be charged prior to its first usage and occasionally based on the number of times it is used. Also the battery needs to be charged prior to seasonal storage. The battery must be removed from the drive side stand to charge it.**

The battery is shipped with a connecting harness installed. To charge simply plug the mating connectors of the charger and the battery together and then plug the charger into a 110 VAC outlet. The charger is not to be used outdoors or in a wet or damp environment. The battery should be charged in area with good ventilation. The battery and the charger must be kept away from external heat sources and open flame or other ignition devices. The charger feed wiring is equipped with a charge indicator light that will change color from orange to green when fully charged. Excessive overcharging or undercharging may damage the battery and limit its life. See precautions printed on the battery and separate sheet provided with charger for further information.



Battery properly attached to 110VAC charger



Charging Indicator

**Note:** The charge indicator light will be lit green if any one or more of the following exists. The battery is fully charged, the fuse is blown or the wiring/connection to the battery is not complete.

**Seasonal storage:** Prior to long periods of inactivity the battery should be removed from the stand, charged and stored where it cannot freeze. It should be stored away from excessive heat and flame.

**Note:** The battery and charger may vary from photos due to differing manufacturers.

## 4) Test Run

Plug the power supply into a GFI equipped receptacle. With the cross tubes attached, test run the system. (See the OPERATION Section for instructions.) Ensure the cross tube is securely attached to the Pool Boy® hubs and that it runs smoothly without wobble.

## 5) Install the covers for the drive and idler stands

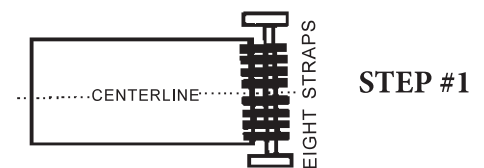
Install the drive stand cover. Make sure the motor harness is routed through the slot in the side of the cover. If the idler stand cover was removed, reinstall it at this time.

## 6) Attach the Solar Blanket

### 1. CONNECTING THE SOLAR COVER TO THE REEL

(Refer to Step #1)

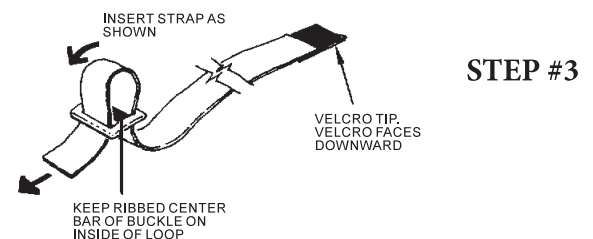
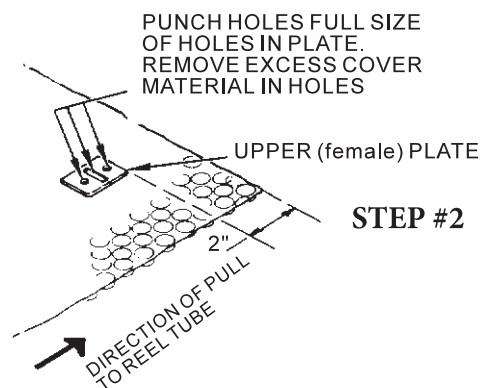
1. Select a location suitable for pool cover removal, usually on the pool end without steps. Make sure the Solar Cover is trimmed properly. The tube should be positioned perpendicular to the center line of the pool as in Step #1. **PROPER ALIGNMENT BETWEEN POOL COVER AND THE TUBE IS CRITICAL!** Whether your pool is rectangular or irregular in shape, the straps must be placed and installed so that there is equal pull on all straps at the same time to help prevent misalignment of the cover.



### 2. ATTACH COVER PLATES TO SOLAR BLANKET

(Refer to Step #2)

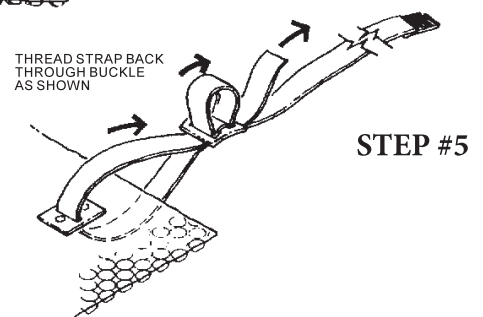
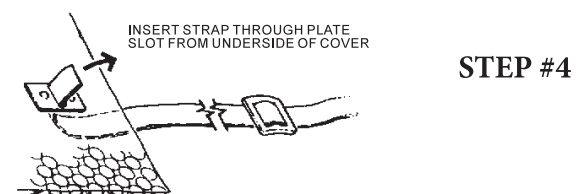
1. Starting at one side of the solar cover, position a set of cover plates (male and female) with the large center slot at the location of the blue strap and at least 2" from any edge of the cover.
2. With a sharp instrument, using the female plate as a guide and with the raised ridges facing **DOWNWARD**, punch 3 holes through the cover plate and cover. The holes must be as wide as the holes in the plate.
3. Place a male plate under the cover directly beneath the female plate.
4. Insert the 2 snaps through the cover and snap together. If the plates do not snap into position with normal force, remove excess cover material.
5. Repeat this operation until all the plates have been installed on the cover.



### 3. ATTACH STRAP / STRAP BUCKLE

(Refer to Steps #3, #4, and #5)

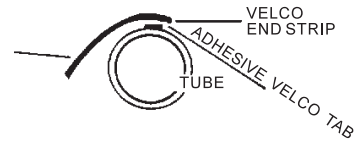
1. With the ribbed crossbar on the strap buckle facing up, slide the buckle onto the strap from the end opposite the velcro.
2. Position the buckle at least 24" from the strap end. Bring the strap underneath the solar cover and up through the center opening in the plate.
3. Thread the strap end back through the buckle.
4. Repeat process for each strap.



#### 4. ATTACH VELCRO HOOK TO ALUMINUM TUBE

(Refer to Step #6)

1. Place the velcro end of the strap over the tube.
2. Standing behind the tube, pull the strap taut and align as straight as possible between the cover plate and the tube.
3. Remove adhesive backing from the velcro tab and place it firmly into position at the top of the tube. Tube must be dry and free from grease or dirt.
4. Repeat procedure for each strap keeping the velcro adhesive tape in a line along the top of the tube.
5. Use the buckles to adjust each strap so all straps provide equal tension on the solar cover when rolling the solar cover onto the reel.

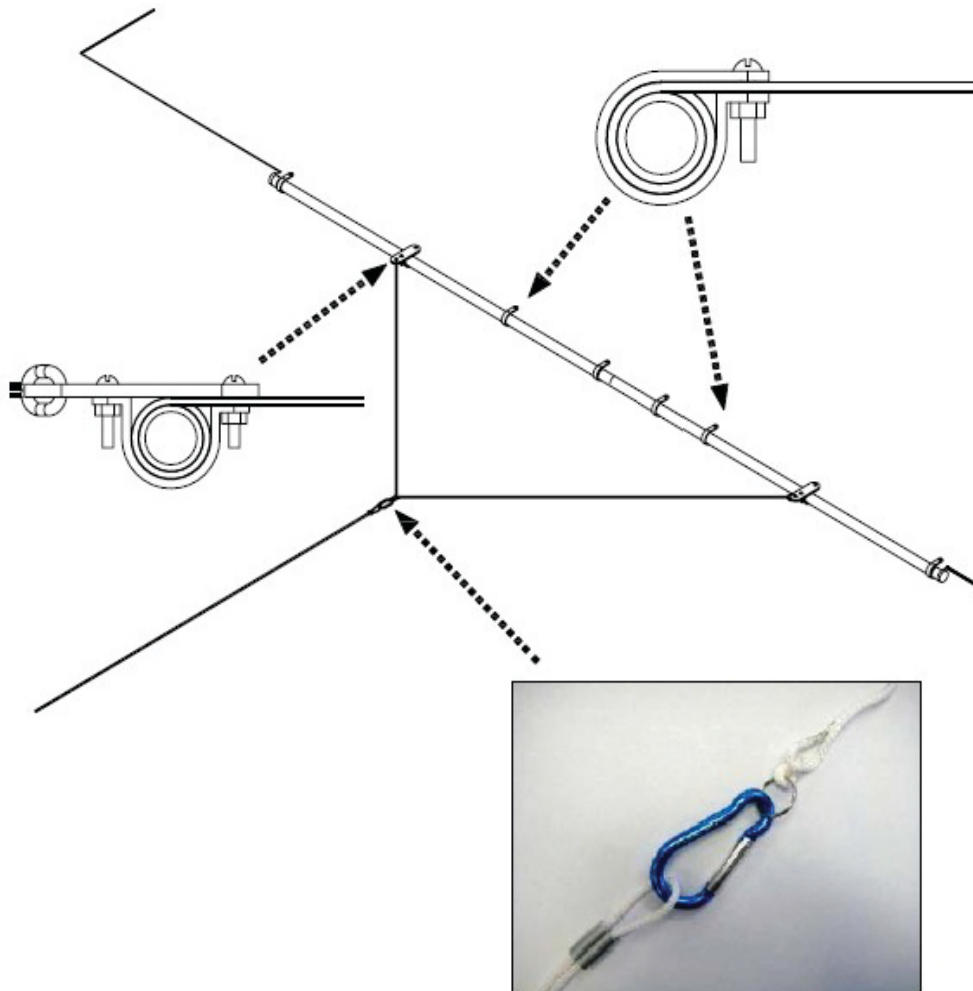


STEP #6

#### 7) Install tether kit

The tether kit attaches to the leading edge of the solar cover, opposite the end that wraps onto the cross tube. The tether kit is used to guide the cover during extension and retraction.

1. Carefully wrap the edge of the cover around the rods (2) 5ft pieces. Ensure the wrap is **even and square** to the leading edge and center of the cover.
2. Install the supplied (6) clips as shown in the following diagram. Bolt through the cover material, a hole will need to be made thru the blanket. Install clamps evenly, approximately one every two feet.
3. Snap the guide rope harness to the clips as shown.



# OPERATION OF THE REEL

## Safety Items prior to operation

Visually inspect the pool prior to retracting or extending the solar blanket. Ensure that the pool is clear of occupants and that no items will conflict with the solar blanket.

When not in use, store the remote control and system key in a secure location in order to prevent unauthorized operation.

## Remote Control

1. The key fob remote control is used to extend and retract the solar blanket.
2. The fob has 4 buttons; A, B, C & D. Only buttons A and B will be used.
3. Depressing button A will make the cross tube rotate in one direction. Depressing button B will make the cross tube rotate in the opposite direction.
4. The button used to retract the solar blanket will depend on which side of the pool the drive side of the Reel is placed. The other button will extend the solar blanket.

## Operate the System

1. To retract the blanket, press and hold the appropriate button. Release the button once the solar blanket is rolled up onto the cross tube.
2. To extend the solar blanket back onto the pool press and hold the appropriate button.
3. It will be necessary to guide the blanket onto the pool as it uncoils from the reel. This can be done using the tether. If not using the tether simply grasp a corner of the blanket and walk along the side of the pool assisting the blanket to extend.
4. Release the button once the cover is fully extended.
5. When not in use store the remote control in a safe place that prevents unauthorized use and loss.

## Programming Remote Control

1. Linking the remote control fob with the radio receiver in the drive side stand can only be done at the factory.
2. 2 remote control fobs have been included with the reel. Losing both will require purchasing a new fob and returning the radio receiver to the factory to have them linked. There will be a charge for this.

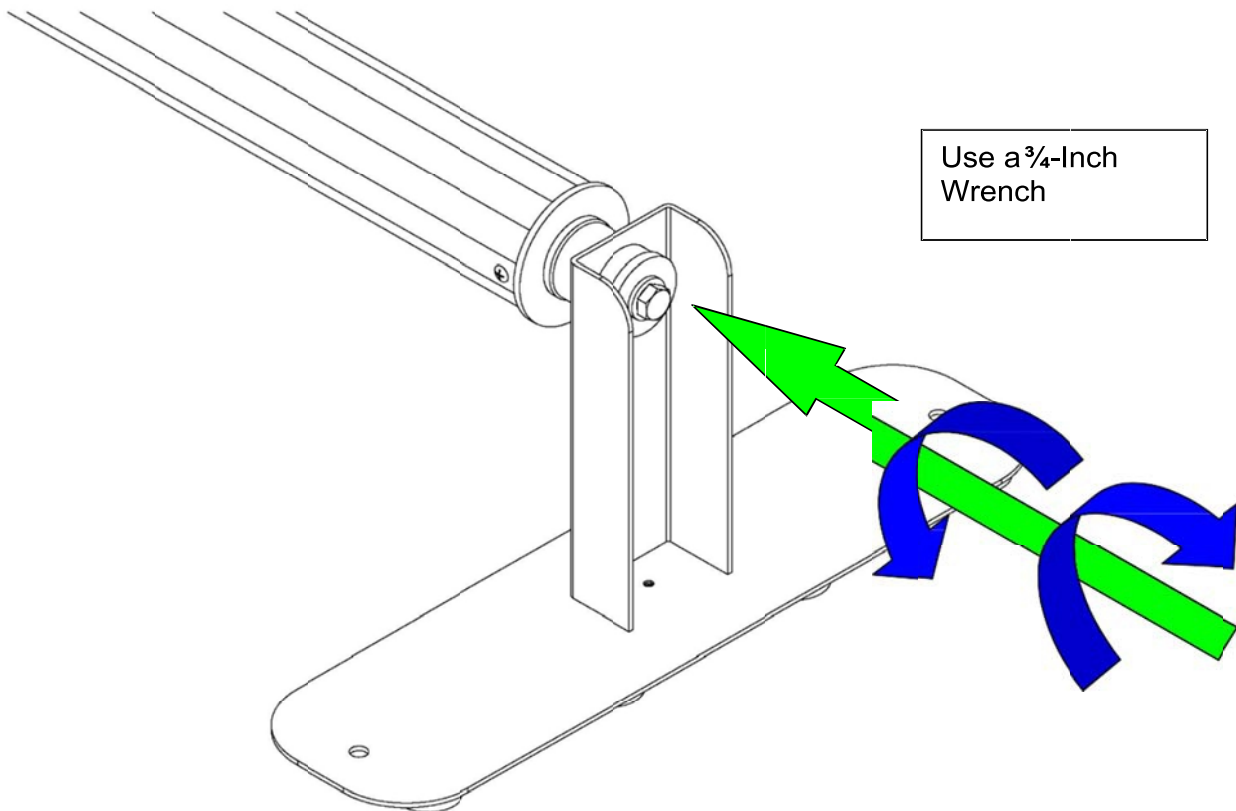
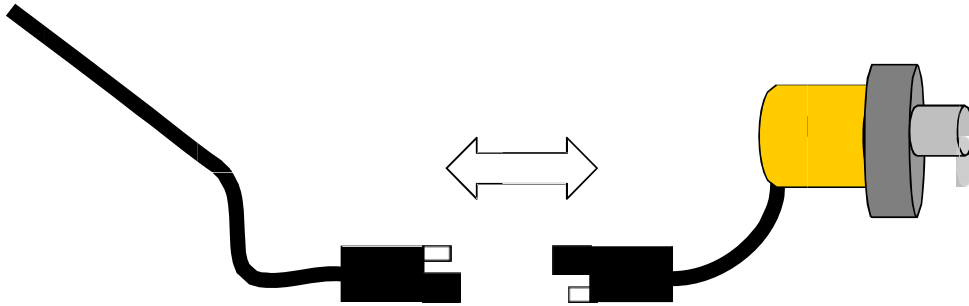




## MANUAL OVERRIDE

In the event of a loss of power, a manual override is provided.

- 1) Unplug the motor harness.
- 2) Use a  $\frac{3}{4}$ -inch wrench or socket to turn the reel in the desired direction.



## **Maintenance and Troubleshooting**

### **Stands and tubes**

The Pool Boy stands and tubes are designed to be weather resistant and Maintenance free. The hubs are made of a special material that does not require lubrication. The stands are specially multi coated to resist the elements and may be cleaned using a mild soap and water solution. The use of a pressure washer is to be avoided due to the battery and other components inside of the drive stand.

### **Battery**

The battery located in the drive side stand must be charged occasionally for proper operation (see battery charge instructions for this). The battery powered components located inside of the drive side stand are weather resistant, they are not immersion proof. The battery and battery powered components may be cleaned using a damp rag. Under no circumstances should the battery or battery powered components be cleaned by using high pressure spray from a hose or pressure washer.

### **Seasonal storage**

Prior to long periods of inactivity the battery should be removed from the stand, charged and stored where it cannot freeze. It should be stored away from excessive heat and flame. It should then be charged again prior to usage. (see section on charging battery)

### **Remote (Fob)**

The remote control (Fob) is weather resistant. It contains a button type battery (CR 2032). The battery may require replacement at some time. This battery (CR 2032) is available at most retail outlets that sell batteries. When replacing the battery be sure to install for correct polarity and remove any protective sticker or film that may be on the battery.

### **No operation**

If the system fails to operate first check and verify that you are doing the **TWO button press for TWO seconds** prior to attempting operation. (See operation instructions for this)

#### **Then check the following items**

Check/charge the main battery in the drive side stand

Check the fuse in the fuse holder at the battery connector. The fuse is an ATO 7.5 AMP.

Check/replace the battery in the remote (Fob)

Check the wiring inside of the drive side stand for corrosion and or loose wiring

After following the above checks if trouble persists call POOL BOY technical assistance at 866-778-7665

# WARRANTY

## POOL BOY CORPORATION LIMITED WARRANTY, REPLACEMENT PARTS & RETURNS POLICY POOL BOY®

**POOL BOY® LIMITED WARRANTY** Effective April 1, 2019 Pool Boy Corporation warrants to the original purchaser of POOL BOY® system components (the "Products"), for a period of three (3) years from the original sale date or date of dealer installation, whichever is earlier ("Limited Warranty Period"), that the Products shall be free from defects in material and workmanship. This is a prorated warranty. Pool Boy's sole obligation under this warranty is, at its election, to repair, replace or make appropriate adjustments concerning the Products where Pool Boy's inspection discloses any such defects in the Products occurring in normal usage within the limited warranty period. Pool Boy will, at its option repair or replace such part at the following prorated cost to the original reel owner:

YEAR 1	NO COST
YEAR 2	35% OF LIST PRICE
YEAR 3	75% OF LIST PRICE

However, you will be responsible for all shipping or transportation costs in connection with transporting this unit to and from Pool Boy. Only warranty claims with prior authorization from Pool Boy will be recognized; all other claims are invalid and will be denied. This warranty does not apply to abuse, misuse, neglect, negligence, error of operations or to purposeful or accidental damage or damage due to "act of God" such as wind or rain damage, flood, lightning or other natural or similar occurrences. The POOL BOY® limited warranty coverage applies only to the Products and no other apparatus or property to which the Products are affixed or attached. The POOL BOY® limited warranty is not transferable. THE FOREGOING WARRANTY IS IN LIEU OF AND EXCLUDES ALL OTHER WARRANTIES NOT EXPRESSLY SET FORTH HEREIN, WHETHER EXPRESS OR IMPLIED BY OPERATION OF LAW OR OTHERWISE, AND POOL BOY is not responsible for removal or installation costs. UNDER NO CIRCUMSTANCES SHALL POOL BOY'S LIABILITY FOR ANY DEFECT IN THE PRODUCTS, WHETHER BASED ON CONTRACT, TORT, WARRANTY, STRICT LIABILITY, OR ANY OTHER THEORY, EXCEED THE PURCHASE PRICE OF THE DEFECTIVE PRODUCTS, AND POOL BOY SHALL HAVE NO LIABILITY FOR CONSEQUENTIAL, SPECIAL, INCIDENTAL, INDIRECT, EXEMPLARY OR PUNITIVE DAMAGES OF ANY KIND WHATSOEVER. This limited warranty provides the limited purchaser of the Products with specific legal rights. The original purchaser of the Products may also have other rights that vary from state to state.

**APPLICABILITY OF LIMITED WARRANTY TO REPLACEMENT PARTS.** The terms and conditions of the POOL BOY® Limited Warranty shall apply to any replacement parts provided to the original purchaser by Pool Boy in connection with any warranty claim. Any replacement part is warranted for the balance of the Limited Warranty Period or ninety (90) days from the date of shipment of the replacement part, whichever is longer. No markup will be paid by Pool Boy for warranty parts.

**RETURNS POLICY.** This returns policy applies to all Products returned to Pool Boy from the original purchaser during the Limited Warranty Period. Prior authorization is required before any Product may be returned to Pool Boy. A Return Authorization Number is required for Pool Boy's acceptance of returned Products. Warranty claims submitted without proof of the original purchase date are not covered by this Warranty and will be denied. Parts credit (if applicable) will be sent after Pool Boy tests the Product and validates the warranty claim.

**Please direct all questions concerning the POOL BOY® Limited Warranty to:**

**PoolBoy Corporation**  
WarrantyClaims  
5050W. Lake St.  
Chicago,IL 60644  
Telephone: 1-866- 778-7665  
Email: poolboyreels@gmail.com

