

5. LOW BATTERY FUNCTION

When the 9-volt battery is low, the gate alarm horn will chirp once every 10 seconds—this means it is time to install a new battery. Battery life is approximately 1 year. Test your gate alarm weekly by opening the gate and allowing the alarm to sound.

WARRANTY AND REPAIRS

POOLGUARD is sold with a limited warranty to cover defects in parts and workmanship for one year from date of purchase. (Retain proof of purchase). If Poolguard exhibits a defect, please call our Customer Service department at 1-800-242-7163. Unauthorized returns will not be accepted. Proper repair is only ensured when the unit is returned to the manufacturer. Visit our website at www.poolguard.com to fill out your warranty registration information.

PBM INDUSTRIES, INC.

P.O. Box 658
NORTH VERNON, IN 47265
812-346-2648



PBM INDUSTRIES, INC.
MADE IN THE USA
REV. 05-17

SWIMMING POOL SAFETY TIPS

- Supervise children at all times.
- Never permit swimming alone. Never leave a child alone, even to answer the telephone.
- Always remove the entire solar cover from a pool before swimming.
- Remember that alcohol and water safety do not mix.
- Have your pool area fenced and the gate locked to prevent unauthorized entry to the pool, and install a gate alarm.
- Lock and secure all doors in the house which permit easy access to the pool, and install a door alarm.
- Have a responsible adult teach swimming and water safety to your children.
- Maintain clean, clear water in the pool.
- Do not swim during electrical storms.
- Do not permit bottles, glass, or sharp objects to be used around the pool.
- Ask your pool dealer how you can improve your pool safety—they will be glad to assist you.
- Above all: remember that common sense, awareness, and caution will allow you to enjoy your pool.



www.poolguard.com



Poolguard's
Family of Products
Helps Protect Your Family!

www.poolguard.com

GATE ALARM Installation Instructions

MODEL GAPT-2
MEETS UL 2017

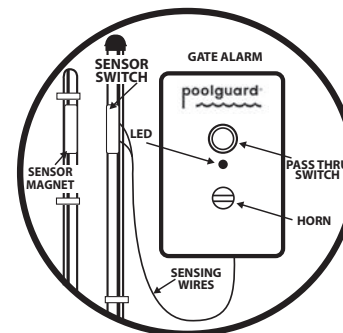


Figure 1

The horn is 85dB at 10 feet

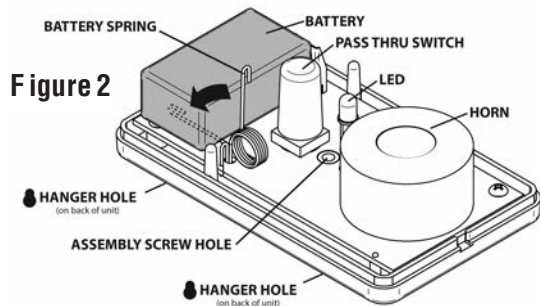
IMPORTANT READ THOROUGHLY BEFORE USING ALARM

The product has been designed to aid in the detection of unwanted intrusions into unsupervised areas. POOLGUARD GAPT-2 IS A SAFETY ALARM SYSTEM AND NOT A LIFE SAVING DEVICE. It should be used in conjunction with the safety equipment currently in use and should not affect existing safety procedures.

1. INSTALLING THE 9V BATTERY (FIG. 2)

Maximum Current Input = 19mA
9V dc alkaline battery, Energizer No. 522 or Duracell No. MN1604

- Remove the assembly screw from the back of the gate alarm and remove the top cover. (See Figure 2)
- Pull down the battery spring and install the 9v battery (see figure 2).
NOTE: If the battery spring is not in the correct position under the battery, the alarm will not go back together.
- When the 9v battery is installed, the LED will flash once every 10 seconds. When the alarm sounds, the LED will flash once every second.
- Reassemble the gate alarm with the assembly screw. NOTE: Once the battery is installed the alarm may sound accidentally until the sensors are connected properly.

2. INSTALLING POOLGUARD GATE ALARM (FIGS. 1 & 2)

- Determine the best location. The gate alarm must be installed at least 54" above the threshold of the gate.
- With a pencil, mark 2 spots 2 1/2" apart vertically (up & down) where the alarm will be mounted. These 2 marks are where the 2 larger supplied screws will be inserted to hang the gate alarm.
- Insert the 2 larger supplied screws on the 2 marks. Leave about 5/32" (not including the head of the screw) exposed.
- Hang the gate alarm on the mounted screws and pull downward until the screws are positioned in the small end of the hanger holes in the back of the alarm.

3. INSTALLING GATE SENSOR (FIG. 1)

The Poolguard Gate Alarm is activated by a sensor which consists of two parts. One part contains the sensor magnet. The sensor switch is permanently connected to the sensing wire that comes from the Poolguard Gate Alarm. Using the screw supplied, the sensor switch is installed on the stationary part (usually the frame) of the fence, and the sensor switch should be on the side near the top of the fence post (Fig. 1), but not on the side which is hinged. To function properly the sensor switch and sensor magnet should line up with each other, and a spacing of 2" between the sensor switch and sensor magnet is acceptable. If either the gate or the fence post is made of steel this may limit spacing between sensor switch and sensor magnet to 1 1/4", test your alarm. If spacing of 2" is needed, use 1/4" thick wood or plastic shims under the sensor switch and sensor magnet.

4. OPERATING YOUR GATE ALARM (FIG. 1)

The POOLGUARD GATE ALARM uses two delay modes which allow the user to exit and enter the gate without the alarm sounding. These two modes are explained below.

- FIRST DELAY MODE:** When the gate is opened the alarm automatically goes into the first delay mode which gives you 7 seconds after the gate is opened to push the pass thru switch. If the pass thru switch is not pushed within 7 seconds the alarm will sound with the gate open or closed. To silence the alarm close the gate then push the pass thru switch.
- SECOND DELAY MODE:** When the gate is opened and the pass thru switch is pushed within 7 seconds, this puts the gate alarm in the second delay mode which allows you 14 seconds to go through the gate and close it. When the gate is closed within 14 seconds, the alarm will automatically reset. If the gate is not closed within 14 seconds, the alarm will sound.

NOTE: If the alarm sounds for approximately 5 minutes and the gate is still open. The alarm horn will start to pulsate, 5 seconds ON and 5 seconds OFF. The alarm will continue to do this until an adult closes the gate and pushes the PASS THRU switch on the gate alarm to silence the alarm. If the alarm sounds for approximately 5 minutes and the gate is closed, the alarm will reset.

poolguard®

www.poolguard.com

poolguard®



IN GROUND POOL ALARM
WITH REMOTE RECEIVER

"SAFETY BUOY"
ABOVE GROUND POOL ALARM
WITH REMOTE RECEIVER



DOOR ALARM



DOOR ALARM
WITH TRANSMITTER

www.poolguard.com