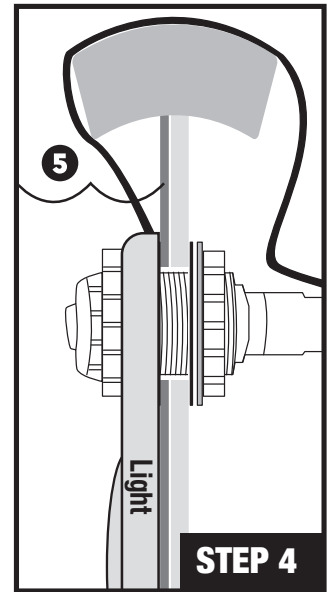
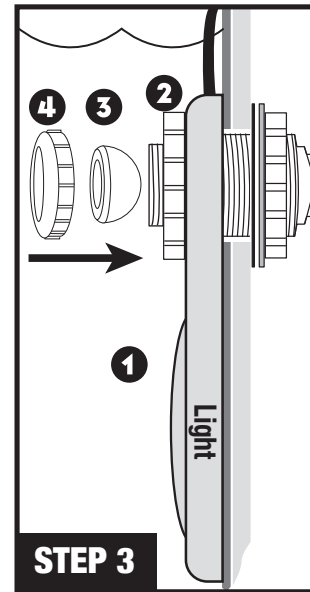
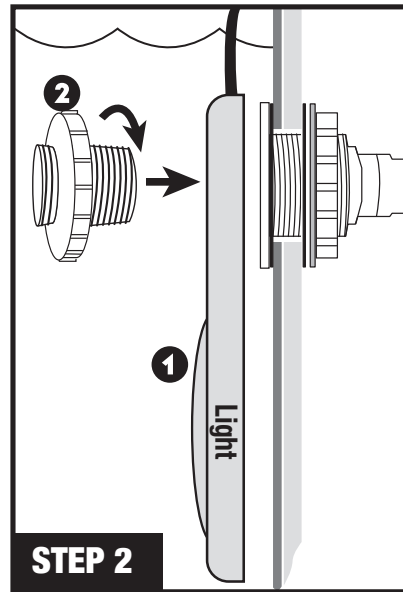
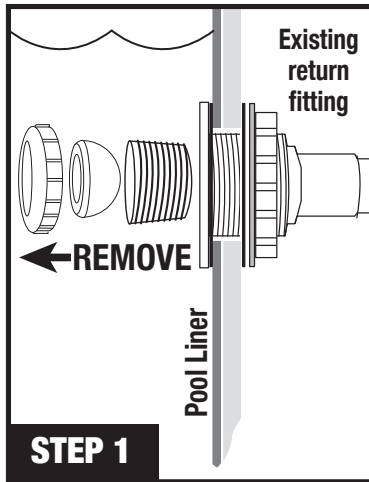


ACM200-WHITE-BX

Return Fitting Ultra Bright LED Light with Remote Control
12 Volts; 9 Watts; 315 Lumens; Colours: RGB

TURN OFF POOL PUMP BEFORE STARTING INSTALLATION.



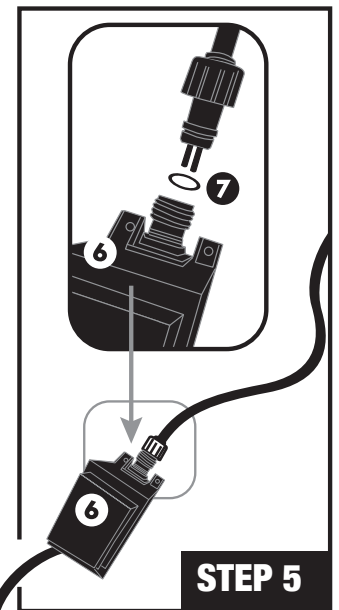
STEP 1 From existing return fitting, unscrew large, ribbed nut and remove eyeball. Unscrew inner sleeve (*Keep these parts in case you remove the return fitting light*). **DO NOT UNSCREW EXISTING RETURN FITTING.**

STEP 2 Install return fitting light ① over the return fitting. Align and secure in place with large nut ②. **Do not overtighten.**

STEP 3 Insert eyeball ③ (included) at desired angle and secure using ribbed nut ④ (included).

STEP 4 Make sure the electrical cord ⑤ and transformer ⑥ are out of the water.

STEP 5 Slide plastic O-ring ⑦ onto transformer plug. Insert pins into transformer outlet and secure with cap. The transformer ⑥ should be plugged into a GFCI outlet.



WARNING

- Risk of electrical shock, if instructions are not followed. Connect only to a grounded GFCI outlet that is a minimum of 10 feet (3 m) away from the pool. **DO NOT USE EXTENSION CORDS.**
- Do not let children use this device unsupervised.
- For use on permanent above-ground pools only.
- Do not use the light if the lens, transformer or cord is damaged.



WINTER STORAGE: Freezing weather may damage light fixture. Disconnect light and remove from the pool. Store in dry space at room temperature.

NOTE: See Remote Control Instructions for Operating and Pairing Remote with ACM200-WHITE-BX Pool Light