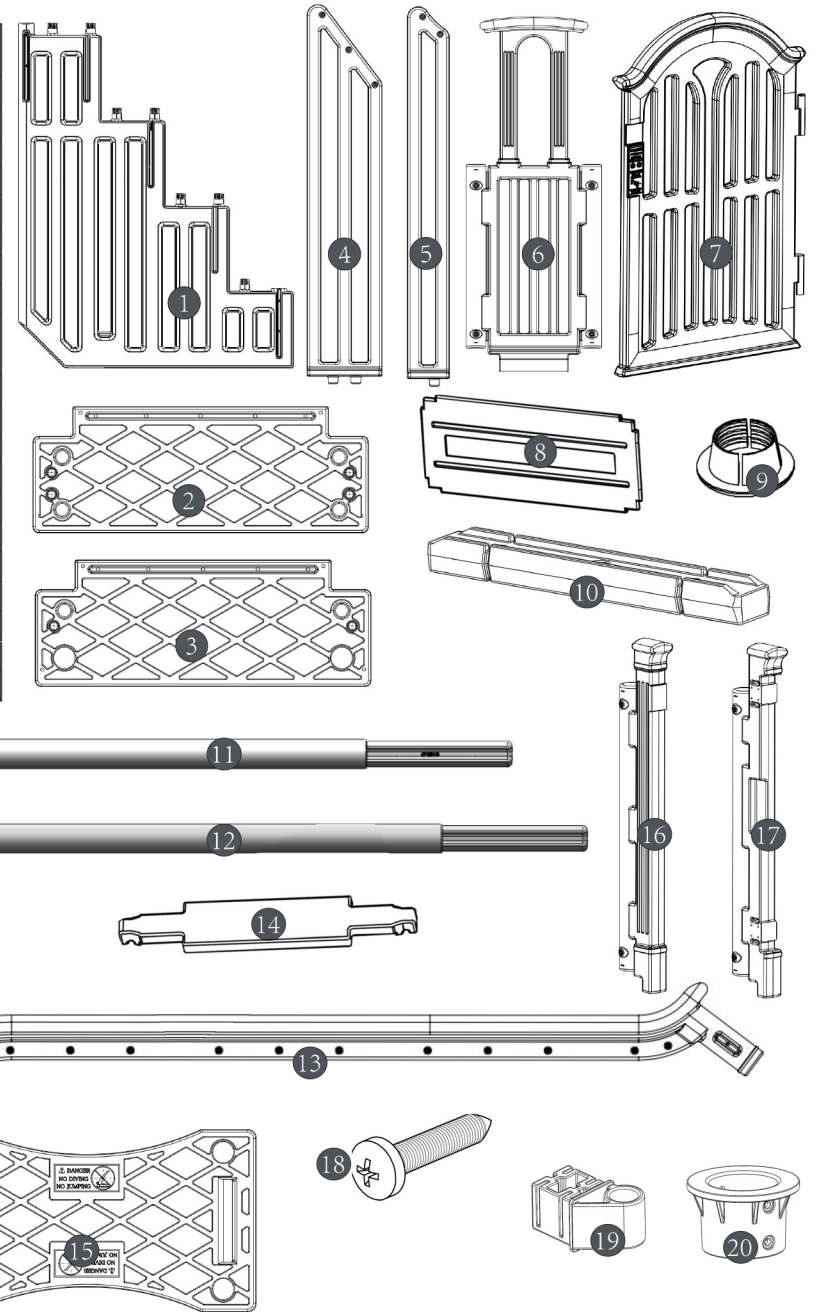


71501

PART NUMBER	DESCRIPTION	71501
1	SIDE PANELS	4X
2	STEPS	6X
3	STEPS	2X
4	SUPPORTING PANEL	6X
5	SUPPORTING PANEL	2X
6	CONNECTION RAIL	2X
7	GATE	1X
8	RISERS	8X
9	LOCK CAPS	32X
10	BASE	4X
11	POST	4X
12	LONG POST	4X
13	HANDRAIL	4X
14	LOCATING RACK	2X
15	STEPS	1X
16	LATCH POST	1X
17	HINGE POST	1X
18	SCREW ST4.8X20	121X
19	POSITIONING FRAME	2X
20	SUPPORTING PART	4X



INSTRUCTION OF SAFETY:

- ◆ THE DISTANCE IS ADJUSTABLE FROM 48 TO 54 INCHES (122CM TO 137CM)
- ◆ THE STAIR MUST BE INSTALLED ACCORDING TO THE INSTRUCTIONS OF THE MANUFACTURER.
- ◆ ONE PERSON AT THE SAME TIME ON THE STAIR.
- ◆ ALWAYS FACE THE STAIR TO ENTER OR COME OUT OF THE SWIMMING POOL.
- ◆ NO JUMP OR DIVE FROM THE STAIR.
- ◆ DO NOT SWIM BEHIND OR AROUND THE STAIR.

Required for the installation

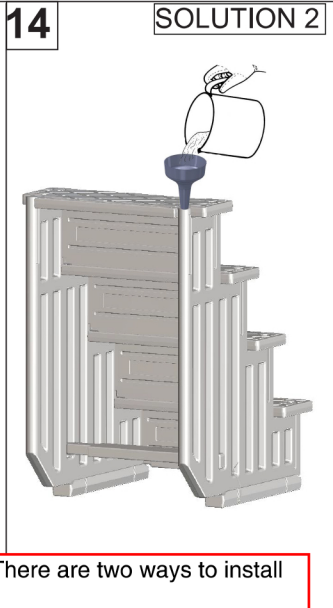
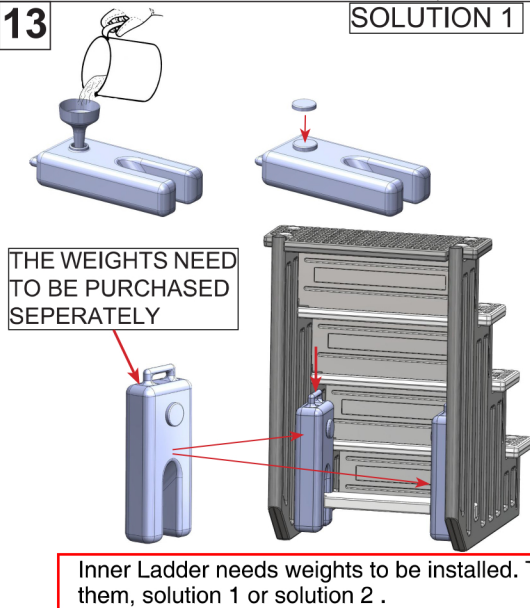
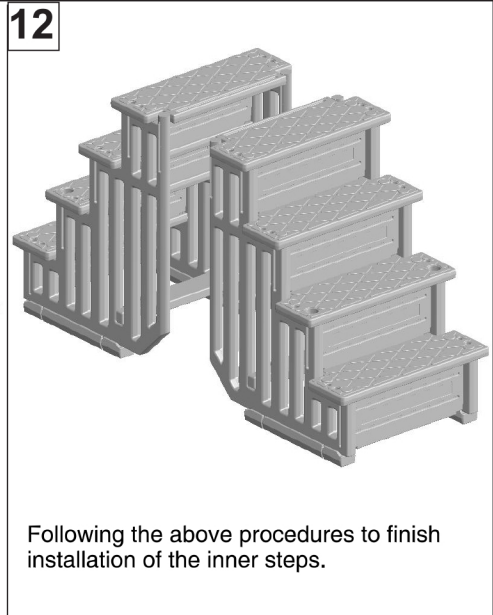
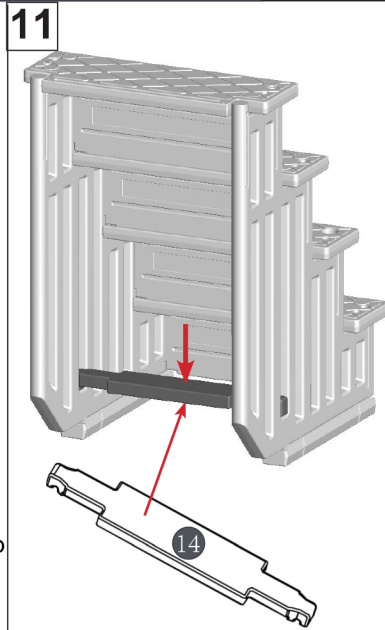
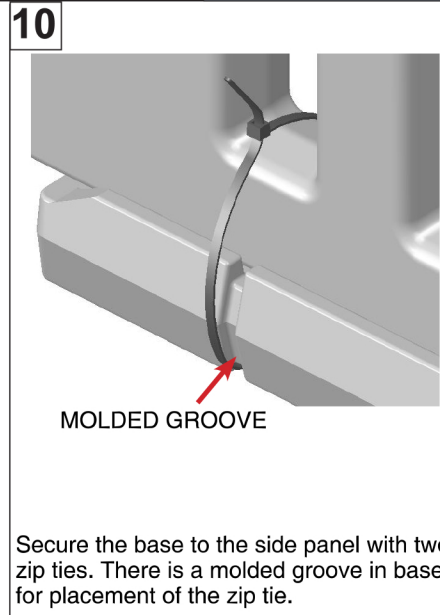
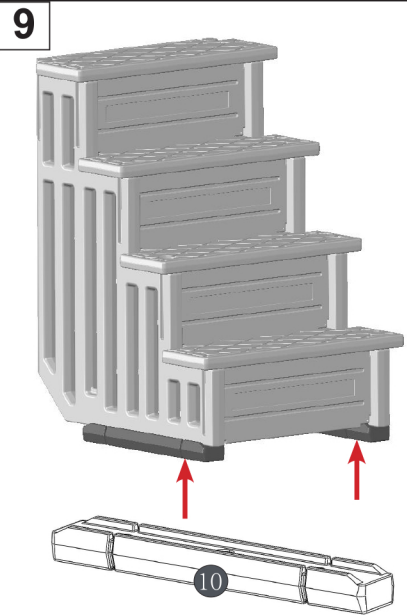


23 KG

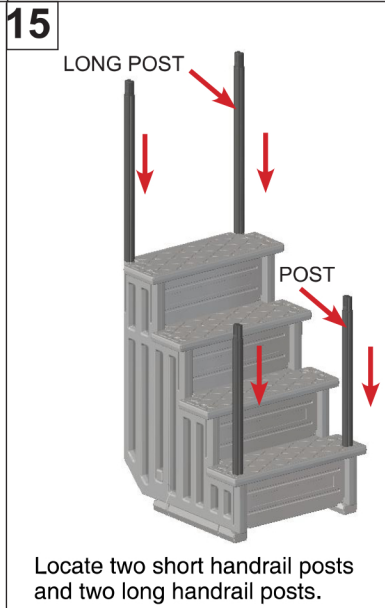
ASSEMBLY

<p>1</p> <p>For temporarily fixing</p> <p>1</p>	<p>2</p> <p>8</p>	<p>3</p> <p>8</p>	<p>4</p> <p>8</p>
<p>5</p> <p>2</p>	<p>6</p> <p>Take off the step with small holes installed at beginning. Insert the third riser.</p>	<p>7</p> <p>Use same way to install the other steps and risers.</p>	<p>8</p> <p>9</p>

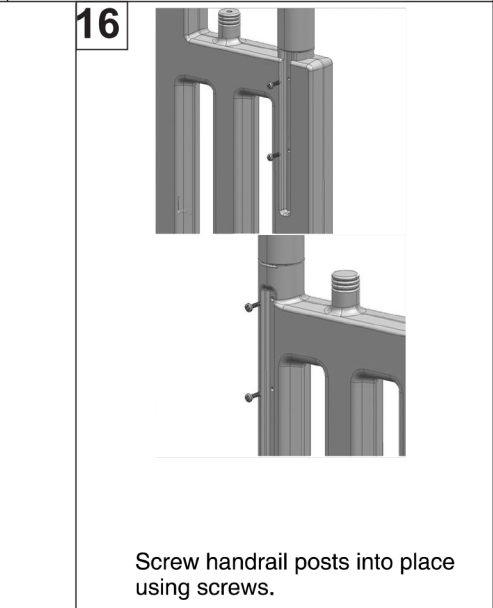
ASSEMBLY



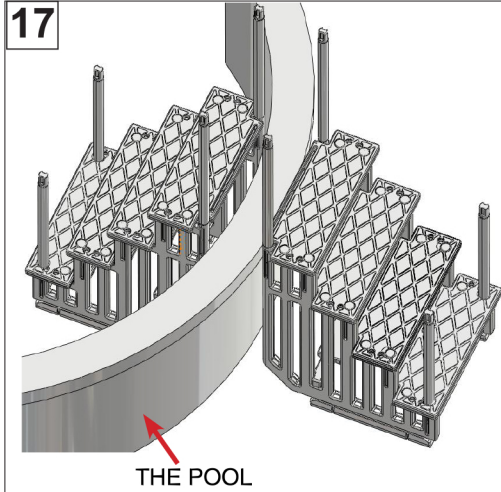
Inner Ladder needs weights to be installed. There are two ways to install them, solution 1 or solution 2 .



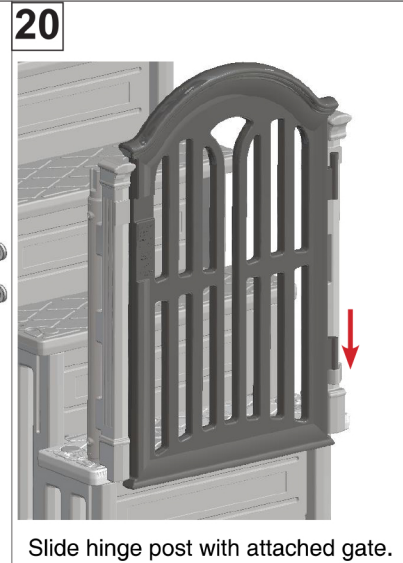
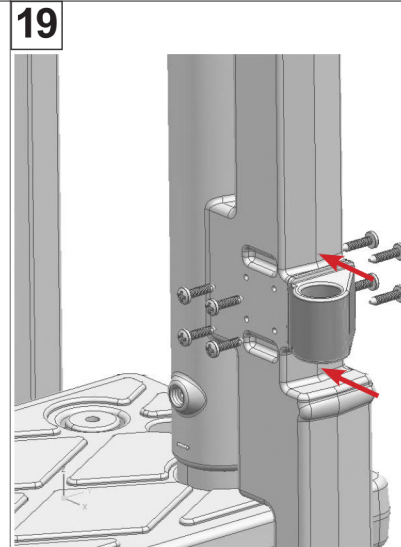
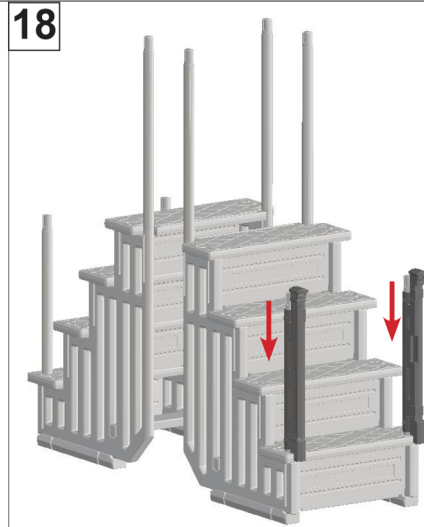
Locate two short handrail posts and two long handrail posts.



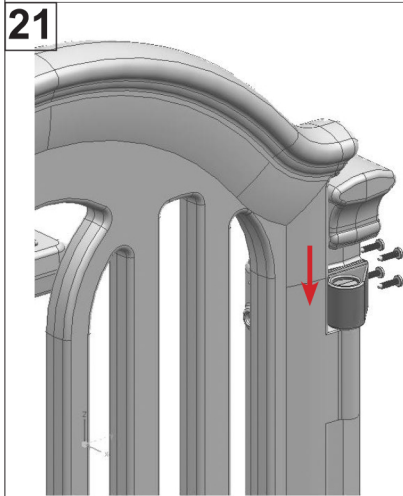
ASSEMBLY



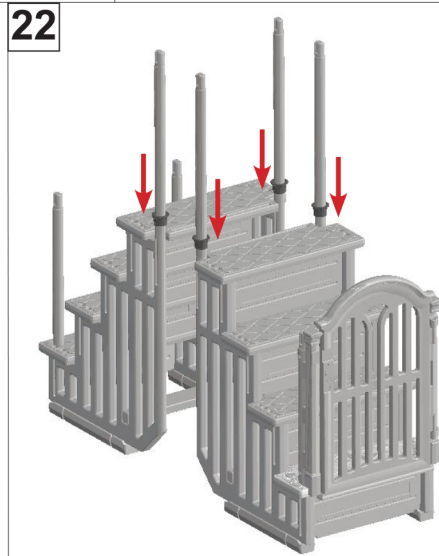
Place the assembled ladders into the pool.



Slide hinge post with attached gate.



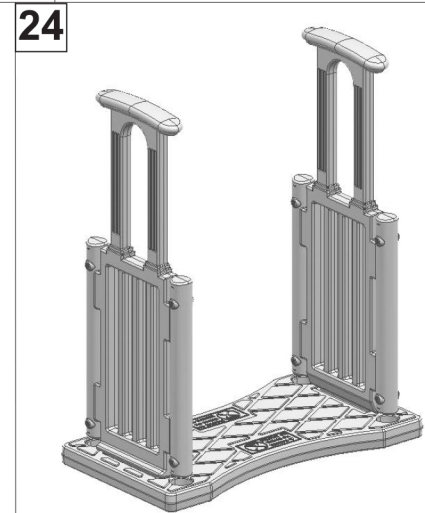
Install the positioning frame, and secure with 8pcs screws.



Insert supporting parts of bridge step.



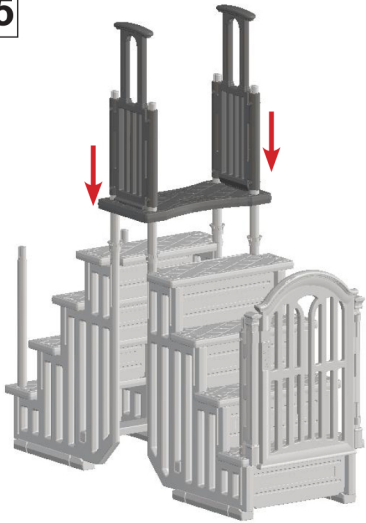
Insert the connection rail to the bridge step.



Install the second connection rail to also.

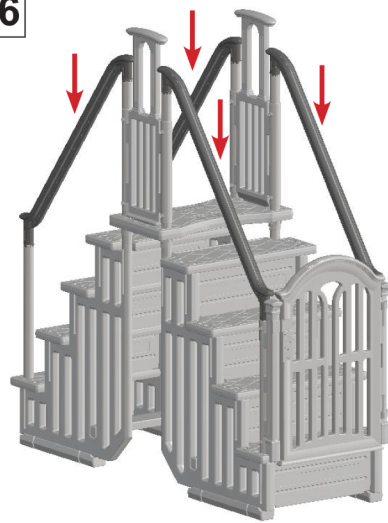
ASSEMBLY

25



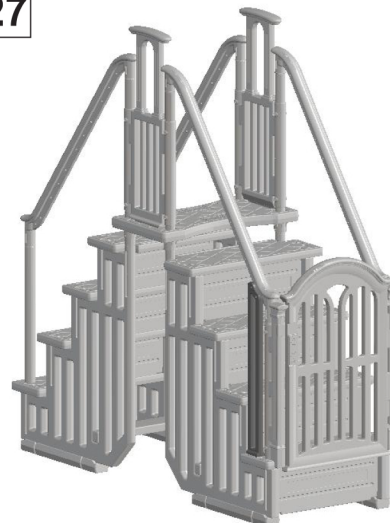
Install the crossover.

26



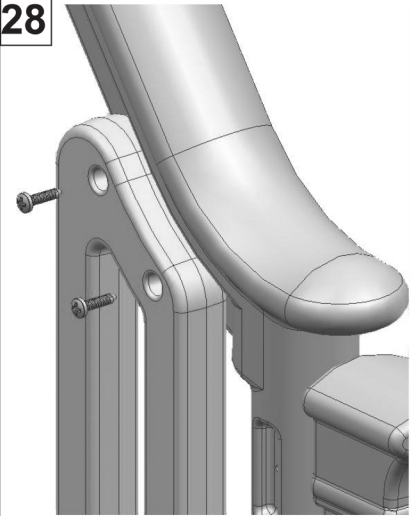
Install four handrails.

27



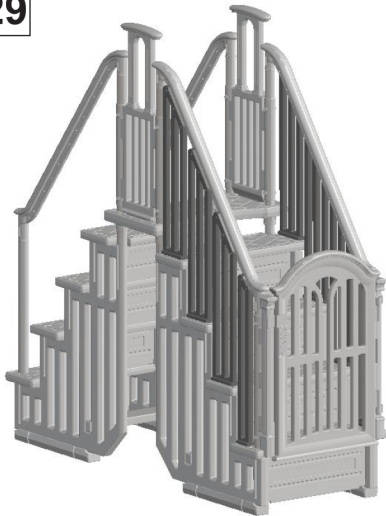
Install small supporting panel for door.

28



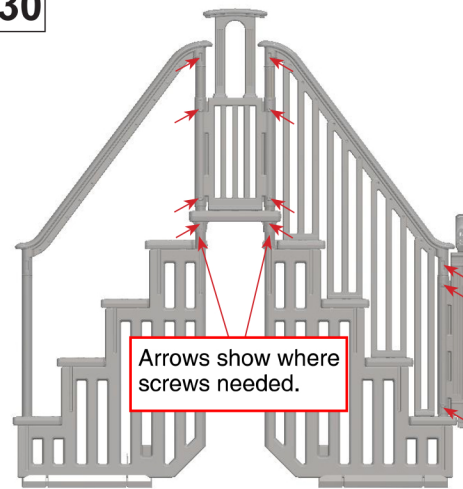
Use screws for fixing.

29



Use the same way to install other supporting panels.

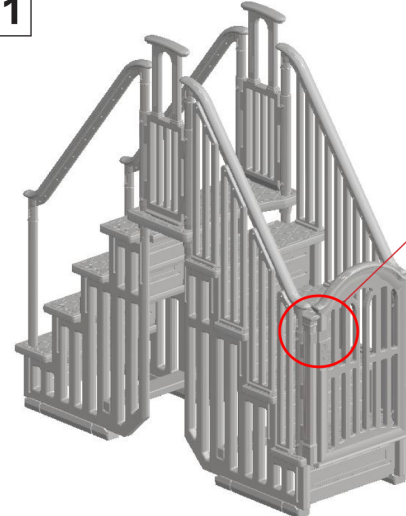
30



Arrows show where screws needed.

Secure with all screws.

31



Install gate latch assembly.

