

Installation (91026)

1. For optimum skimming action, skimmer should be placed relative to prevailing wind and water direction. Consult pool manufacturer's instruction for placement recommendations.
2. Drill and cut out wall panel section per dimensions. (The dimension's use according to figure 2.)
3. Place gasket on skimmer face, making sure holes in gasket align with holes in skimmer face. (A very light application of adhesive cement will assist in holding gasket in place).
4. Align skimmer face and gasket with drilled panel holes with the two pan head securing screws.
5. If vinyl liner pool, install liner before proceeding with Step 6.
6. *Align second gasket and face plate and fasten tightly to skimmer face with screws. If vinyl liner pool, pierce liner through face plate holes one at a time prior to inserting screws. Screws secure through 1. Face Plate; 2. Gasket; 3. Liner; 4. Wall Panel; 5. Gasket; 6. Into Skimmer Face.*
7. If vinyl liner pool, cut out liner along inside edges of face plate.

Figure. 2

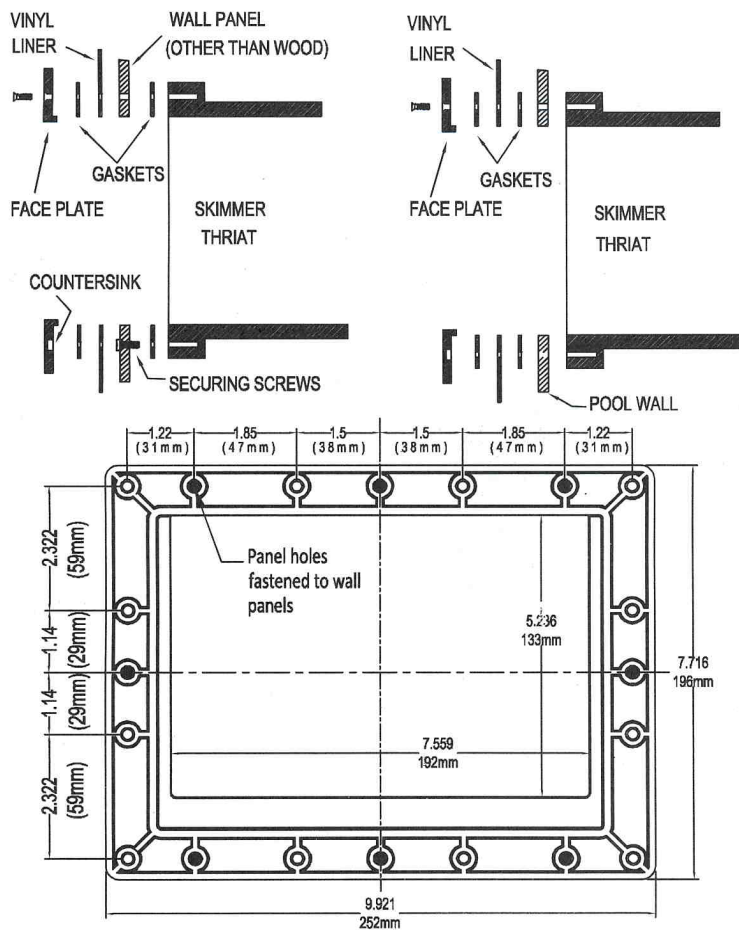
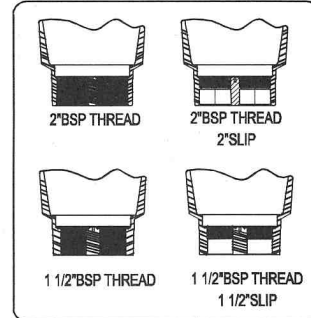
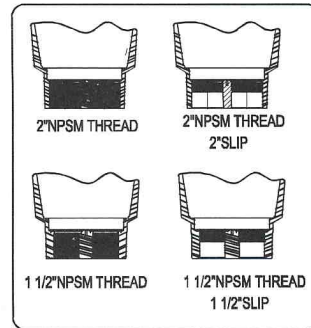
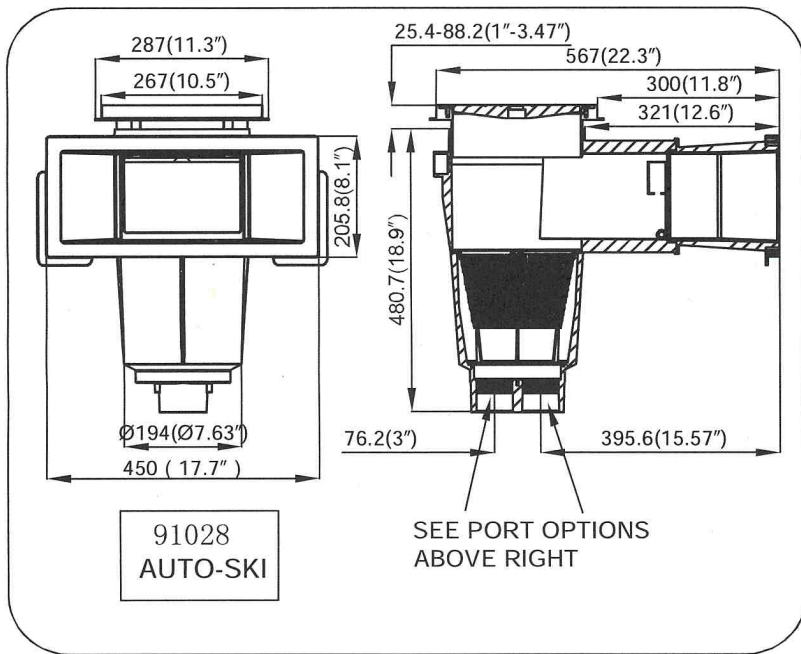
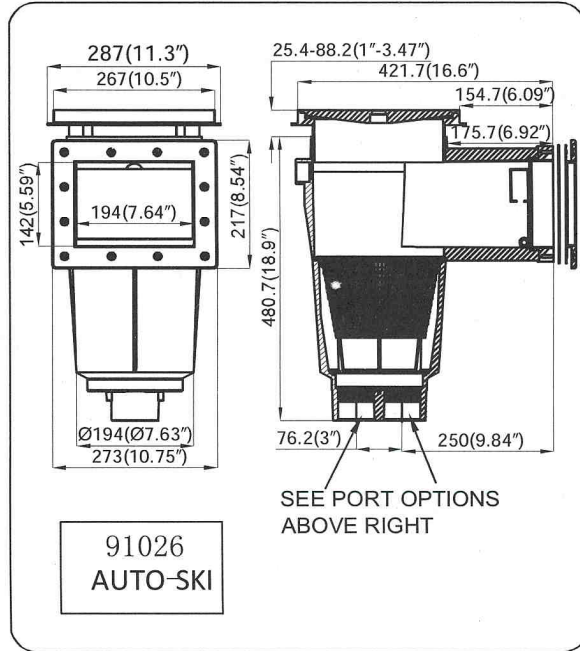
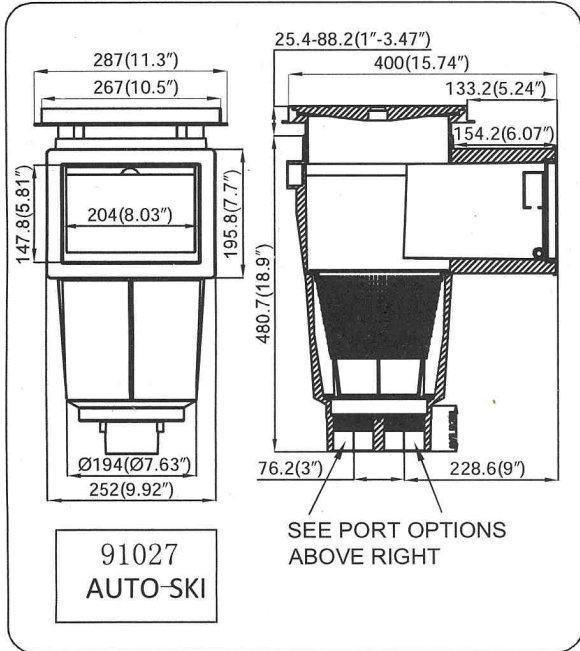
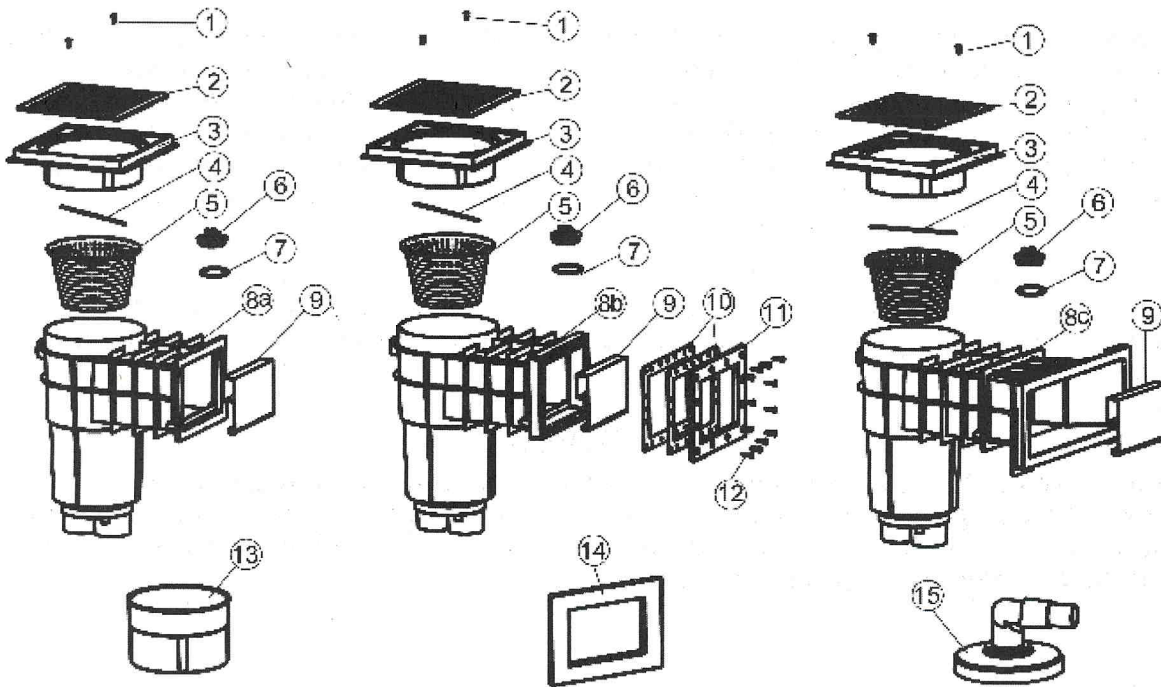


Figure. 3
Dimensions



PARTS AND ACCESSORIES



Number	Item no:	Description	Quantity Including
1.	65223001	SCREW M5*16	2
2.	91920	COVER	1
3.	649102605	ADJUSTING COLLAR	1
4.	65759009	BASKET HANDIE	1
5.	649102603	BASKET	1
6.	649102607	2" PLUG	1
7.	6543103080	O-RING	1
8a	649102671	CONCRETE BODY	1
8b	949102672	PVC BODY	1
8c	649102675	WIDE MOUTH CONCRETE BODY	1
9.	649102674	WEIR	1
10.	649102608	STANDARD GASKET	2
11.	81904	STANDARD FACE PLATE	1
12.	652110100	SCREW ST5.5*25	12
Optional Accessories			
13.	649102609	EXTENSION COLLAR	-
14.	91907	FACEPLATE(91026)	-
15.	49102611003	VACUUM PLATE	-

OPERATION

To obtain best skimmer performance, the pool's hydraulic system must be designed to flow from 10 GPM to 55 GPM per skimmer. This ensures an adequate flow of water over the skimmer's weir. The amount of flow to the pump or from the main drain / equalizer line is regulated by the trimmer plate (Figure.3) to adjust the flow to the pump move trimmer plate over pump outlet port until desired flow is achieved, to adjust the flow of main drain/ equalizer, move trimmer plate over main drain/equalizer inlet port until desired flow is achieved.

The water level of the pool should be maintained at approximately half way up the skimmer opening. The water level should not be allowed to get within 1" of the top or bottom of the opening. If the water level drops too far, air might enter the hydraulic system..

WARNING

Air entering the hydraulic system could become trapped and pressurized in the system. Trapped air and improperly closed filters, pumps, chlorinators or other equipment could cause the equipment to separate, causing serious personal injury and /or major property damage.

TROUBLESHOOTING GUIDE

Problems	Cause	Remedy
Pool surface not clean, inadequate skimming effect.	Skimmer basket obstructed.	Clean skimmer basket.
	Inadequate pool water level.	Raise/lower pool level to recommended heights.
	Inadequate pool water circulation.	Position pool water return fittings increase surface circulation.
Pool surface clean, bottom dirty.	Main drain obstructed.	Clean main drain. Remove obstruction from main drain line.
	Inadequate pool water circulation.	Position pool water return fittings to increase circulation at bottom of pool.
Air returning to pool.	Low pool water level.	Raise pool water level to recommended height.